



US00D672083S

(12) **United States Design Patent**
Rosenzweig

(10) **Patent No.:** **US D672,083 S**

(45) **Date of Patent:** **** Dec. 4, 2012**

(54) **LAMP**

(75) **Inventor:** **Robert W. Rosenzweig**, Summerville,
SC (US)

(73) **Assignee:** **AAMSCO Lighting, Inc.**, Summerville,
NC (US)

(**) **Term:** **14 Years**

(21) **Appl. No.:** **29/397,014**

(22) **Filed:** **Jul. 11, 2011**

(51) **LOC (9) Cl.** **26-03**

(52) **U.S. Cl.** **D26/92**

(58) **Field of Classification Search** D26/75-78,
D26/80, 87, 92; 362/133, 217.01, 217.02,
362/217.04, 217.05, 217.06, 217.07, 217.1,
362/218, 294, 373, 432
See application file for complete search history.

(56) **References Cited**

U.S. PATENT DOCUMENTS

D127,397 S *	5/1941	Johnston	D26/76
D128,786 S *	8/1941	McCann	D26/90
D130,813 S *	12/1941	Carter, Jr.	D26/77
D140,504 S *	3/1945	Gleason	D26/76
D240,549 S *	7/1976	Eftekhar	D26/78
D295,329 S *	4/1988	Roos et al.	D26/75

D332,502 S *	1/1993	Roos	D26/78
D371,858 S *	7/1996	Waldmann	D26/76
D381,760 S *	7/1997	Costa	D26/76
D387,462 S *	12/1997	Huang	D26/76
D438,326 S *	2/2001	Kan	D26/76
D603,079 S *	10/2009	Toot et al.	D26/76
D633,642 S *	3/2011	Wauters	D26/85
D637,338 S *	5/2011	Kong et al.	D26/88
8,104,919 B2 *	1/2012	Wung et al.	362/217.12
8,142,047 B2 *	3/2012	Acampora et al.	362/217.01
D658,798 S *	5/2012	Hillard	D26/51

* cited by examiner

Primary Examiner — Clare E Heflin

(74) *Attorney, Agent, or Firm* — Nixon & Vanderhye PC

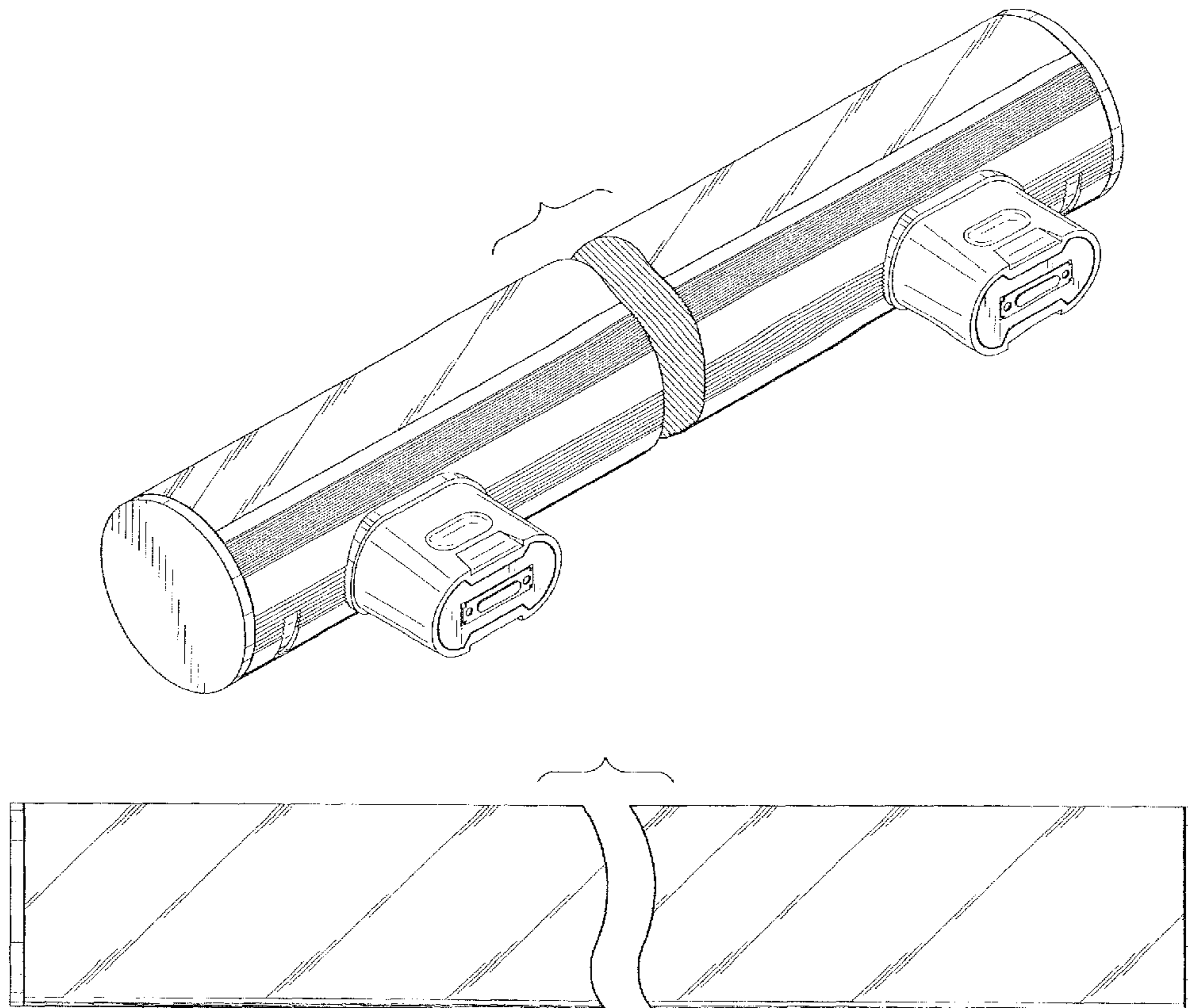
(57) **CLAIM**

The ornamental design for a lamp, as shown and described.

DESCRIPTION

FIG. 1 is a perspective view of the lamp showing my new design with parts broken away to depict non-specific length; FIG. 2 is a front elevational view thereof; FIG. 3 is a rear elevational view thereof; FIG. 4 is a top elevational view thereof; FIG. 5 is a bottom elevational view thereof; FIG. 6 is an elevational view of one side thereof, the other side being the same; and, FIG. 7 is an enlarged sectional view taken along line 7-7 in FIG. 2.

1 Claim, 4 Drawing Sheets



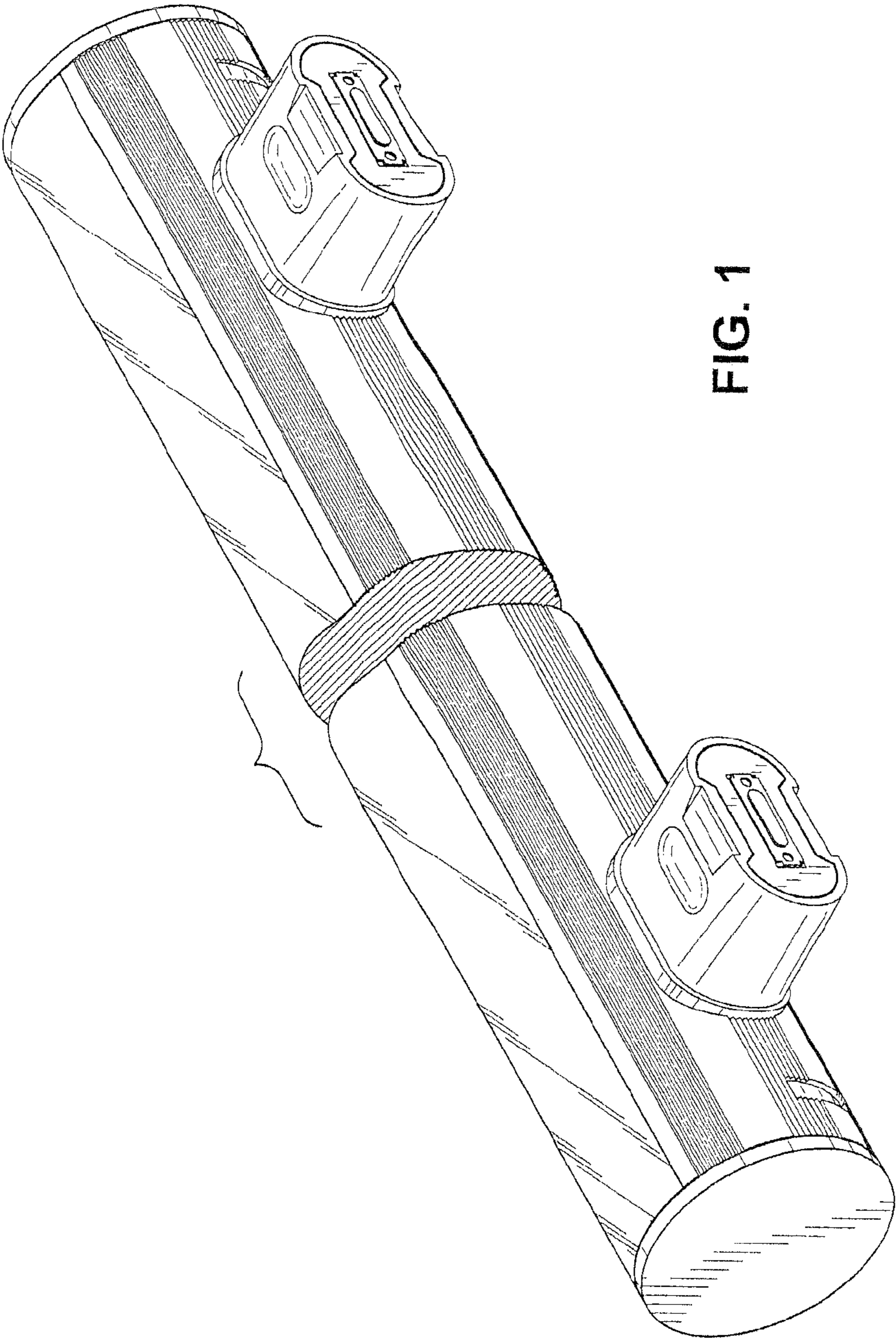
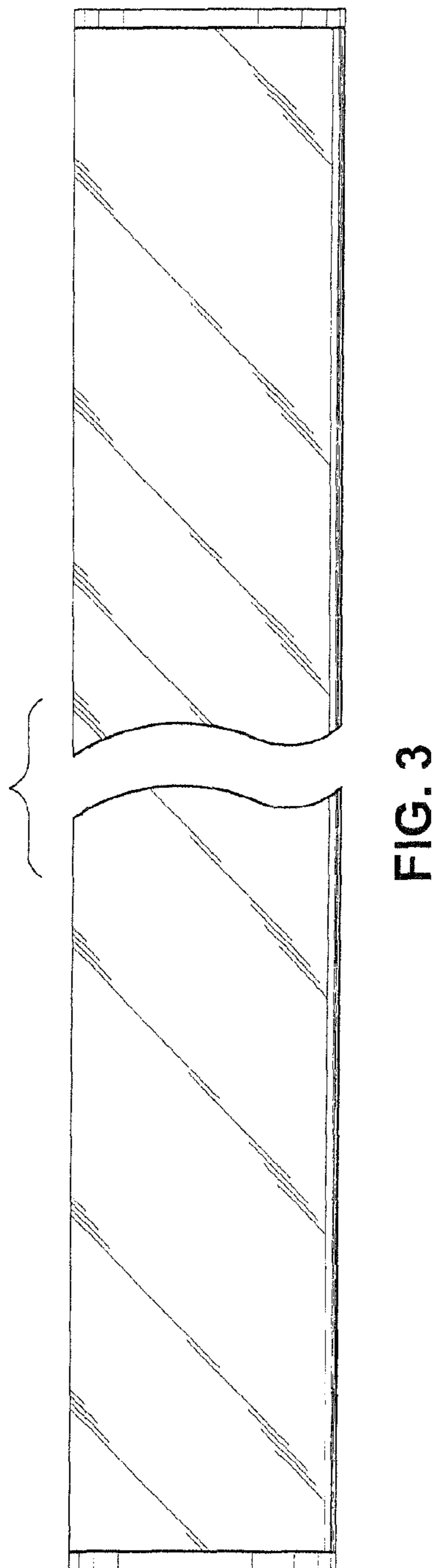
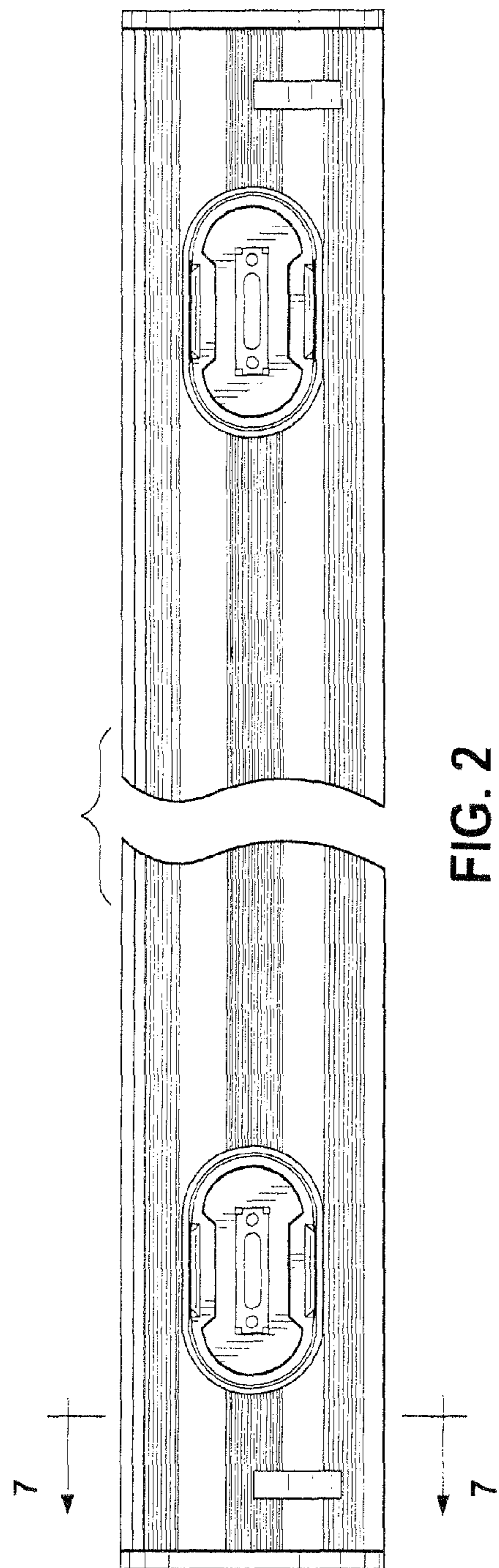


FIG. 1



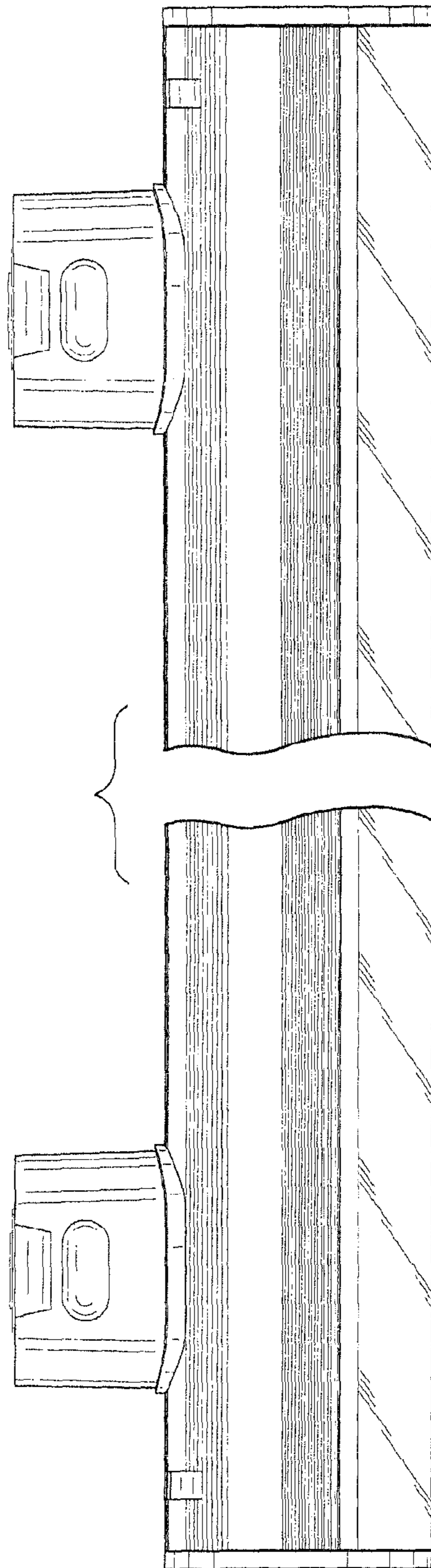
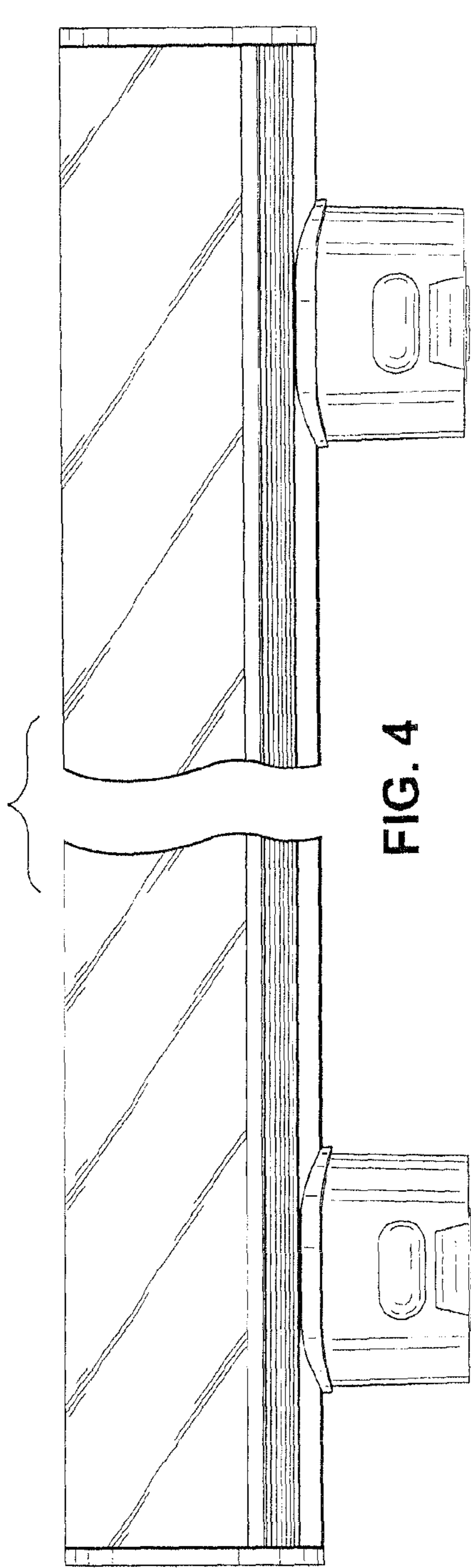


FIG. 4

FIG. 5

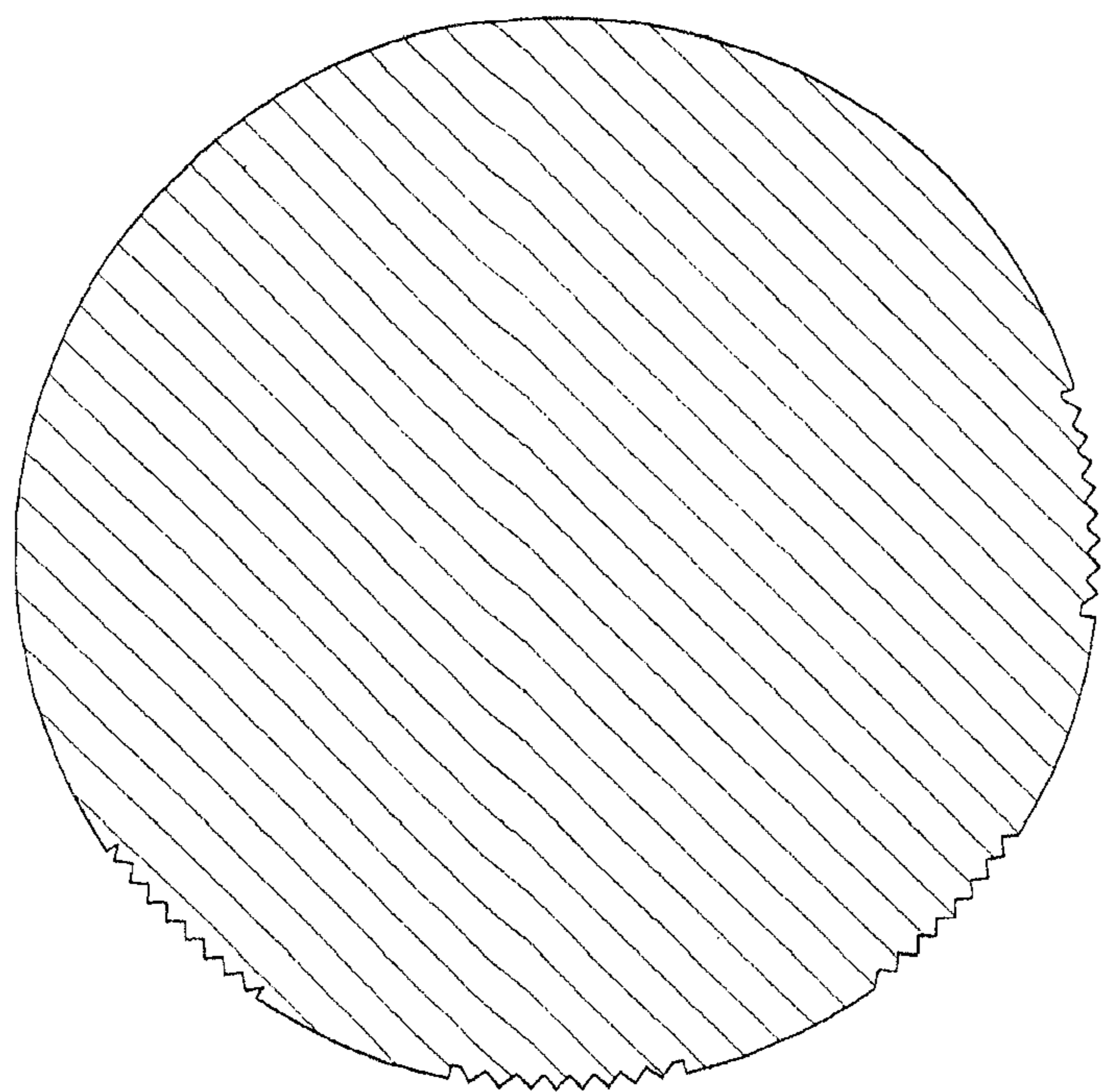


FIG. 7

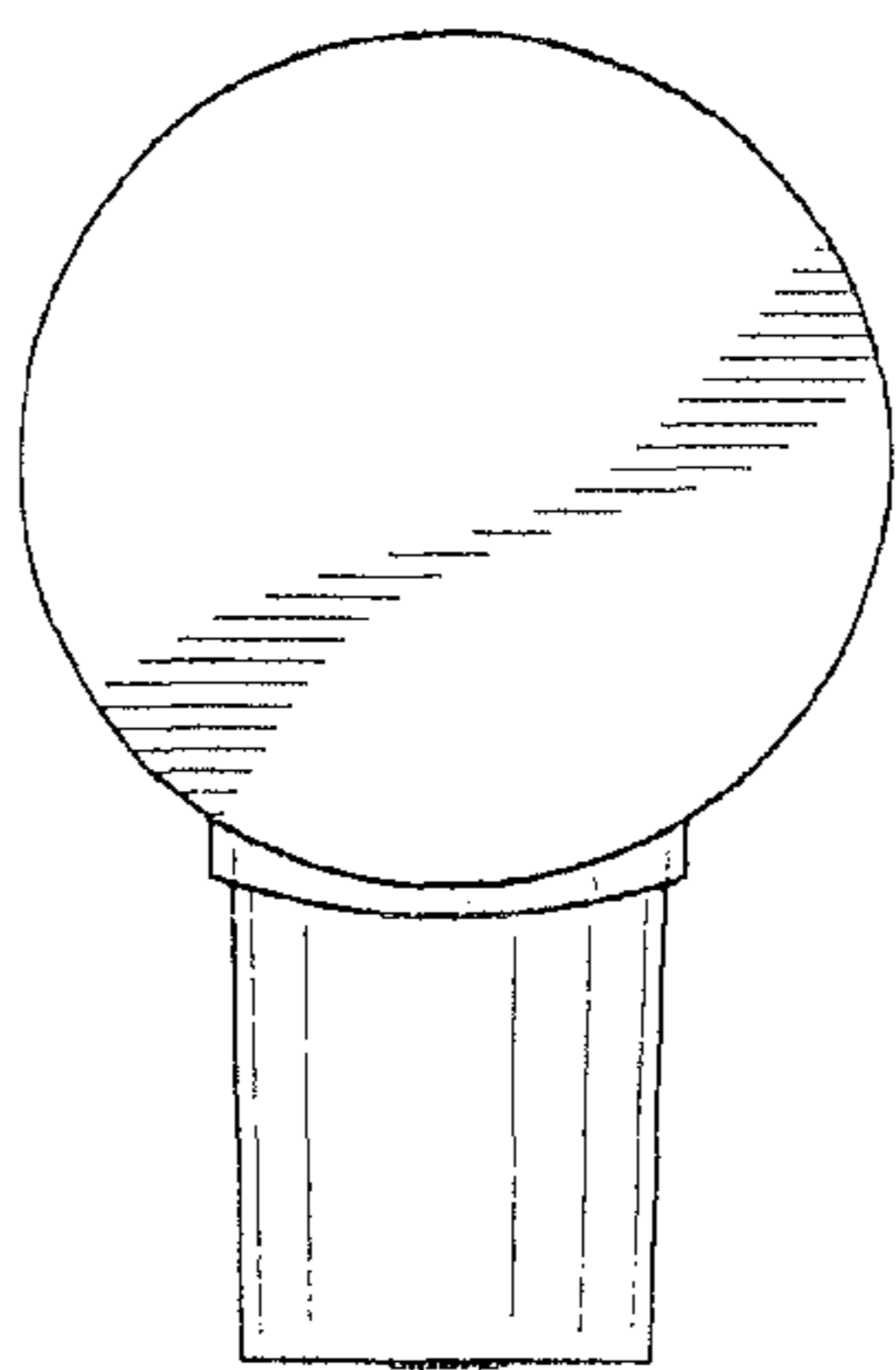


FIG. 6