



US00D672078S

(12) **United States Design Patent**
Lui et al.

(10) **Patent No.:** **US D672,078 S**
(45) **Date of Patent:** **** Dec. 4, 2012**

(54) **ILLUMINATION DEVICE**

(75) Inventors: **Min-Jet Lui**, Miao-Li (TW);
Sung-Hsiang Yang, Miao-Li (TW);
Sheng-Hsiang Kung, Miao-Li (TW)

(73) Assignee: **Foxsemicon Integrated Technology, Inc.**, Chu-Nan, Miao-Li Hsien (TW)

(**) Term: **14 Years**

(21) Appl. No.: **29/419,791**

(22) Filed: **May 1, 2012**

(51) **LOC (9) Cl.** **26-05**

(52) **U.S. Cl.** **D26/71; D26/92**

(58) **Field of Classification Search** D26/61,
D26/63, 65, 67-71, 85, 92; 362/249.01-249.06,
362/294, 373, 431

See application file for complete search history.

(56) **References Cited**

U.S. PATENT DOCUMENTS

2,916,609	A	*	12/1959	Barchmann	362/374
D198,812	S	*	8/1964	Pettengill	D26/71
D527,134	S	*	8/2006	Bagen	D26/71
D555,279	S	*	11/2007	Schneider	D26/71
D570,521	S	*	6/2008	Belleau	D26/85
D599,942	S	*	9/2009	Zheng	D26/71

D614,790	S	*	4/2010	Nibaldi	D26/71
7,695,163	B2	*	4/2010	Yamada et al.	362/294
D629,152	S	*	12/2010	Laporte	D26/120
D629,953	S	*	12/2010	Laporte	D26/71
7,922,372	B2	*	4/2011	Li	362/373
D648,884	S	*	11/2011	Tortel	D26/71
D652,978	S	*	1/2012	Boissevain et al.	D26/71

* cited by examiner

Primary Examiner — Clare E Heflin

(74) *Attorney, Agent, or Firm* — Altis Law Group, Inc.

(57) **CLAIM**

The ornamental design for an illumination device, as shown and described.

DESCRIPTION

FIG. 1 is a perspective view of an illumination device showing our new design.

FIG. 2 is a front elevational view of FIG. 1.

FIG. 3 is a rear elevational view of FIG. 1.

FIG. 4 is a left-side, elevational view of FIG. 1.

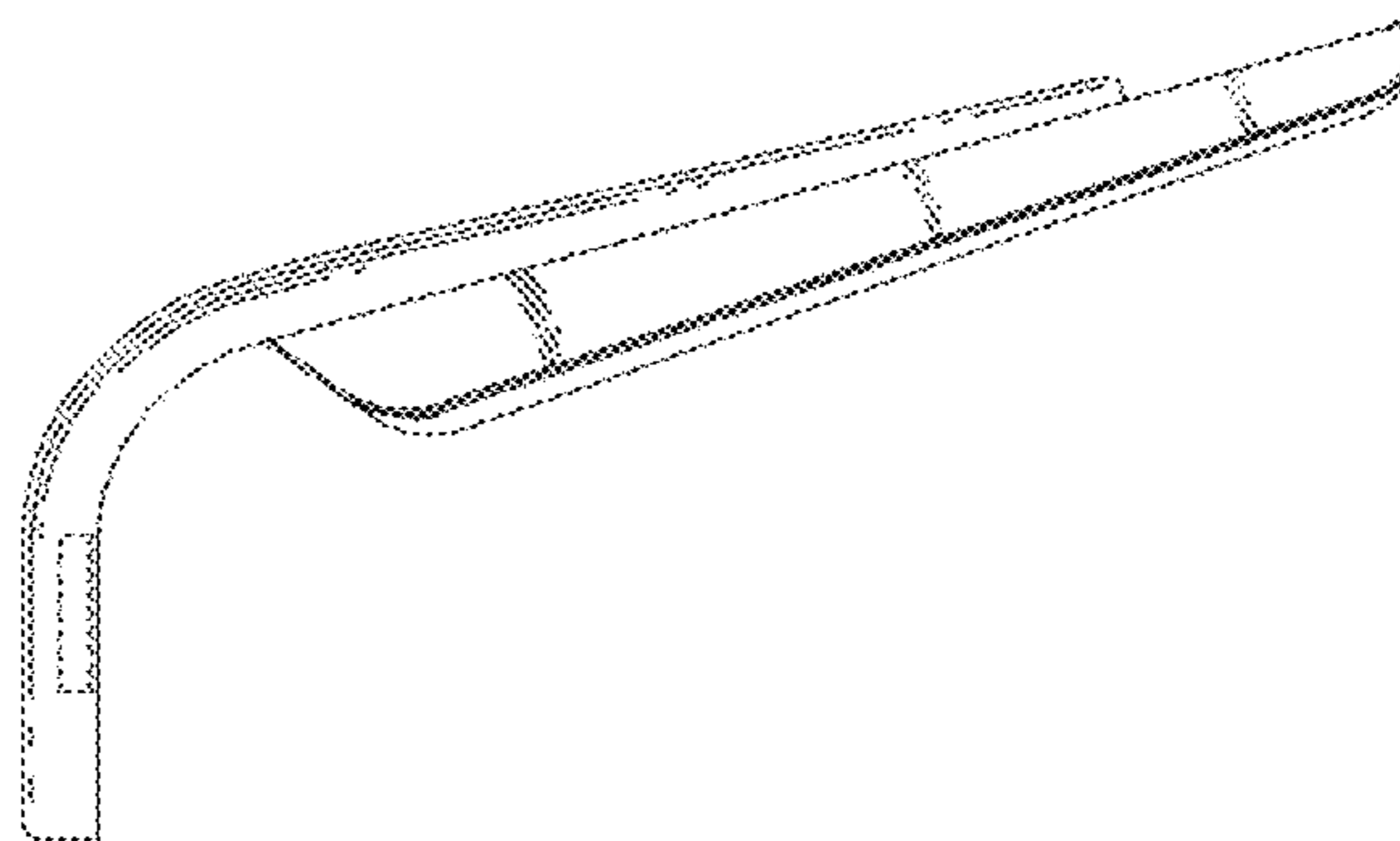
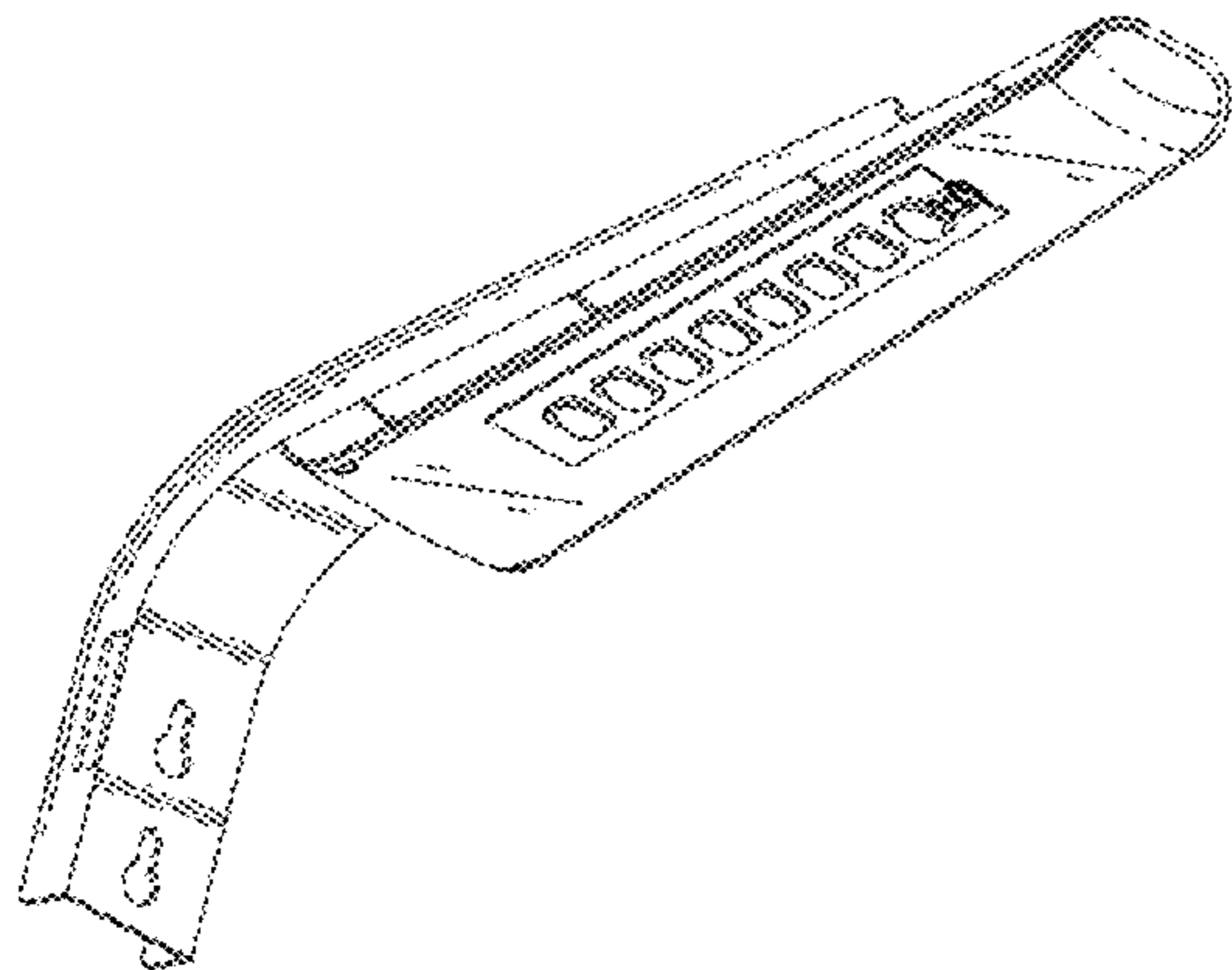
FIG. 5 is a right-side, elevational view of FIG. 1.

FIG. 6 is a top plan view of FIG. 1; and,

FIG. 7 is a bottom plan view of FIG. 1.

The broken lines are for illustrative purpose only and they form no part of the claimed design.

1 Claim, 7 Drawing Sheets



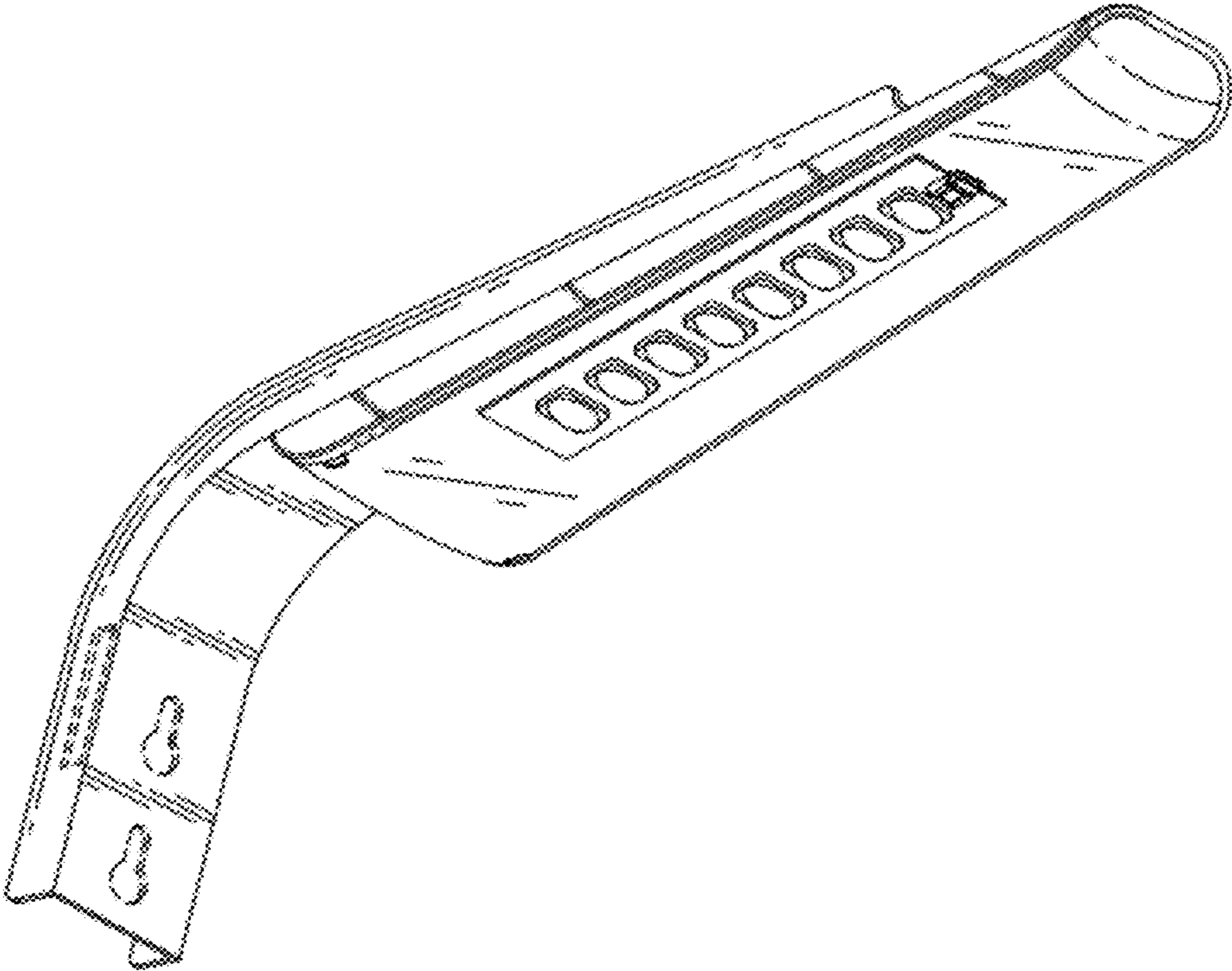


FIG. 1

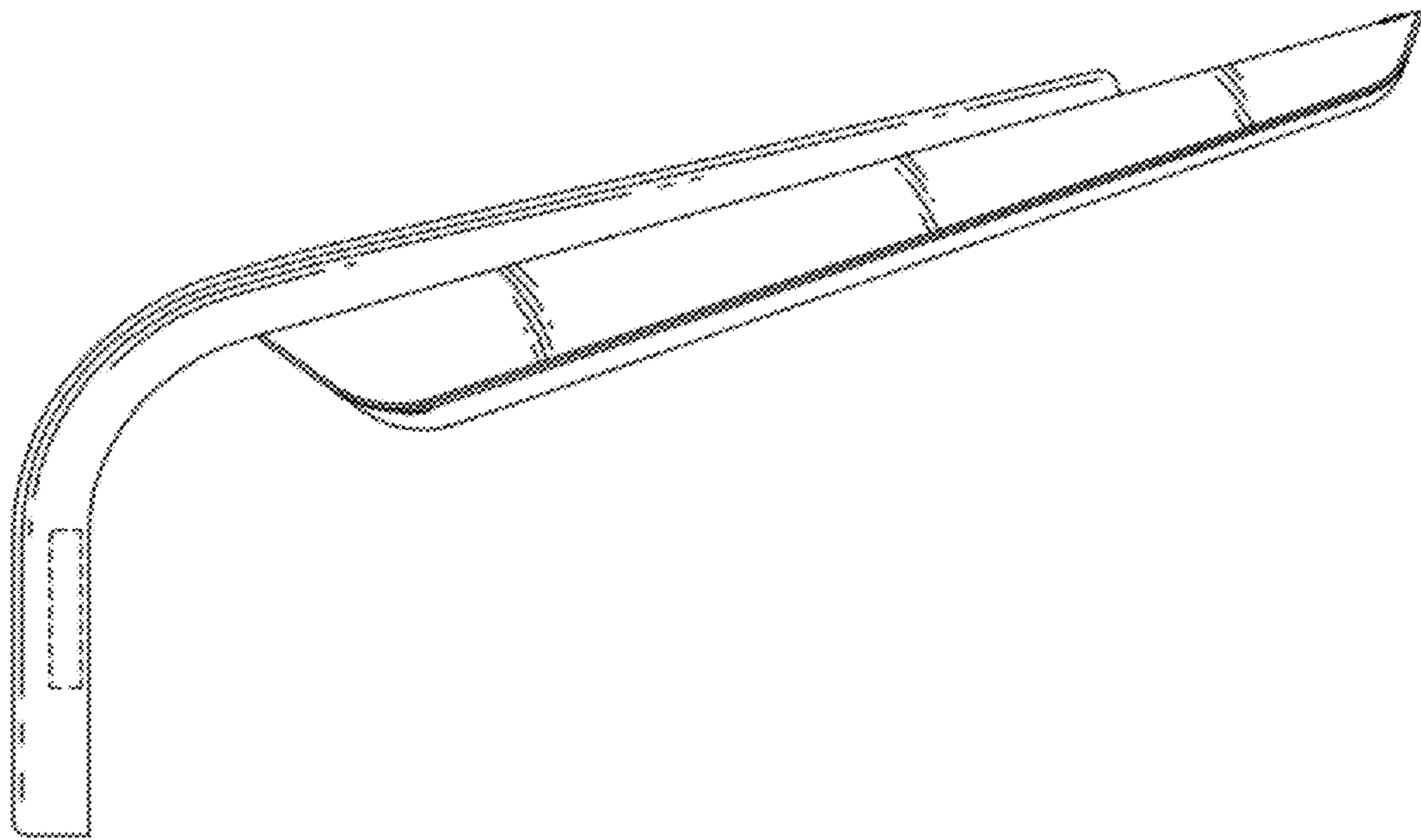


FIG. 2

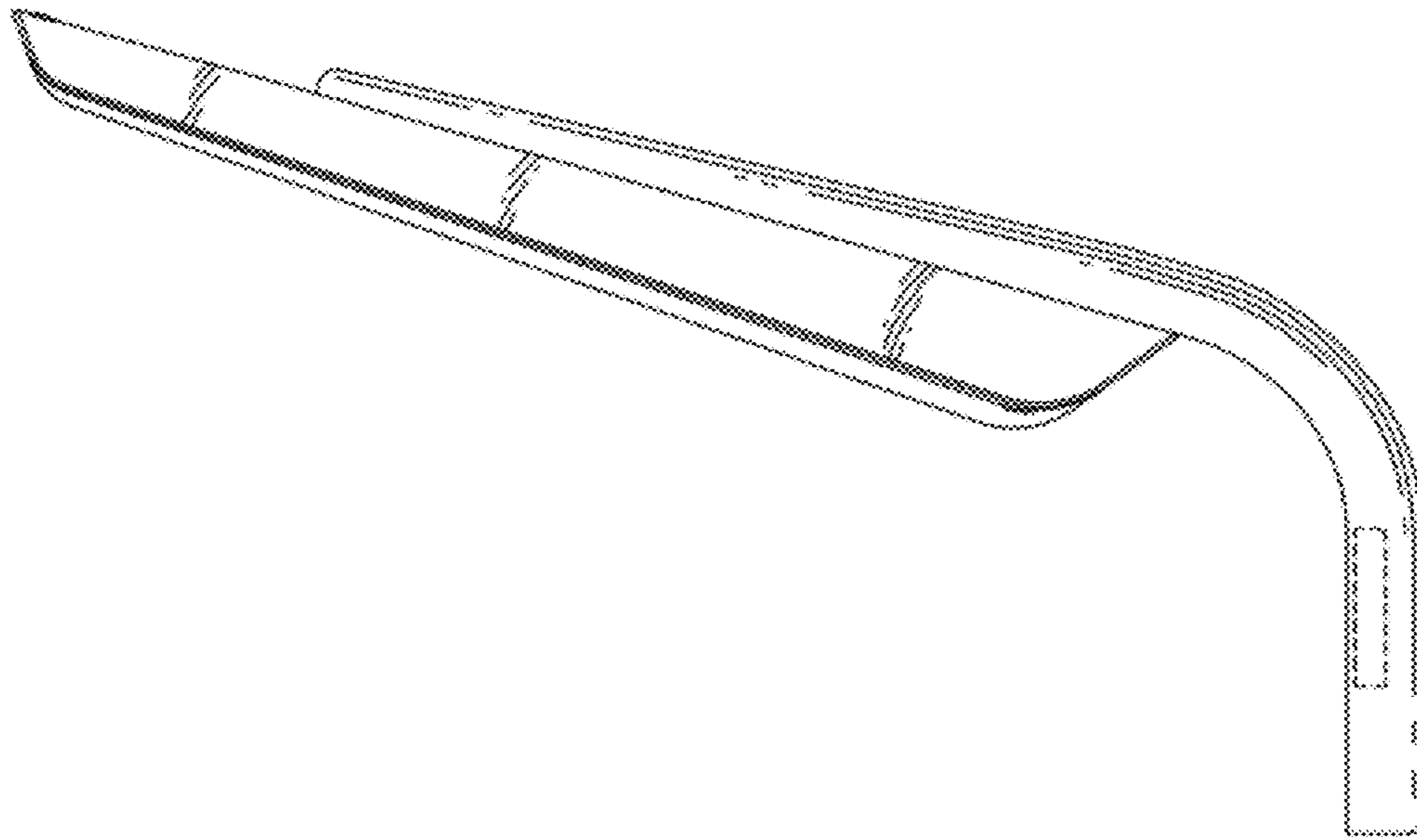


FIG. 3

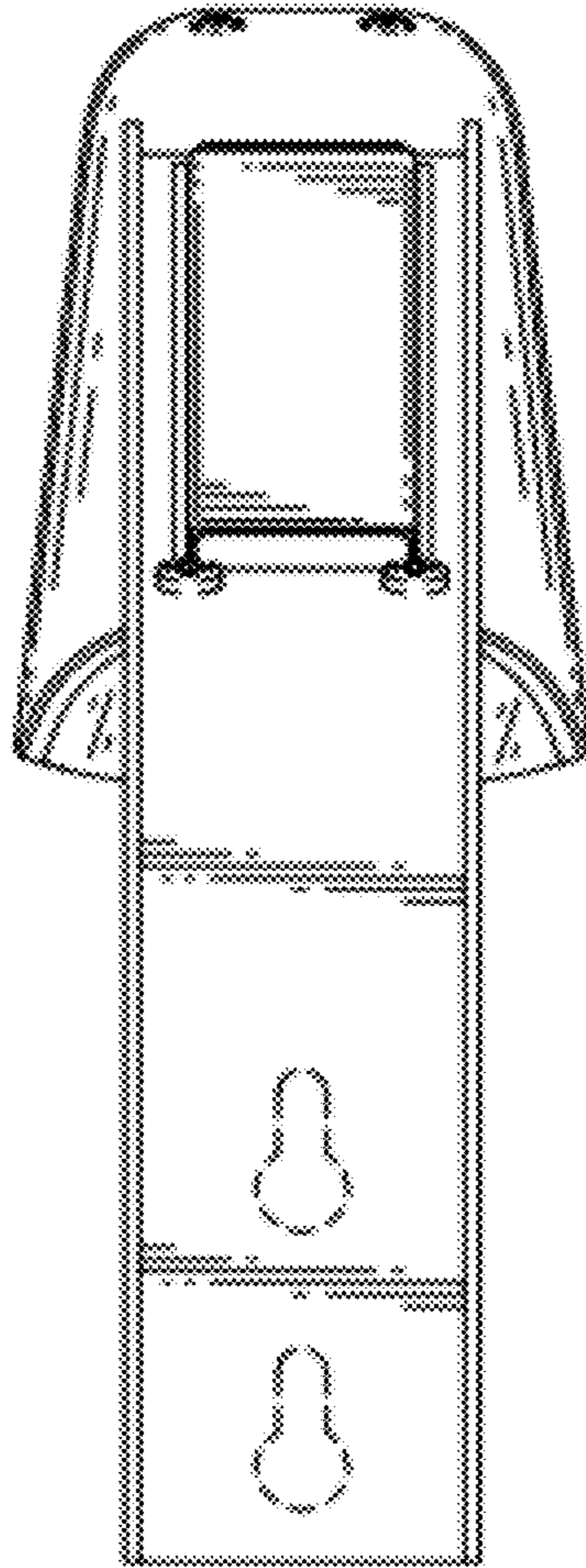


FIG. 4

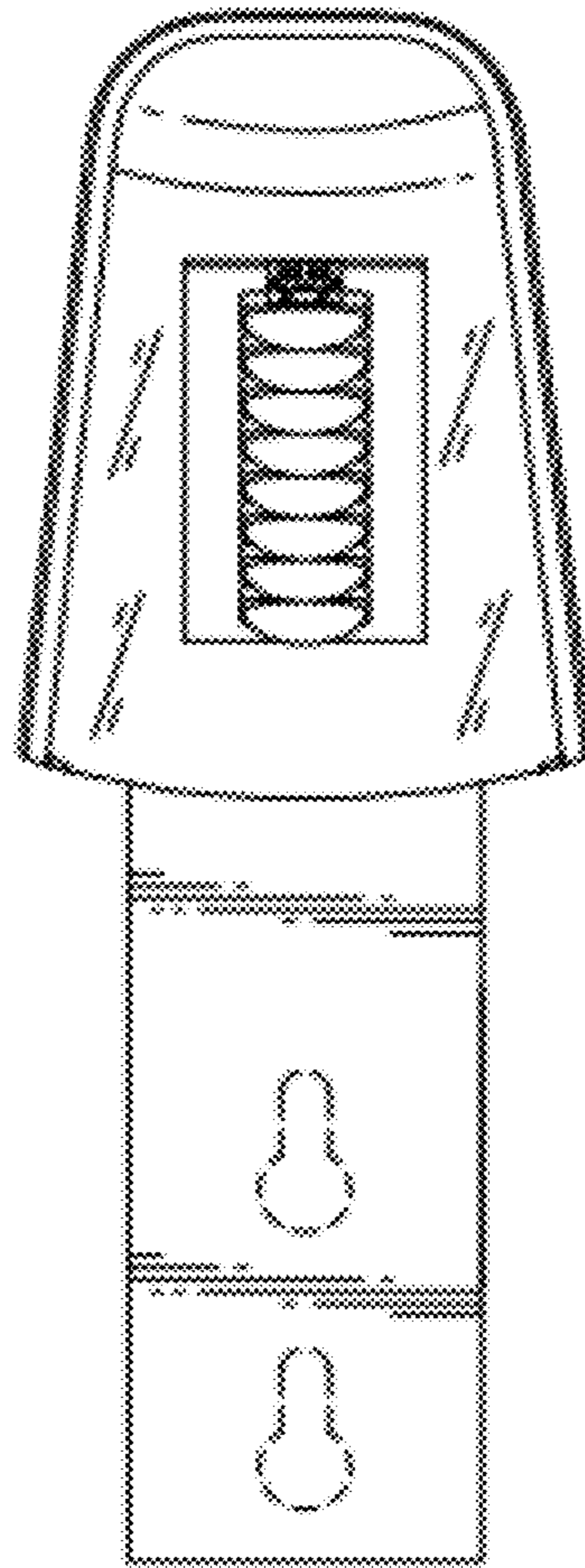


FIG. 5

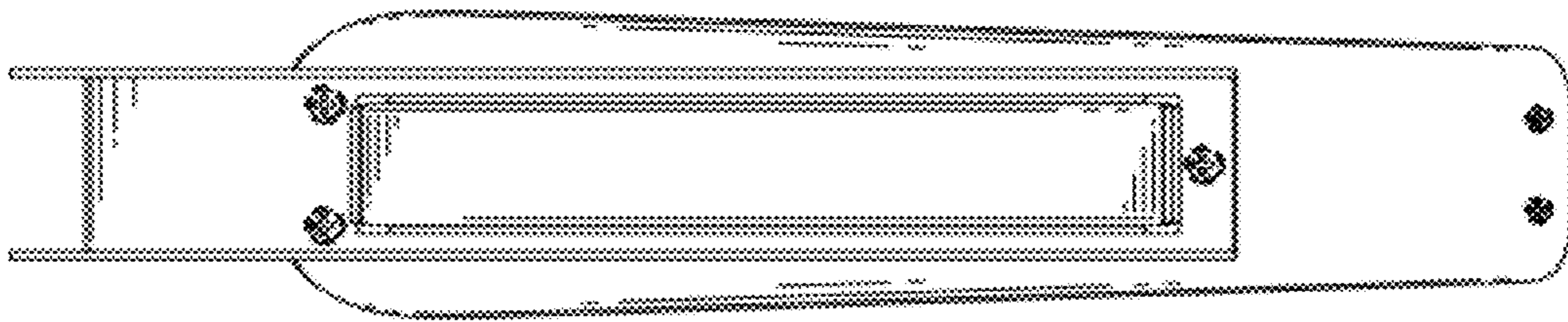


FIG. 6

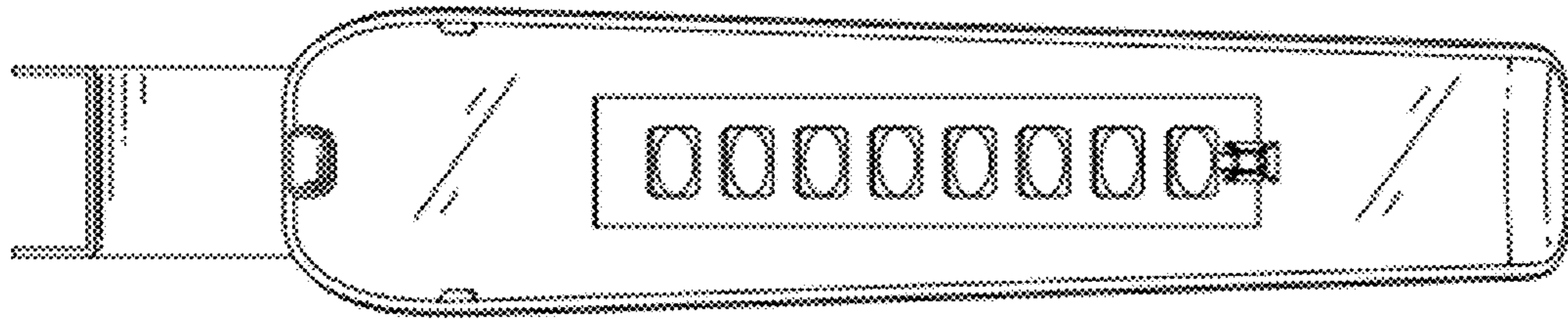


FIG. 7