



US00D672077S

(12) **United States Design Patent**  
**Cai et al.**

(10) **Patent No.:** **US D672,077 S**  
(45) **Date of Patent:** **\*\* Dec. 4, 2012**

(54) **LED LAMP**

(75) Inventors: **Qian-Jin Cai**, Shenzhen (CN); **You-Xue Liu**, Shenzhen (CN)

(73) Assignee: **Foxconn Technology Co., Ltd.**,  
Tu-Cheng, New Taipei (TW)

(\*\*) Term: **14 Years**

(21) Appl. No.: **29/415,151**

(22) Filed: **Mar. 8, 2012**

(51) **LOC (9) Cl.** ..... **26-05**

(52) **U.S. Cl.** ..... **D26/71**

(58) **Field of Classification Search** ..... D26/61,  
D26/63, 65, 67-71, 85, 92; 362/249.01-249.06,  
362/294, 373, 431

See application file for complete search history.

(56) **References Cited**

**U.S. PATENT DOCUMENTS**

D209,081 S \* 10/1967 Netland ..... D26/71  
D577,455 S \* 9/2008 Zheng et al. .... D26/71

D599,941 S \* 9/2009 Wang et al. .... D26/71  
D599,942 S \* 9/2009 Zheng ..... D26/71  
D609,383 S \* 2/2010 Chang ..... D26/71  
7,695,163 B2 \* 4/2010 Yamada et al. .... 362/294  
D654,203 S \* 2/2012 Kuan et al. .... D26/71  
D660,494 S \* 5/2012 Wang et al. .... D26/71

\* cited by examiner

*Primary Examiner* — Clare E Heflin

(74) *Attorney, Agent, or Firm* — Altis Law Group, Inc.

(57) **CLAIM**

The ornamental design for a LED lamp, as shown.

**DESCRIPTION**

FIG. 1 is a perspective view of a LED (light emitting diode) lamp showing our new design.

FIG. 2 is a front elevational view thereof

FIG. 3 is a rear elevational view thereof.

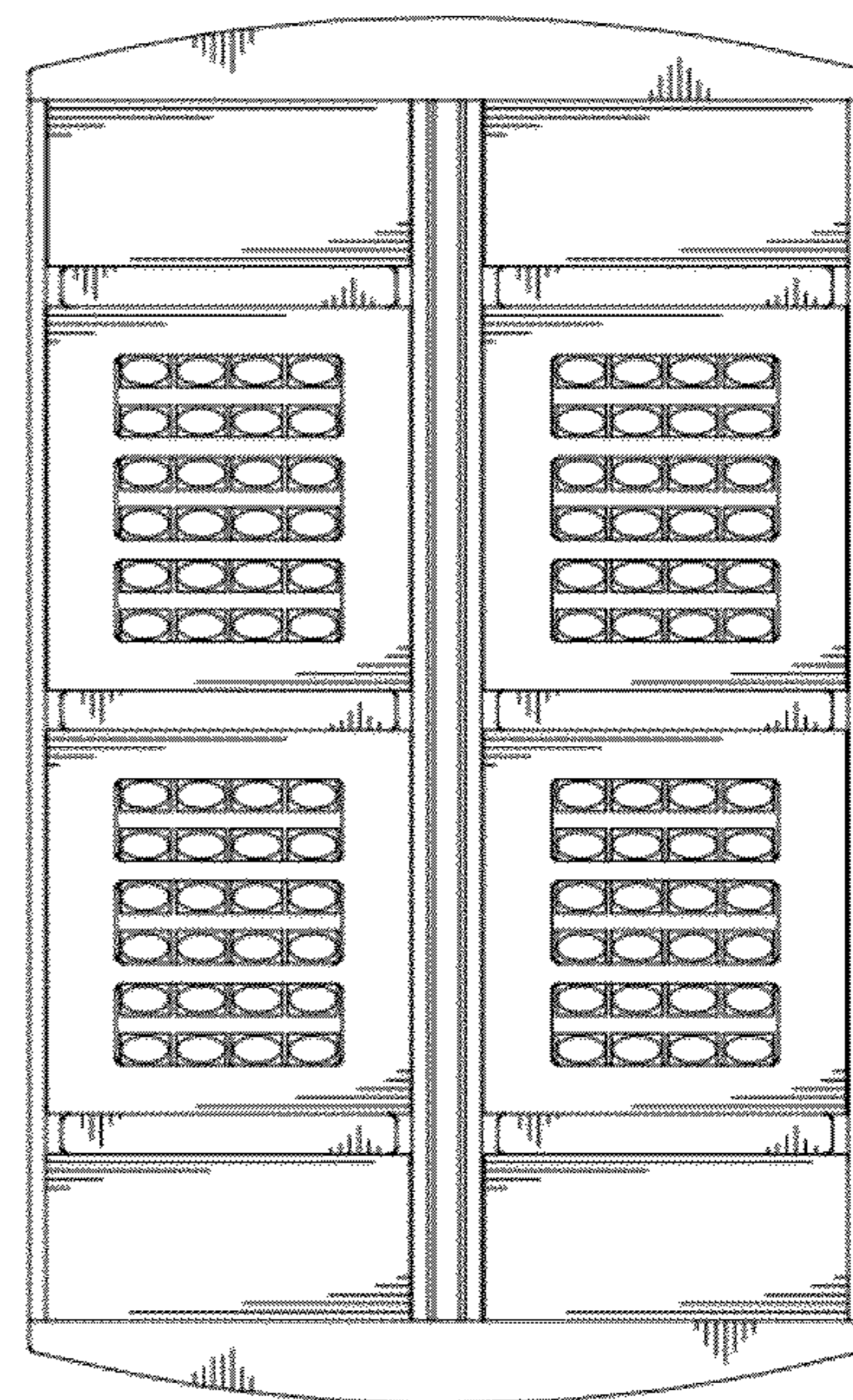
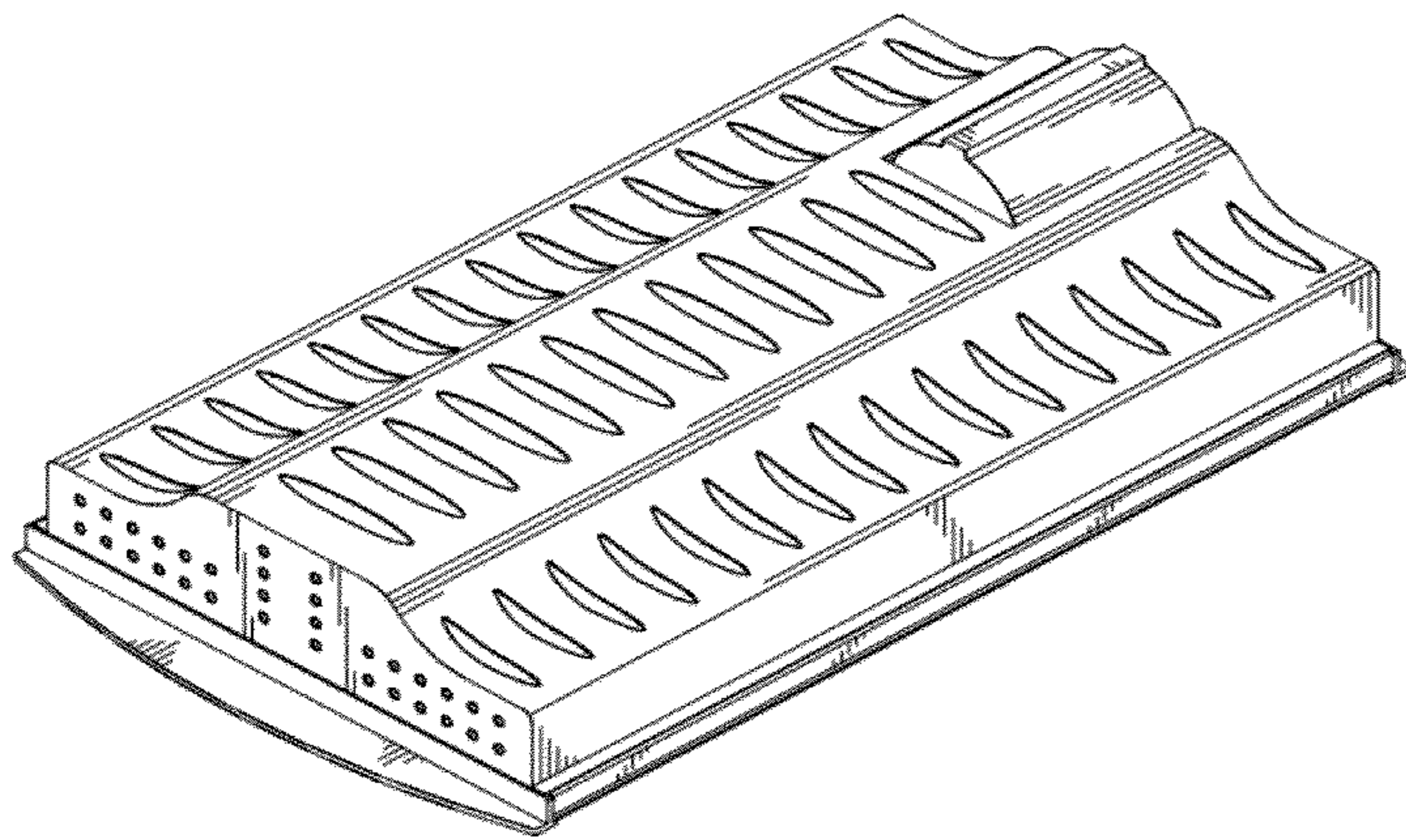
FIG. 4 is a left-side, elevational view thereof.

FIG. 5 is a right-side, elevational view thereof.

FIG. 6 is a top plan view thereof; and,

FIG. 7 is a bottom plan view thereof.

**1 Claim, 7 Drawing Sheets**





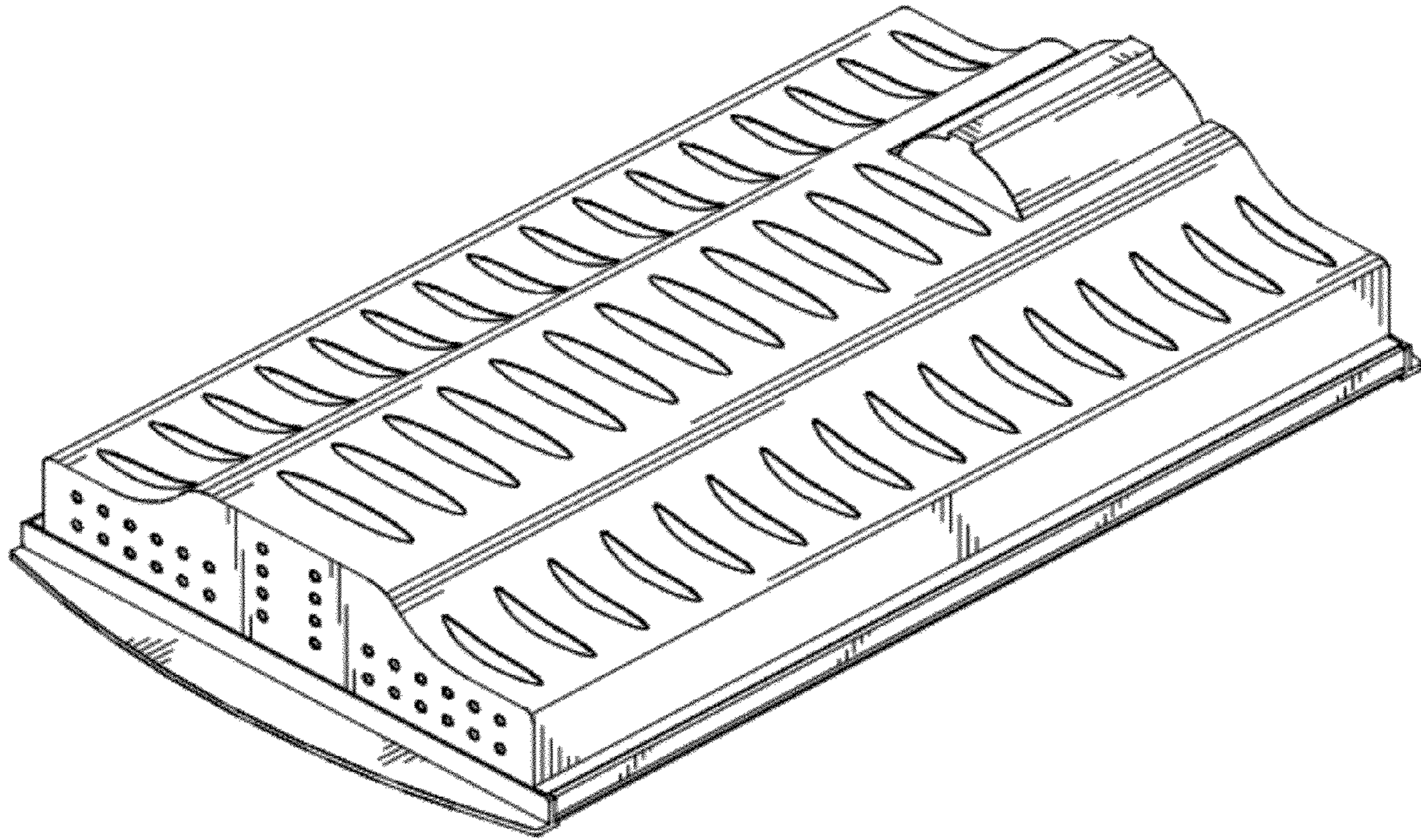


FIG. 1

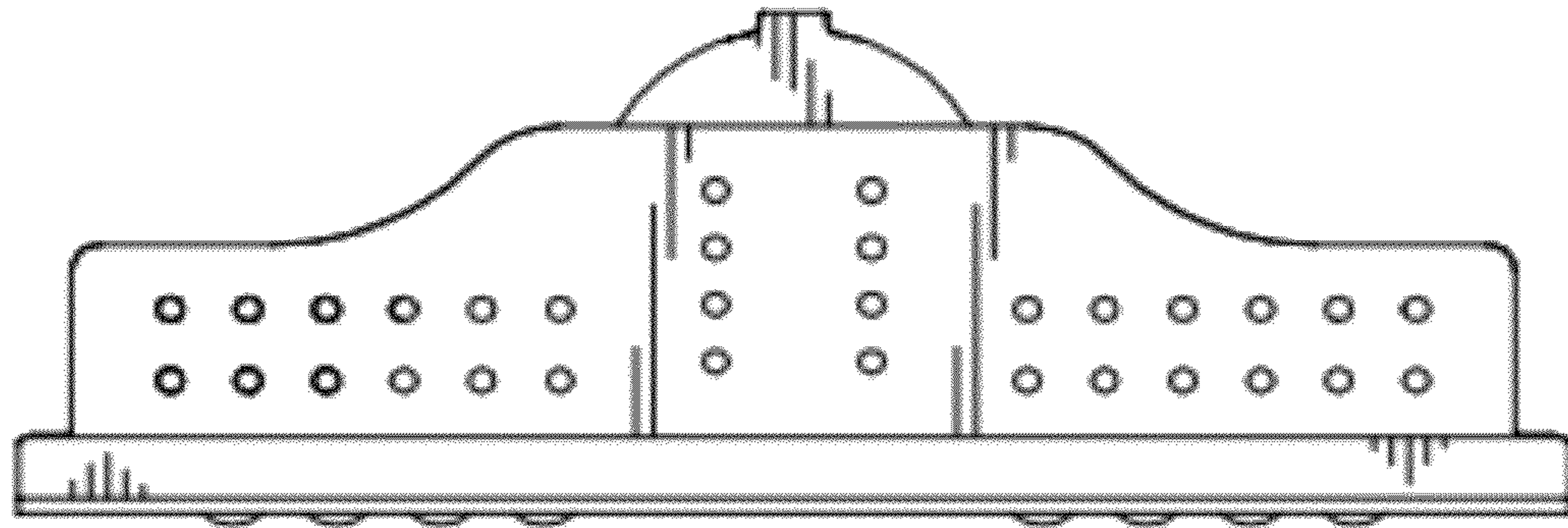


FIG. 2

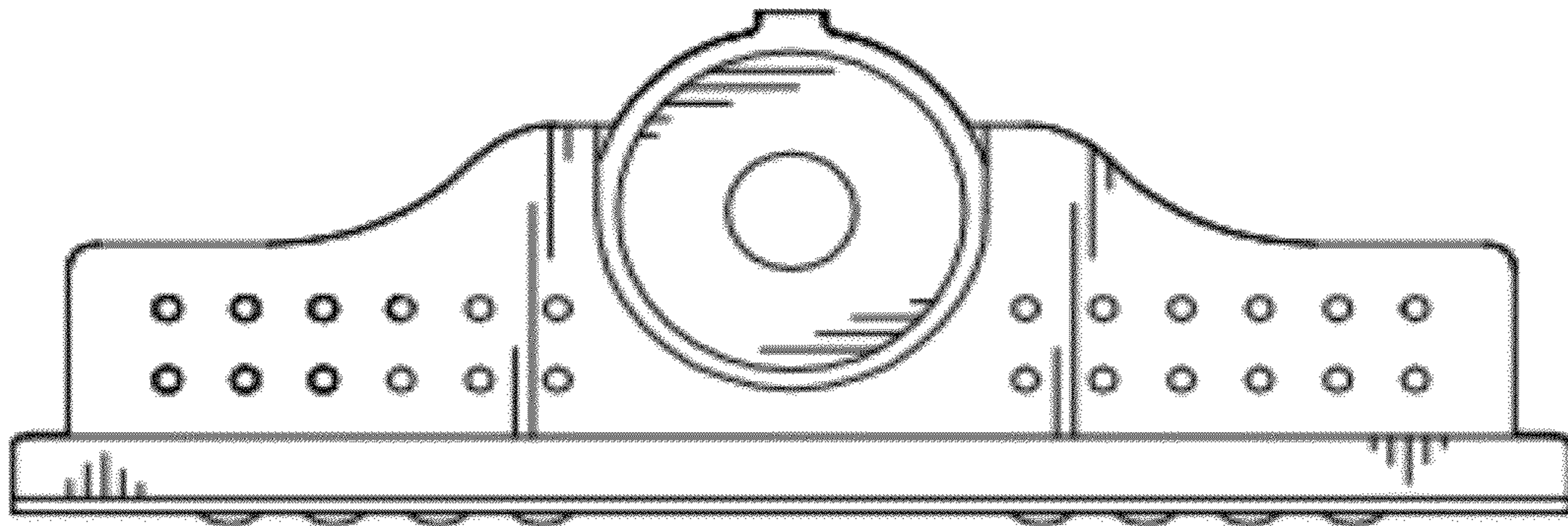


FIG. 3

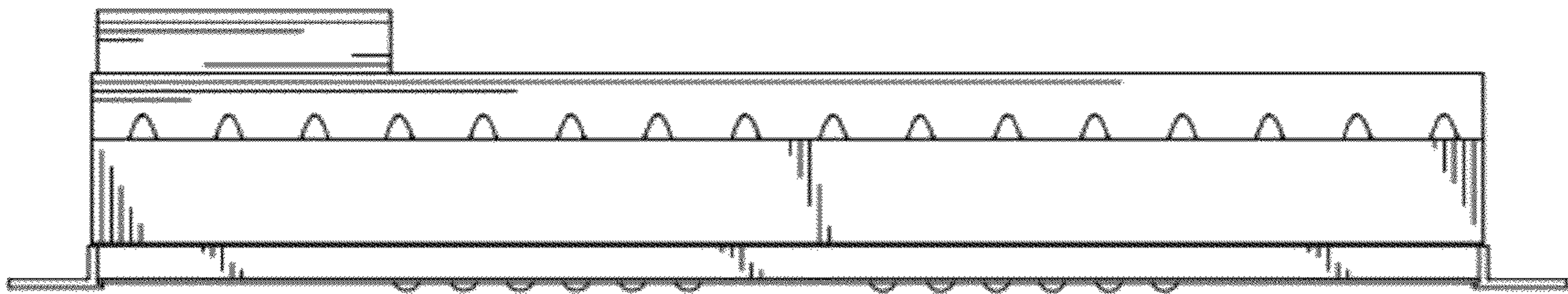


FIG. 4



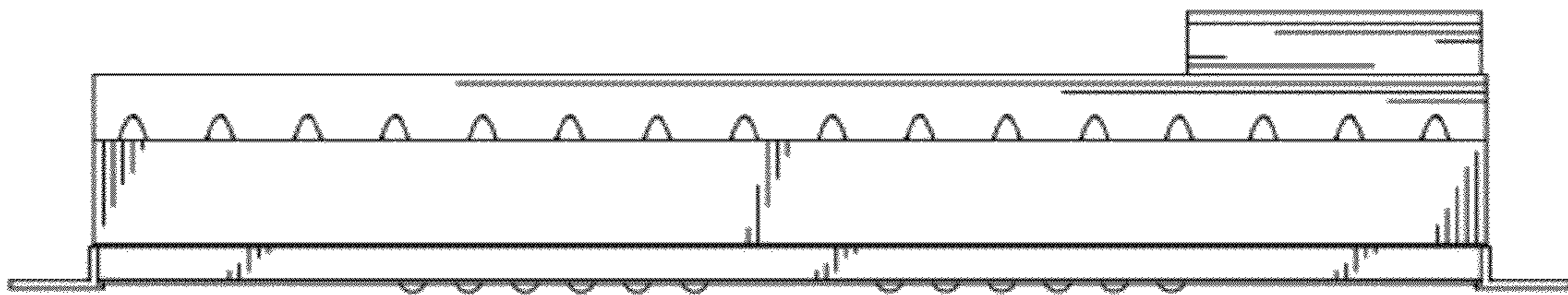


FIG. 5

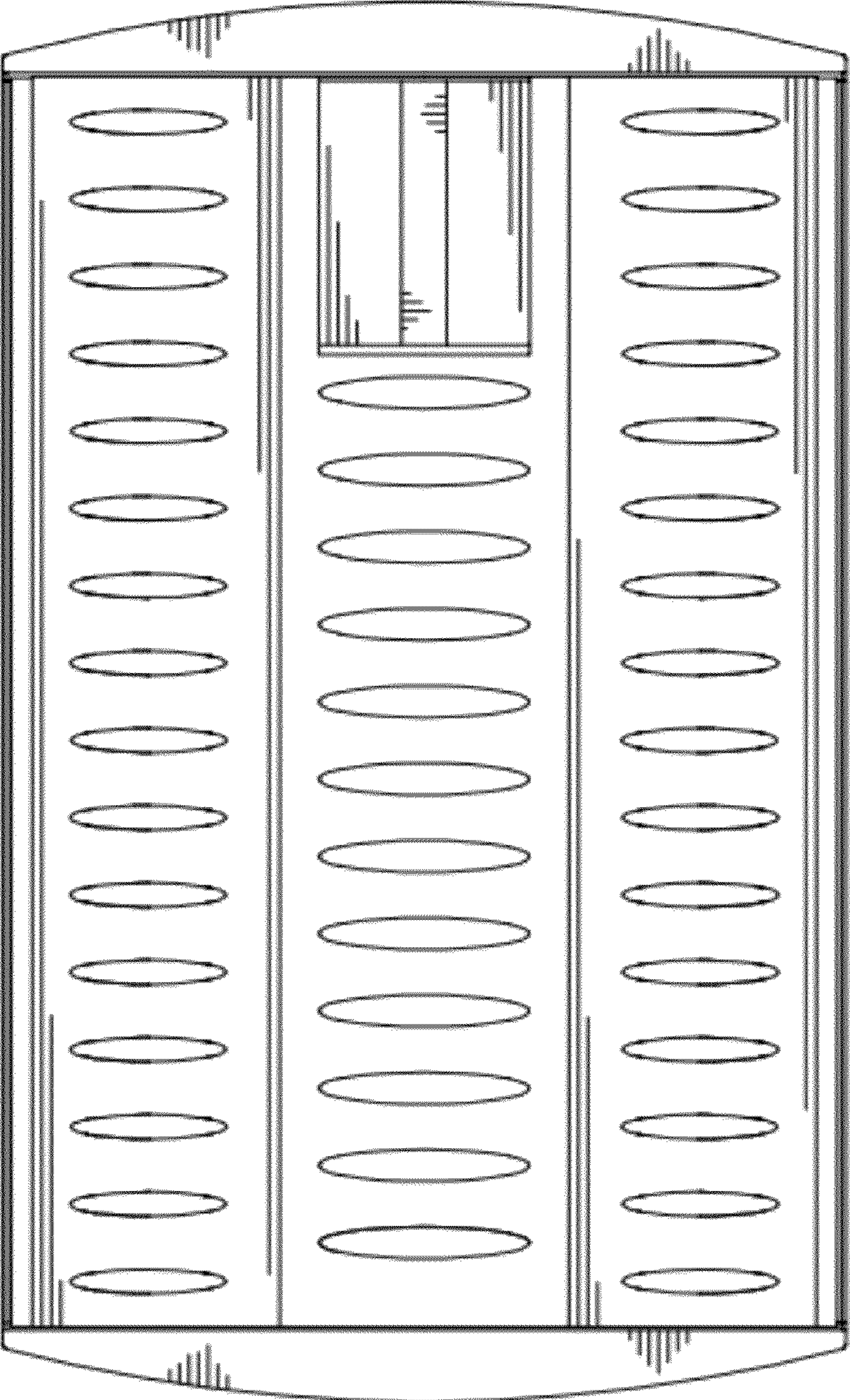


FIG. 6



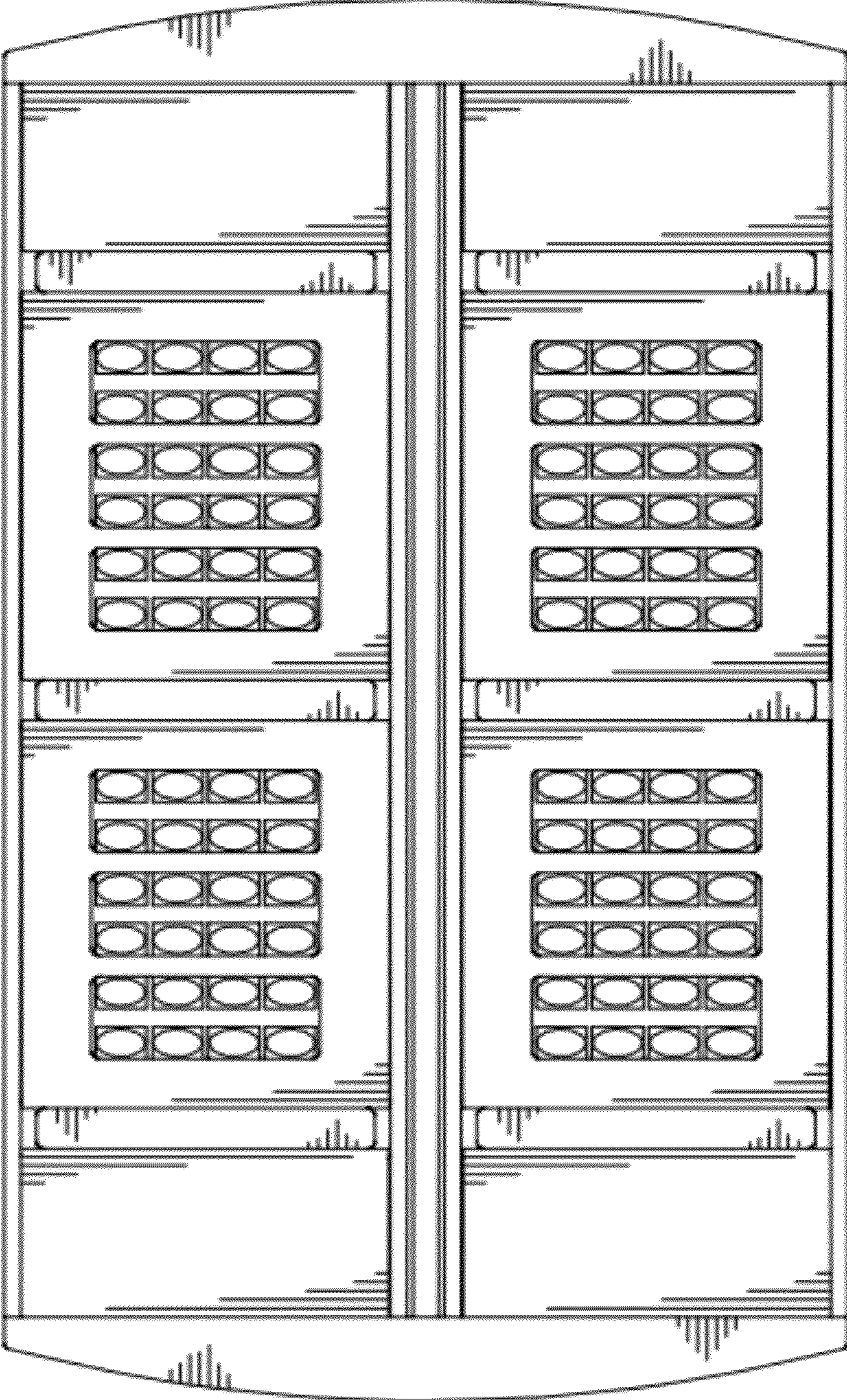


FIG. 7