



US00D672076S

(12) **United States Design Patent**
Guercio et al.

(10) **Patent No.:** **US D672,076 S**
(45) **Date of Patent:** **** Dec. 4, 2012**

(54) **DISK SHAPED POLE MOUNTED LED LIGHT FIXTURE**

(75) Inventors: **Vincenzo Guercio**, Wallkill, NY (US);
Jiang Hu, Shanghai (CN); **Dan Wang-Munson**, Bergenfield, NJ (US)

(73) Assignee: **RAB Lighting Inc.**, Northvale, NJ (US)

(**) Term: **14 Years**

(21) Appl. No.: **29/412,038**

(22) Filed: **Jan. 30, 2012**

(51) **LOC (9) Cl.** **26-05**

(52) **U.S. Cl.** **D26/70**

(58) **Field of Classification Search** D26/67-71,
D26/85, 125, 128; 347/147, 183, 431, 432,
347/373, 294, 249.02

See application file for complete search history.

(56) **References Cited**

U.S. PATENT DOCUMENTS

| | | | | |
|----------------|---------|-----------------|-------|---------|
| D191,128 S * | 8/1961 | Curtis et al. | | D26/67 |
| D193,407 S * | 8/1962 | Pettengill | | D26/67 |
| D209,394 S * | 11/1967 | deMan | | D22/122 |
| 7,041,899 B2 | 5/2006 | Stekelenburg | | |
| D529,218 S * | 9/2006 | Wen | | D26/68 |
| D553,779 S * | 10/2007 | Butler | | D26/67 |
| D570,027 S * | 5/2008 | Miller et al. | | D26/85 |
| D571,494 S * | 6/2008 | Friedman et al. | | D26/67 |
| D571,496 S * | 6/2008 | Lenz | | D26/68 |
| D573,289 S * | 7/2008 | Xu et al. | | D26/67 |
| D578,694 S * | 10/2008 | Zeng et al. | | D26/70 |
| D583,494 S * | 12/2008 | Friedman et al. | | D26/68 |
| D592,343 S * | 5/2009 | Wilcox et al. | | D26/67 |
| D599,049 S | 8/2009 | Guercio | | |
| D599,497 S * | 9/2009 | Liu | | D26/67 |
| D617,485 S * | 6/2010 | Hamilton et al. | | D26/67 |
| 7,810,957 B2 * | 10/2010 | Zeng et al. | | 362/294 |
| 7,841,734 B2 | 11/2010 | Wilcox | | |
| D652,976 S * | 1/2012 | Soto et al. | | D26/68 |

OTHER PUBLICATIONS

Abacus Exterior Lighting Brochure [online], pp. 44-47, 2012 [retrieved on May 17, 2012]. Retrieved from the Internet: <URL:

<http://www.abacuslighting.com/pdf/brochure-exterior-lighting.pdf>>.

Kim Lighting “Bounce LED” Product Catalog [online], 16 pages, Apr. 2012 [retrieved on May 17, 2012]. Retrieved from the Internet: <URL: http://www.kimlighting.com/content/products/literature/literature_files/kl_bnsled_lit.pdf>.

Kim Lighting “Site/Roadway—Contemporary” Product Brochure [online], 1 page, 2012 [retrieved on May 17, 2012]. Retrieved from the Internet: <URL: http://www.kimlighting.com/products/site_roadway/contemporary/>.

(Continued)

Primary Examiner — Clare E Heflin

(74) *Attorney, Agent, or Firm* — Stewart & Irwin, P.C.;
Dennis S. Schell; Bassam S. Nader

(57) **CLAIM**

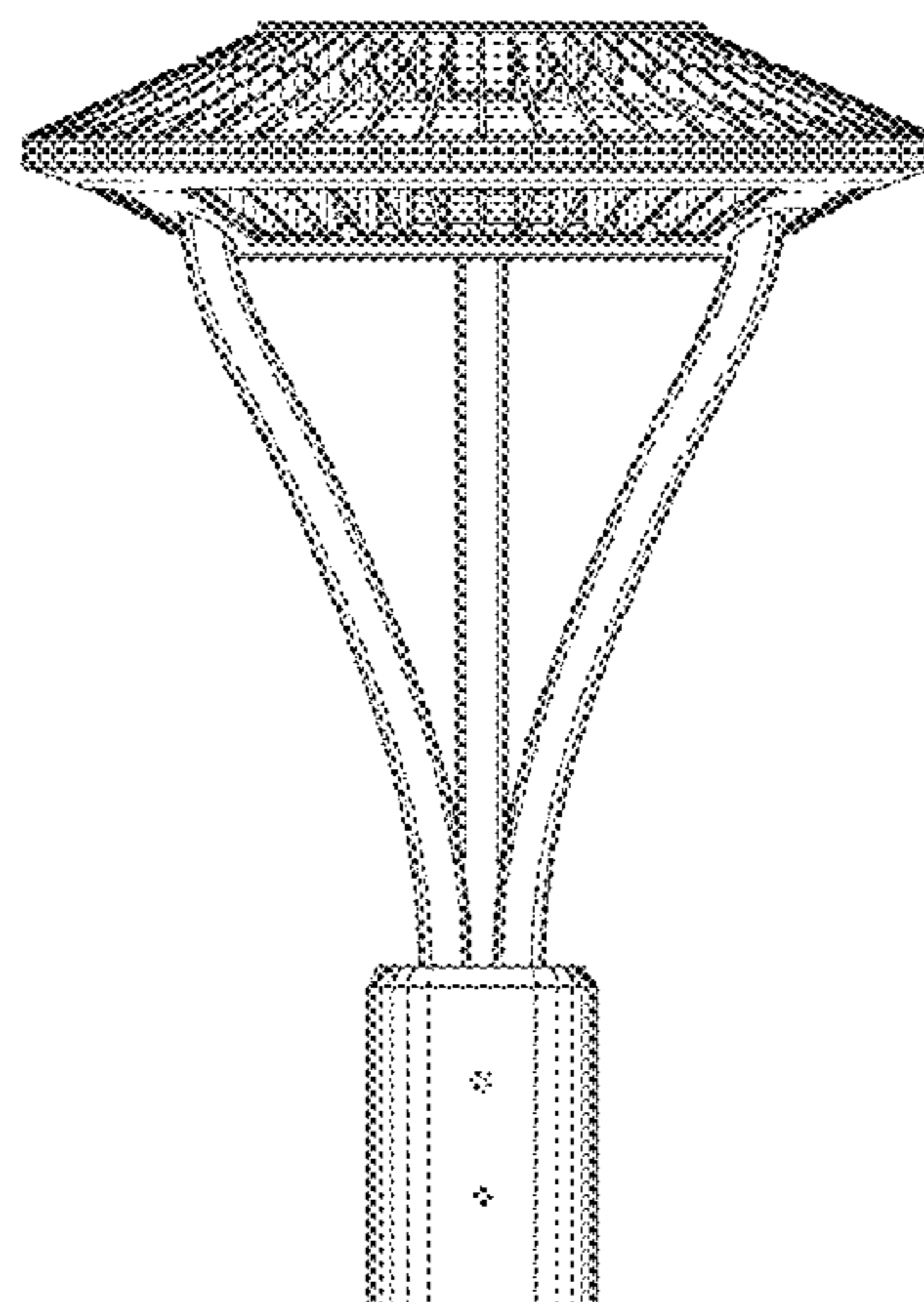
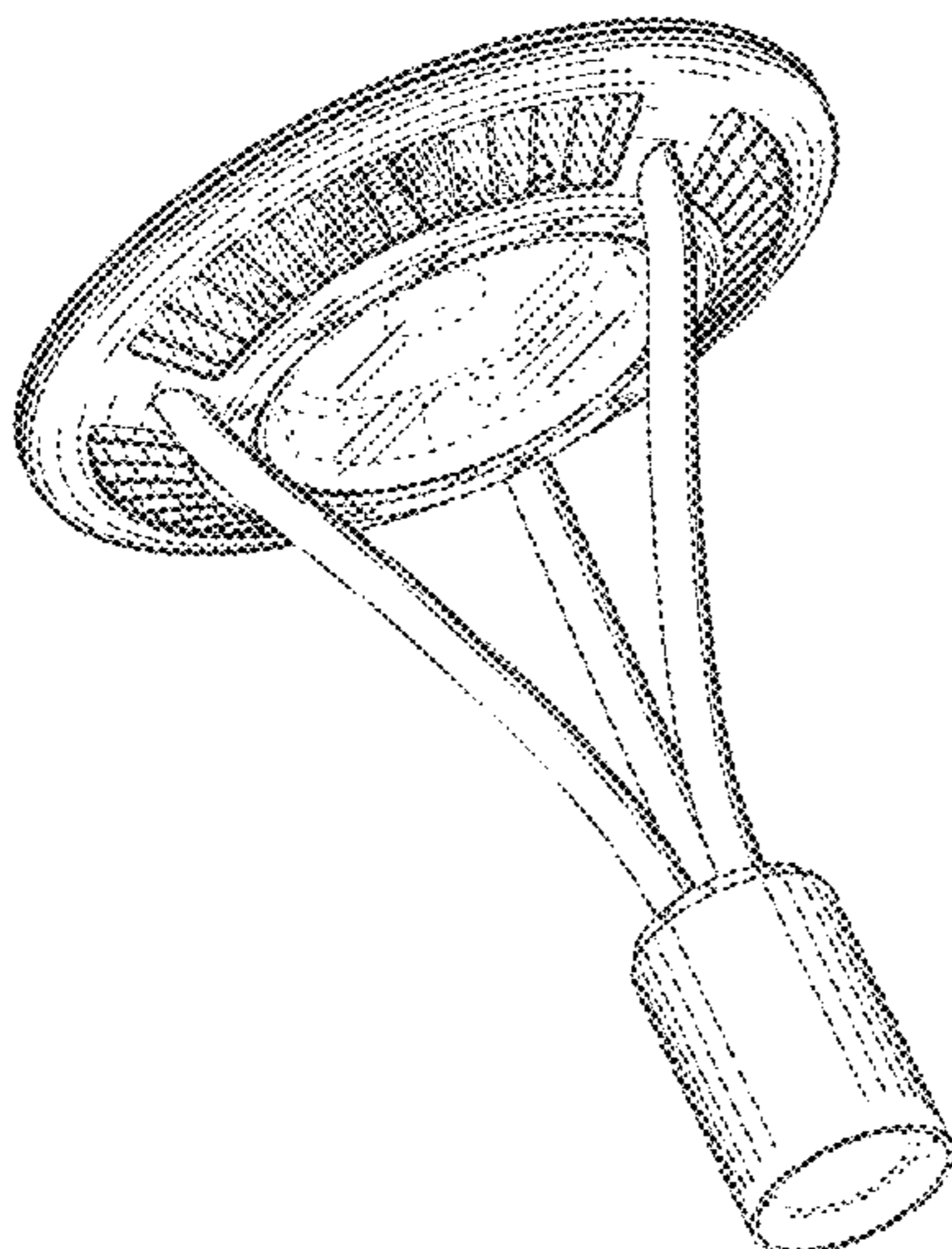
The ornamental design for a disk shaped pole mounted LED light fixture, as shown and described.

DESCRIPTION

FIG. 1 is a bottom perspective view of the new design; FIG. 2 is a top perspective view thereof; FIG. 3 is a top view thereof; FIG. 4 is a bottom view thereof; FIG. 5 is a front side view thereof; FIG. 6 is a left side view thereof; FIG. 7 is a rear side view thereof; and, FIG. 8 is a cross-sectional view of a top portion thereof taken along line 8-8 of FIG. 3.

The design consists of the features of shape, ornament and configuration of the article shown in the drawings. The broken lines shown in the drawings are for the purposes of illustrating portions of the article that form no part of the claimed design. The right side view is a mirror image of the left side view and is therefore omitted. The cross-sectional view is included to further illustrate certain interior portions of the embodiment visible through openings in the outer surface.

1 Claim, 8 Drawing Sheets



OTHER PUBLICATIONS

Dialight “DuroSite® Series LED High Bay” Product Catalog [online], 8 pages [retrieved on May 17, 2012]. Retrieved from the

Internet: <URL: http://www.dialight.com/Assets%5CBrochures_And_Catalogs%5CIllumination%5CMDEXHBX001.pdf>.

* cited by examiner

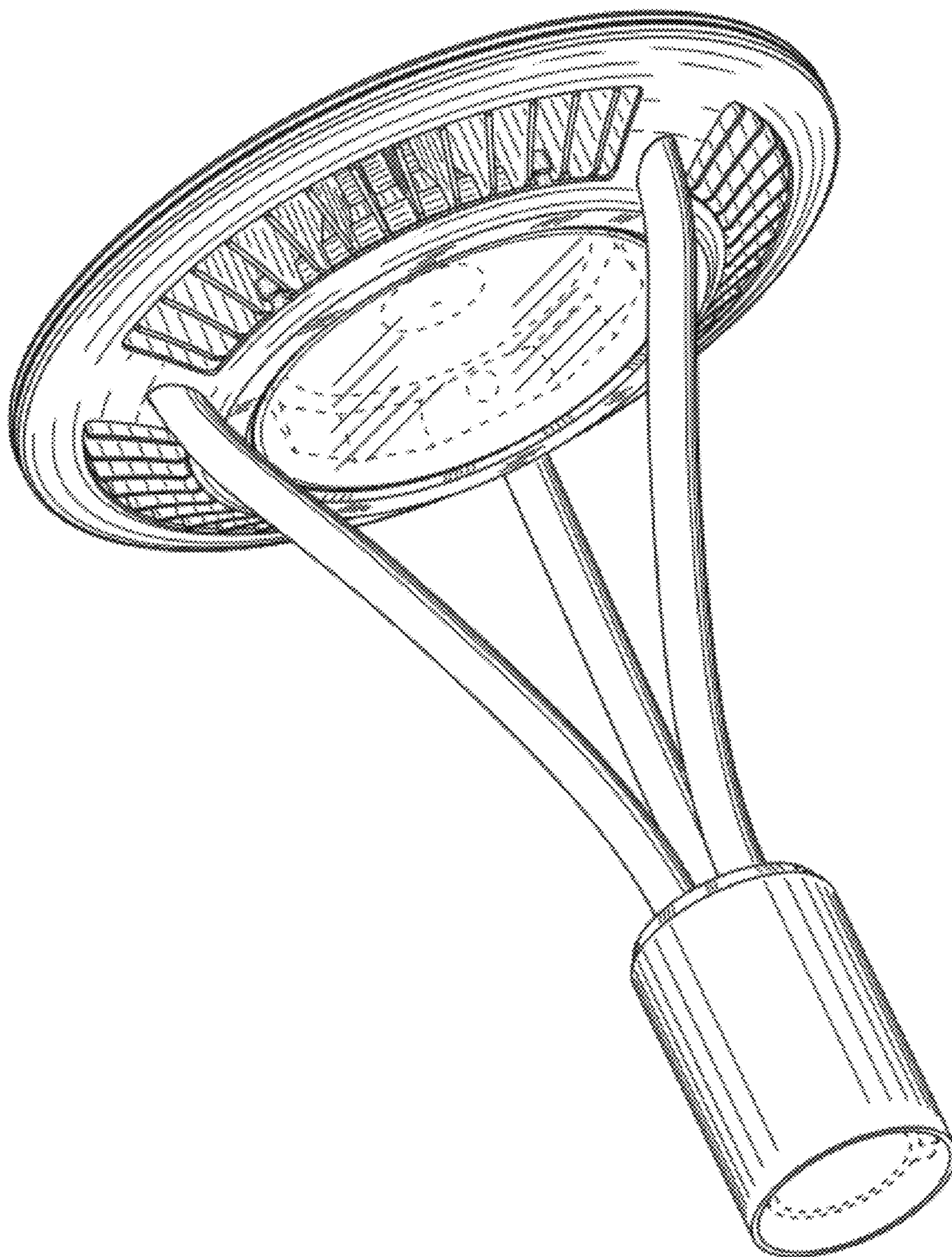


Fig. 1

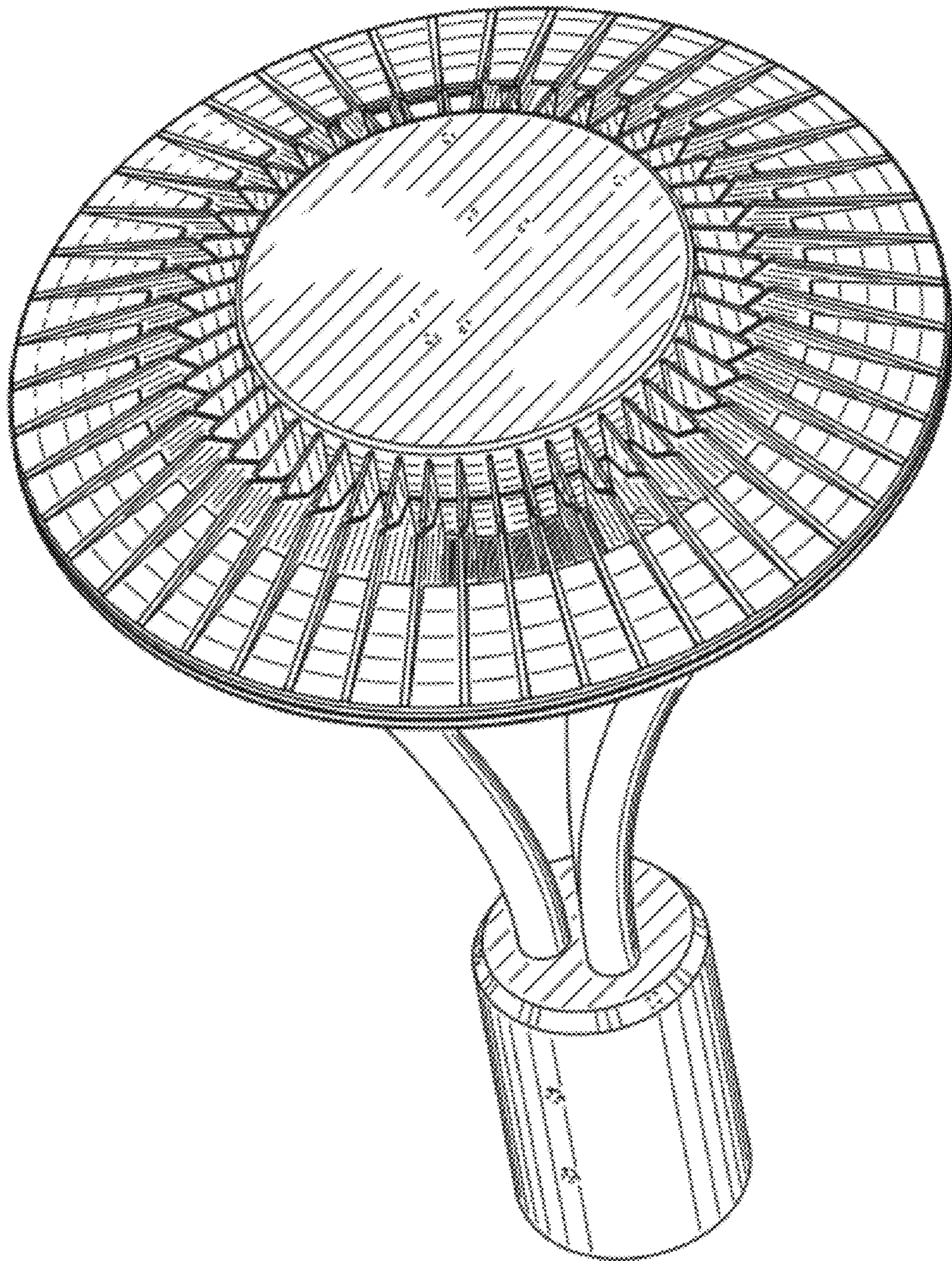


Fig. 2

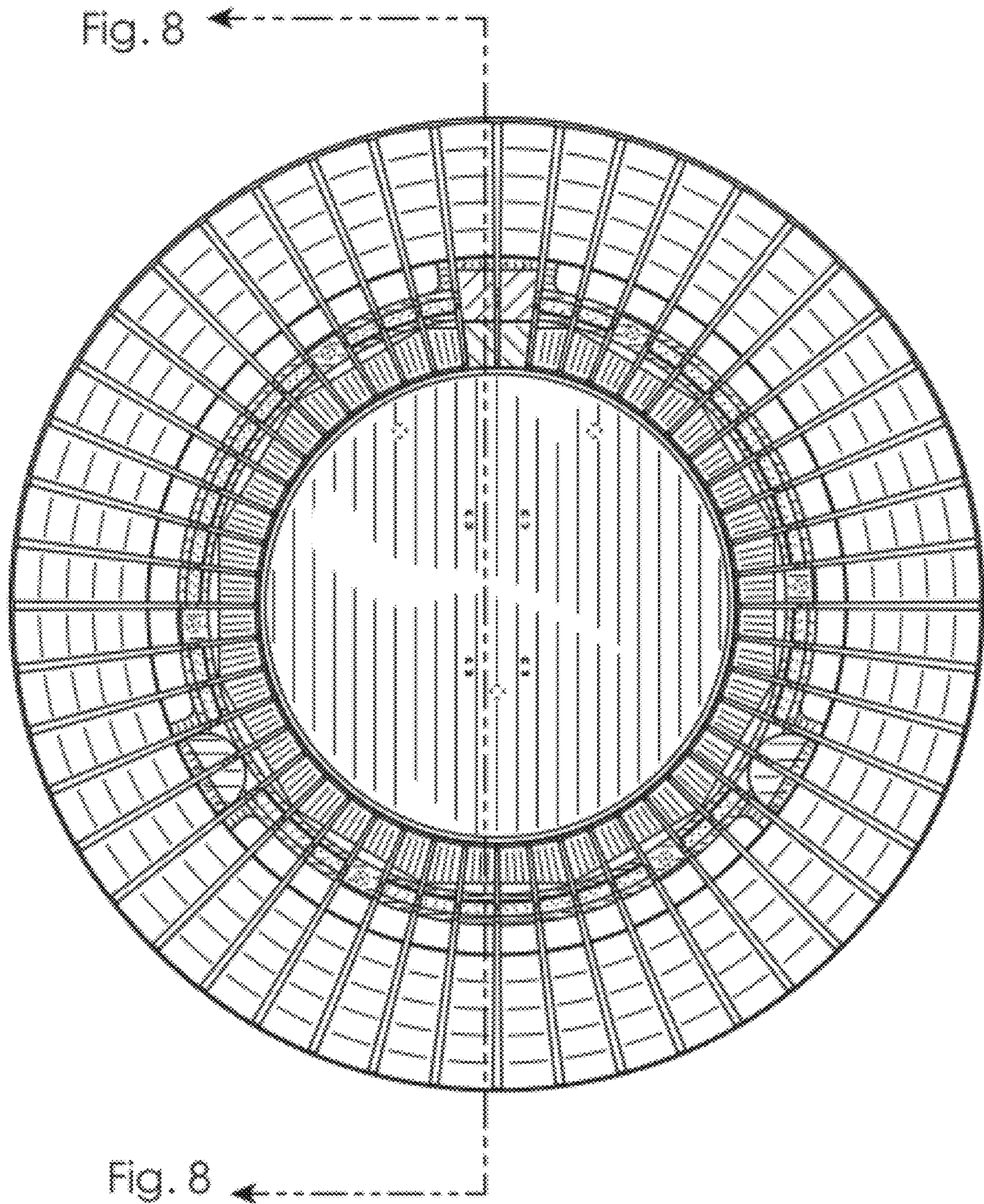


Fig. 3

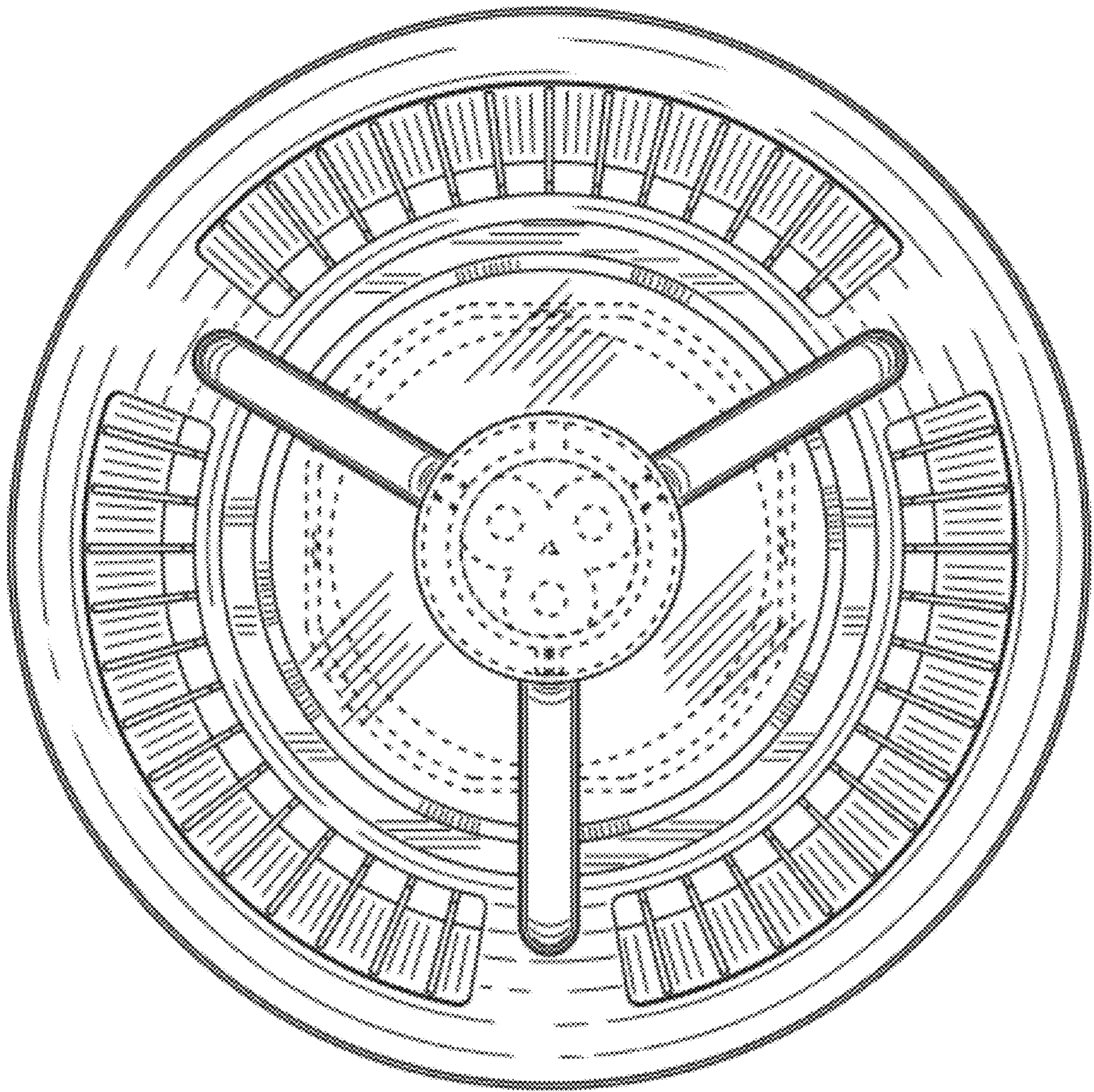


Fig. 4

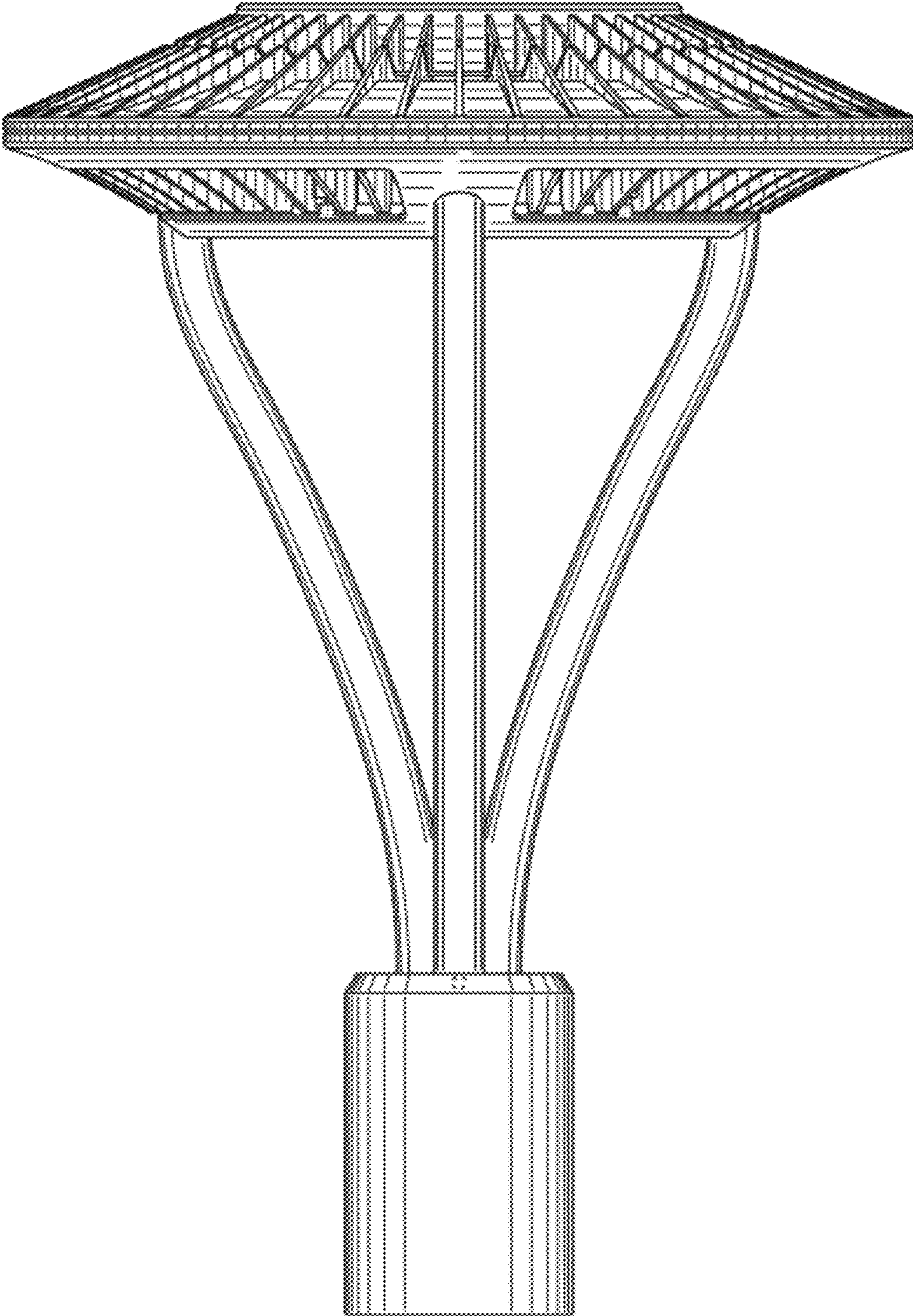


Fig. 5

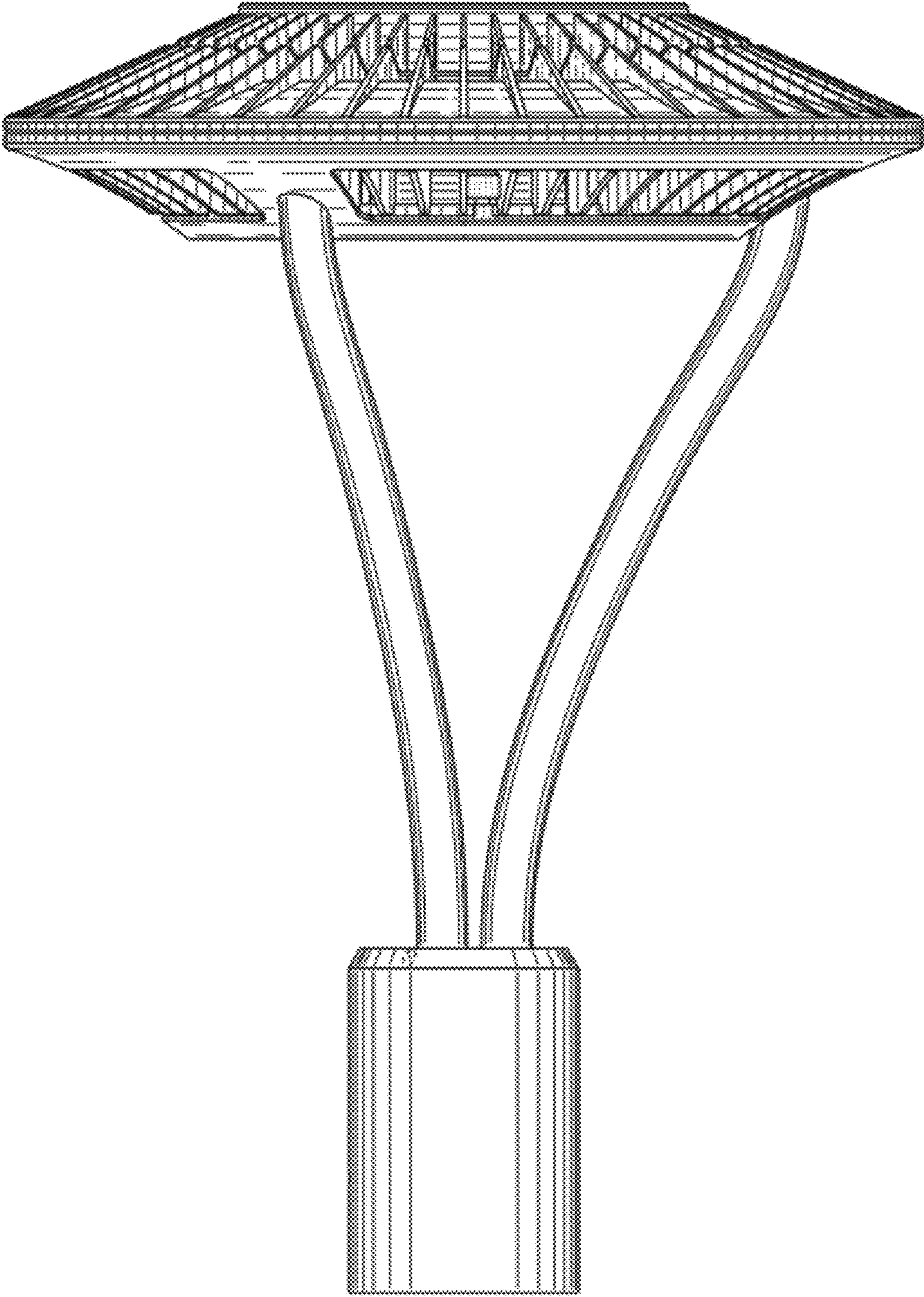


Fig. 6

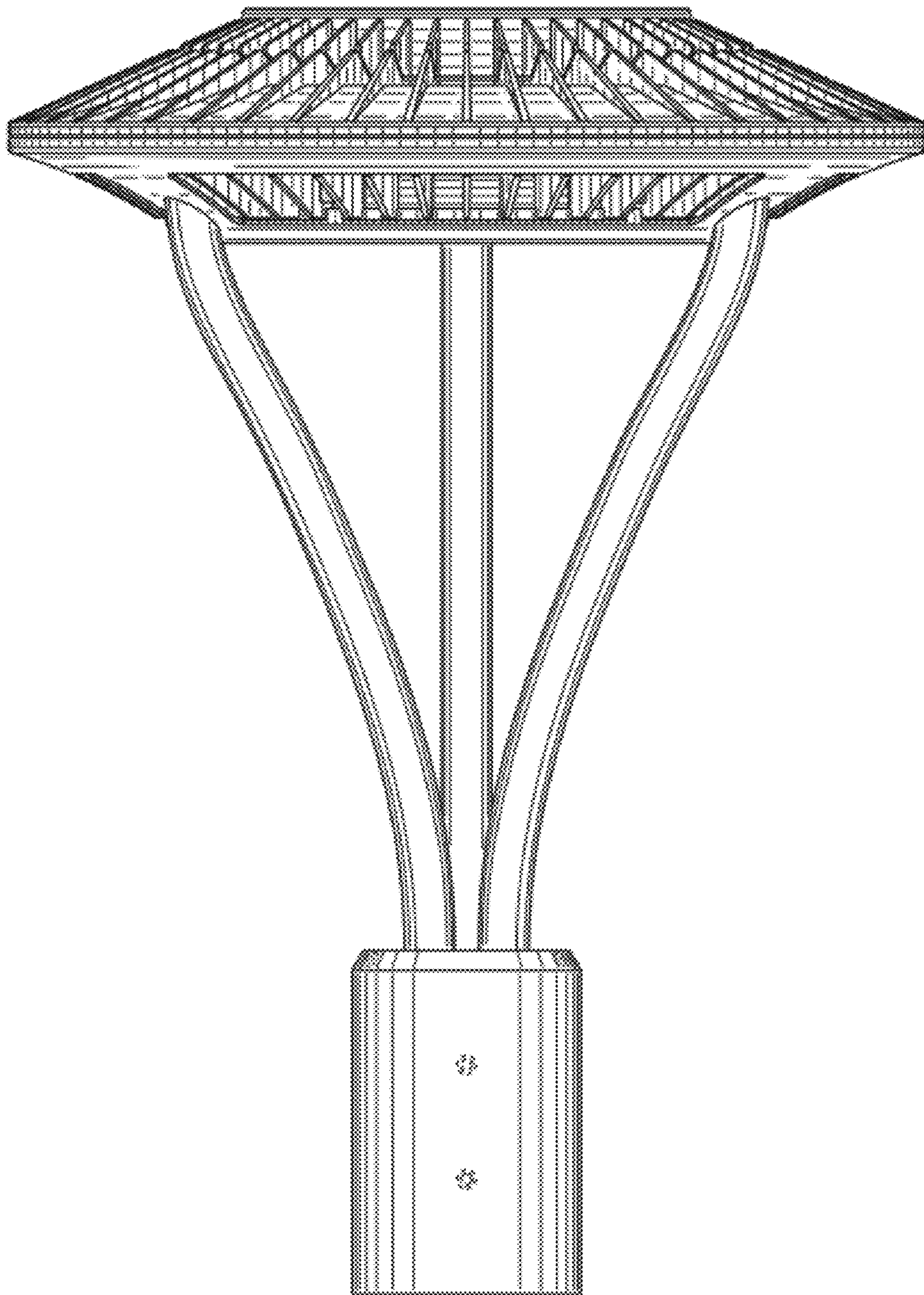


Fig. 7

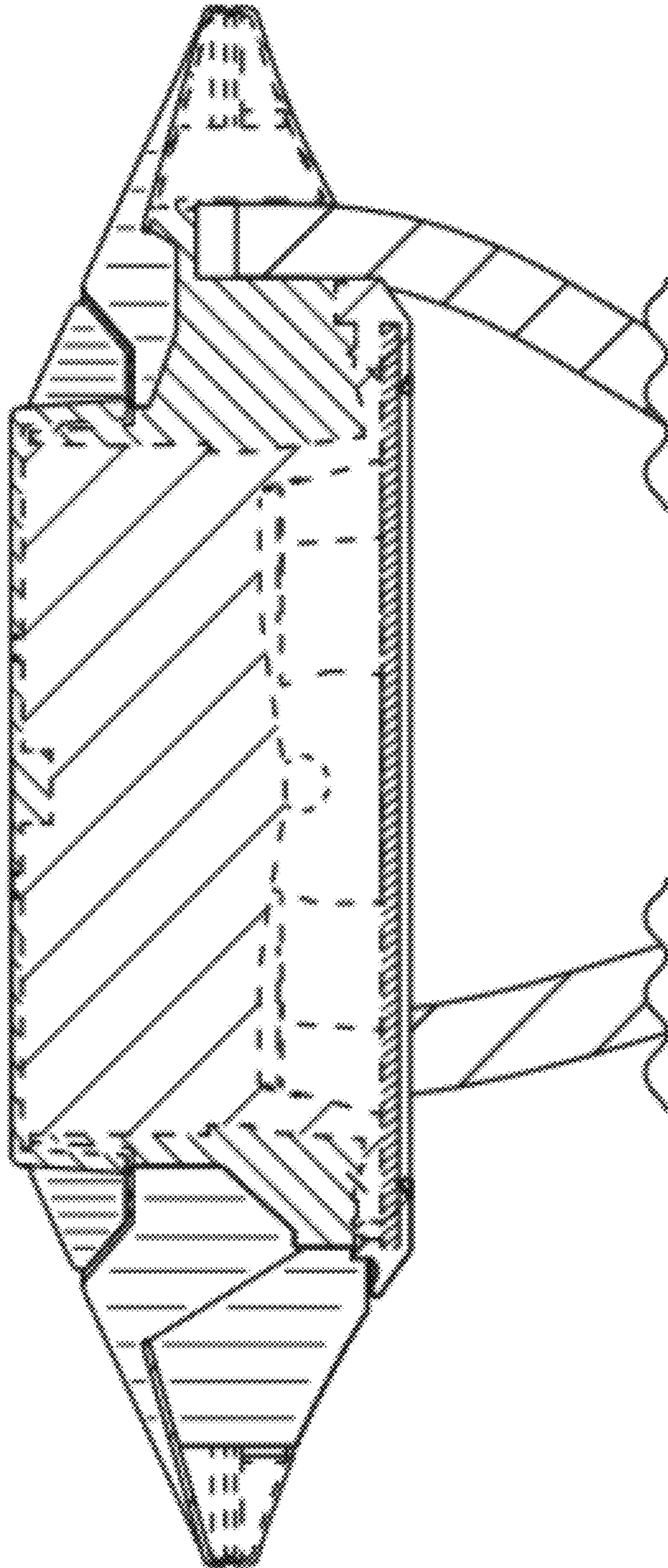


Fig. 8