



US00D672075S

(12) **United States Design Patent**  
**Abogabir**

(10) **Patent No.:** **US D672,075 S**

(45) **Date of Patent:** **\*\* Dec. 4, 2012**

(54) **EXTERIOR SOLAR LIGHT MADE OF WOOD**

(75) Inventor: **Ximena Muñoz Abogabir**, Santiago (CL)

(73) Assignee: **Comercial Luxia Ltda.**, Santiago (CL)

(\*\*) Term: **14 Years**

(21) Appl. No.: **29/416,808**

(22) Filed: **Mar. 27, 2012**

(30) **Foreign Application Priority Data**

Sep. 28, 2011 (CL) ..... 2403-2011

(51) **LOC (9) Cl.** ..... **26-05**

(52) **U.S. Cl.** ..... **D26/68**

(58) **Field of Classification Search** ..... D26/67-71,  
D26/85, 125, 128; 347/147, 183, 431, 432,  
347/373, 294, 249.02

See application file for complete search history.

(56) **References Cited**

**U.S. PATENT DOCUMENTS**

D189,209 S *	11/1960	Harling	.....	D26/67
D193,206 S *	7/1962	Guggemos	.....	D26/68
3,194,952 A *	7/1965	Wells	.....	362/86
D208,719 S *	9/1967	de Vos	.....	D26/67
D218,985 S *	10/1970	Anderson, Jr.	.....	D26/67
3,833,804 A *	9/1974	Vesely	.....	362/291

D281,358 S *	11/1985	Doner	.....	D26/69
D462,134 S *	8/2002	Cheong	.....	D26/67
D482,481 S *	11/2003	Landefeld	.....	D26/71
D483,509 S *	12/2003	Osiecki et al.	.....	D26/67
D605,326 S *	12/2009	Sanoner	.....	D26/68
7,841,734 B2 *	11/2010	Wilcox	.....	362/153
D642,722 S *	8/2011	Oberpriller	.....	D26/67

\* cited by examiner

*Primary Examiner* — Clare E Heflin

(74) *Attorney, Agent, or Firm* — Thomas W. Tolpin; Tolpin & Partners PC

(57) **CLAIM**

What is claimed is the ornamental design for an exterior solar light made of wood, as shown and described.

**DESCRIPTION**

FIG. 1 is a perspective view of an exterior solar light made of wood showing my new design.

FIG. 2 is a top view thereof.

FIG. 3 is a front view thereof.

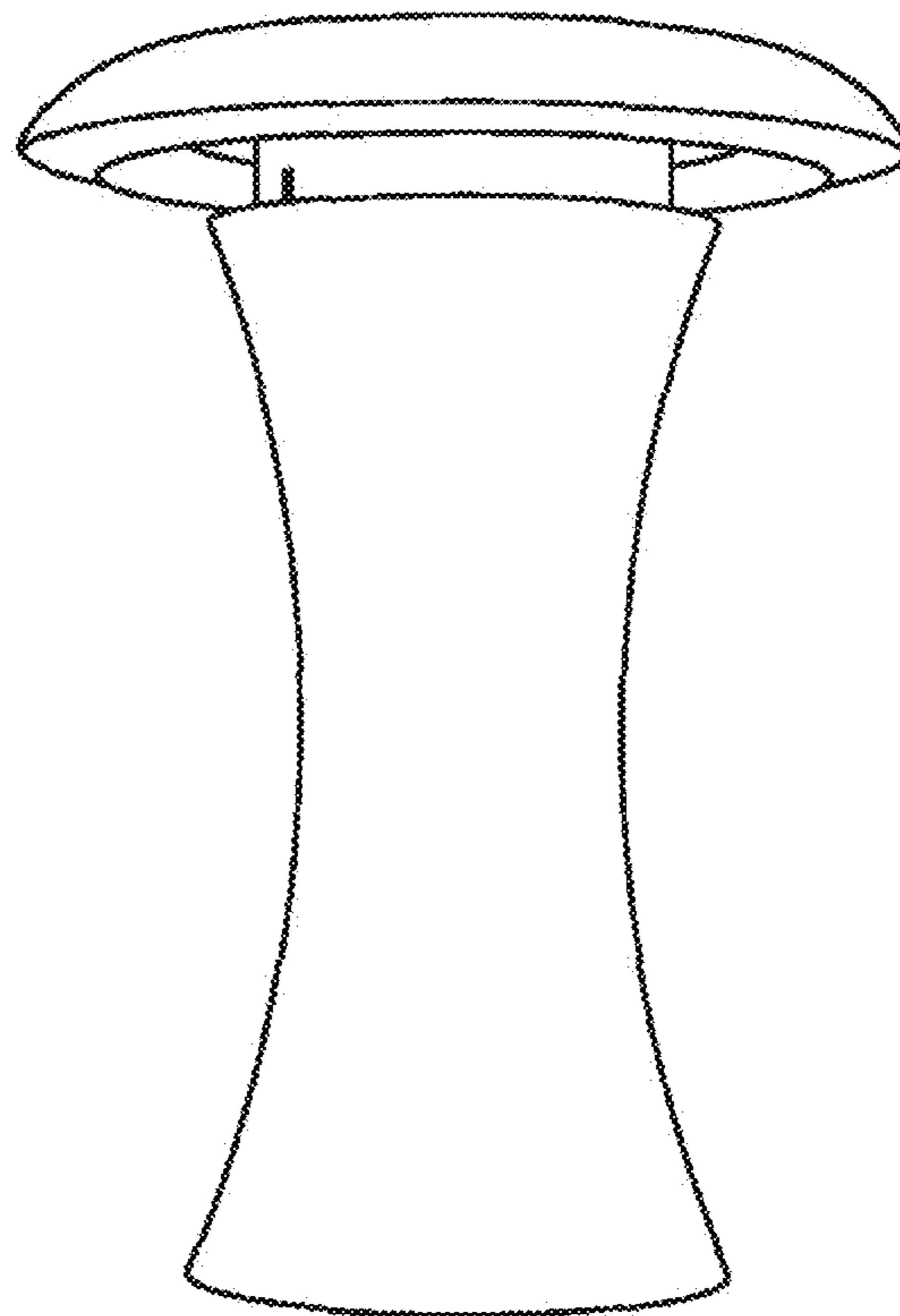
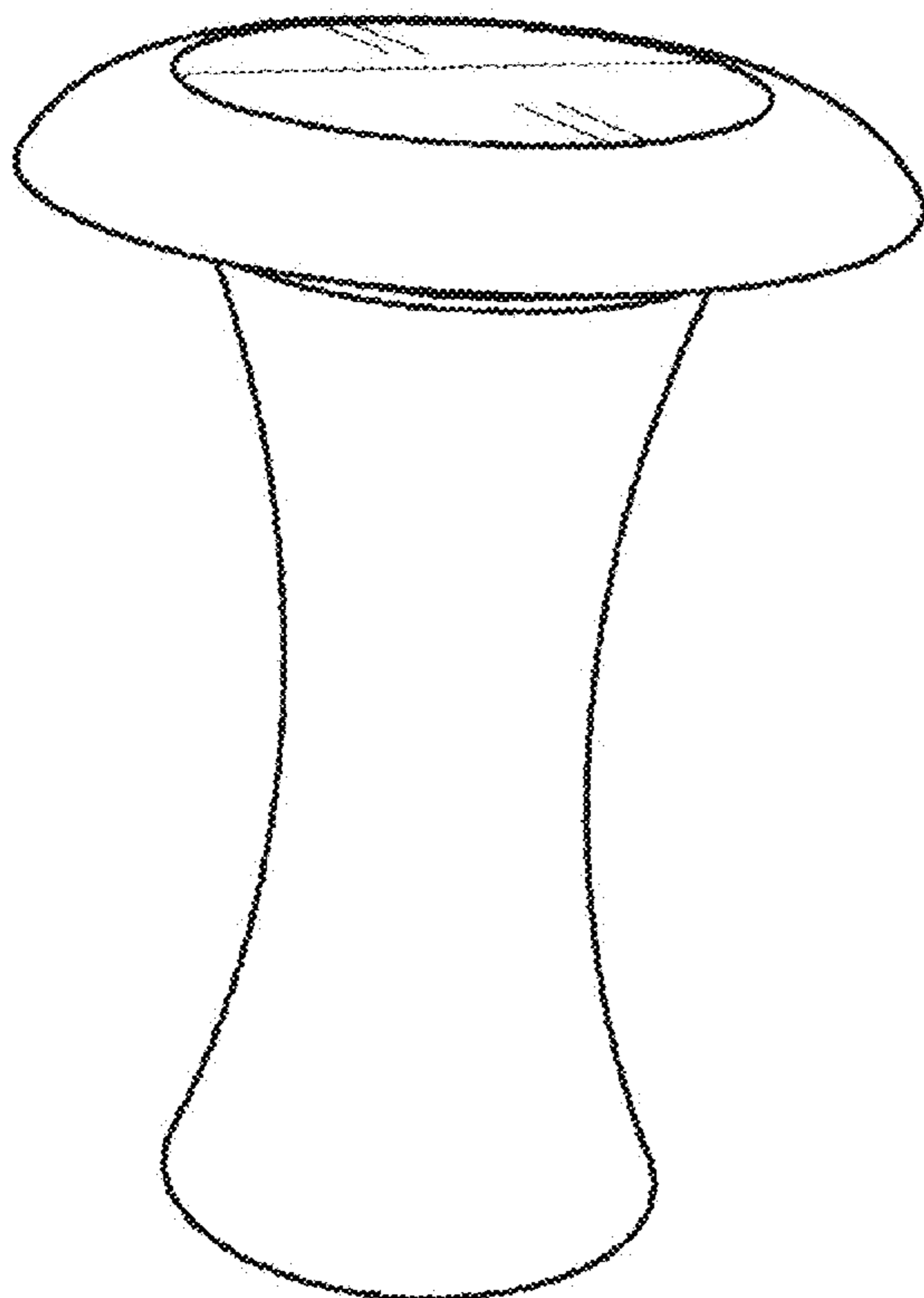
FIG. 4 is an exploded perspective top view thereof.

FIG. 5 is an exploded perspective front view thereof; and,

FIG. 6 is a back perspective view thereof.

A solar photovoltaic lighting device for use in outdoor lighting.

**1 Claim, 5 Drawing Sheets**



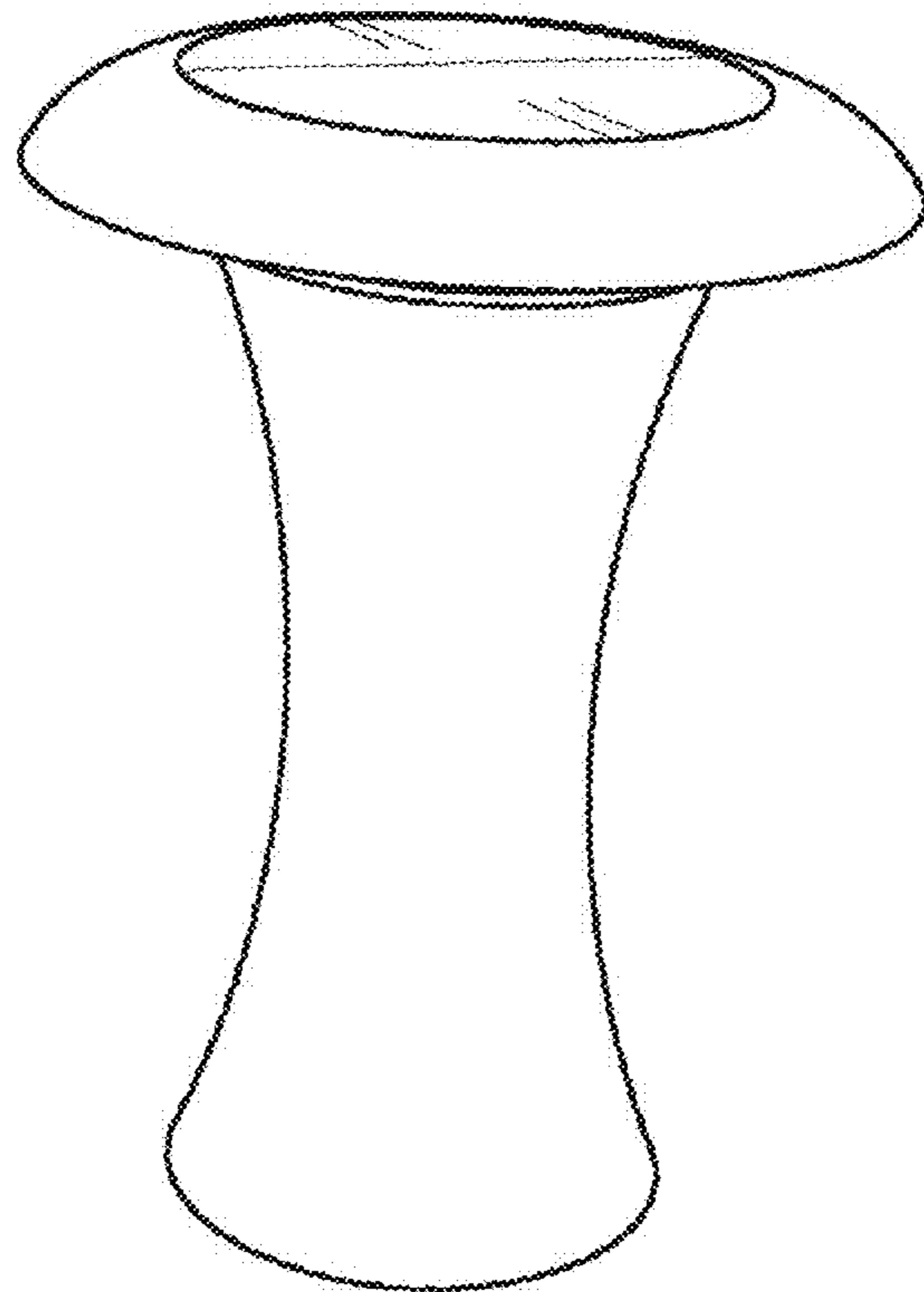


Fig. 1

Fig. 2

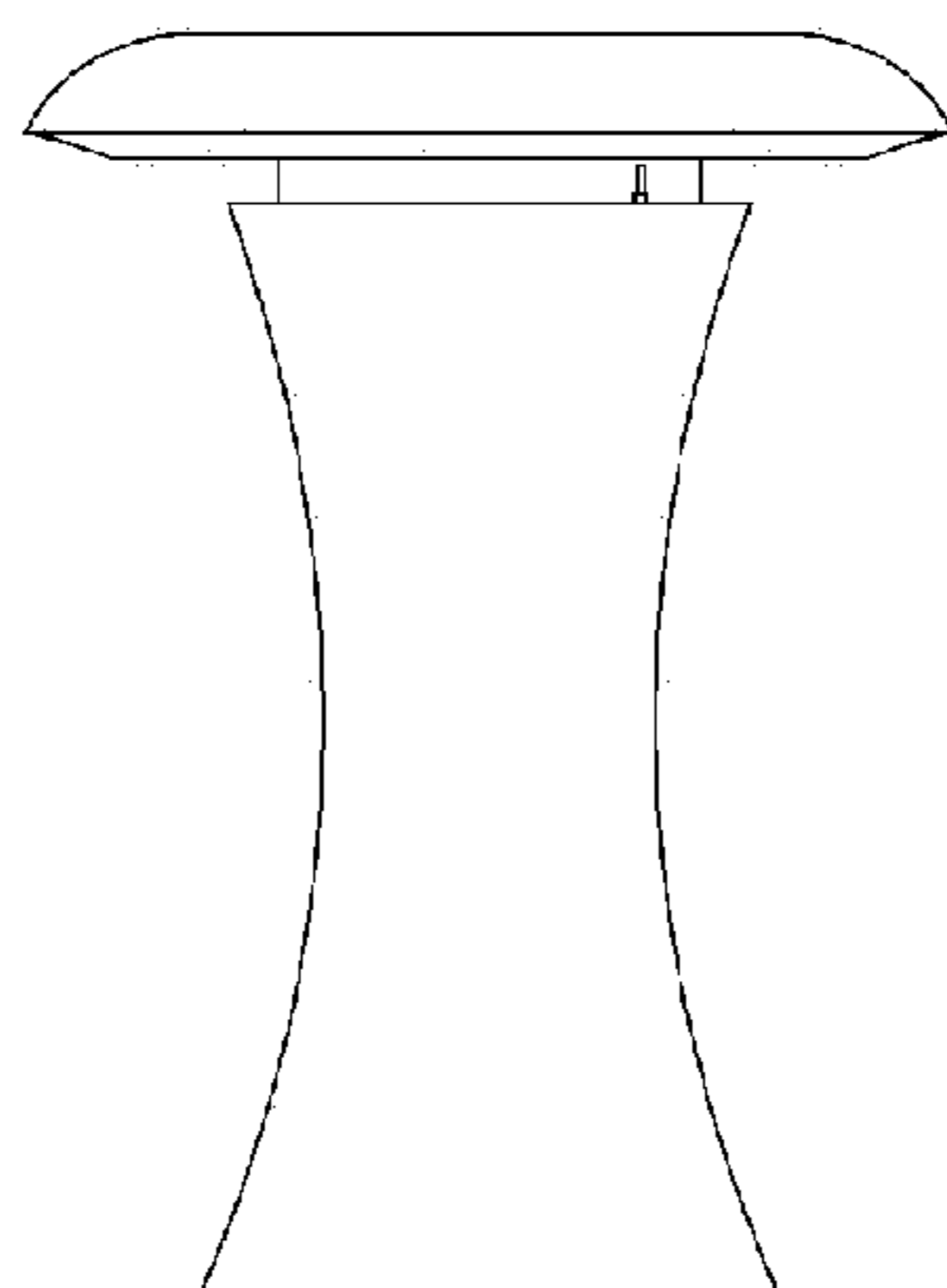
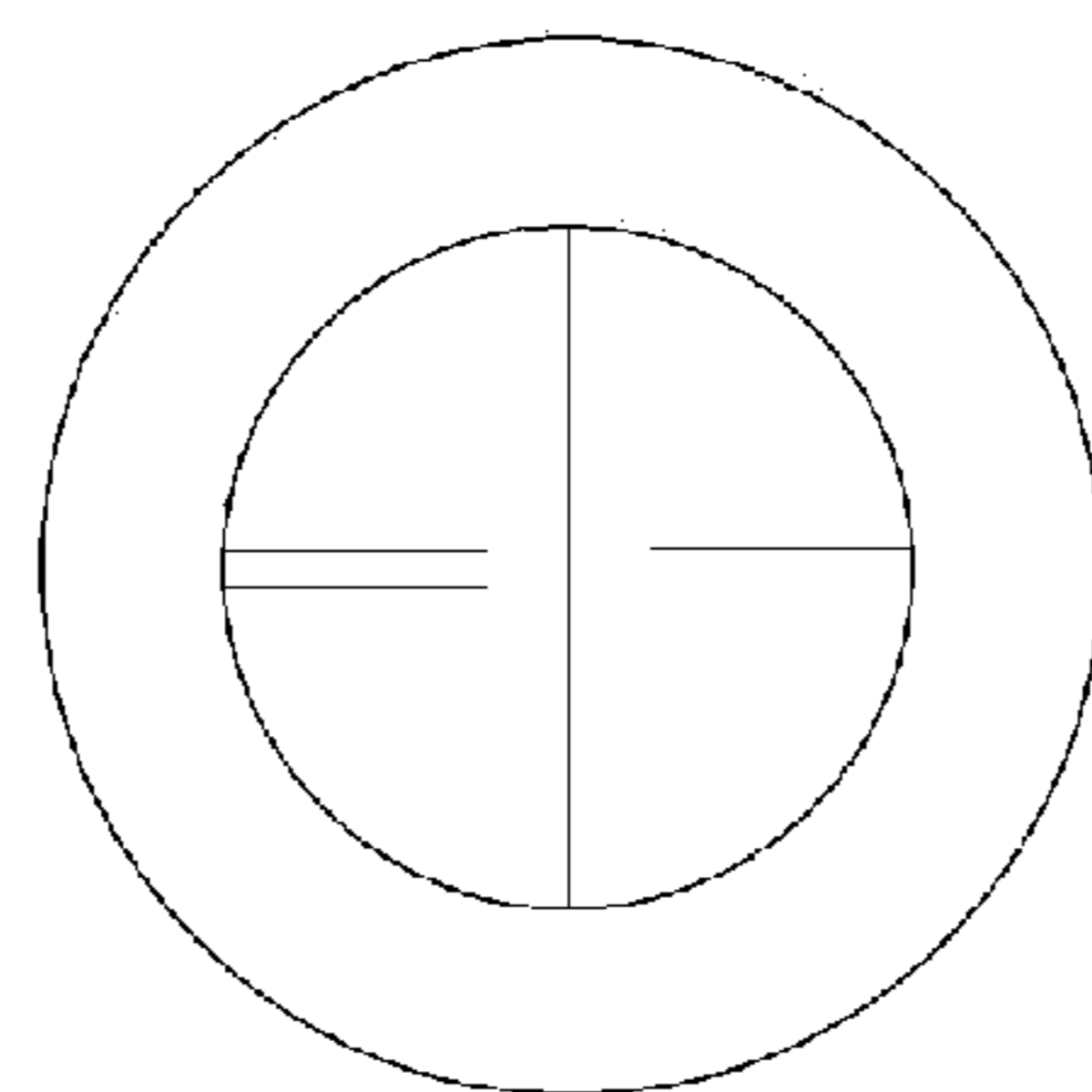


Fig. 3

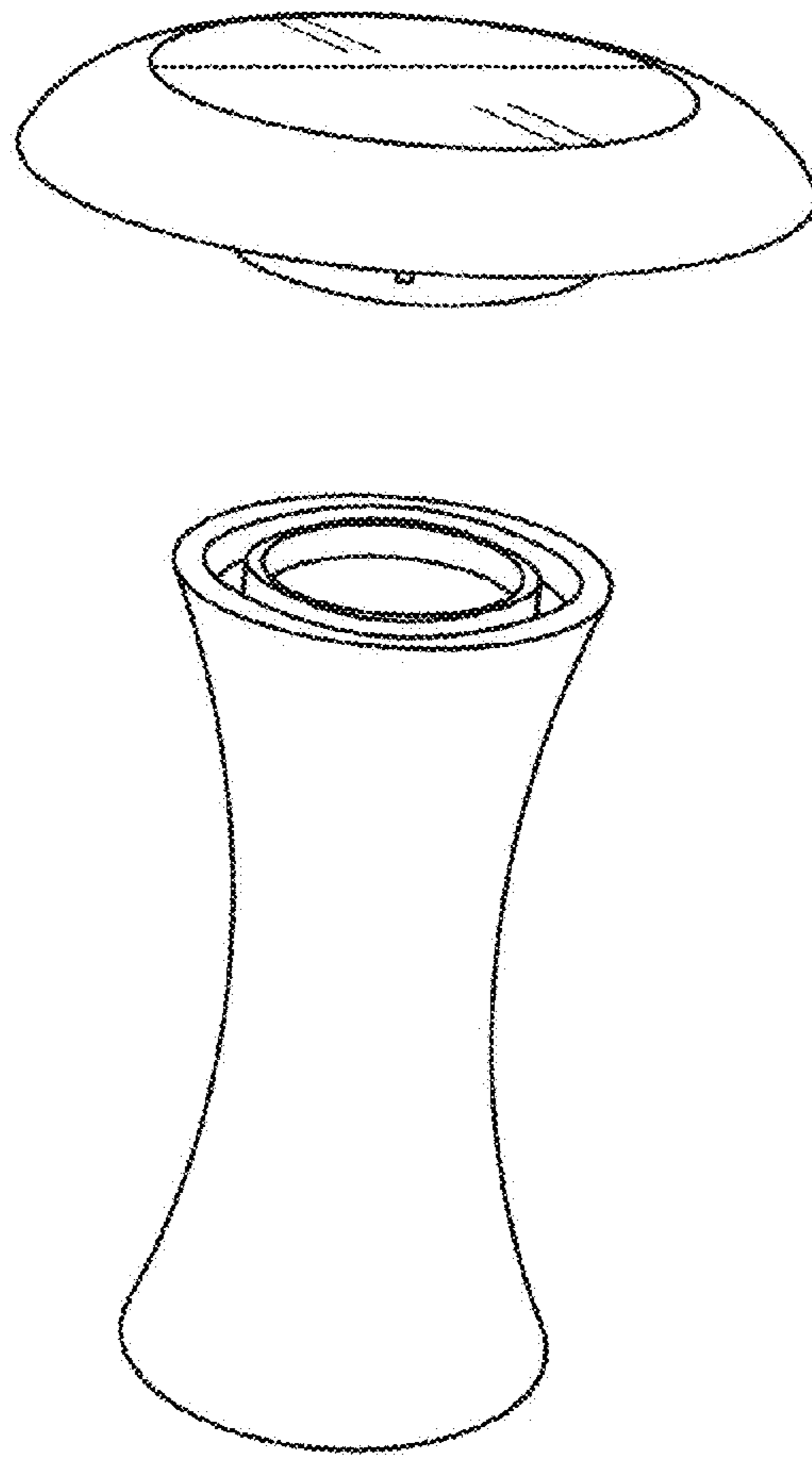


Fig. 4

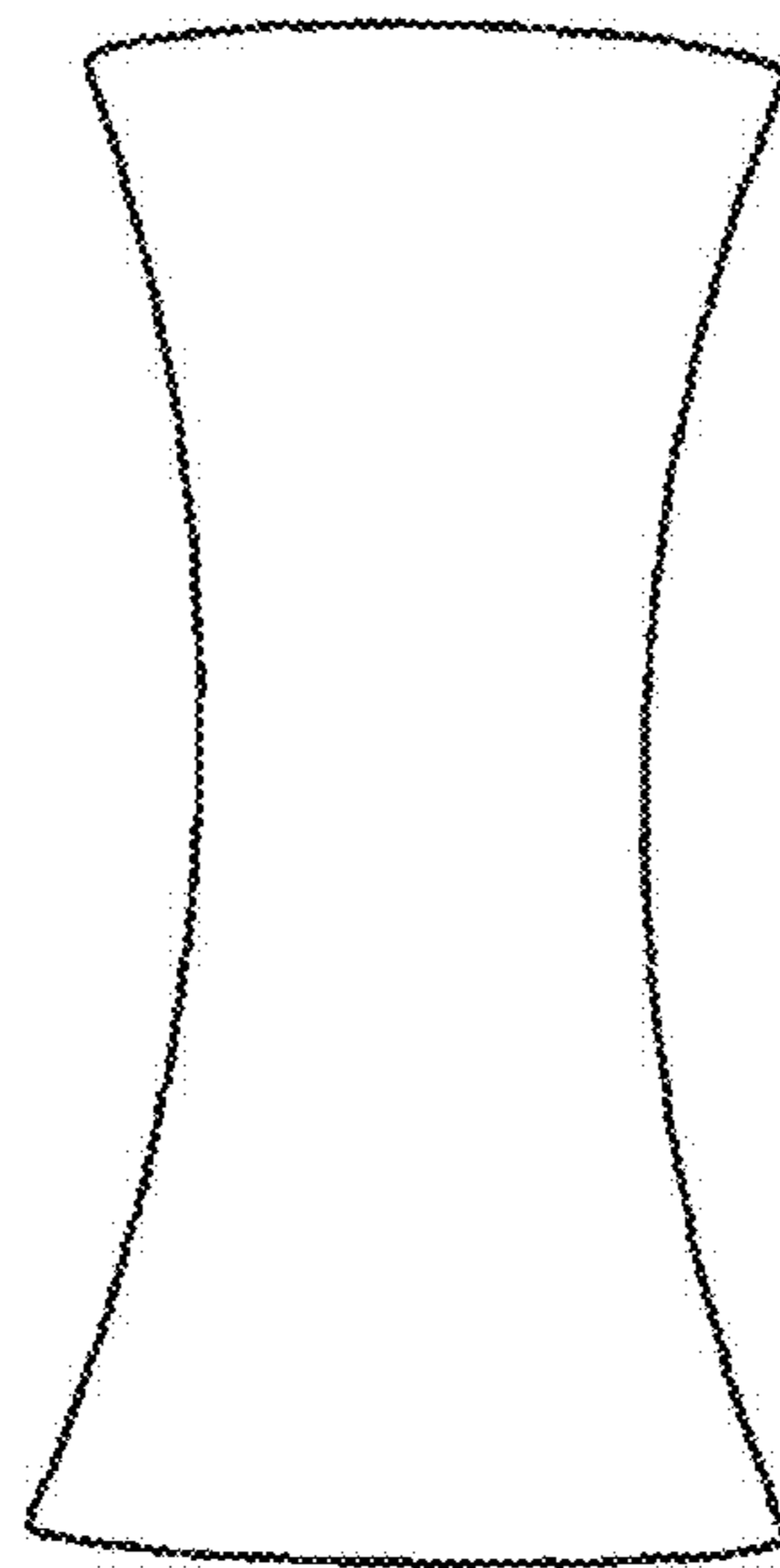
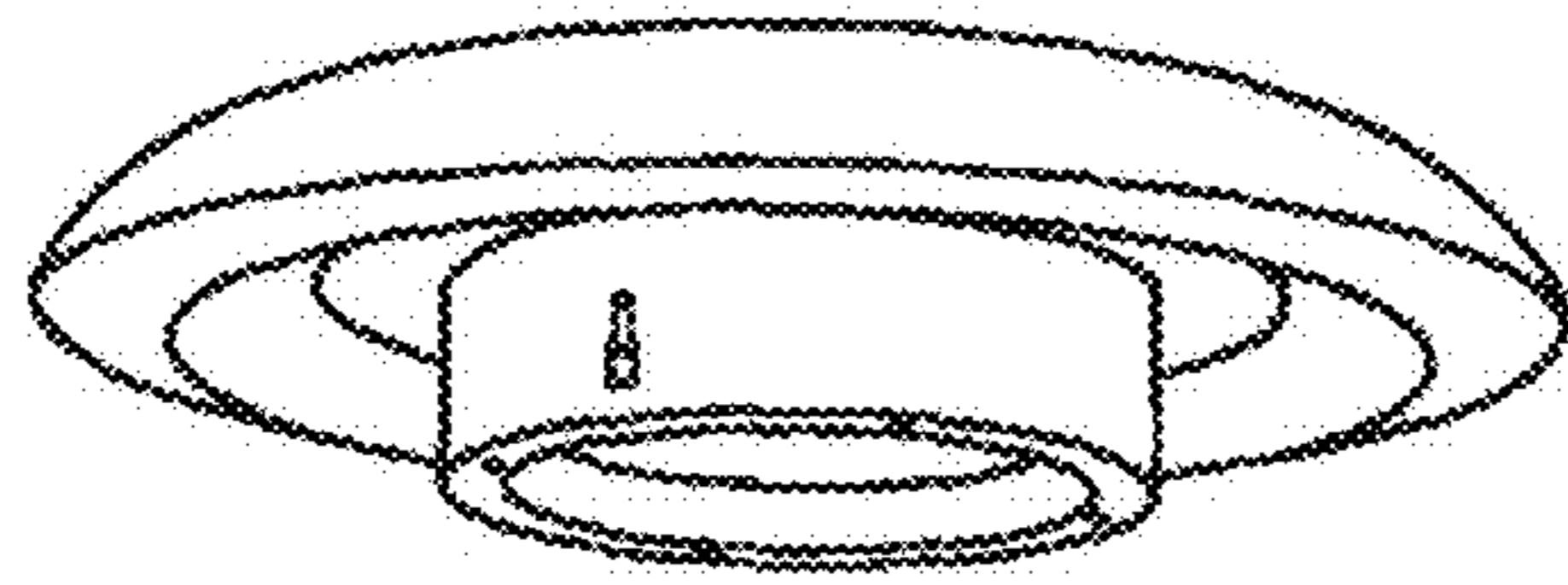


Fig. 5

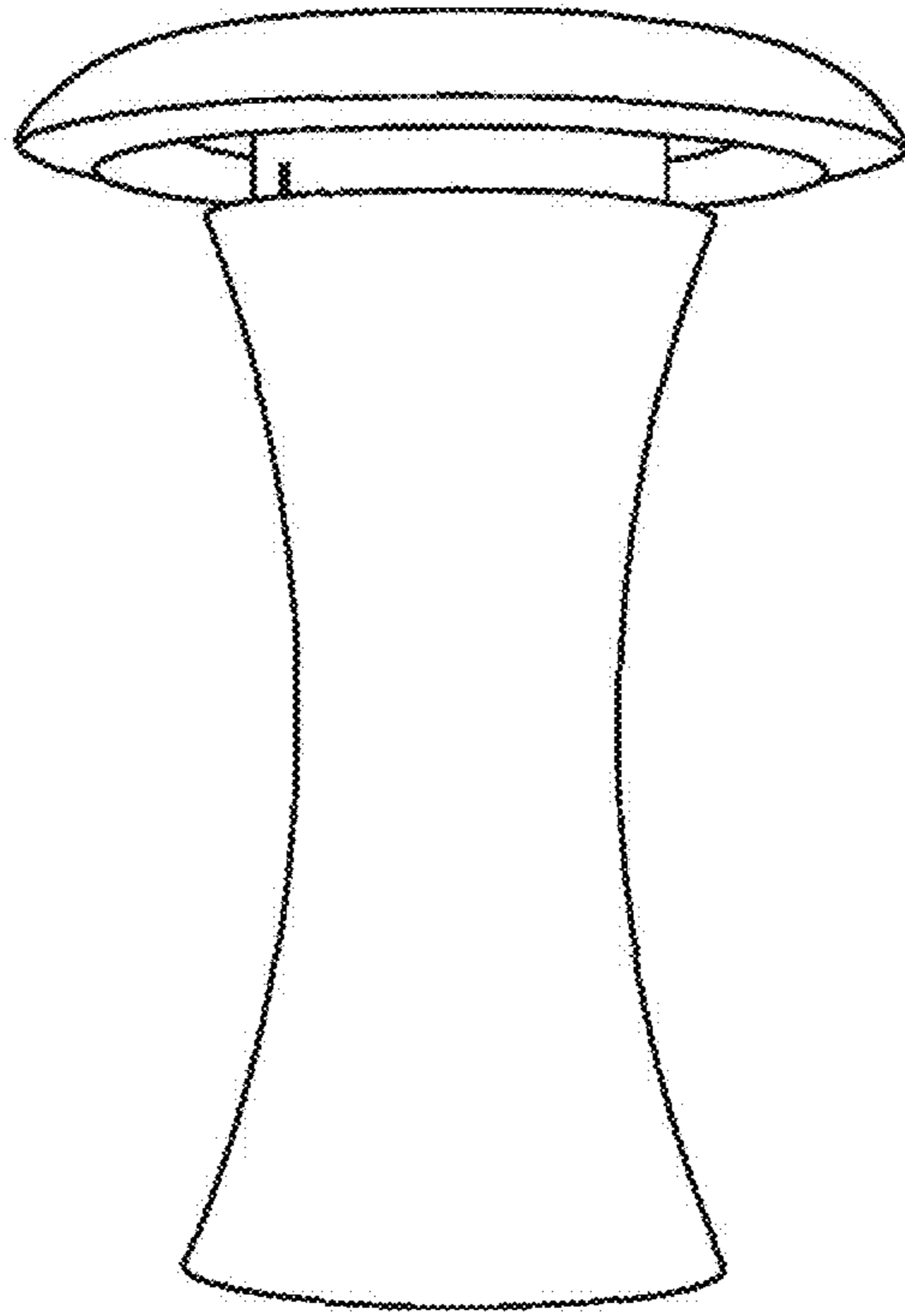


Fig. 6