



US00D672074S

(12) **United States Design Patent**
Compton

(10) **Patent No.:** **US D672,074 S**
(45) **Date of Patent:** **** Dec. 4, 2012**

(54) **LIGHTING FIXTURE**

(75) Inventor: **Wayne W. Compton**, Prescott, AZ (US)

(73) Assignee: **U.S. Pole Company, Inc.**, Palmdale, CA (US)

(**) Term: **14 Years**

(21) Appl. No.: **29/398,636**

(22) Filed: **Aug. 2, 2011**

(51) **LOC (9) Cl.** **26-05**

(52) **U.S. Cl.** **D26/67**

(58) **Field of Classification Search** D26/67-71,
D26/85, 125, 128; 347/147, 183, 431, 432,
347/373, 294, 249.02

See application file for complete search history.

(56) **References Cited**

U.S. PATENT DOCUMENTS

D65,437 S *	8/1924	Gosling	D26/67
D67,929 S *	8/1925	Lipschutz	D26/24
D77,958 S *	3/1929	Helvey	D26/67
D79,199 S *	8/1929	Merkle	D26/70
D208,663 S *	9/1967	Daum	D26/67
D208,664 S *	9/1967	Daum	D26/67
D426,319 S	6/2000	Lee		
D427,349 S	6/2000	Landefeld		
D427,350 S	6/2000	Landefeld		
D427,351 S	6/2000	Landefeld		
D427,705 S	7/2000	Landefeld		
D468,472 S	1/2003	Mullally et al.		
D512,176 S *	11/2005	Flores	D26/128
D515,231 S *	2/2006	Randazzo et al.	D26/67
D518,221 S	3/2006	Randazzo et al.		
D522,682 S *	6/2006	Burke	D26/67
D524,475 S	7/2006	Randazzo et al.		
D581,573 S *	11/2008	Acedo et al.	D26/67

D617,490 S *	6/2010	Hackett	D26/85
D626,677 S *	11/2010	Hackett	D26/67
8,021,027 B2 *	9/2011	Galipeau et al.	362/431

OTHER PUBLICATIONS

Architectural Area Lighting, Spectra™ Catalogue, Copyright 2005, 33 pgs.

Architectural Area Lighting, Providence™ Catalogue, Copyright 2007, 32 pgs.

U.S. Architectural Lighting & Sun Valley Lighting, Sigma™ Catalogue, 6 pgs.

U.S. Architectural Lighting & Sun Valley Lighting, Luminaire Accessories Ordering Information and Specifications Page, 3 pgs.

U.S. Architectural Lighting & Sun Valley Lighting, Circulux Specification Sheets, facsimile dated Jun. 9, 2008, 4 pgs.

U.S. Architectural Lighting & Sun Valley Lighting, Specifications Sheet, facsimile dated Jul. 22, 2008, 1 pg.

U.S. Architectural Lighting & Sun Valley Lighting, Product Information Sheet, web page printout dated Aug. 13, 2008 obtained from <http://www.usaltg.com/OC-ASR.html>, 1 pg.

U.S. Architectural Lighting & Sun Valley Lighting, Top View Specifications, facsimile dated Sep. 4, 2008, 1 pg.

* cited by examiner

Primary Examiner — Clare E Heflin

(74) *Attorney, Agent, or Firm* — Christie, Parker & Hale, LLP

(57) **CLAIM**

The ornamental design for a lighting fixture, as shown and described.

DESCRIPTION

FIG. 1 is a perspective view of thereof the design;

FIG. 2 is a side view thereof;

FIG. 3 is a top view thereof; and,

FIG. 4 is a bottom view thereof.

1 Claim, 4 Drawing Sheets

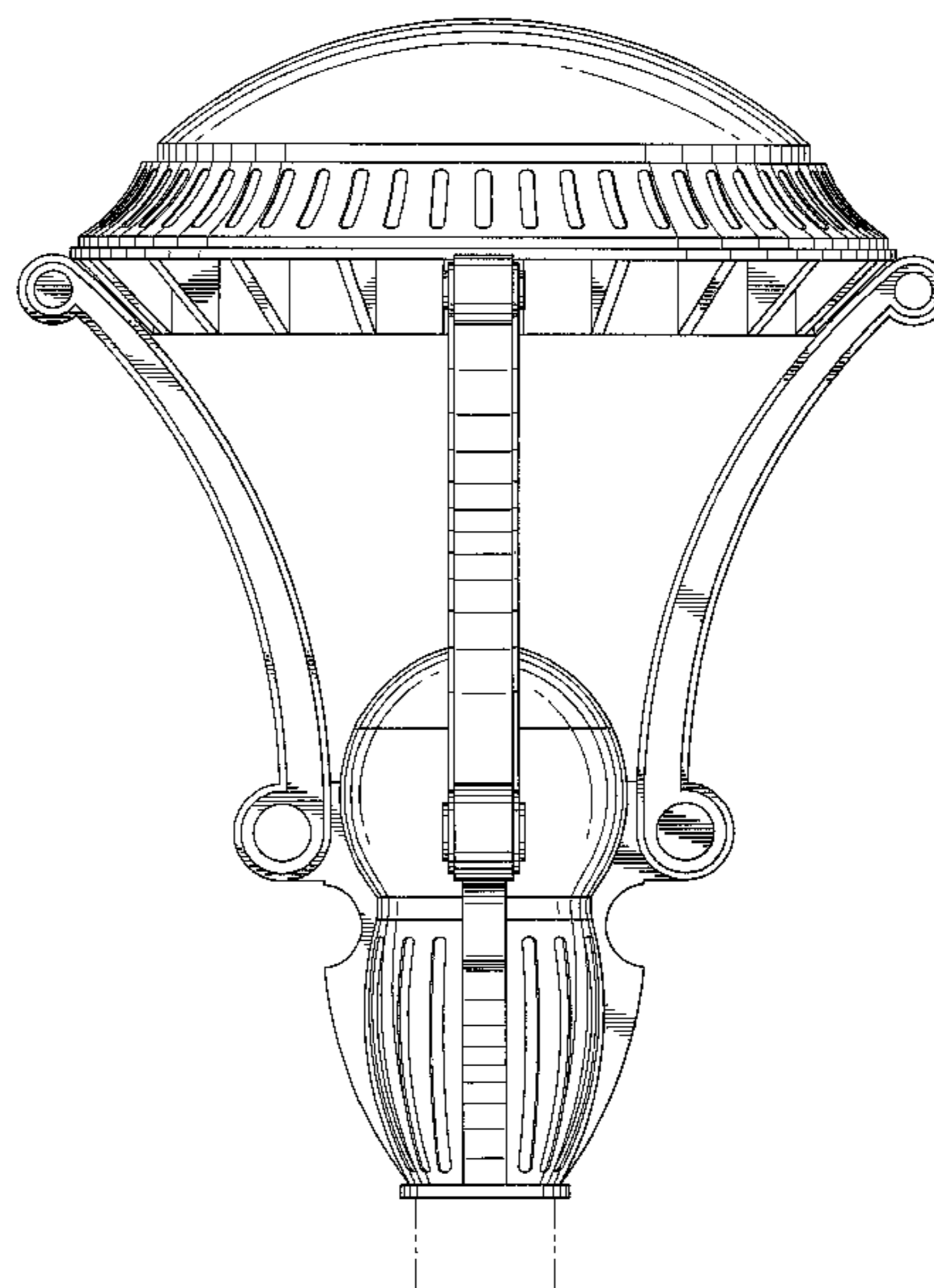
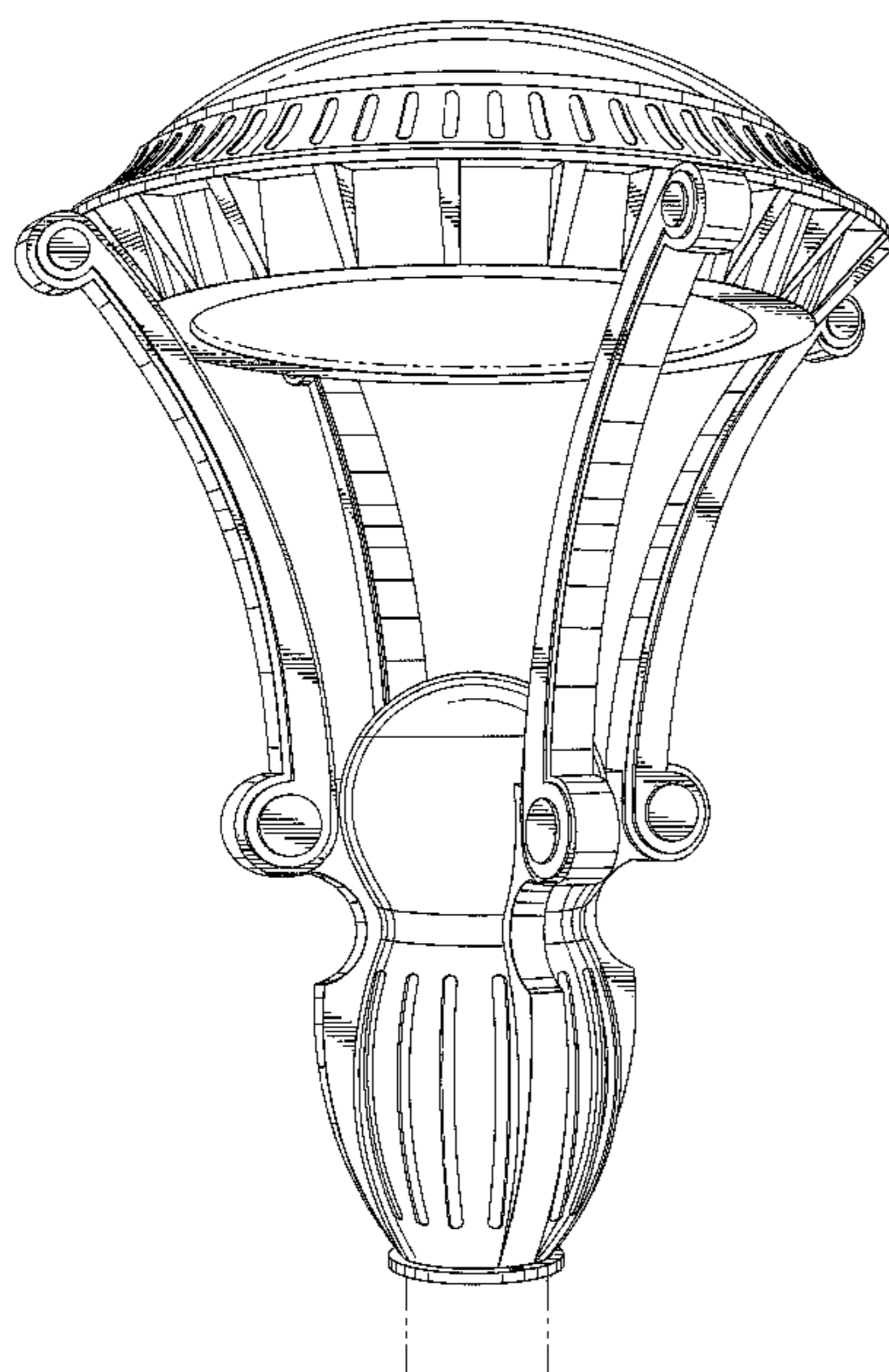


FIG. 1

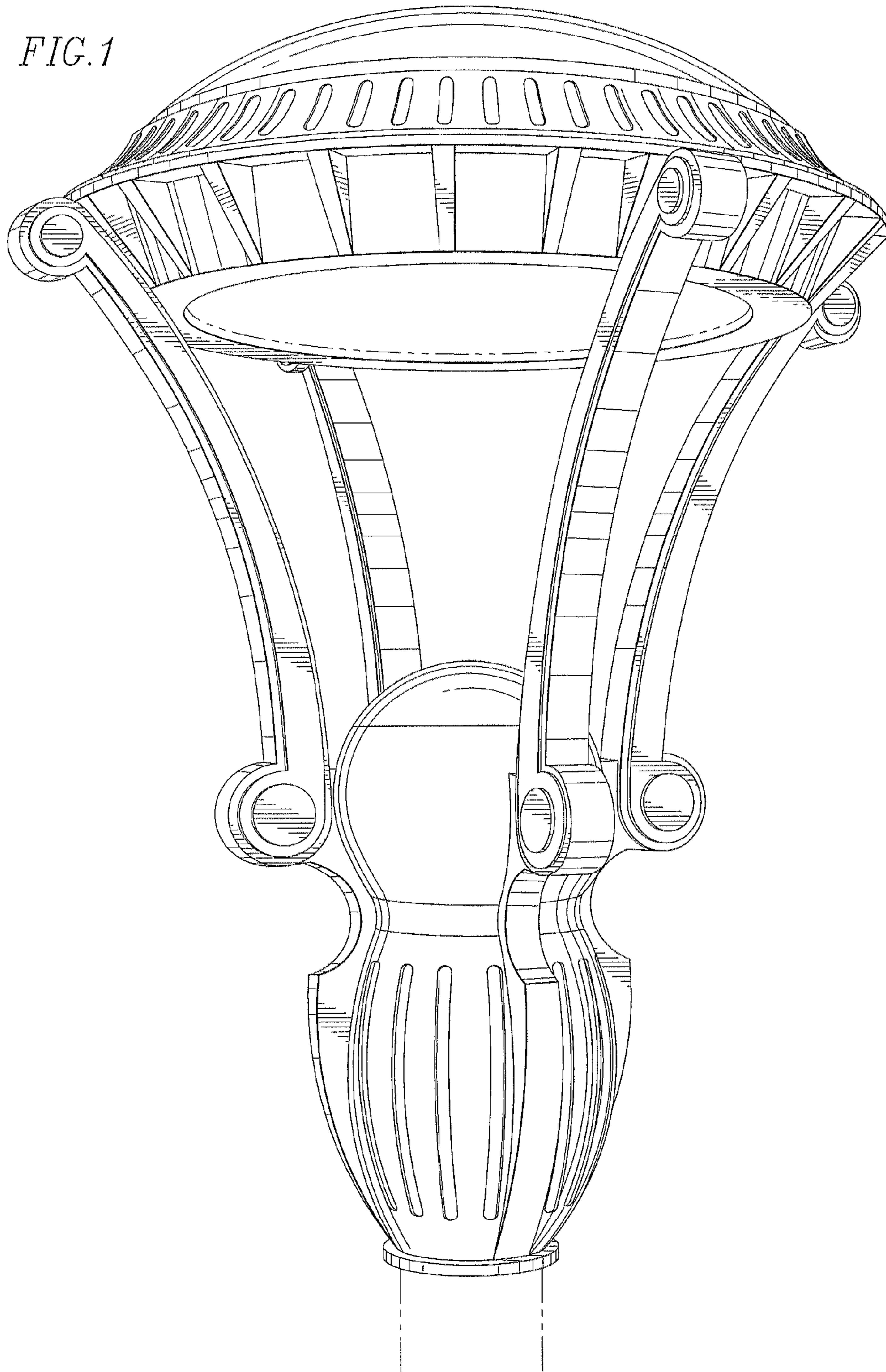


FIG. 2

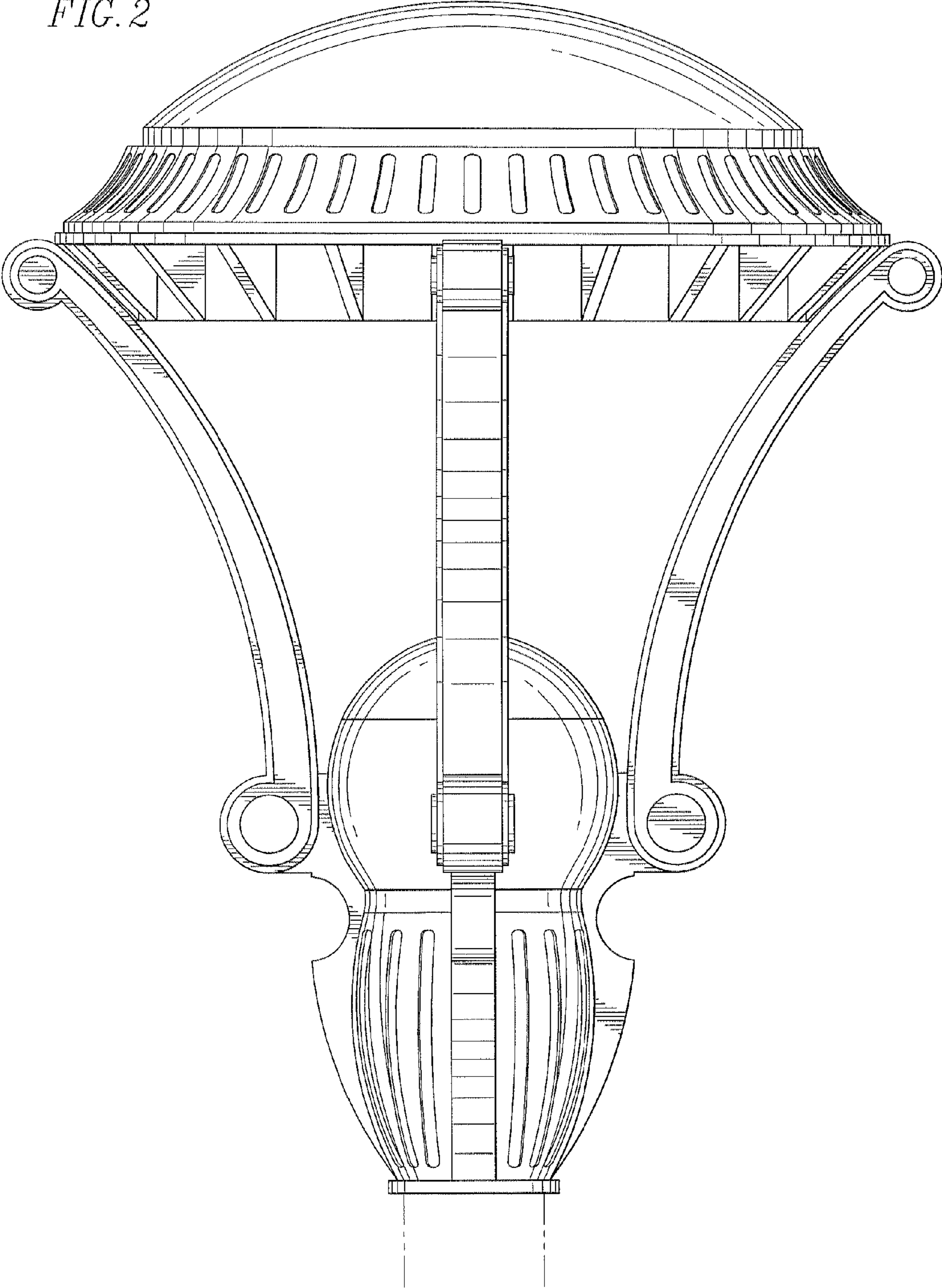


FIG. 3

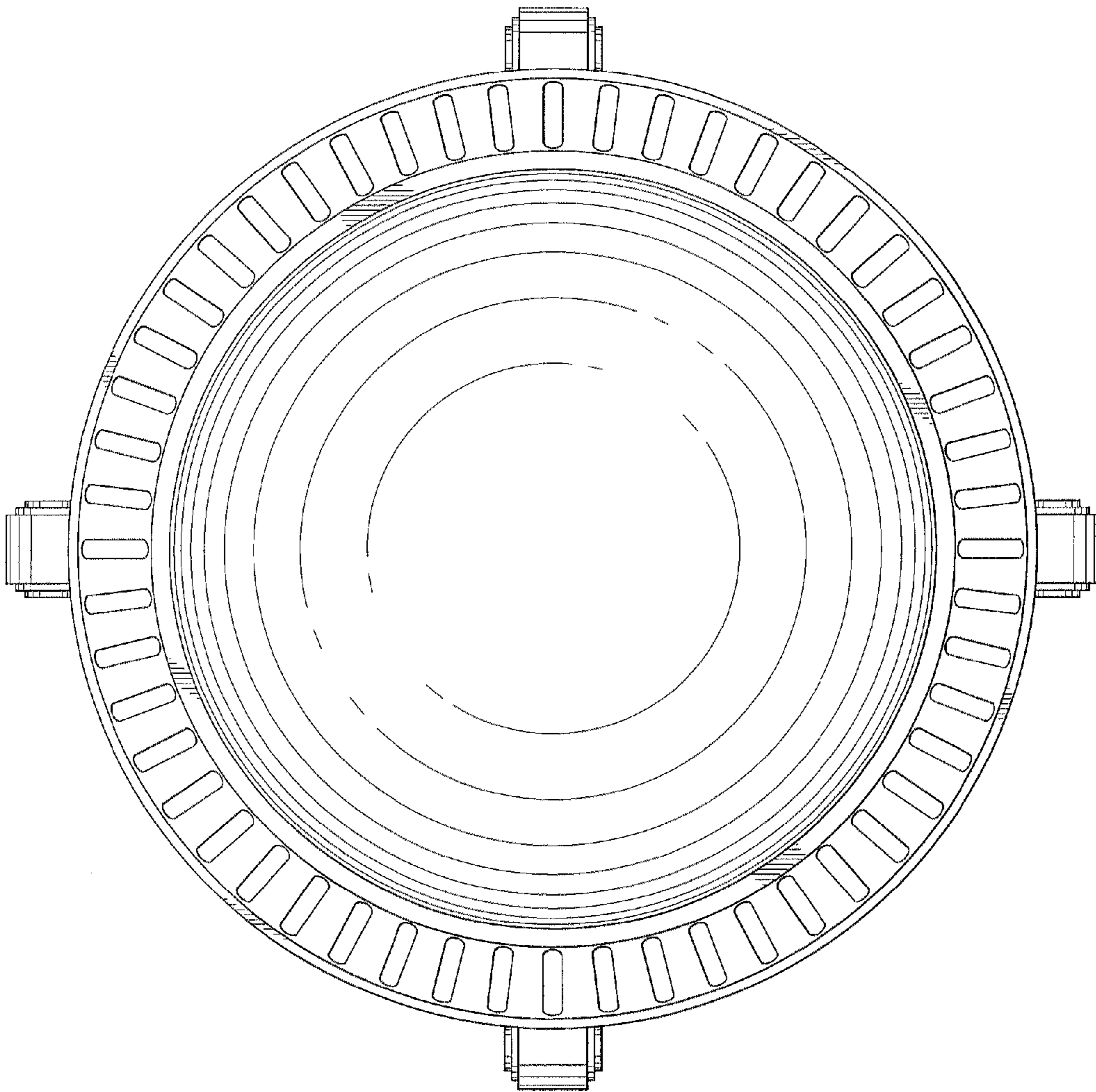


FIG. 4

