



US00D672069S

(12) **United States Design Patent**
Cohen

(10) **Patent No.:** **US D672,069 S**

(45) **Date of Patent:** **** Dec. 4, 2012**

(54) **SNOW BLOWER LIGHT**

(75) **Inventor:** **Joseph Cohen**, New York, NY (US)

(73) **Assignee:** **Snow Joe, LLC**, Edison, NJ (US)

(**) **Term:** **14 Years**

(21) **Appl. No.:** **29/387,806**

(22) **Filed:** **Mar. 18, 2011**

(51) **LOC (9) Cl.** **26-06**

(52) **U.S. Cl.** **D26/31; D26/28**

(58) **Field of Classification Search** D26/28-36;
362/459-468, 475-478, 485-487

See application file for complete search history.

(56) **References Cited**

U.S. PATENT DOCUMENTS

D326,282 S * 5/1992 Spoljaric D20/10
7,493,711 B2 2/2009 Gautreau et al.
7,540,102 B2 6/2009 Olmr et al.

D656,258 S * 3/2012 Georgitsis et al. D26/31
2006/0218823 A1 10/2006 Olmr et al.
2009/0205226 A1 8/2009 Olmr et al.

* cited by examiner

Primary Examiner — Marcus Jackson

(74) *Attorney, Agent, or Firm* — Seyfarth Shaw LLP; Ilan N. Barzilay

(57) **CLAIM**

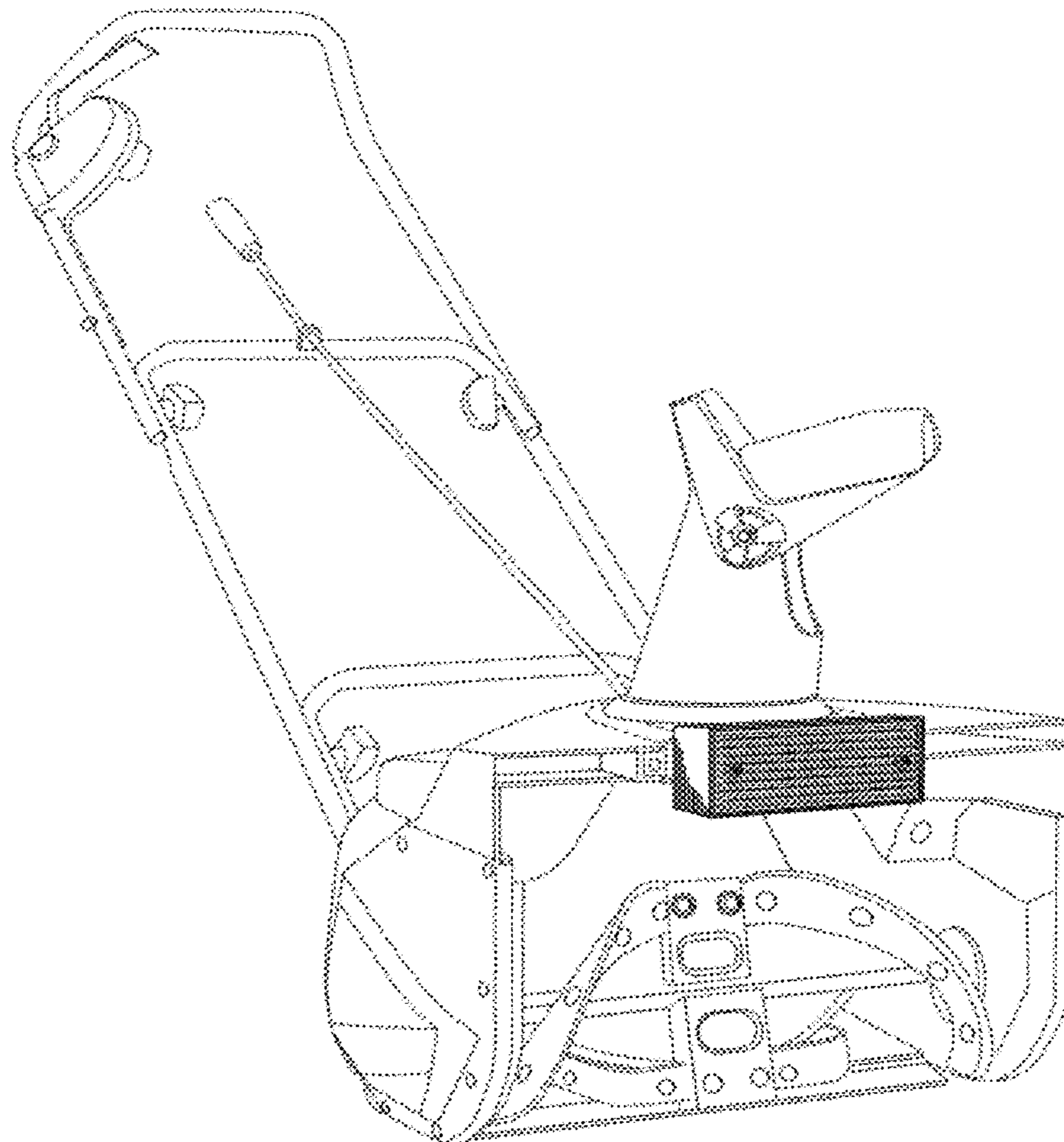
The ornamental design for the snow blower light, as shown and described.

DESCRIPTION

FIG. 1 is a perspective view embodying the design of a snow blower light of the present invention; FIG. 2 is a front view of the snow blower light; FIG. 3 is a side view of the snow blower light; and, FIG. 4 is a top view of the snow blower light.

The broken line showing of the snow blower is included for the purpose of illustrating only and forms no part of the claimed design.

1 Claim, 2 Drawing Sheets



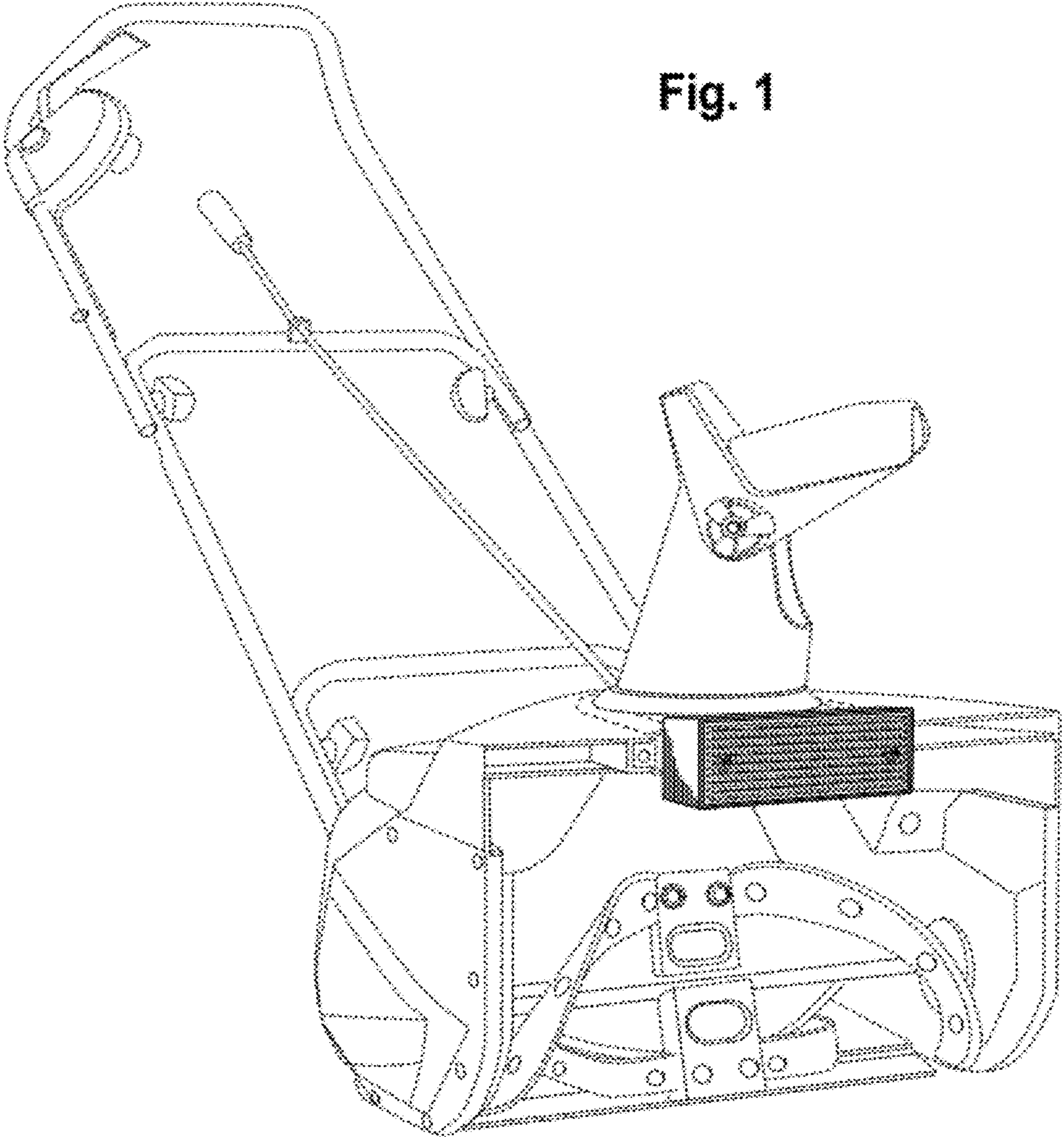


Fig. 1

Fig. 4

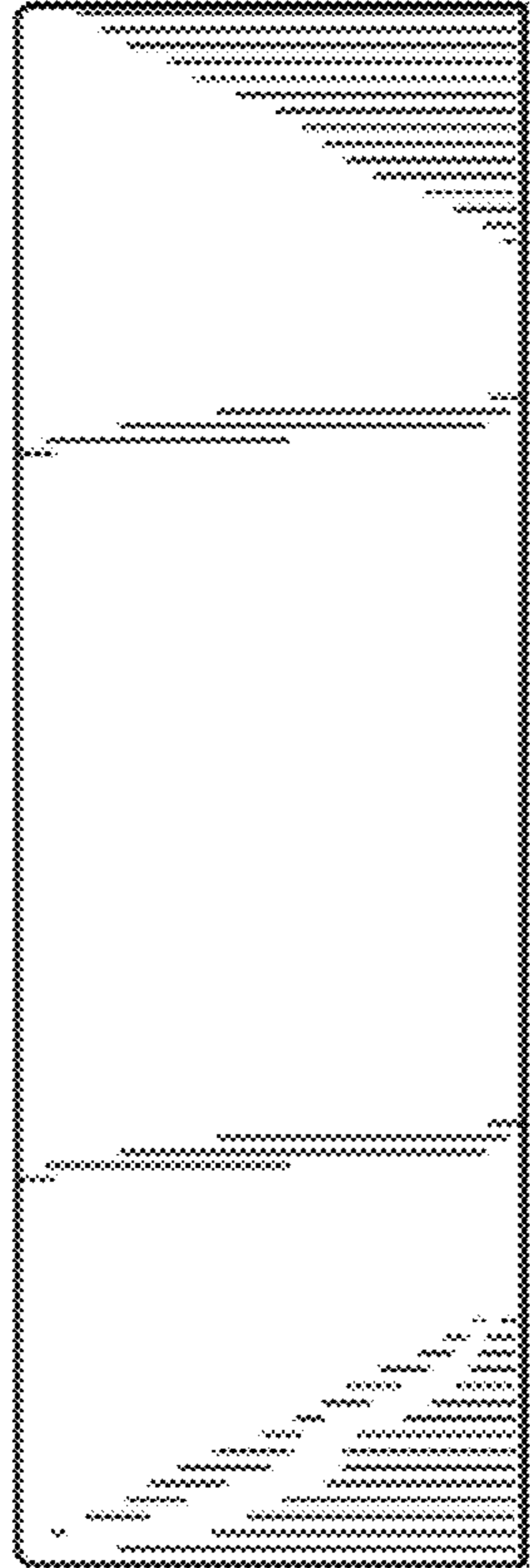


Fig. 3

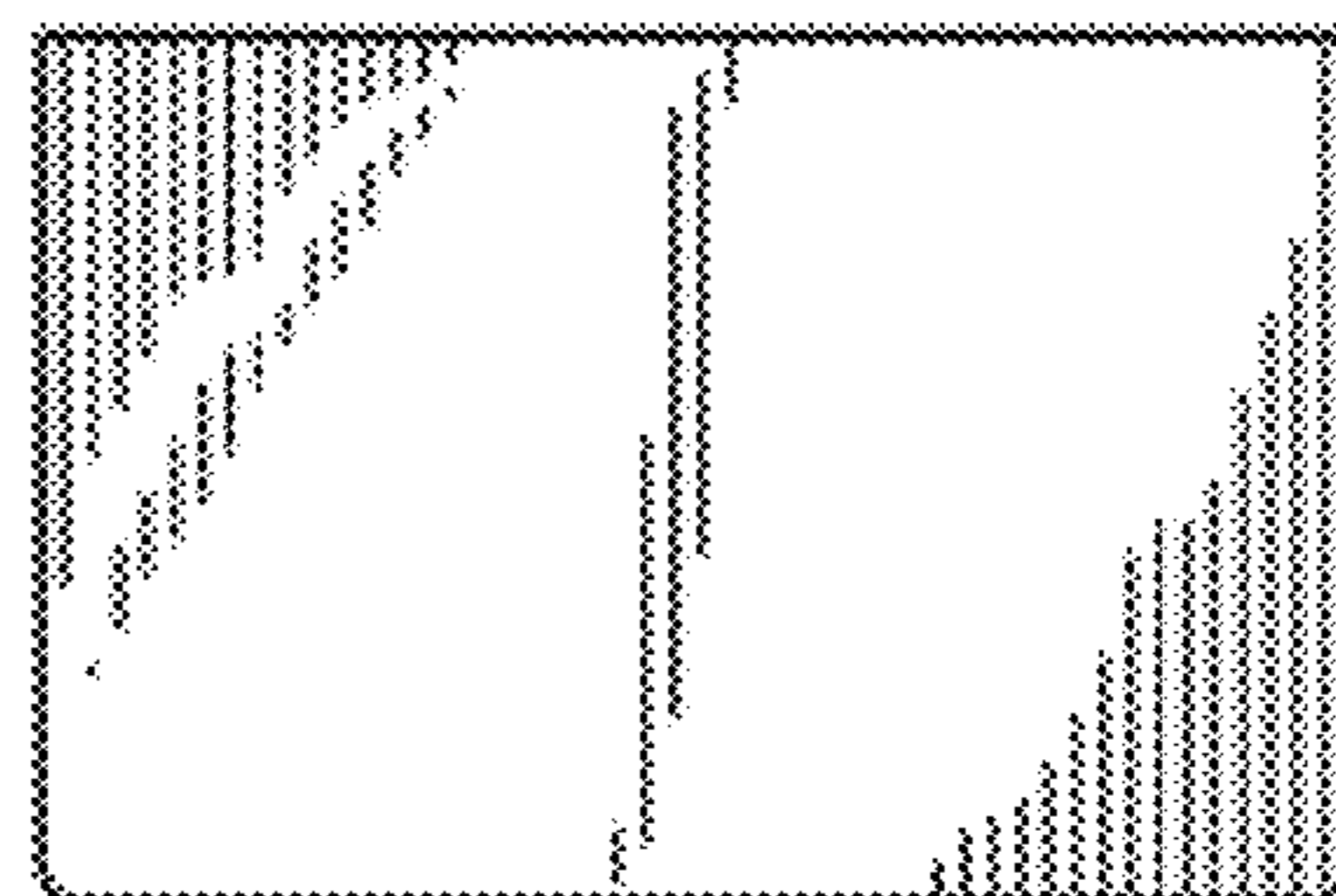
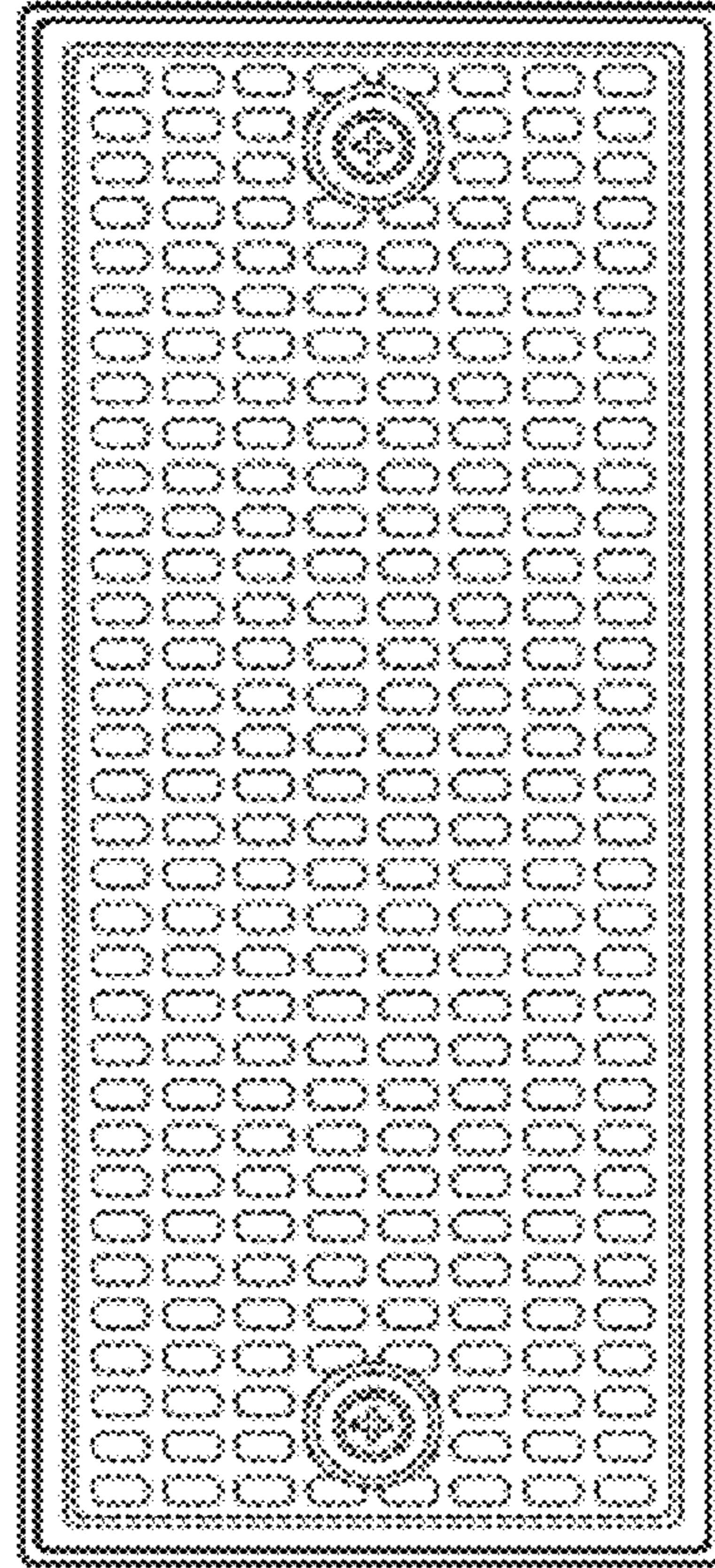


Fig. 2



UNITED STATES PATENT AND TRADEMARK OFFICE
CERTIFICATE OF CORRECTION

PATENT NO. : D672,069 S
APPLICATION NO. : 29/387806
DATED : December 4, 2012
INVENTOR(S) : Joseph Cohen

Page 1 of 4

It is certified that error appears in the above-identified patent and that said Letters Patent is hereby corrected as shown below:

Title Page, illustrative fig. 1 should be deleted and substitute therefor the attached title page consisting of illustrative fig. 1.

In the Drawings:

Fig(s) 1 and 2 should be deleted and substitute therefor the attached figure(s) 1 and 2 as shown on the attached pages.

Signed and Sealed this
Twenty-eighth Day of January, 2014



Michelle K. Lee
Deputy Director of the United States Patent and Trademark Office

(12) **United States Design Patent**
Cohen

(10) **Patent No.:** **US D672,069 S**
(45) **Date of Patent:** **** Dec. 4, 2012**

(54) **SNOW BLOWER LIGHT**

(75) **Inventor:** **Joseph Cohen, New York, NY (US)**

(73) **Assignee:** **Snow Joe, LLC, Edison, NJ (US)**

(**) **Term:** **14 Years**

(21) **Appl. No.:** **29/387,806**

(22) **Filed:** **Mar. 18, 2011**

(51) **LOC (9) Cl.** **26-06**

(52) **U.S. Cl.** **D26/31; D26/28**

(58) **Field of Classification Search** **D26/28-36;**
362/459-468, 475-478, 485-487

See application file for complete search history.

(56) **References Cited**

U.S. PATENT DOCUMENTS

D326,282 S * 5/1992 Spoljaric D20/10
7,493,711 B2 2/2009 Gautreau et al.
7,540,102 B2 6/2009 Olmr et al.

D656,258 S * 3/2012 Georgitsis et al. D26/31
2006/0218823 A1 10/2006 Olmr et al.
2009/0205226 A1 8/2009 Olmr et al.

* cited by examiner

Primary Examiner — Marcus Jackson

(74) *Attorney, Agent, or Firm* — Seyfarth Shaw LLP; Ilan N. Barzilay

(57) **CLAIM**

The ornamental design for the snow blower light, as shown and described.

DESCRIPTION

FIG. 1 is a perspective view embodying the design of a snow blower light of the present invention; FIG. 2 is a front view of the snow blower light; FIG. 3 is a side view of the snow blower light; and, FIG. 4 is a top view of the snow blower light.

The broken line showing of the snow blower is included for the purpose of illustrating only and forms no part of the claimed design.

1 Claim, 2 Drawing Sheets

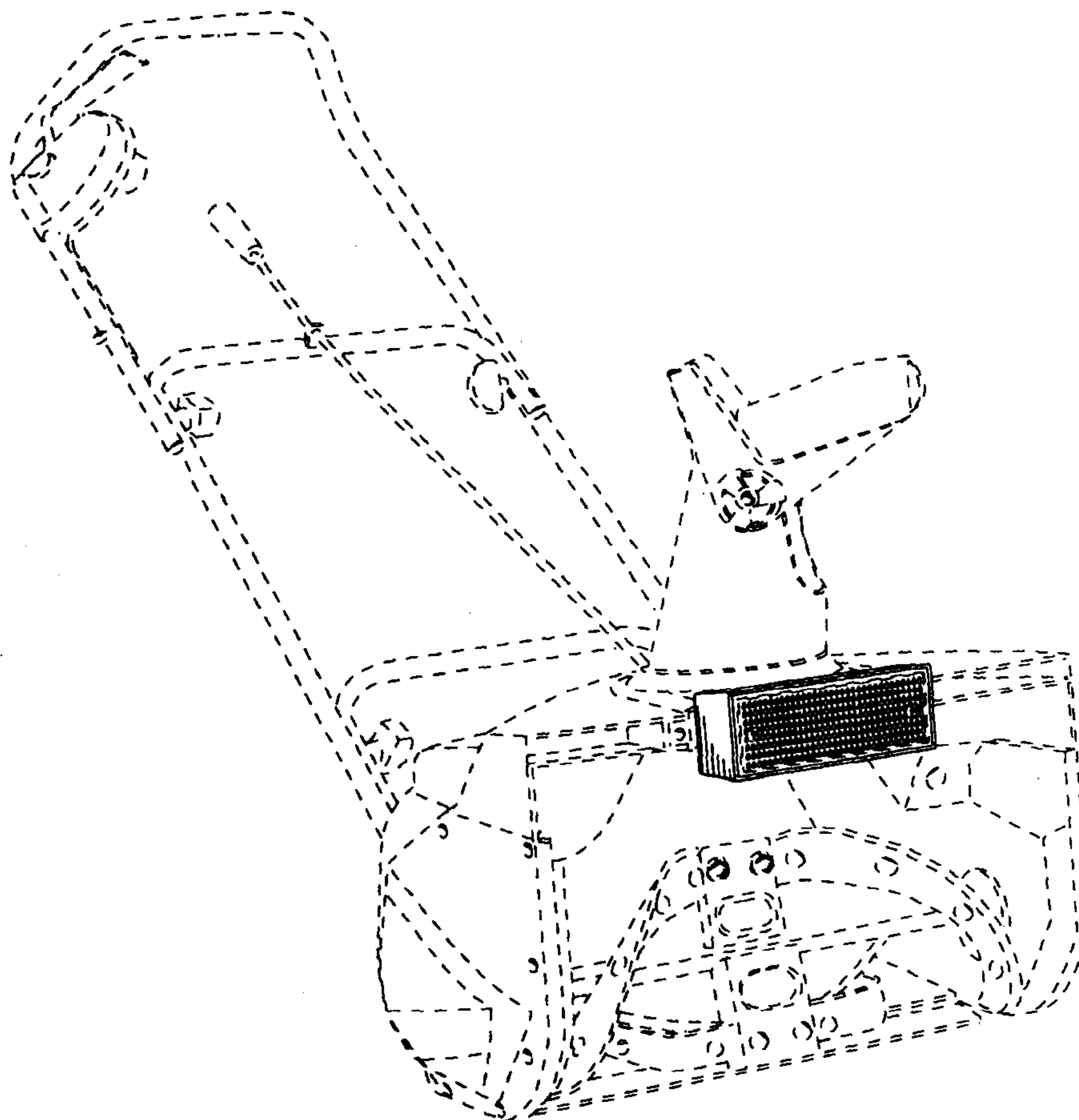


Fig. 1

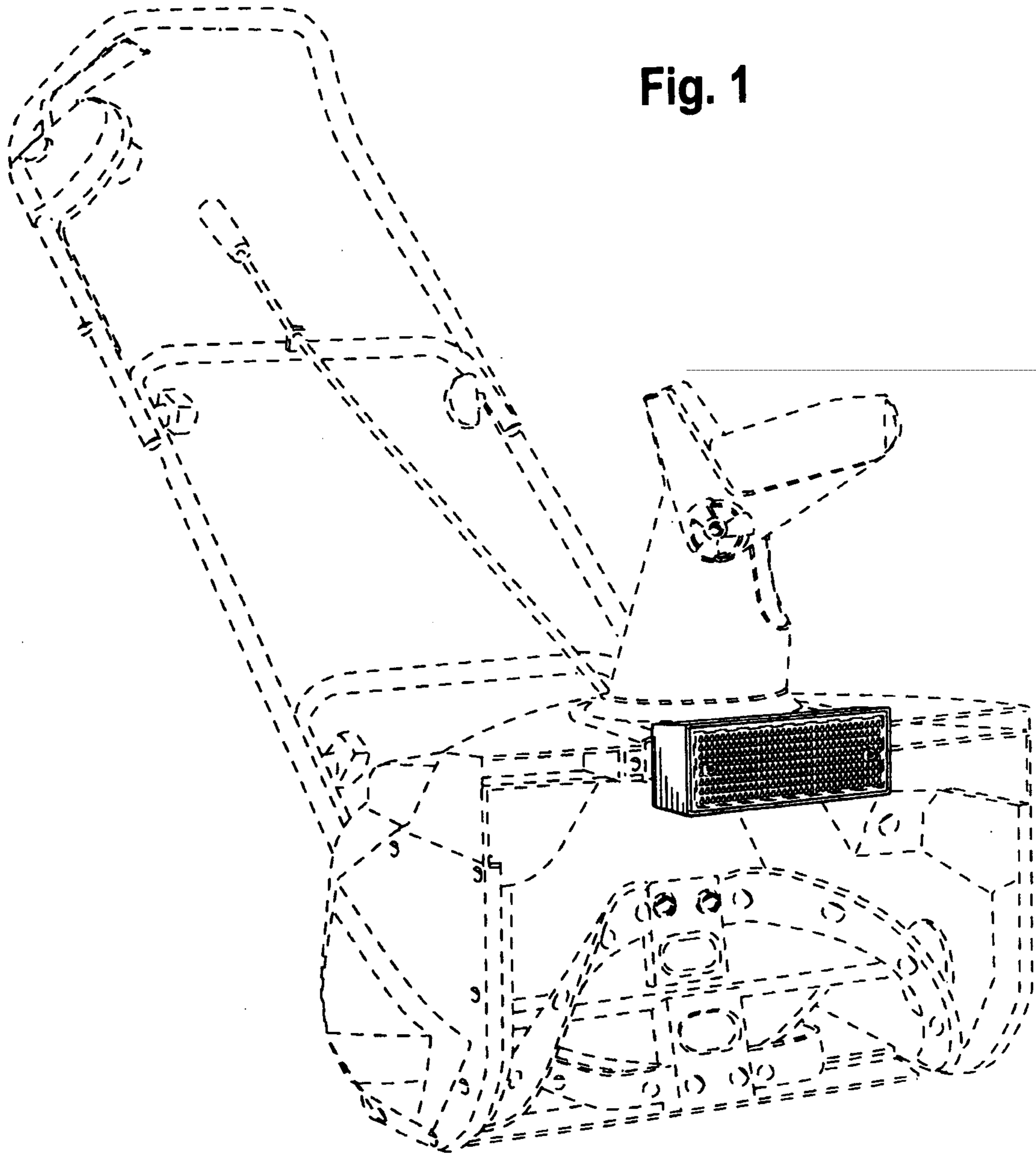


Fig. 4

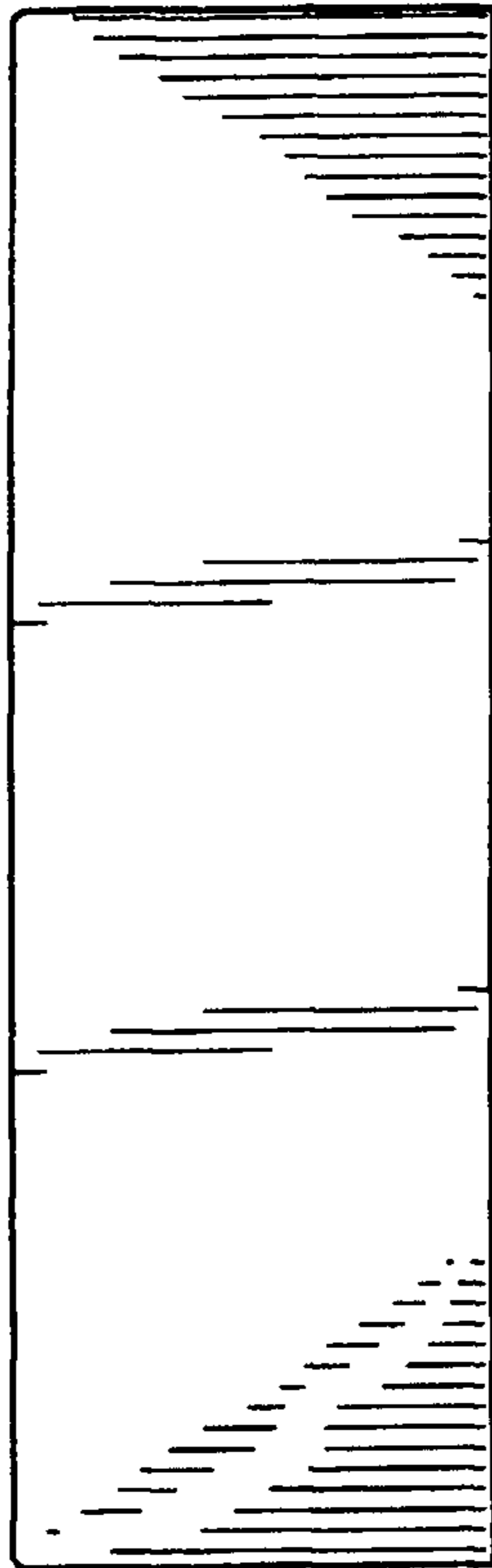


Fig. 3

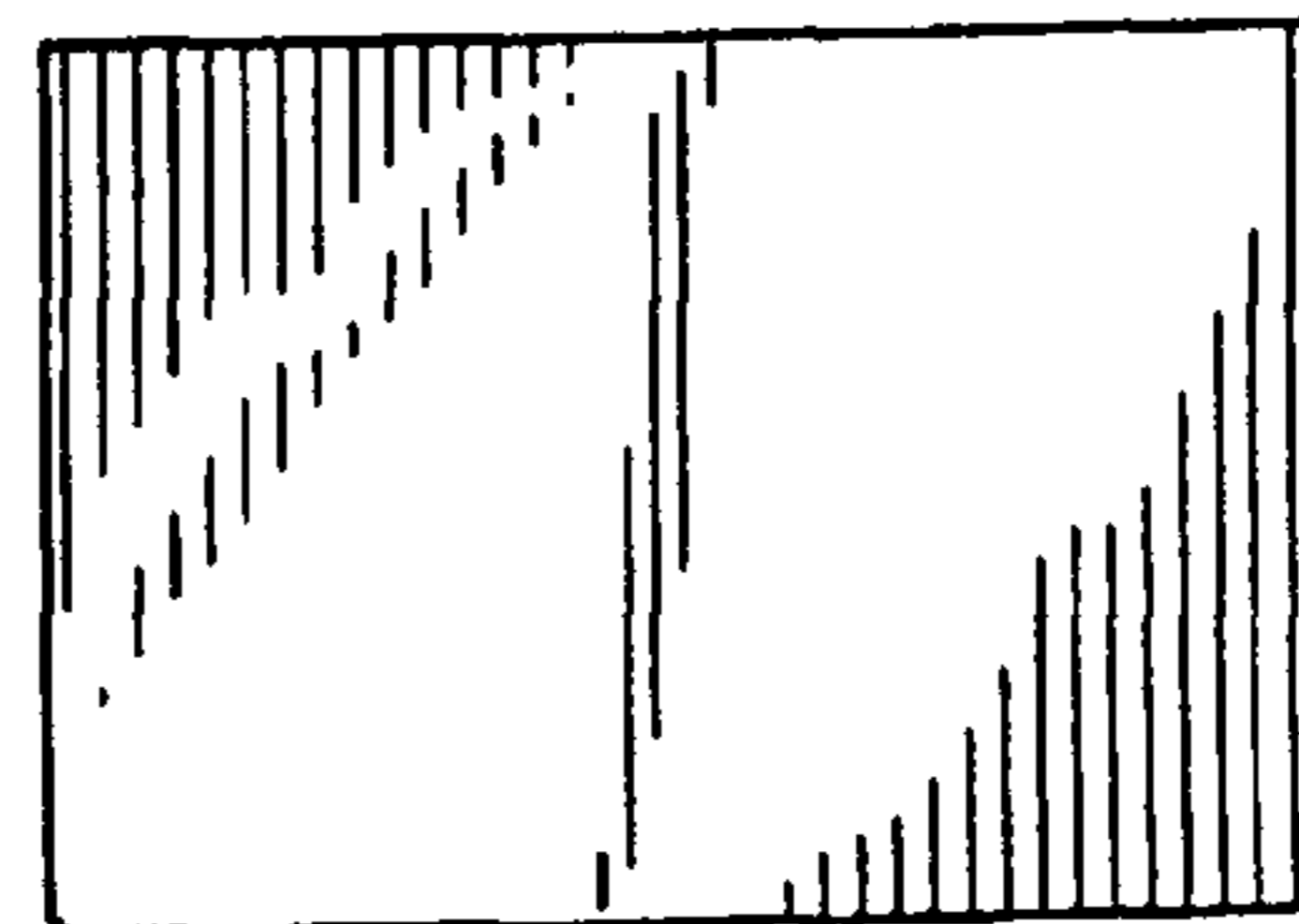


Fig. 2

