



US00D672067S

(12) **United States Design Patent**
Frenzel et al.

(10) **Patent No.:** **US D672,067 S**

(45) **Date of Patent:** **** Dec. 4, 2012**

(54) **HEADLIGHT FOR A VEHICLE**

(75) Inventors: **Klaus Frenzel**, Winnenden (DE);
Hans-Dieter Futschik, Gechingen (DE);
Stefan Handt, Stuttgart (DE); **Gorden**
Wagener, Stuttgart (DE); **Juergen**
Wiesen, Aidlingen (DE)

(73) Assignee: **Daimler AG**, Stuttgart (DE)

(**) Term: **14 Years**

(21) Appl. No.: **29/371,271**

(22) Filed: **Dec. 16, 2010**

(30) **Foreign Application Priority Data**

Jun. 30, 2010 (DE) 40 2010 003 490

(51) **LOC (9) Cl.** **26-06**

(52) **U.S. Cl.** **D26/28**

(58) **Field of Classification Search** D26/28-36;
362/459-468, 475-478, 485-487

See application file for complete search history.

(56) **References Cited**

U.S. PATENT DOCUMENTS

D508,136 S	8/2005	Pfeiffer	
D511,716 S	11/2005	Pfeiffer	
D556,349 S *	11/2007	Golden et al.	D26/28
D560,291 S *	1/2008	Koyama	D26/28
D561,358 S *	2/2008	Tachibana	D26/28
D634,867 S *	3/2011	Frenzel et al.	D26/28

* cited by examiner

Primary Examiner — Marcus Jackson

(74) *Attorney, Agent, or Firm* — Crowell & Moring LLP

(57) **CLAIM**

The ornamental design for a headlight for a vehicle, as shown and described.

DESCRIPTION

This application contains subject matter related to the following co-pending U.S. design patent applications: Application Ser. No. 29/371,267, filed herewith and entitled "Vehicle, Toy, and/or Replicas Thereof"; Application Ser. No. 29/371,268, filed herewith and entitled "Front Portion of a Vehicle, Toy, and/or Replicas Thereof"; Application Ser. No. 29/371,272, filed herewith and entitled "Headlight for a Vehicle"; and Application Ser. No. 29/371,273, filed herewith and entitled "Headlight for a Vehicle".

FIG. 1 is a right perspective view of a first embodiment of a headlight for a vehicle according to our design;

FIG. 2 is a right side view thereof;

FIG. 3 is a front view thereof; and

FIG. 4 is a top view thereof.

FIG. 5 a left perspective view of a second embodiment of the headlight for a vehicle according to our design, with the headlight for a vehicle for the opposite side of the vehicle being depicted in the first embodiment;

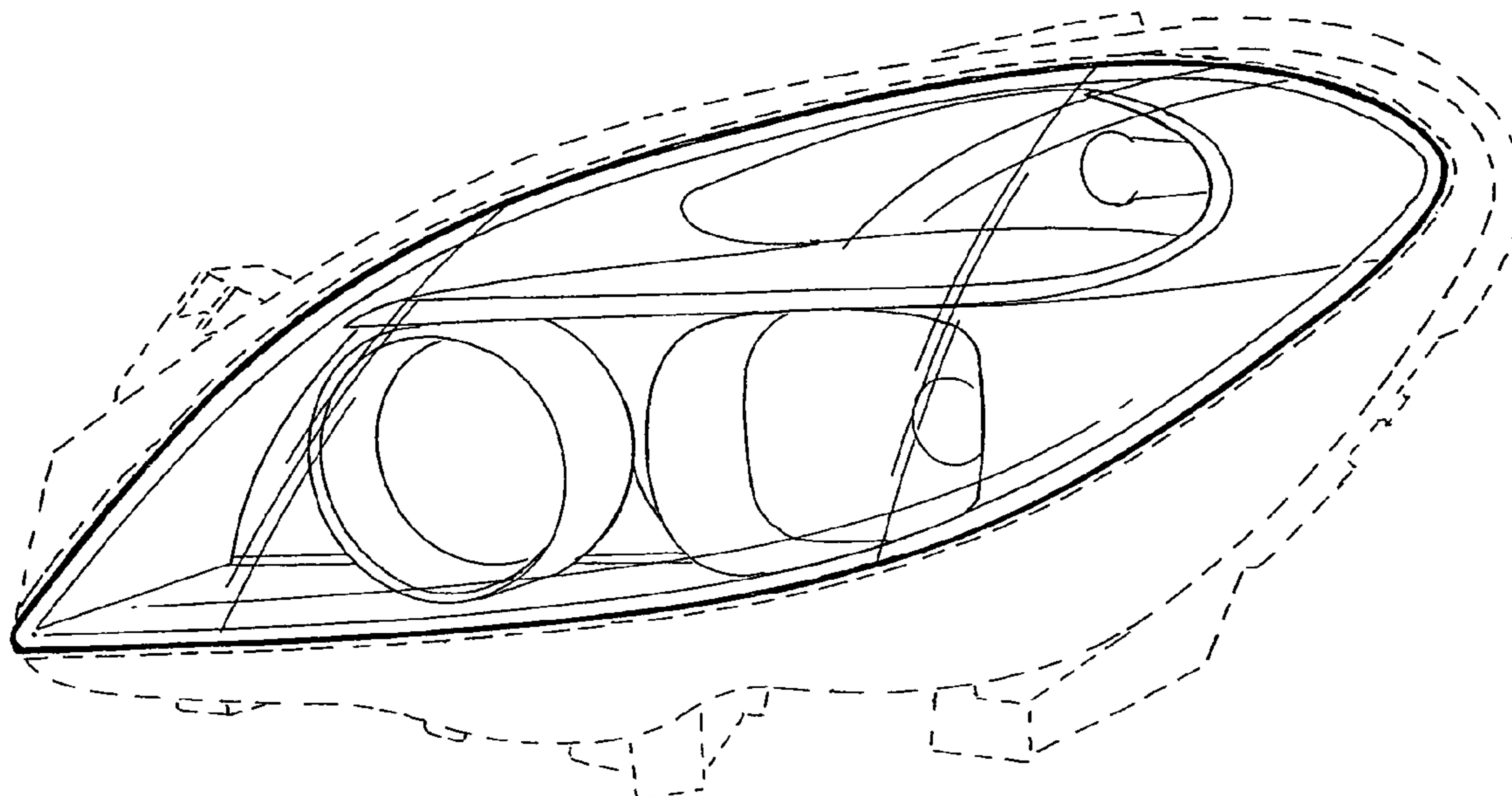
FIG. 6 is a left side view thereof;

FIG. 7 is a front view thereof; and,

FIG. 8 is a top view thereof.

The broken lines are for illustrative purposes only and form no part of the claimed design.

1 Claim, 4 Drawing Sheets



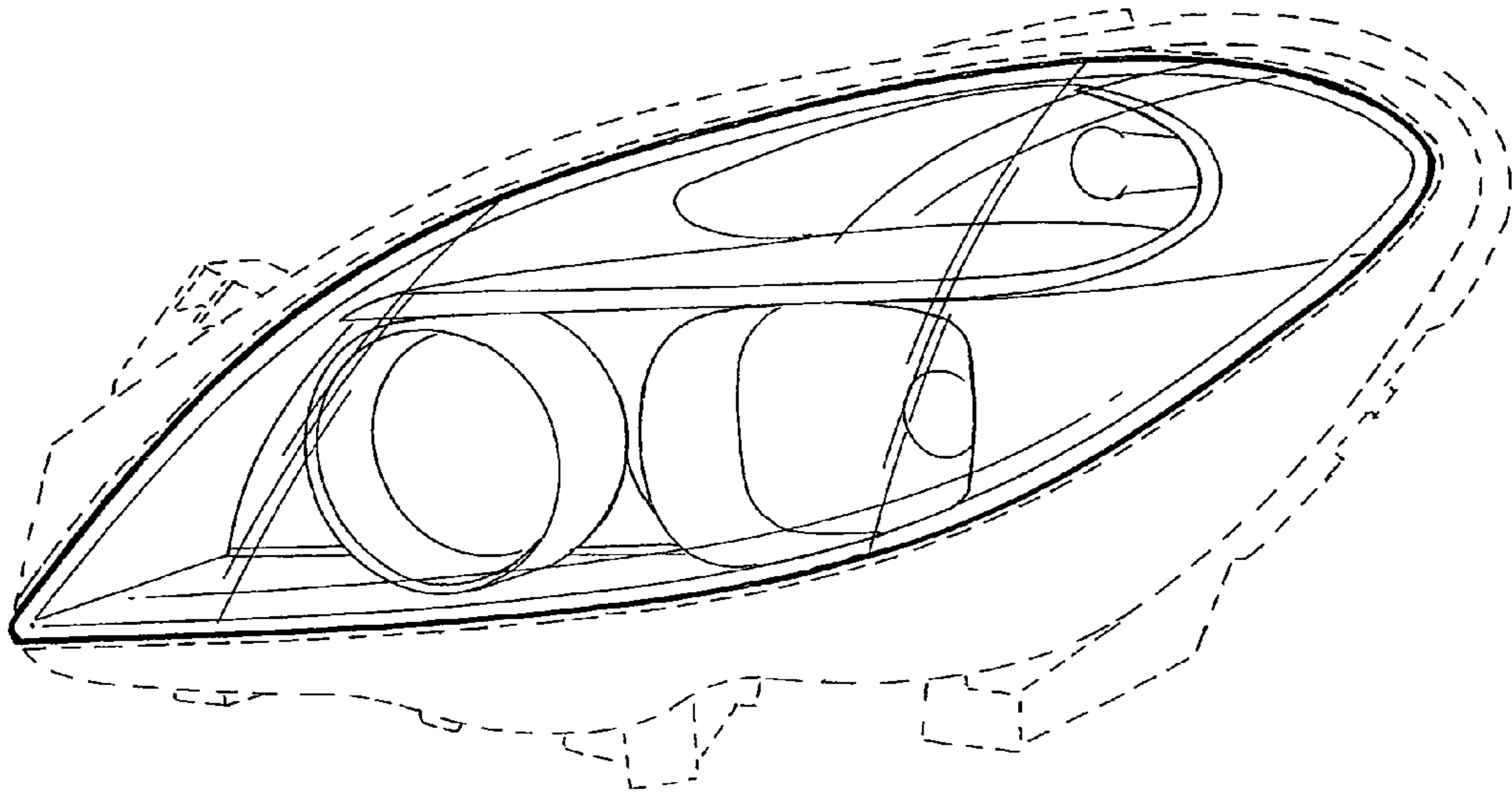


FIG. 1

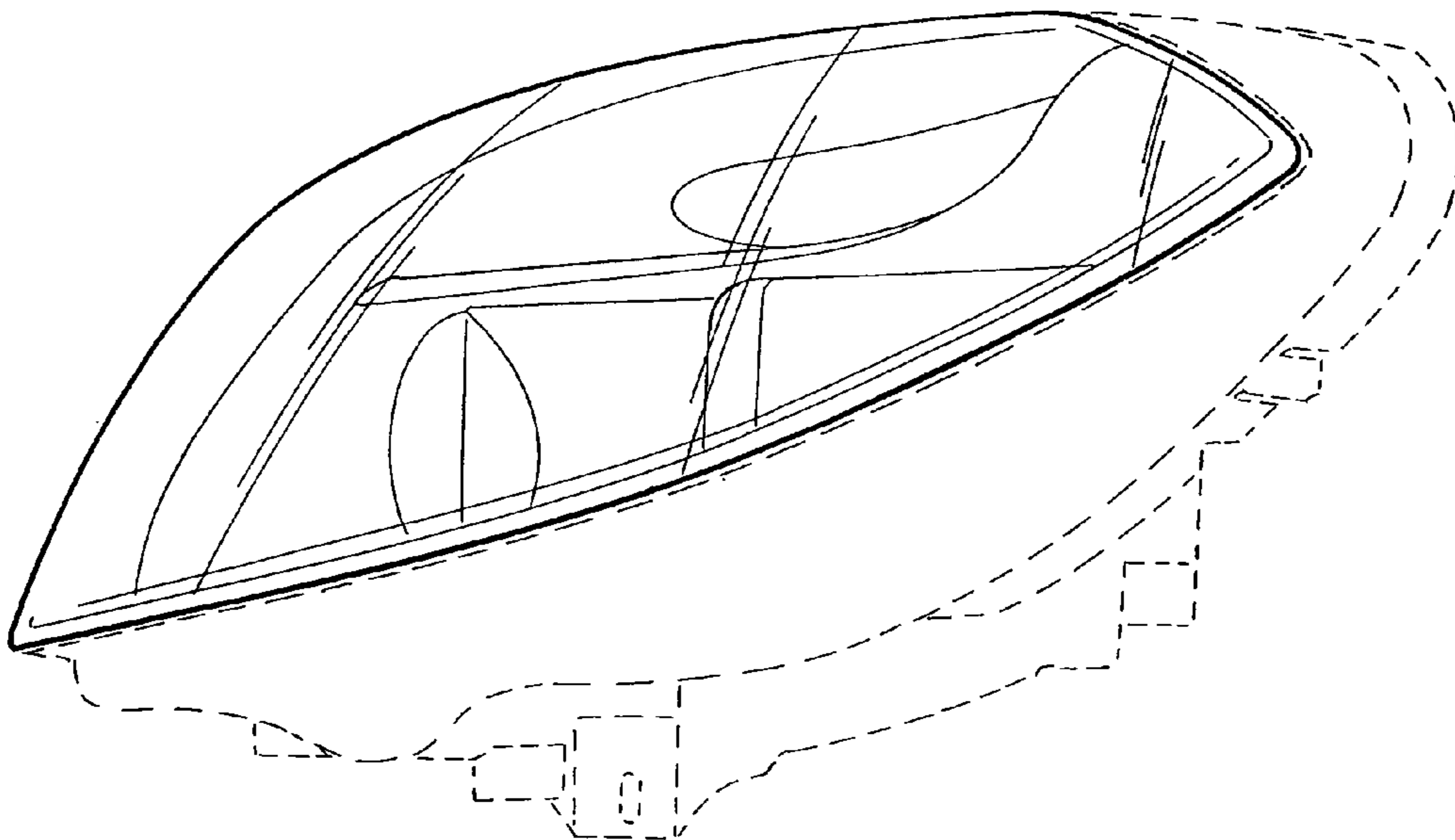


FIG. 2

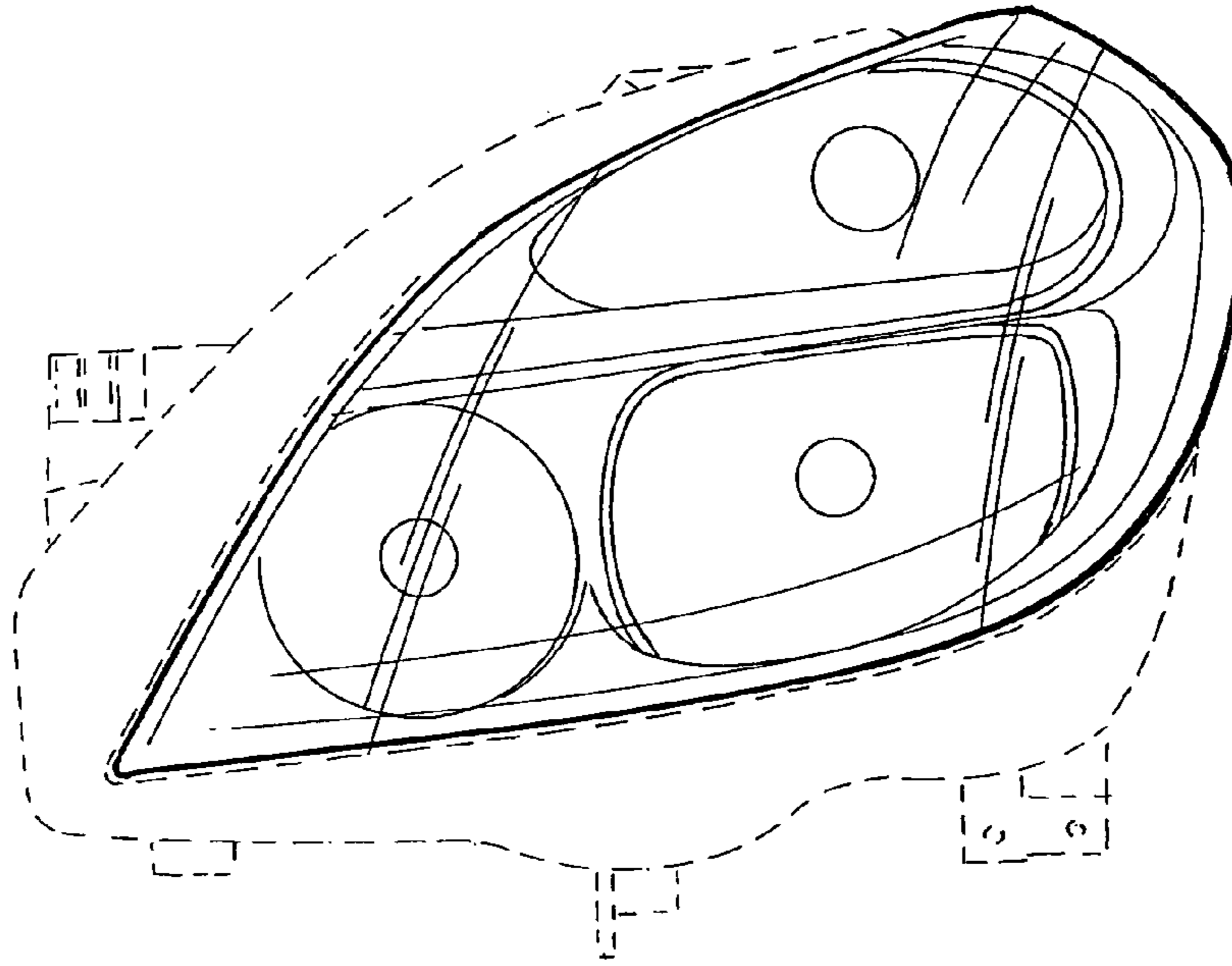


FIG. 3

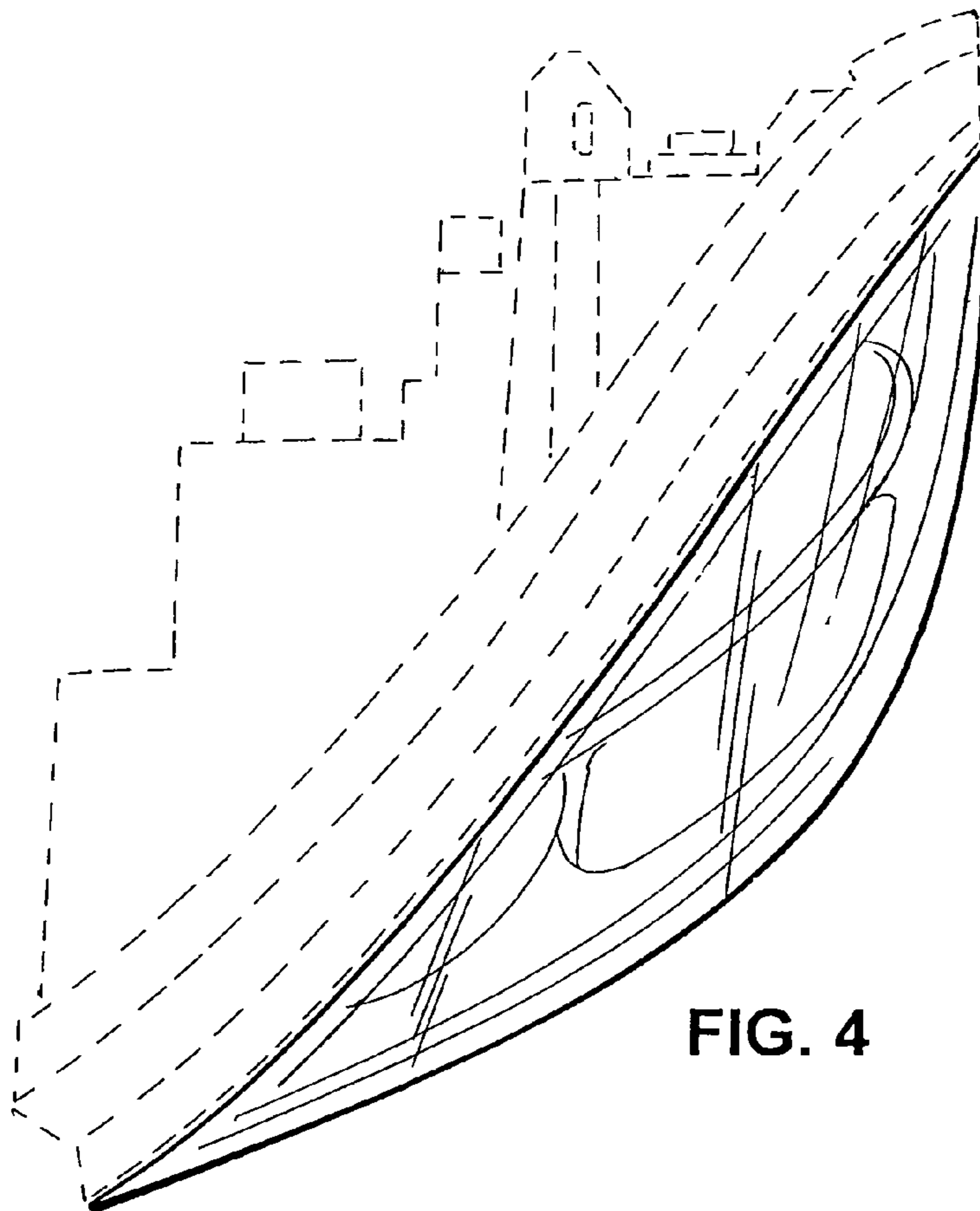


FIG. 4

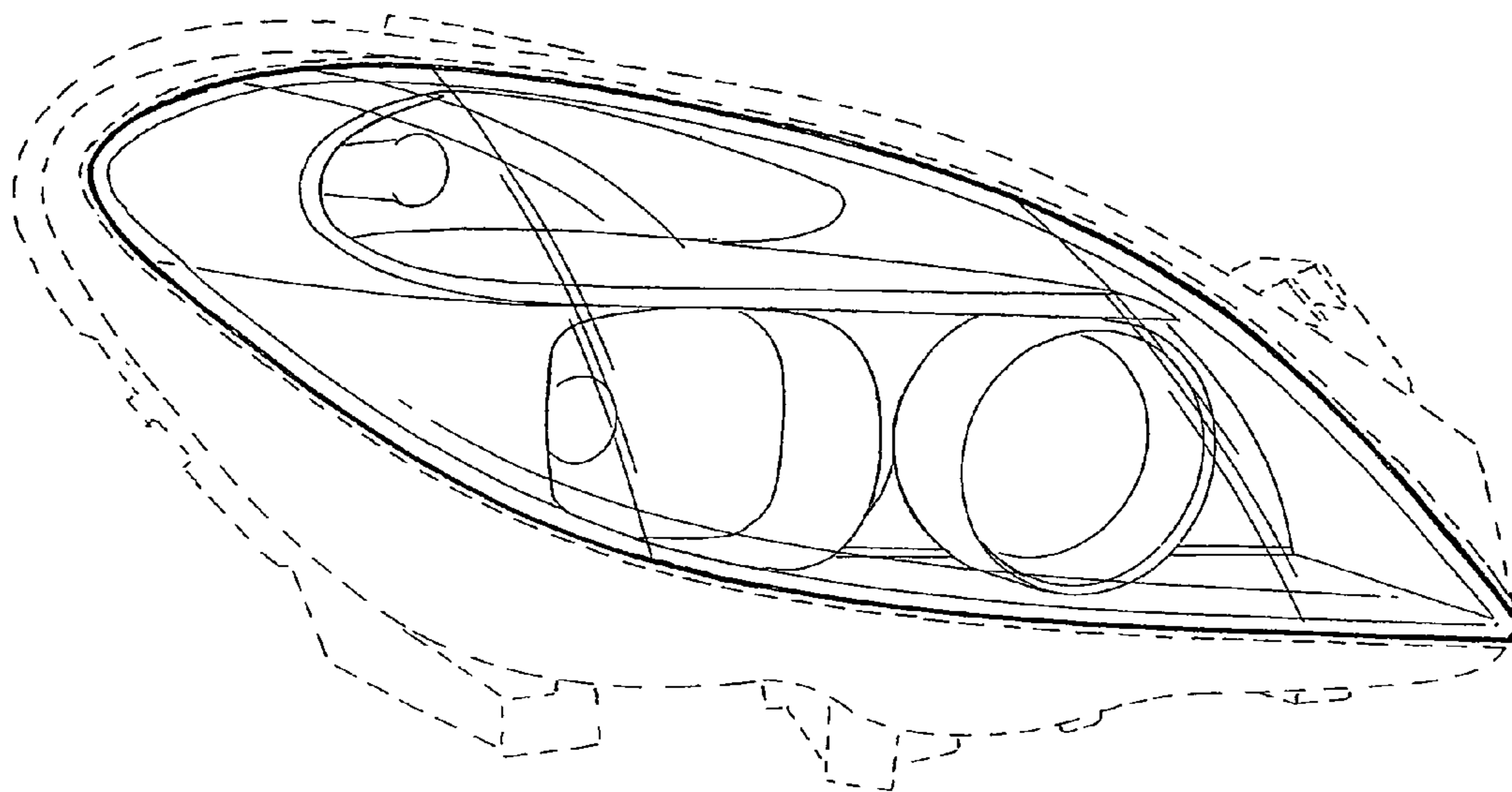


FIG. 5

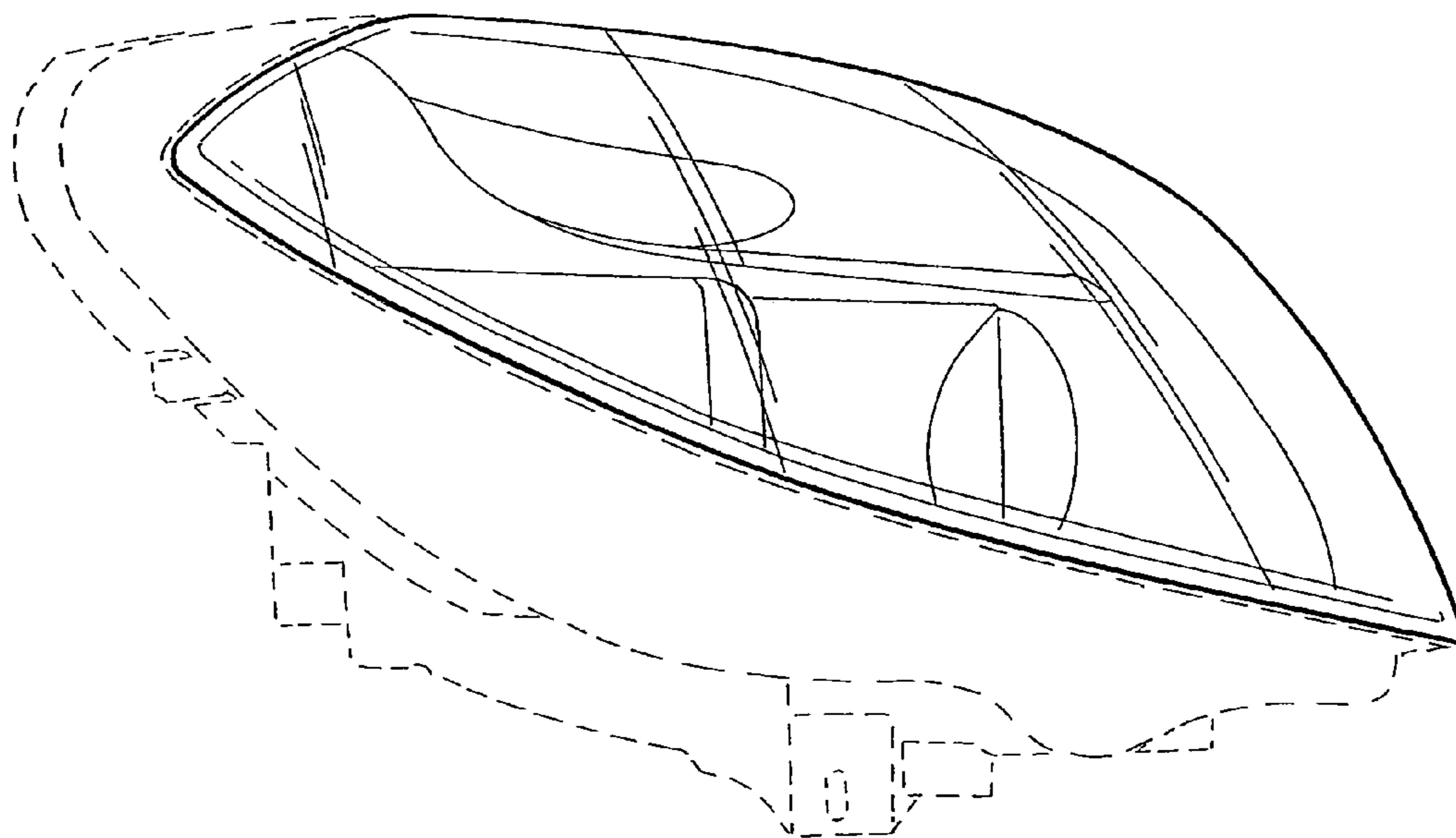


FIG. 6

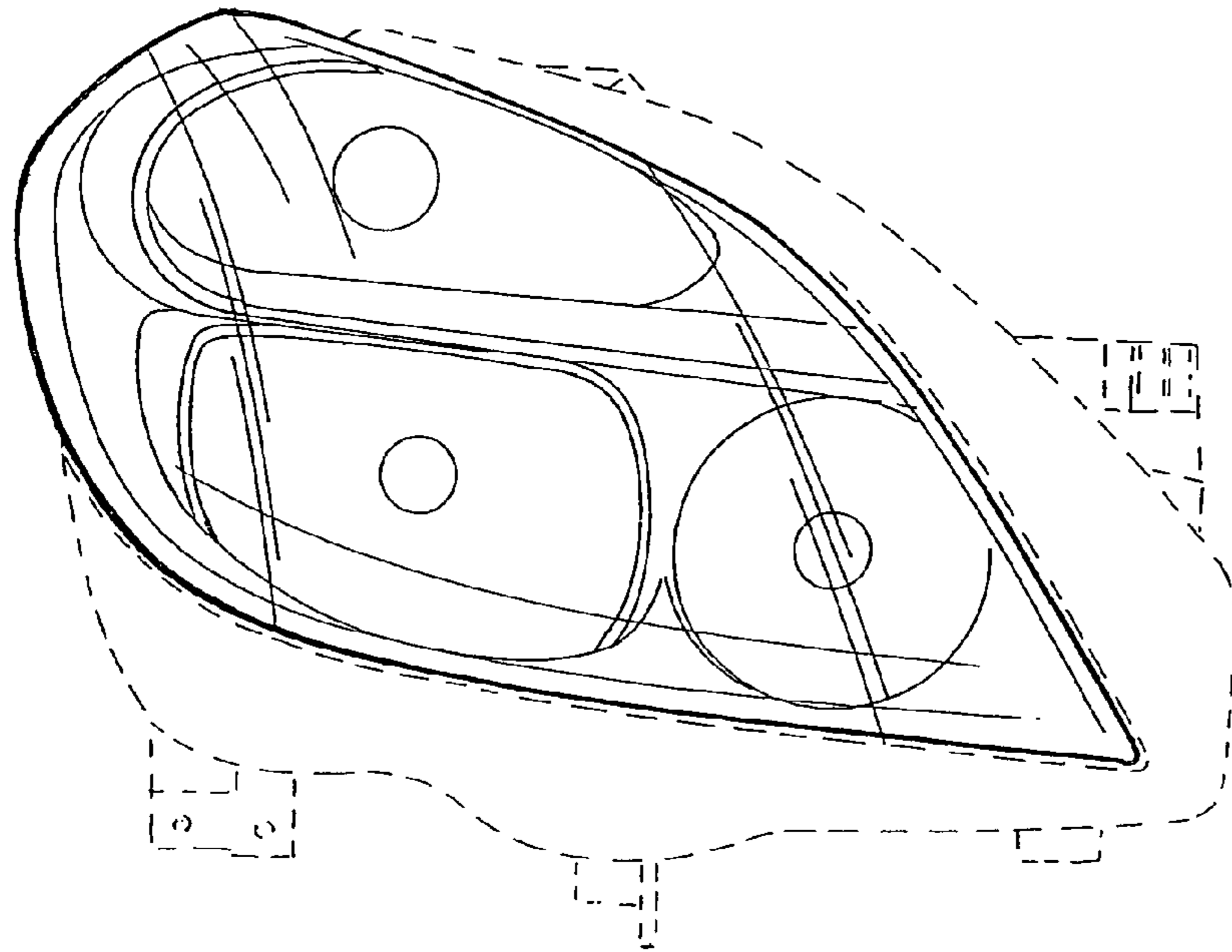


FIG. 7

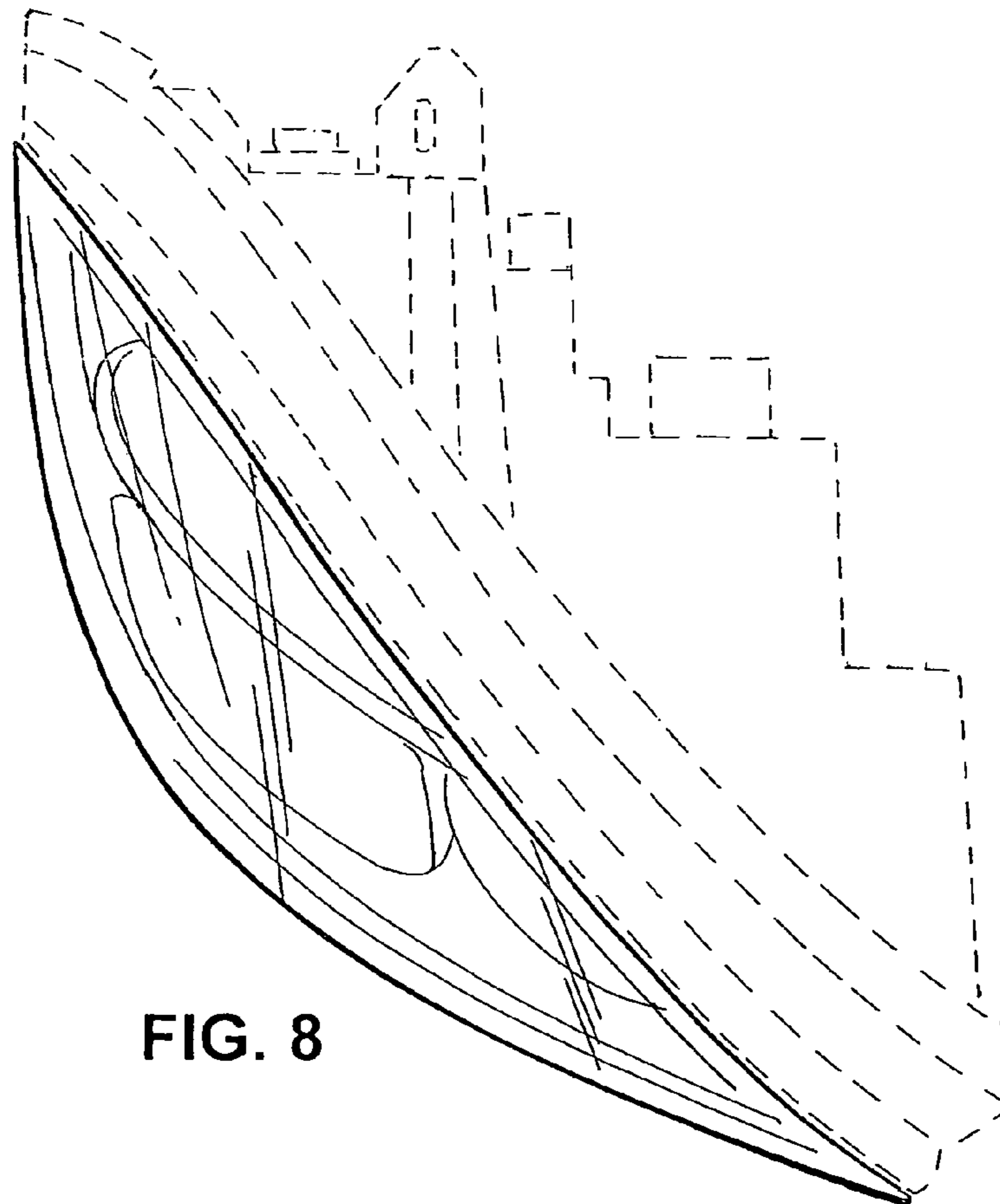


FIG. 8