



US00D672065S

(12) **United States Design Patent**  
**Hoffman**

(10) **Patent No.:** **US D672,065 S**  
(45) **Date of Patent:** **\*\* Dec. 4, 2012**

(54) **TILE MORTAR JOINT**

(76) Inventor: **James P. Hoffman**, Keokuk, IA (US)

(\*\*) Term: **14 Years**

(21) Appl. No.: **29/400,093**

(22) Filed: **Aug. 23, 2011**

(51) **LOC (9) Cl.** ..... **25-01**

(52) **U.S. Cl.** ..... **D25/136**

(58) **Field of Classification Search** ..... D25/136;  
52/290, 396.1, 419, 442, 448, 449, 271, 287.1,  
52/320

See application file for complete search history.

(56) **References Cited**

U.S. PATENT DOCUMENTS

1,918,228 A \* 7/1933 Spencer ..... 52/391  
2,277,892 A \* 3/1942 Swenson ..... 52/396.1  
5,345,990 A \* 9/1994 Potts ..... 160/38  
5,843,546 A \* 12/1998 Eichhorn ..... 428/38

6,253,515 B1 \* 7/2001 Kuelker ..... 52/506.05  
D552,266 S \* 10/2007 Murdock ..... D25/136  
D621,966 S \* 8/2010 Vaes et al. .... D25/136

\* cited by examiner

*Primary Examiner* — Doris Clark

(74) *Attorney, Agent, or Firm* — Simmons Perrine Moyer Bergman PLC

(57) **CLAIM**

The ornamental design for a tile mortar joint, as shown and described.

**DESCRIPTION**

FIG. 1 is an end view of the tile mortar joint showing my new design; and, FIG. 2 is perspective view of the tile mortar joint which extends both along a side of a tile and orthogonally across an end of a tile.

The dotted line representing tiles and a substrate for supporting the tile mortar joint are for illustrative purposes only and form no part of the claimed invention.

**1 Claim, 2 Drawing Sheets**

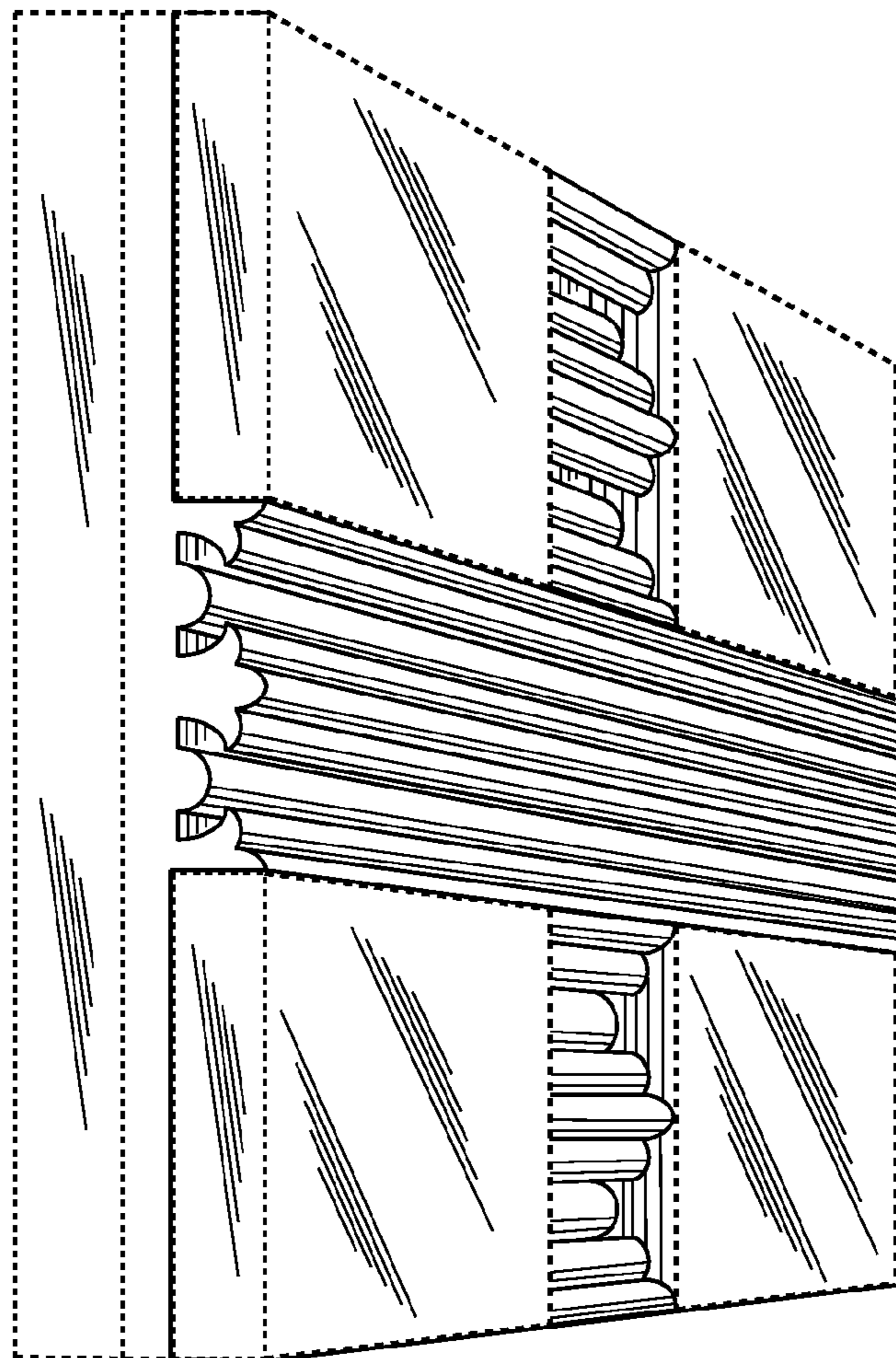


FIG. 1

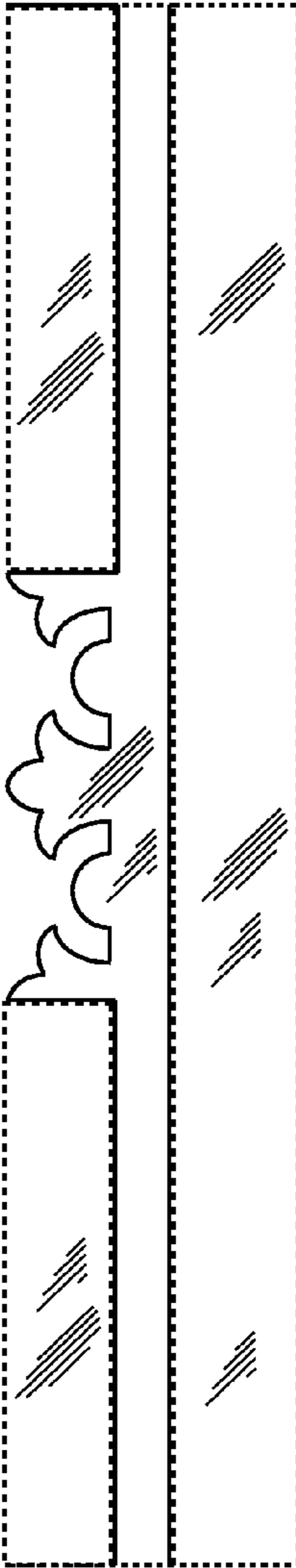


FIG. 2

