



US00D672063S

(12) **United States Design Patent**
Geven

(10) **Patent No.:** **US D672,063 S**
(45) **Date of Patent:** **** Dec. 4, 2012**

(54) **FLOOR CHANNEL**

Primary Examiner — Doris Clark

(76) Inventor: **Johannes Geven**, Simcoe (CA)

(57) **CLAIM**

The ornamental design for a floor channel, as shown and described.

(**) Term: **14 Years**

DESCRIPTION

(21) Appl. No.: **29/386,071**

(22) Filed: **Feb. 24, 2011**

FIG. 1 is a top left side perspective view of the first embodiment of a floor channel.

(51) **LOC (9) Cl.** **25-01**

FIG. 2 is top right side perspective view of the floor channel shown in FIG. 1.

(52) **U.S. Cl.** **D25/122**

FIG. 3 is a bottom left side perspective view of the floor channel shown in FIG. 1.

(58) **Field of Classification Search** D25/122,
D25/124; 52/211, 396.1, 439, 459, 393,
52/394, 395, 396.04, 396.08, 417, 461, 465,
52/481.1

FIG. 4 is an end elevational view of the floor channel shown in FIG. 1.

See application file for complete search history.

FIG. 5 is a top left side perspective view of the second embodiment of a floor channel.

(56) **References Cited**

FIG. 6 is top right side perspective view of the floor channel shown in FIG. 5.

U.S. PATENT DOCUMENTS

FIG. 7 is a bottom left side perspective view of the floor channel shown in FIG. 5; and,

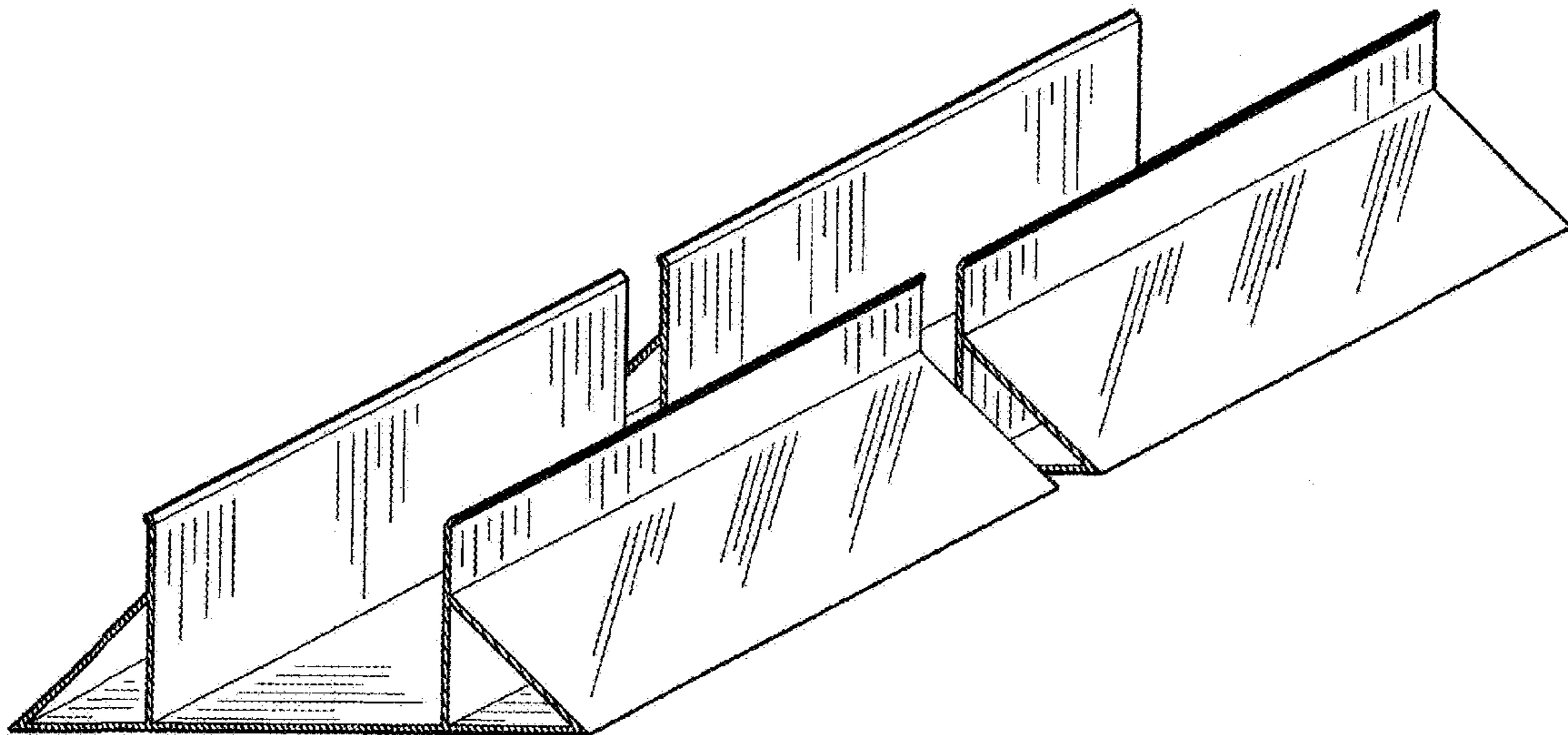
D417,290	S	*	11/1999	Goleby et al.	D25/122
6,141,931	A	*	11/2000	Simmons	52/480
6,158,915	A	*	12/2000	Kise	403/309
7,784,238	B2	*	8/2010	Bannister	52/465
7,814,720	B2	*	10/2010	Neuhofer	52/471
2004/0206038	A1	*	10/2004	Stanchfield	52/582.1

FIG. 8 is an end elevational view of the floor channel shown in FIG. 5.

* cited by examiner

The floor channel depicted is broken in the centre to show indefinite length.

1 Claim, 8 Drawing Sheets



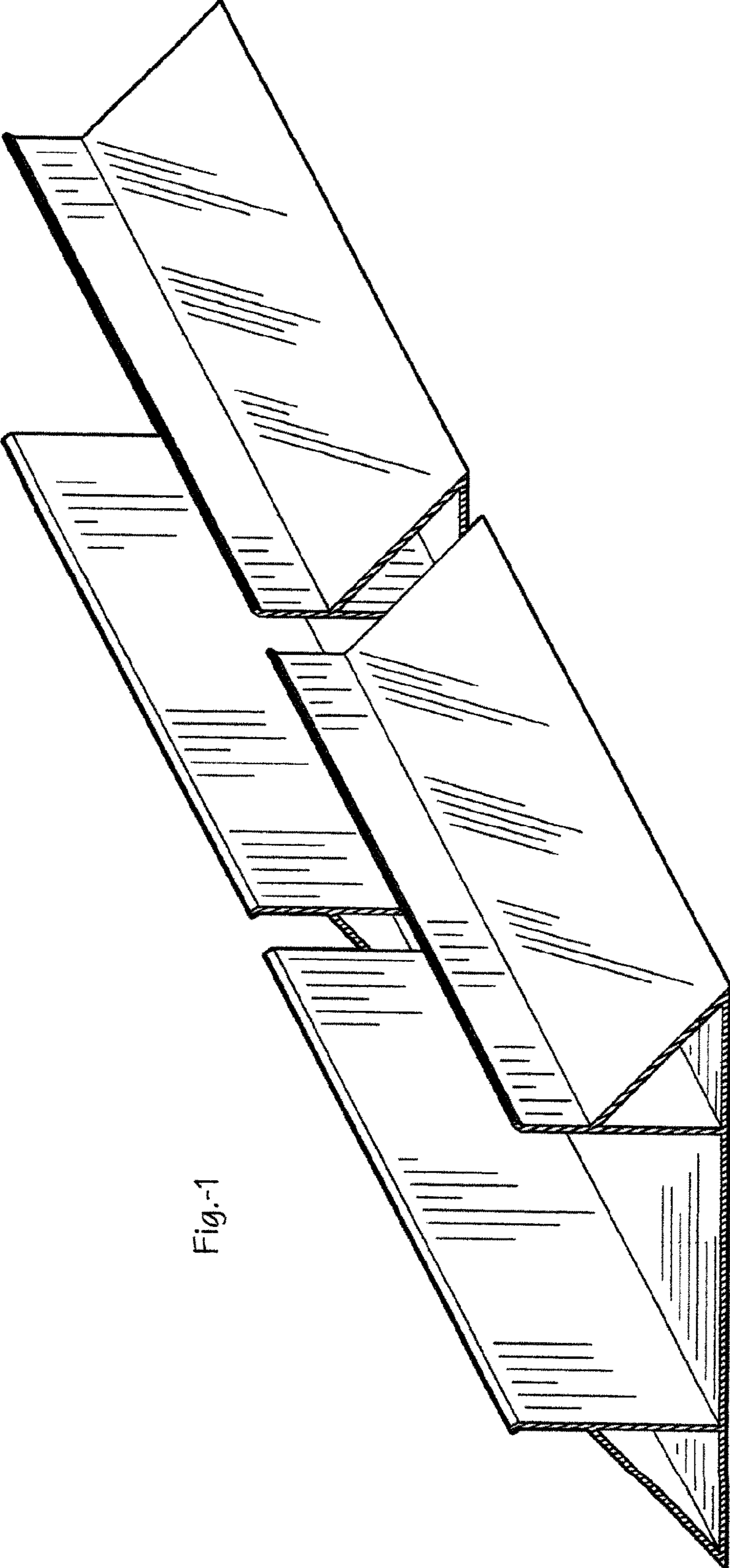
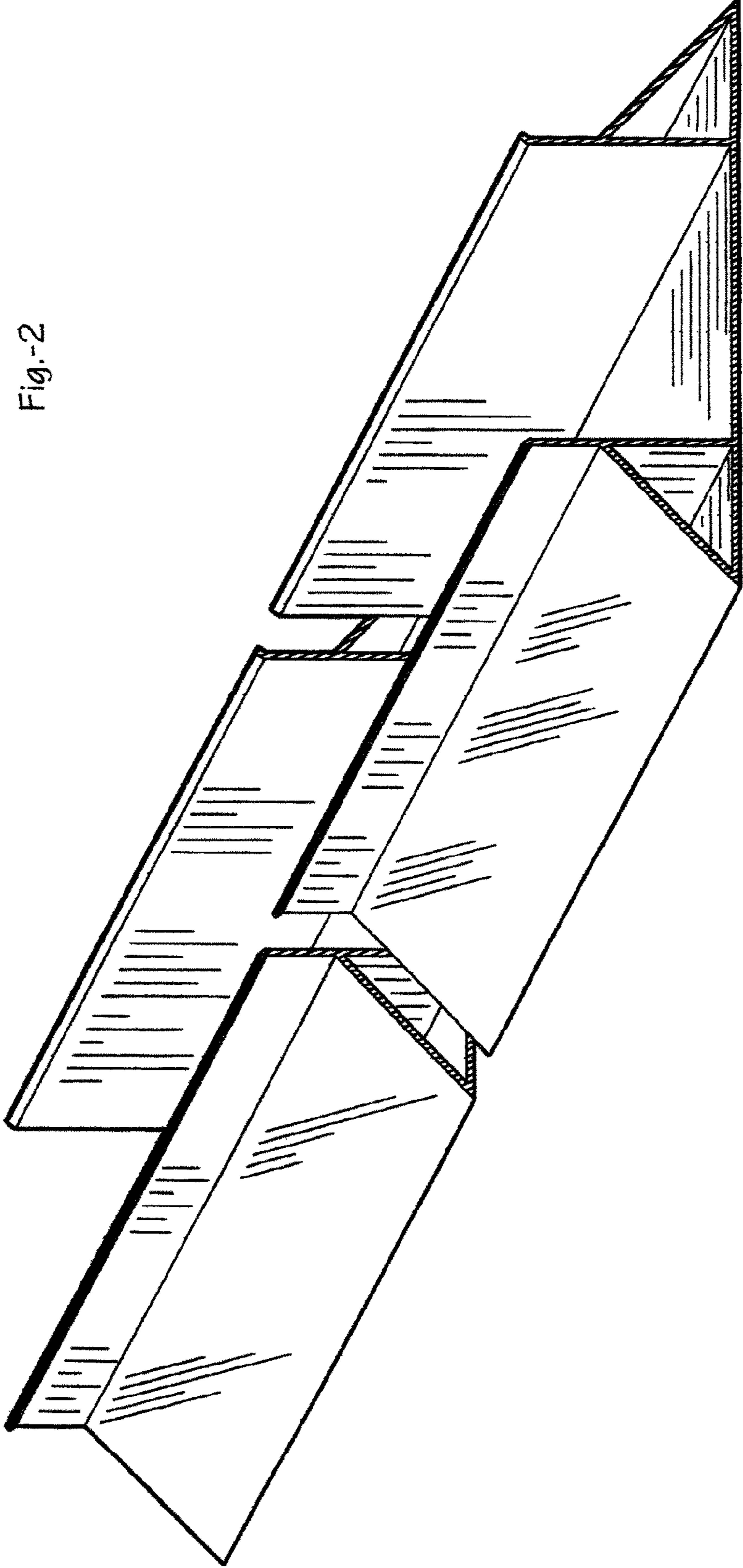


Fig.-1

Fig.-2



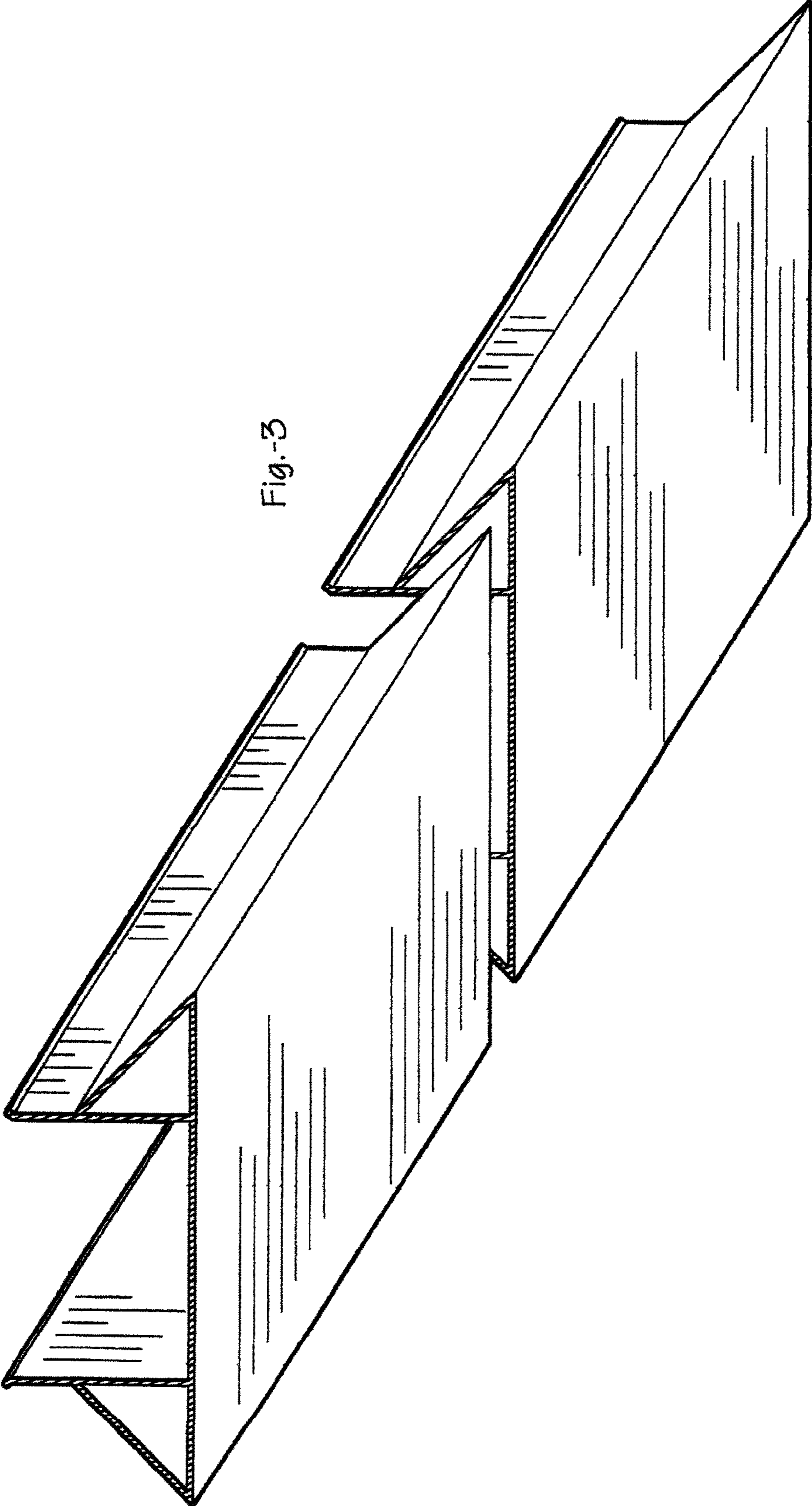
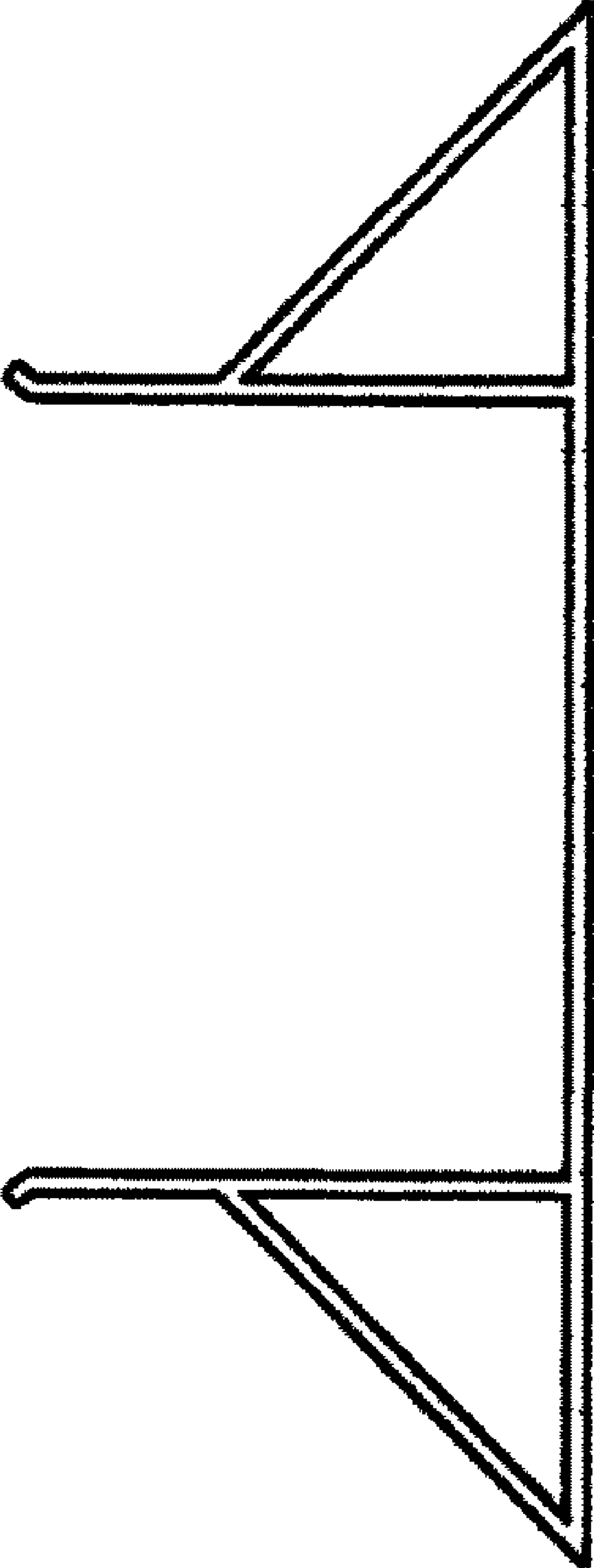


Fig.-3

Fig.-4



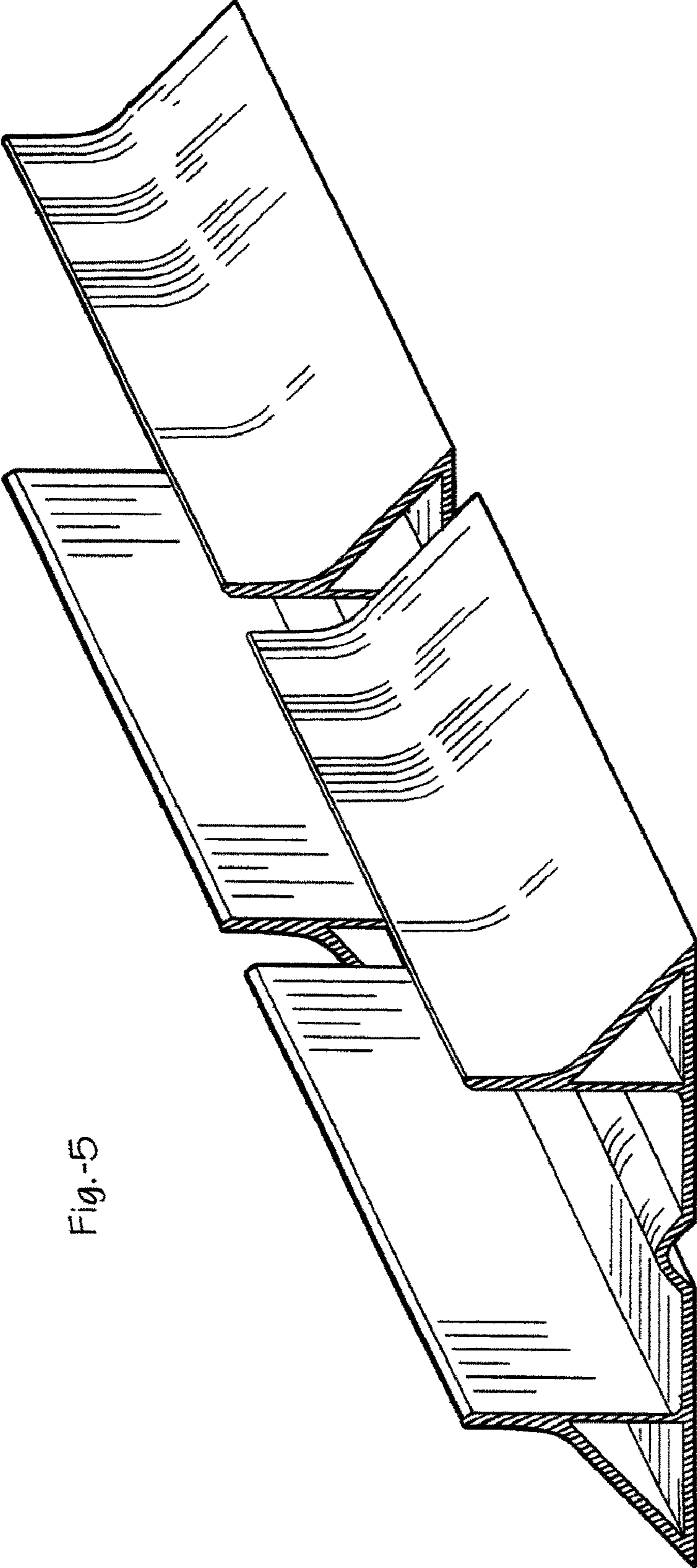
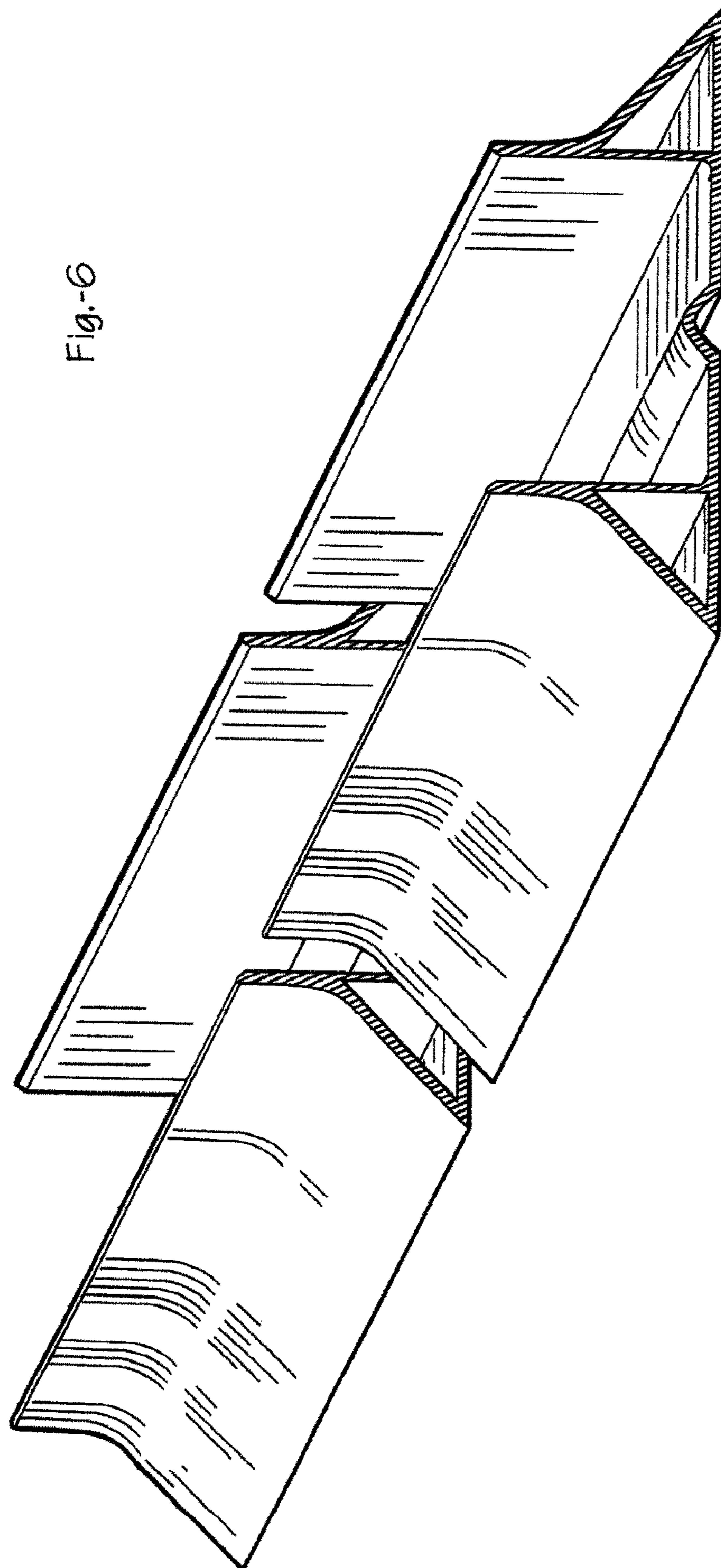


Fig.-5



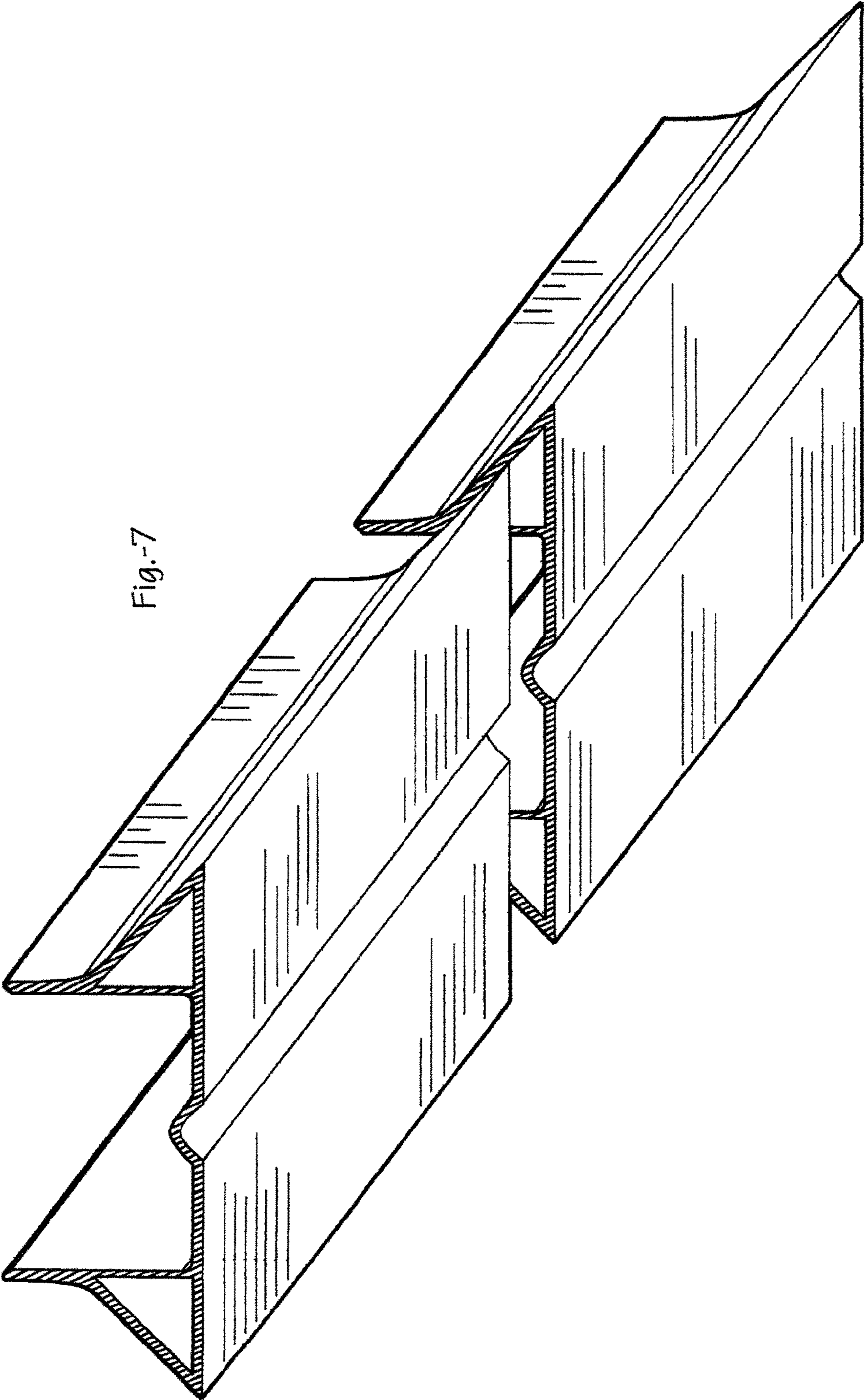


Fig.-7

Fig.-8

