



US00D672062S

(12) **United States Design Patent**
Fisher et al.

(10) **Patent No.:** **US D672,062 S**
(45) **Date of Patent:** **** Dec. 4, 2012**

(54) **ARCHITECTURAL PANEL JOINT
HARDWARE**

(75) Inventors: **Kevin L. Fisher**, Erda, UT (US); **John
E. C. Willham**, Sandy, UT (US)

(73) Assignee: **3form, Inc.**, Salt Lake City, UT (US)

(**) Term: **14 Years**

(21) Appl. No.: **29/366,557**

(22) Filed: **Jul. 27, 2010**

(51) **LOC (9) Cl.** **25-01**

(52) **U.S. Cl.** **D25/102**

(58) **Field of Classification Search** D25/199,
D25/164, 102; 52/415, 416, 417, 419, 434,
52/435, 243, 279, 459, 287.1, 465, 290, 469
See application file for complete search history.

(56) **References Cited**

U.S. PATENT DOCUMENTS

691,744	A *	1/1902	Carr	52/11
2,019,095	A *	10/1935	Robinson	52/483.1
2,129,497	A *	9/1938	Horn	52/474
3,080,140	A *	3/1963	Gohs et al.	248/74.1
3,084,739	A *	4/1963	Jaworski	160/402
3,330,084	A *	7/1967	Russell	52/300
3,582,422	A *	6/1971	Wilkins	156/222
D331,469	S *	12/1992	McMarlin	D25/119
D378,432	S *	3/1997	Raynes	D25/164
D380,843	S *	7/1997	Hart	D25/138
D383,554	S *	9/1997	Hart	D25/138
D443,198	S *	6/2001	Snyder	D8/354
D444,243	S *	6/2001	Erwin	D25/135
D460,567	S *	7/2002	McDonough	D25/122
D481,932	S *	11/2003	Bess	D8/394
D498,309	S *	11/2004	Koerner et al.	D25/164
D552,269	S *	10/2007	Vibiano	D25/164
D552,270	S *	10/2007	Vibiano	D25/164

* cited by examiner

Primary Examiner — T. Chase Nelson

Assistant Examiner — Michelle E Wilson

(74) *Attorney, Agent, or Firm* — Workman Nydegger

(57) **CLAIM**

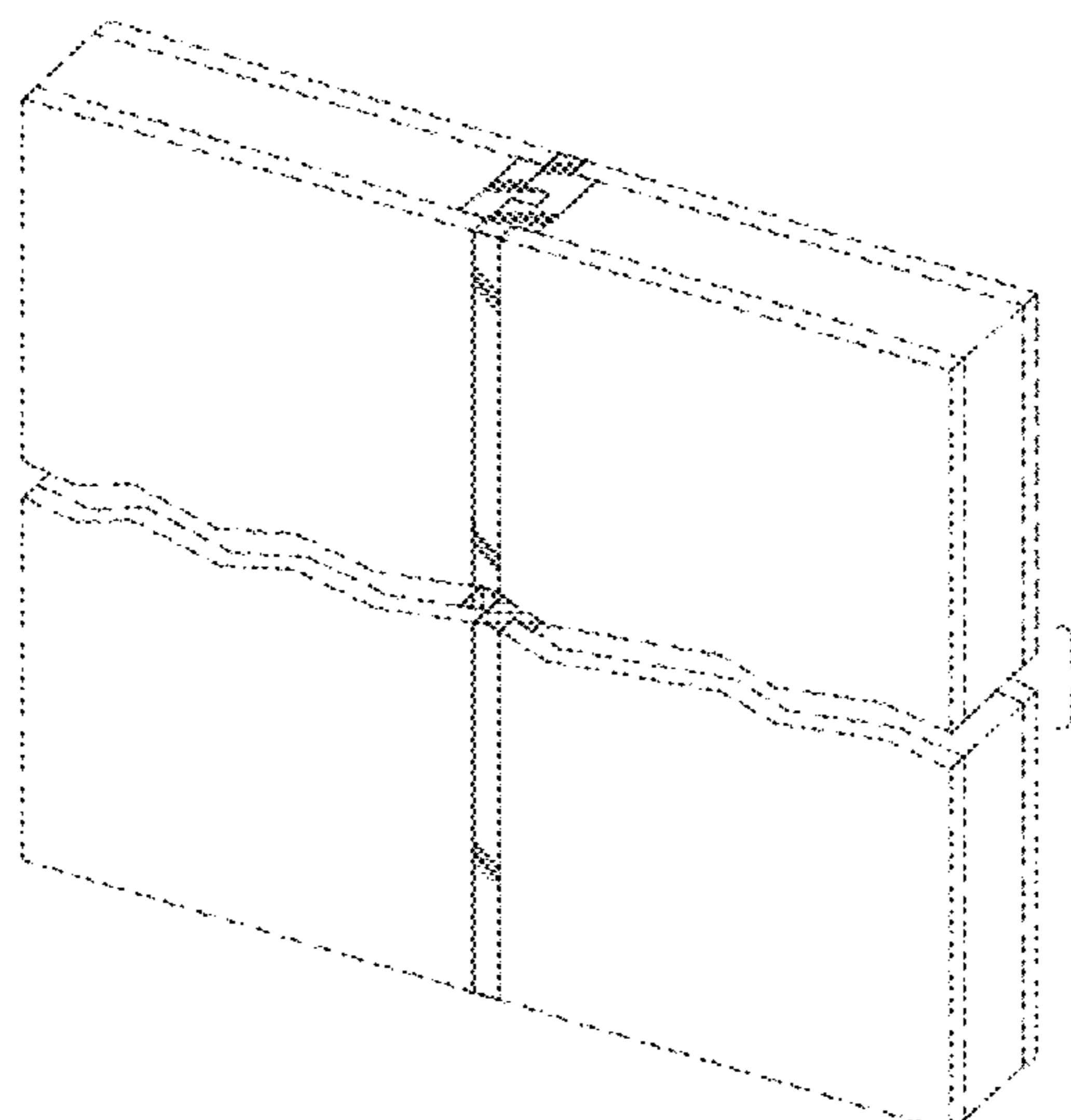
The ornamental design for architectural panel joint hardware, as shown.

DESCRIPTION

FIG. 1 is a perspective environmental view of the architectural panel joint hardware;
 FIG. 2 is an exploded, perspective environmental view thereof;
 FIG. 3 is a left elevational view thereof;
 FIG. 4 is a front elevational thereof;
 FIG. 5 is a right elevational thereof;
 FIG. 6 is a back elevational thereof;
 FIG. 7 is a top plan view thereof;
 FIG. 8 is a bottom plan view thereof;
 FIG. 9 is a left elevational view is a front elevational of a tongue component of the architectural panel joint hardware;
 FIG. 10 is a front elevational thereof;
 FIG. 11 is a right elevational thereof;
 FIG. 12 is a back elevational thereof;
 FIG. 13 is a top plan view thereof;
 FIG. 14 is a bottom plan view thereof;
 FIG. 15 is a left elevational view is a front elevational of a groove component of the architectural panel joint hardware;
 FIG. 16 is a front elevational thereof;
 FIG. 17 is a right elevational thereof;
 FIG. 18 is a back elevational thereof;
 FIG. 19 is a top plan view thereof;
 FIG. 20 is a bottom plan view thereof;
 FIG. 21 is a perspective environmental view of the another embodiment of architectural panel joint hardware;
 FIG. 22 is an exploded, perspective environmental view thereof; and,
 FIG. 23 is a top plan view thereof.

The broken lines in the drawings are included for environmental or illustrative purposes only and form no part of the claimed design.

1 Claim, 7 Drawing Sheets



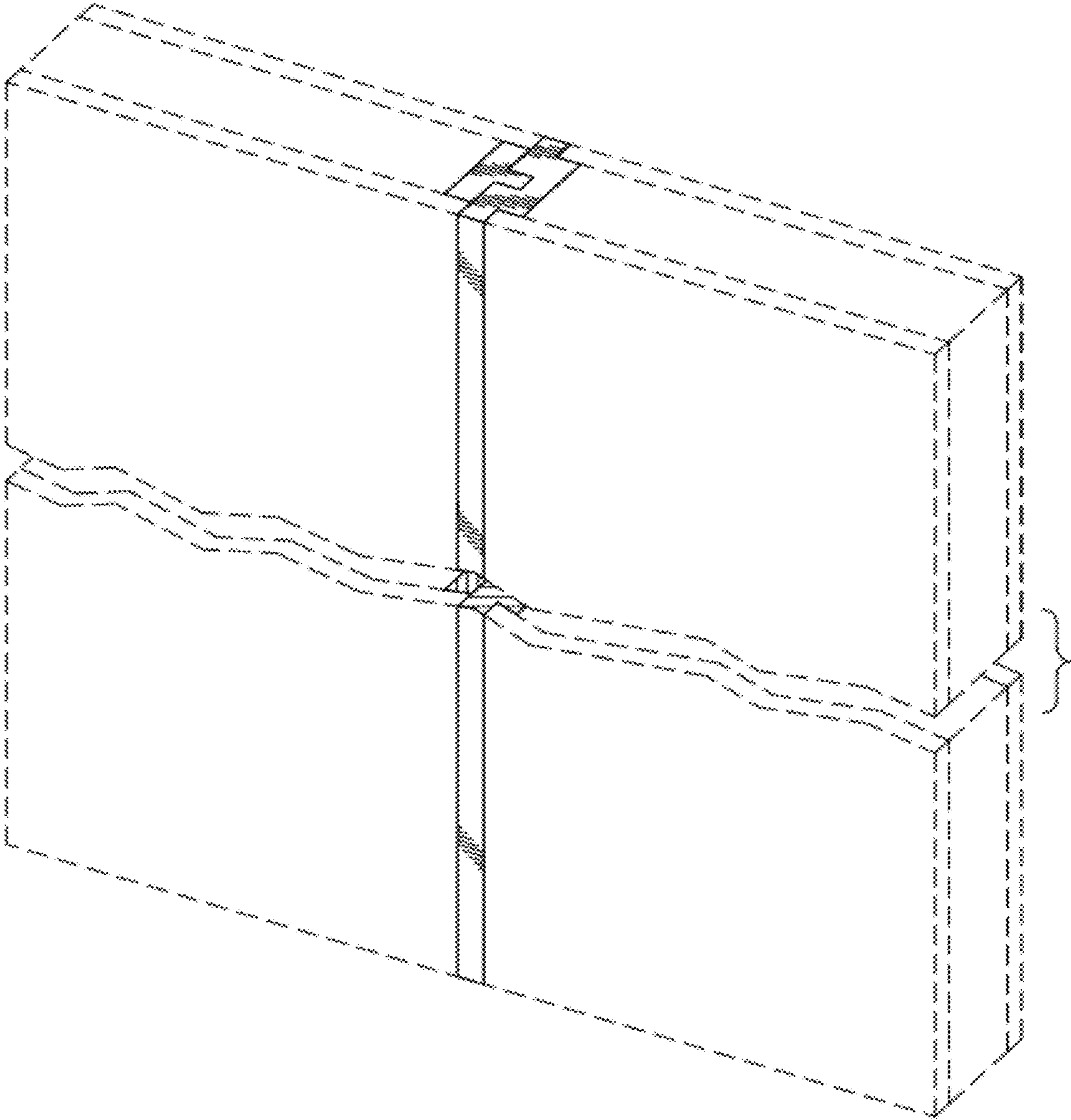


Fig. 1

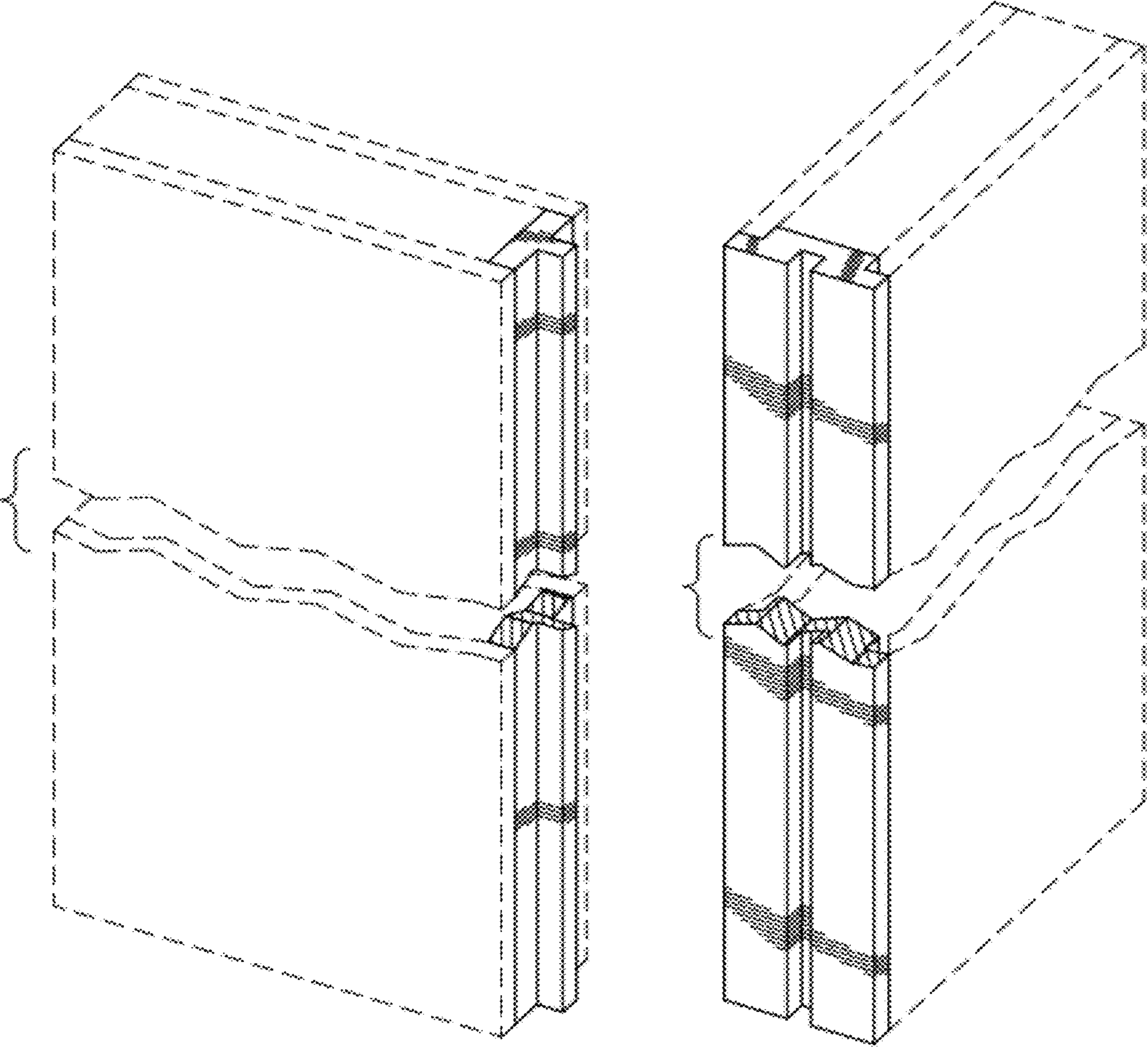


Fig. 2



Fig. 7

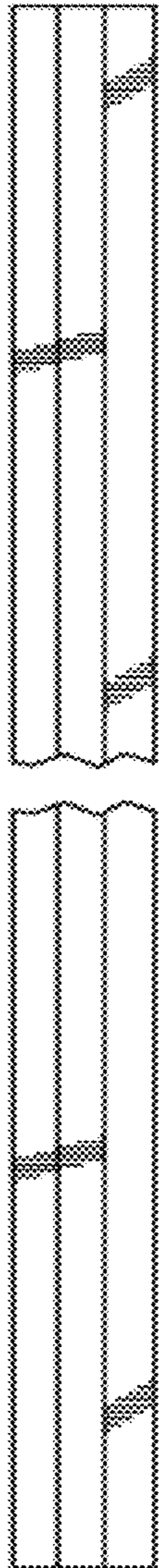


Fig. 3

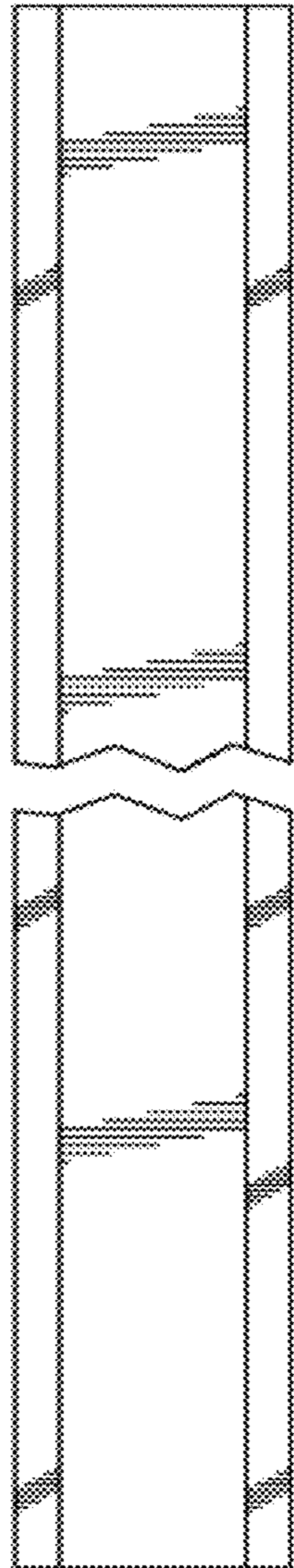


Fig. 4

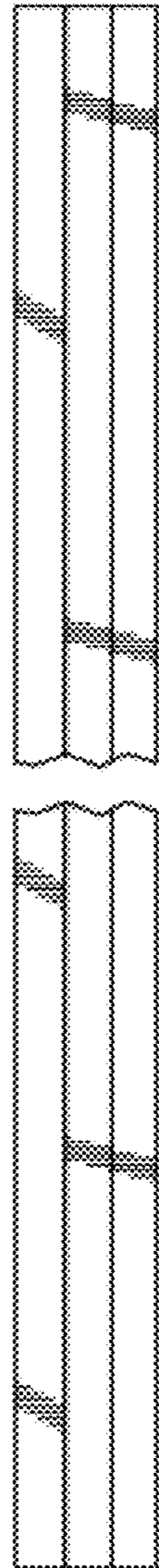


Fig. 5

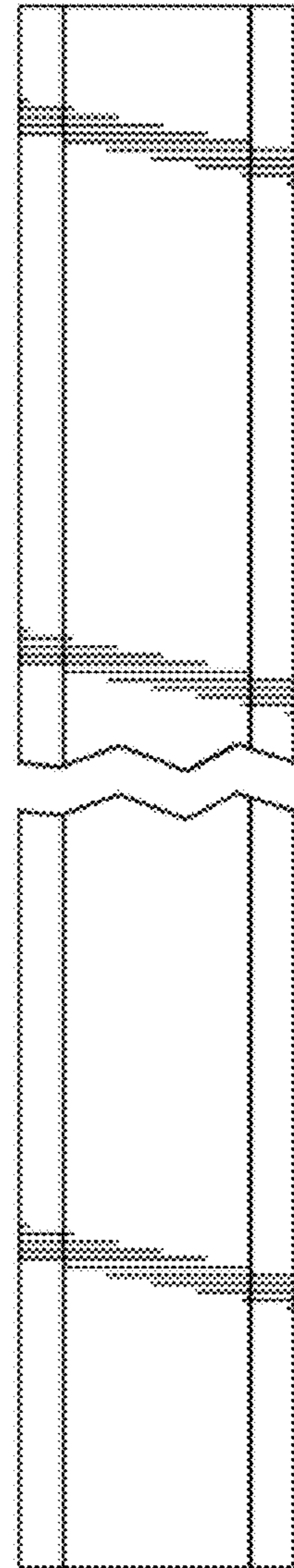


Fig. 6



Fig. 8



Fig. 13

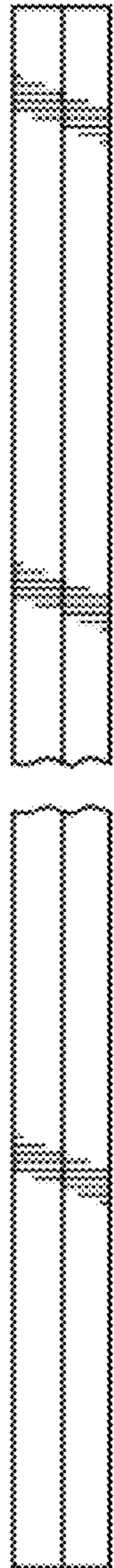


Fig. 9

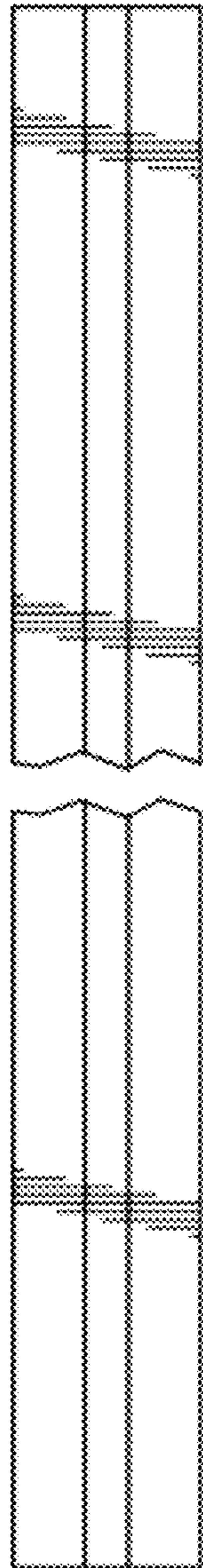


Fig. 10



Fig. 11

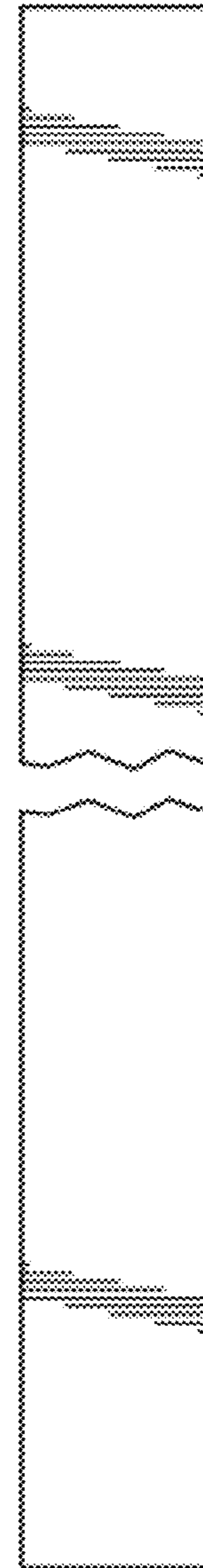


Fig. 12

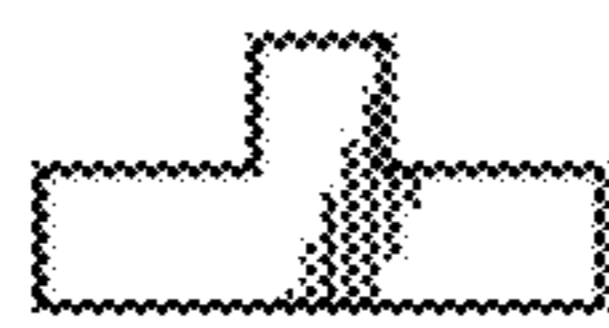


Fig. 14



Fig. 19

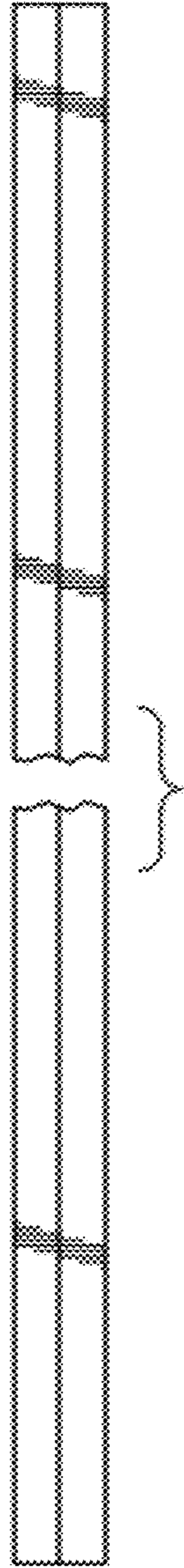


Fig. 15

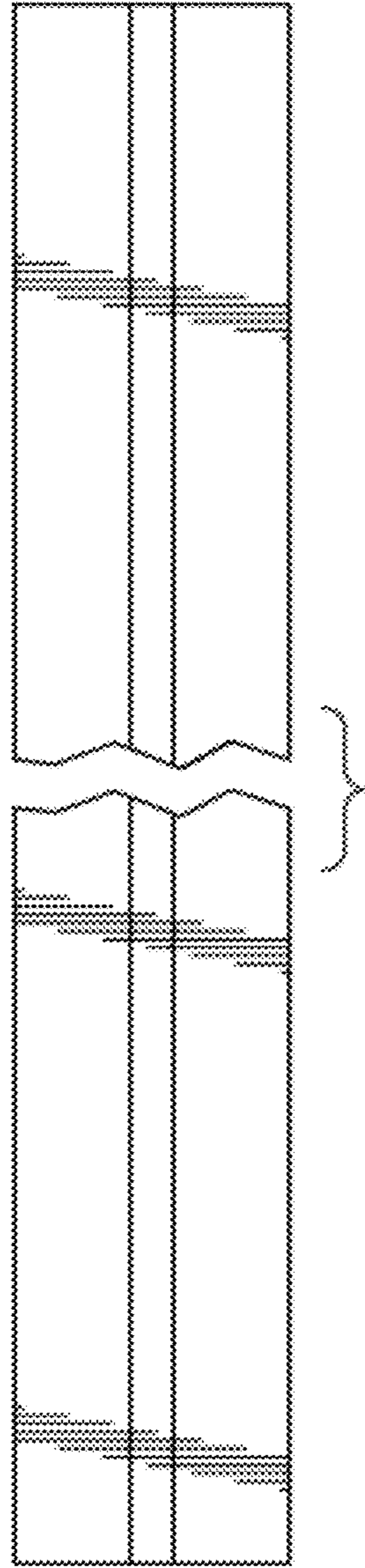


Fig. 16

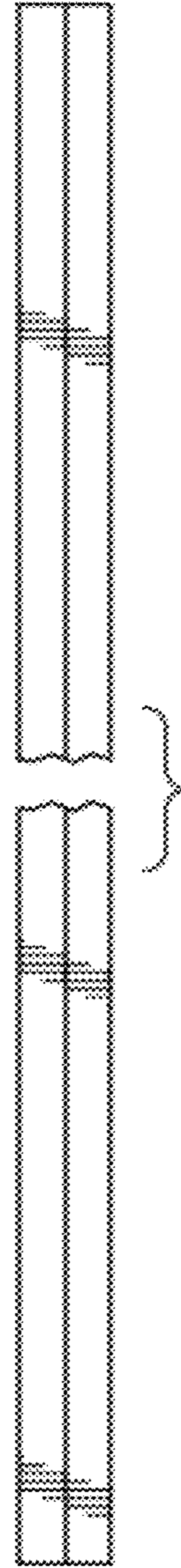


Fig. 17

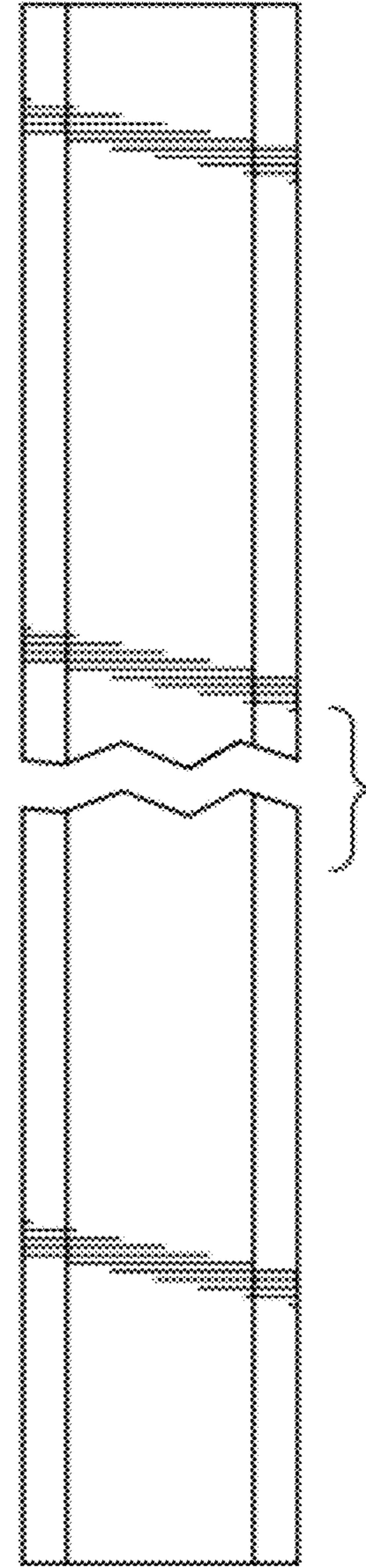


Fig. 18



Fig. 20

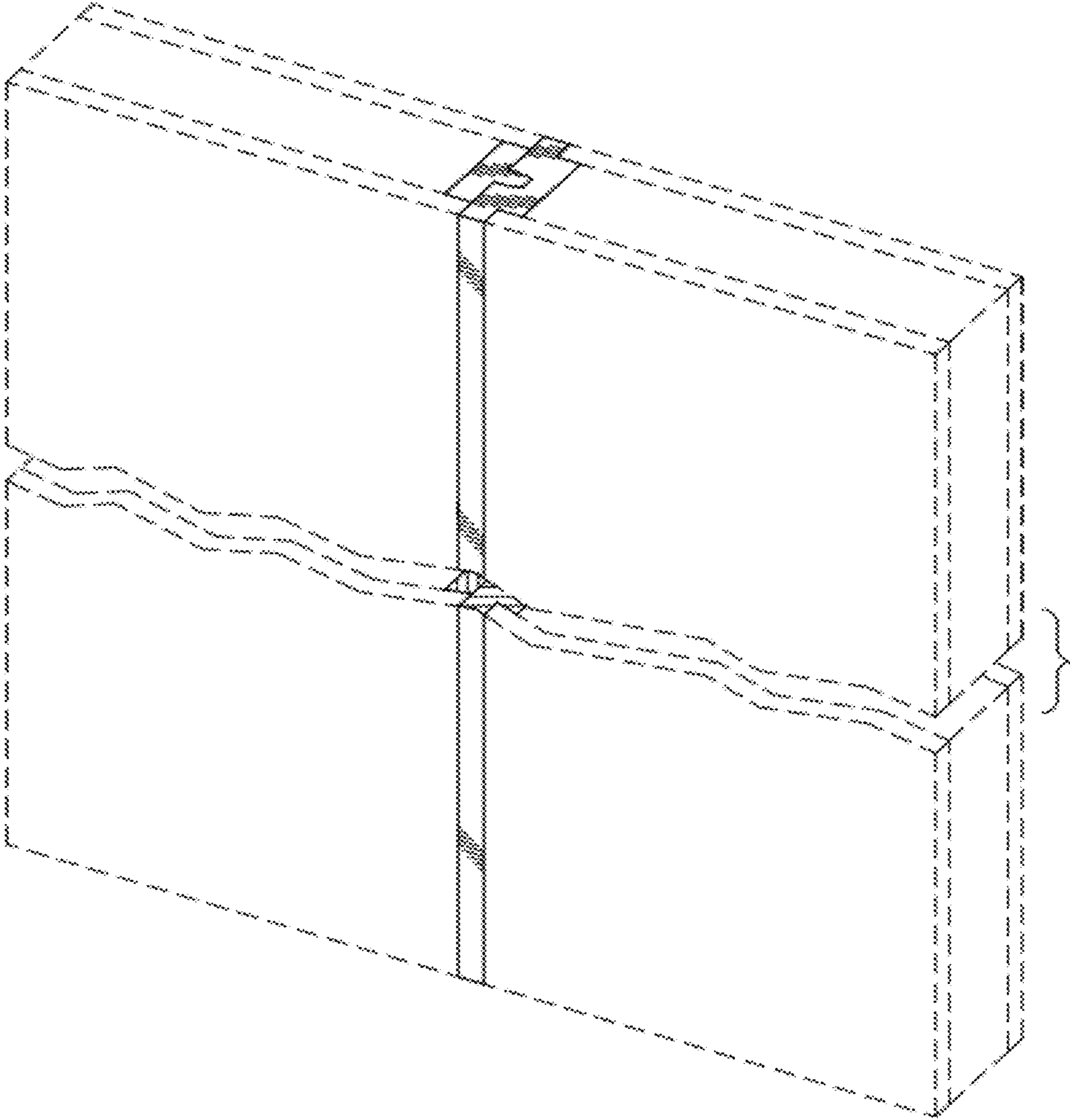


Fig. 21

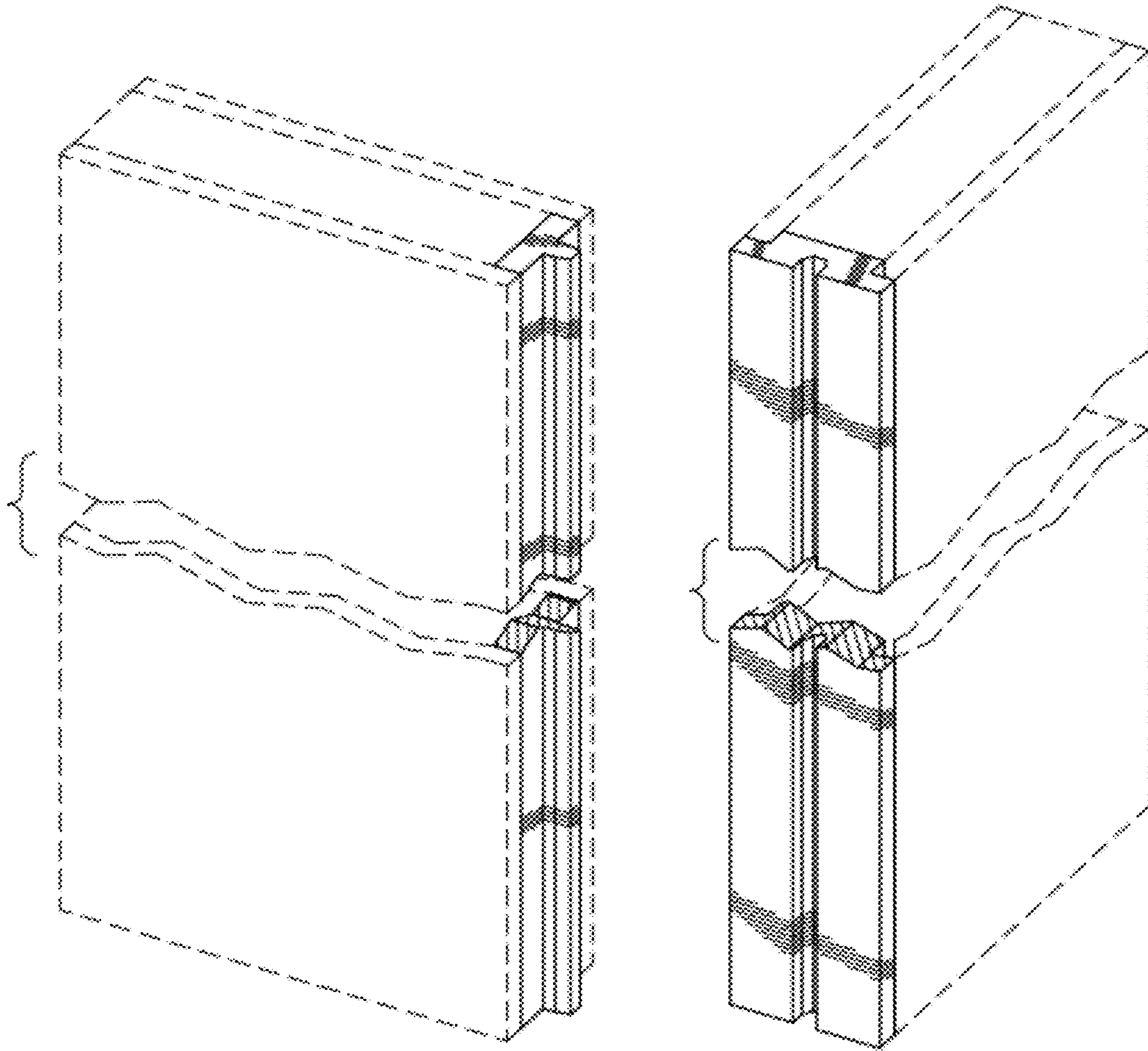


Fig. 22



Fig. 23