



US00D672058S

(12) **United States Design Patent**
Yoder

(10) **Patent No.:** **US D672,058 S**
(45) **Date of Patent:** **** Dec. 4, 2012**

(54) **DOUBLE CAPTURE CHANNEL MEMBER FOR A MODULAR BUILDING**

(75) Inventor: **Steven M. Yoder**, Shawnee, KS (US)

(73) Assignee: **Performance Contracting, Inc.**, Lenexa, KS (US)

(**) Term: **14 Years**

(21) Appl. No.: **29/427,609**

(22) Filed: **Jul. 20, 2012**

Related U.S. Application Data

(62) Division of application No. 29/388,514, filed on Mar. 30, 2011, now Pat. No. Des. 665,921.

(51) **LOC (9) Cl.** **25-02**

(52) **U.S. Cl.** **D25/61; D25/119**

(58) **Field of Classification Search** 52/283, 52/634, 639, 643, 690, 96, 94; D25/199, D25/164, 61, 119

See application file for complete search history.

(56) **References Cited**

U.S. PATENT DOCUMENTS

1,532,695	A *	4/1925	Harting et al.	52/262
1,552,474	A *	9/1925	Dornier	52/634
2,177,699	A *	10/1939	Fisher	52/236.3
2,414,094	A *	1/1947	Couelle	52/690
2,858,916	A *	11/1958	Josephs	52/377

(Continued)

Primary Examiner — Doris Clark

(74) *Attorney, Agent, or Firm* — Womble Carlyle Sandridge & Rice LLP

(57) **CLAIM**

The ornamental design for a double capture channel member for a modular building, as shown and described.

DESCRIPTION

FIG. 1 is a perspective view of a double capture channel member for a modular building showing my new design, according to a first embodiment.

FIG. 2 is a second perspective view of the channel member of FIG. 1.

FIG. 3 is a front view of the channel member of FIG. 1.

FIG. 4 is a rear view of the channel member of FIG. 1.

FIG. 5 is a left side view of the channel member of FIG. 1.

FIG. 6 is a right side view of the channel member of FIG. 1.

FIG. 7 is a top view of the channel member of FIG. 1.

FIG. 8 is a bottom view of the channel member of FIG. 1.

FIG. 9 is a perspective view of a double capture channel member for a modular building showing my new design, according to a second embodiment.

FIG. 10 is a second perspective view of the channel member of FIG. 9.

FIG. 11 is a front view of the channel member of FIG. 9.

FIG. 12 is a rear view of the channel member of FIG. 9.

FIG. 13 is a left side view of the channel member of FIG. 9.

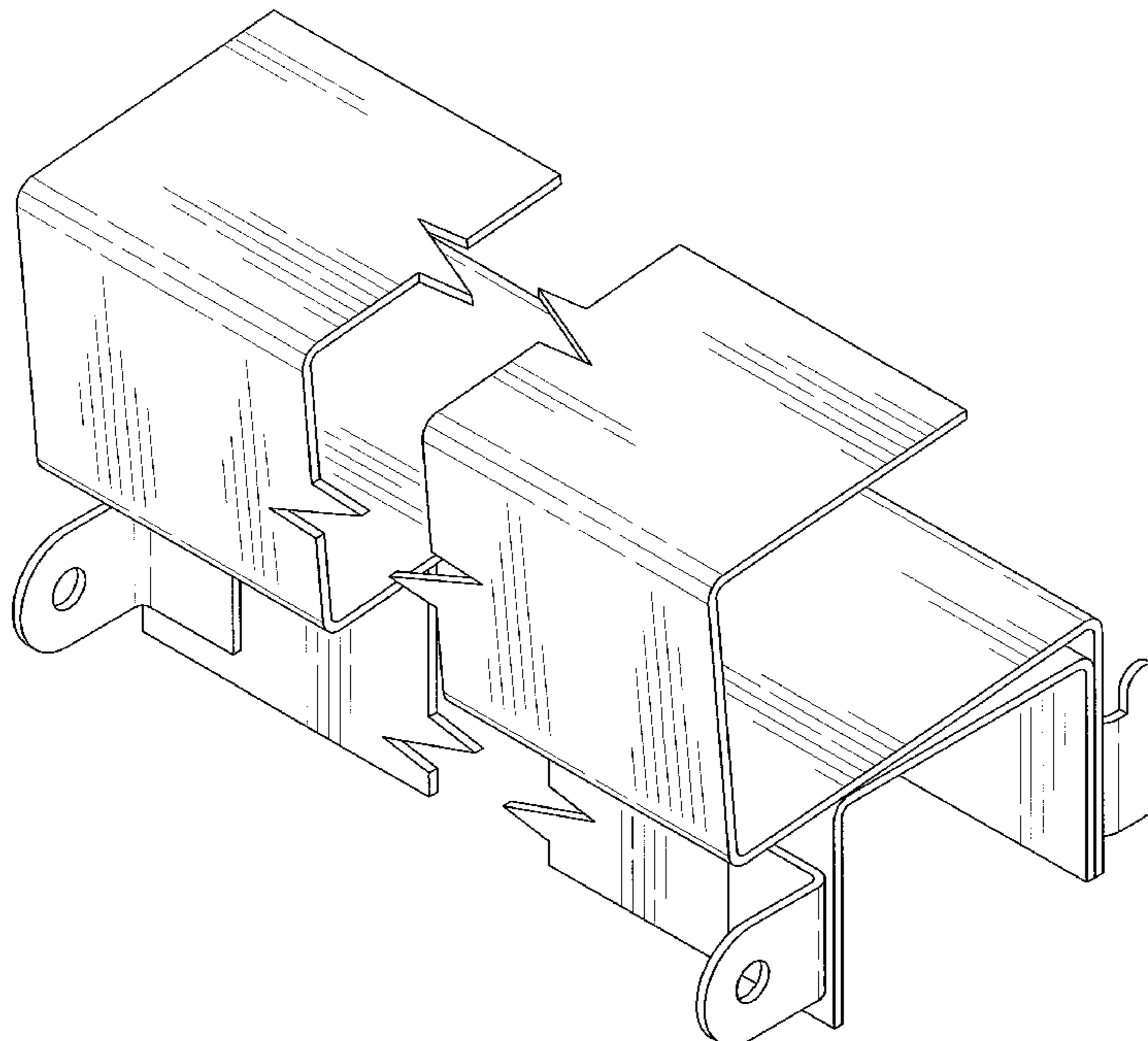
FIG. 14 is a right side view of the channel member of FIG. 9.

FIG. 15 is a top view of the channel member of FIG. 9; and,

FIG. 16 is a bottom view of the channel member of FIG. 9.

The centrally located break and separation, illustrated at least in part by the centrally located pair of adjacent, jagged lines, in FIGS. 1, 2, 9 and 10 forms no part of the claimed design except for indicating indeterminate length. The absence of such break lines in other Figs. shall not indicate a dimensional restriction; rather, relative length of all frame members in indeterminate.

1 Claim, 10 Drawing Sheets



US D672,058 S

Page 2

U.S. PATENT DOCUMENTS

3,127,960	A *	4/1964	Smith et al.	52/222	D472,648	S *	4/2003	Linsley	D25/61
3,135,070	A *	6/1964	Waring et al.	52/94	6,604,328	B1 *	8/2003	Paddock	52/93.1
3,141,531	A *	7/1964	Montgomery	52/634	6,751,911	B1 *	6/2004	Gates et al.	52/96
3,735,540	A *	5/1973	Thaler	52/94	6,786,018	B2 *	9/2004	Webb et al.	52/300
3,783,564	A *	1/1974	Dunn et al.	52/96	6,820,376	B2 *	11/2004	Morphet	52/58
3,834,104	A *	9/1974	Dunn et al.	52/376	7,228,670	B2 *	6/2007	Ollman	52/633
3,849,961	A *	11/1974	Gwynne	52/639	D665,921	S	8/2012	Yoder	
3,984,951	A *	10/1976	Hindman	52/91.3	D665,922	S	8/2012	Yoder	
5,425,207	A *	6/1995	Shayman	52/79.9	2003/0009963	A1 *	1/2003	Crowell	52/270
6,088,971	A *	7/2000	Nystrom	52/95	2005/0011142	A1 *	1/2005	Higgins	52/90.1
6,092,340	A *	7/2000	Simmons	52/92.1	2009/0272063	A1 *	11/2009	Siu	52/650.3
6,195,950	B1 *	3/2001	Harris	52/270					

* cited by examiner

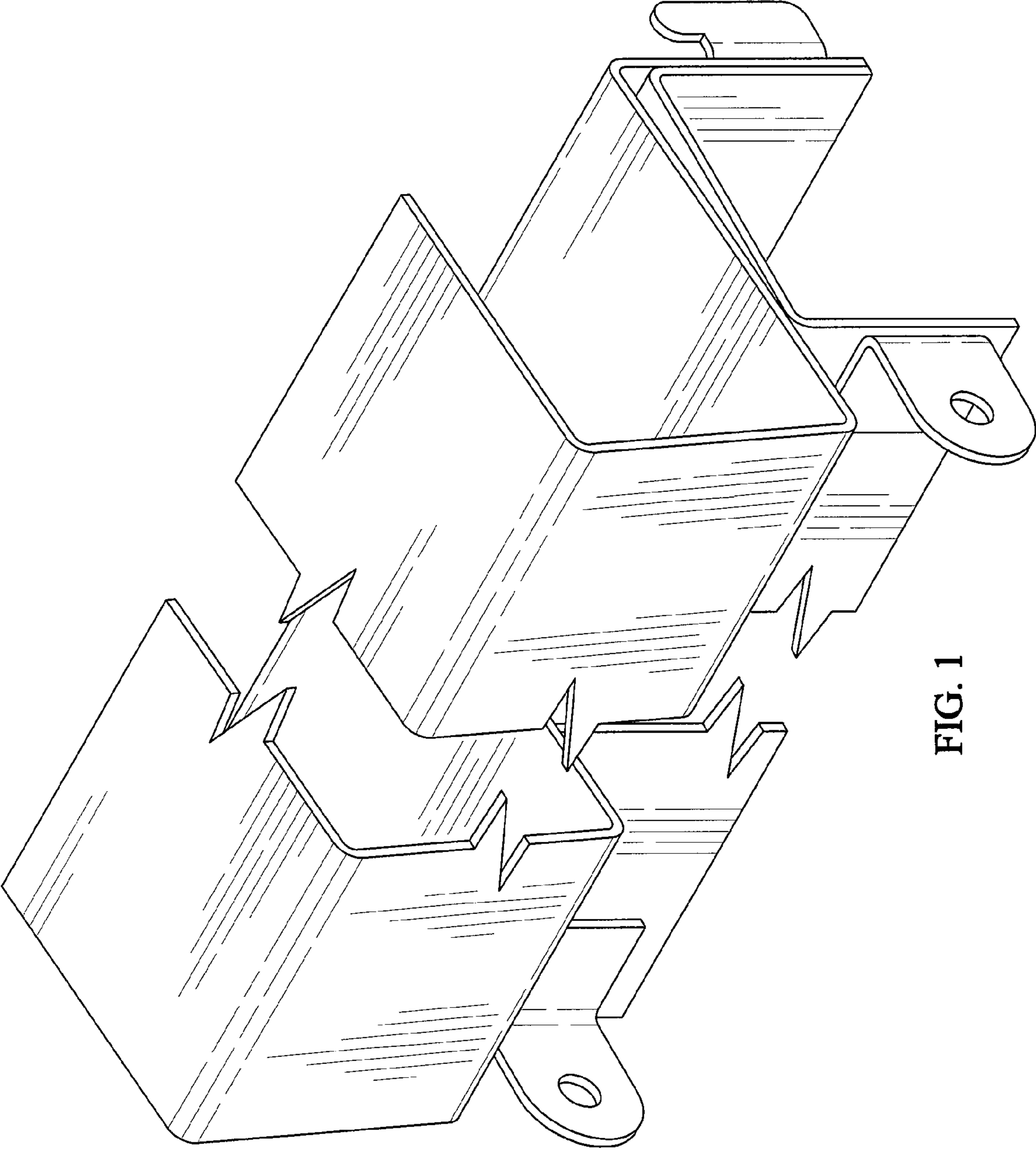


FIG. 1

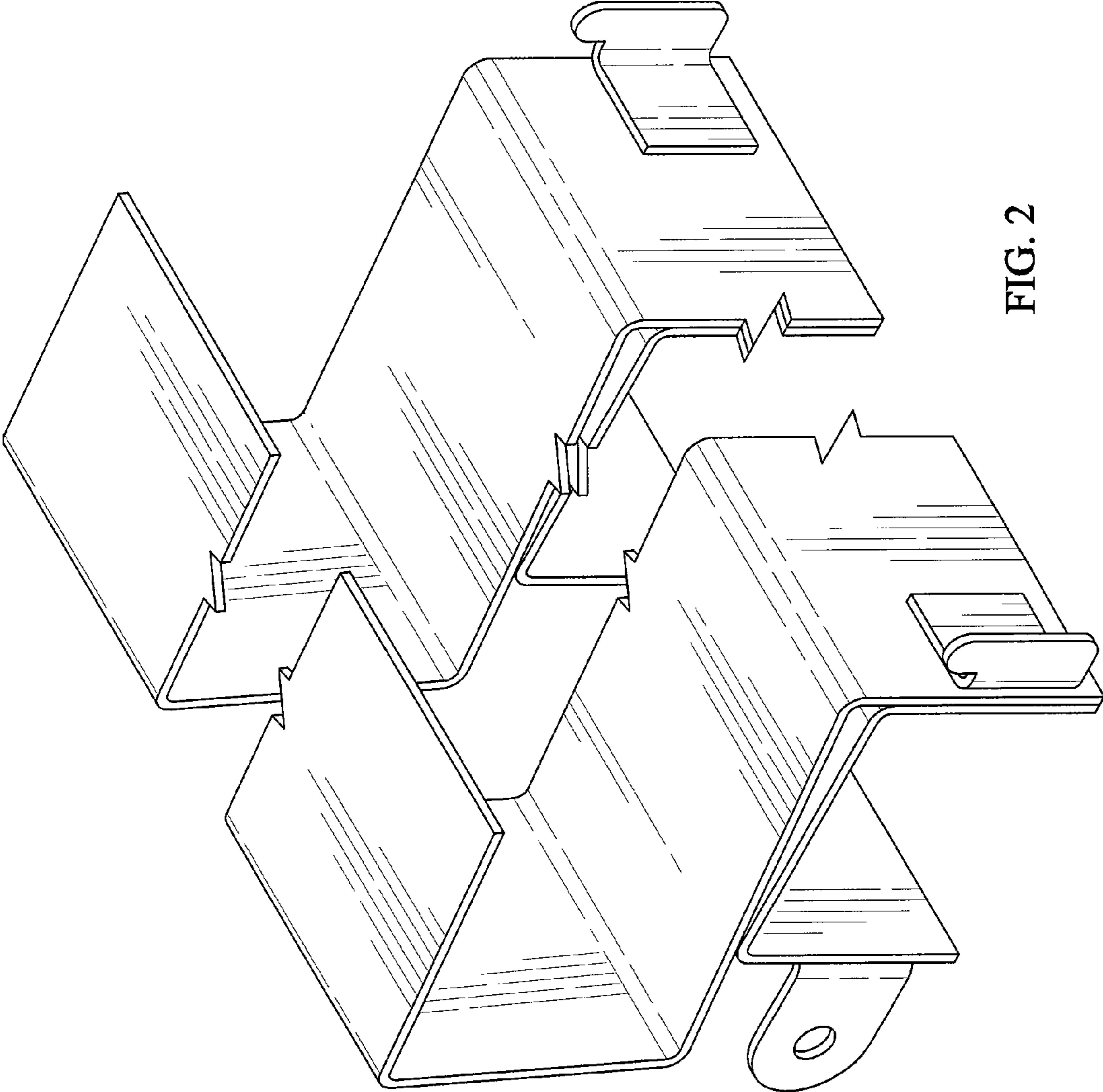


FIG. 2

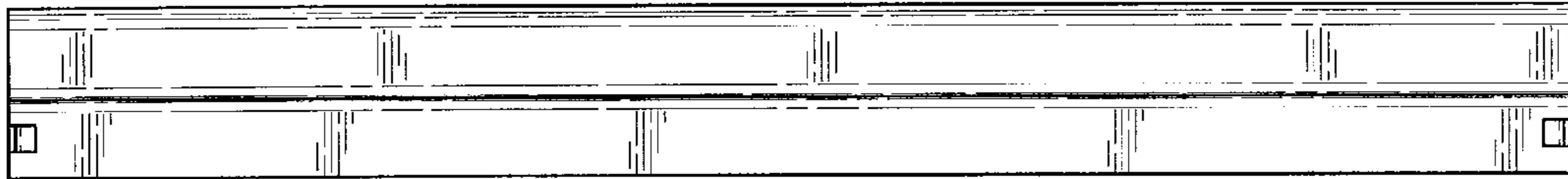


FIG. 3

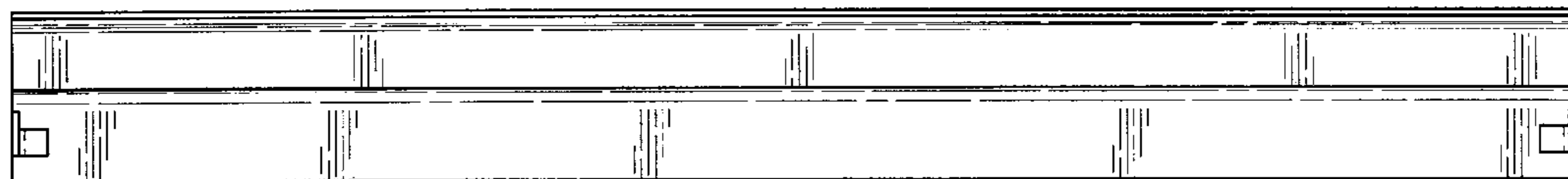


FIG. 4

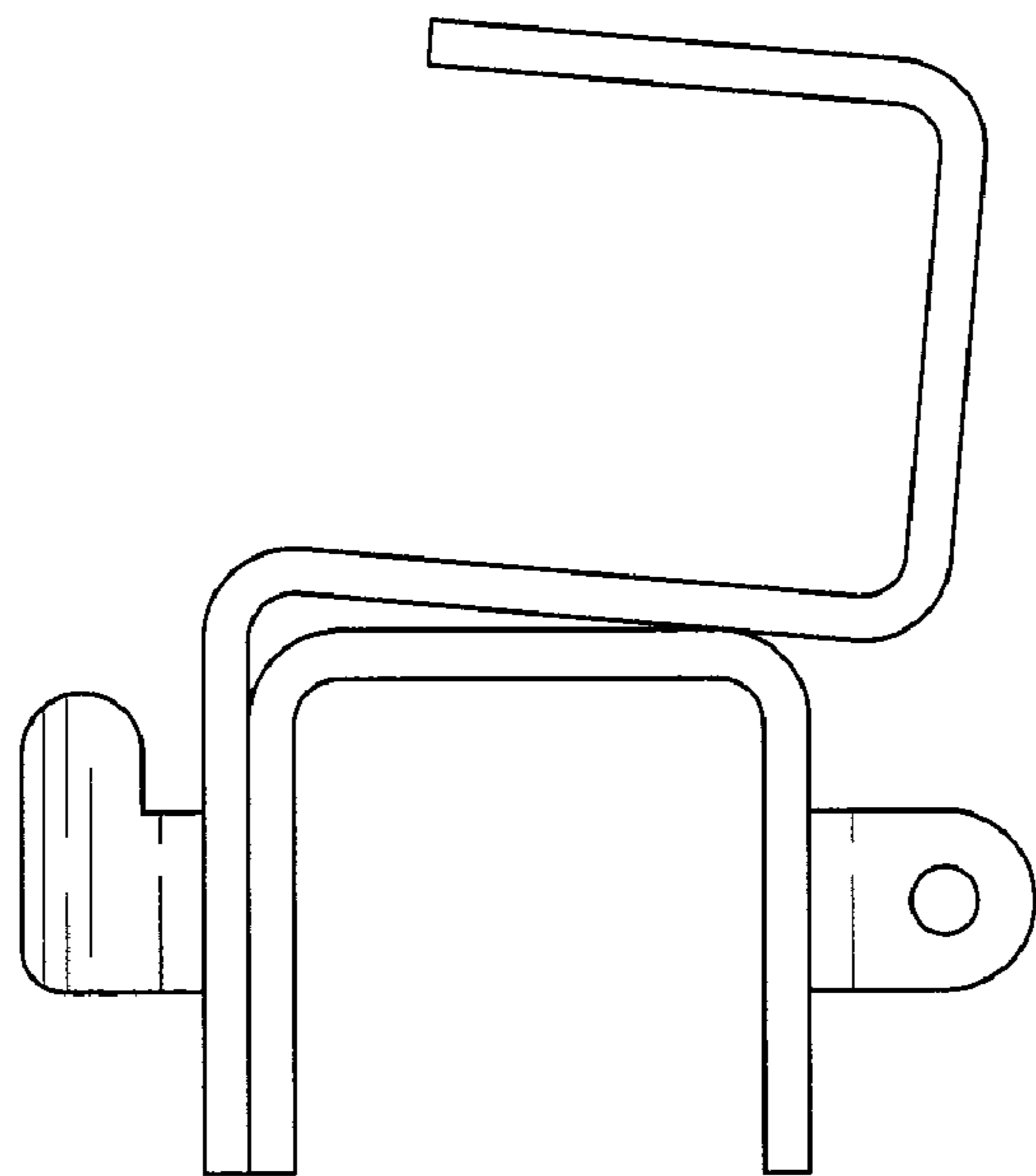


FIG. 5

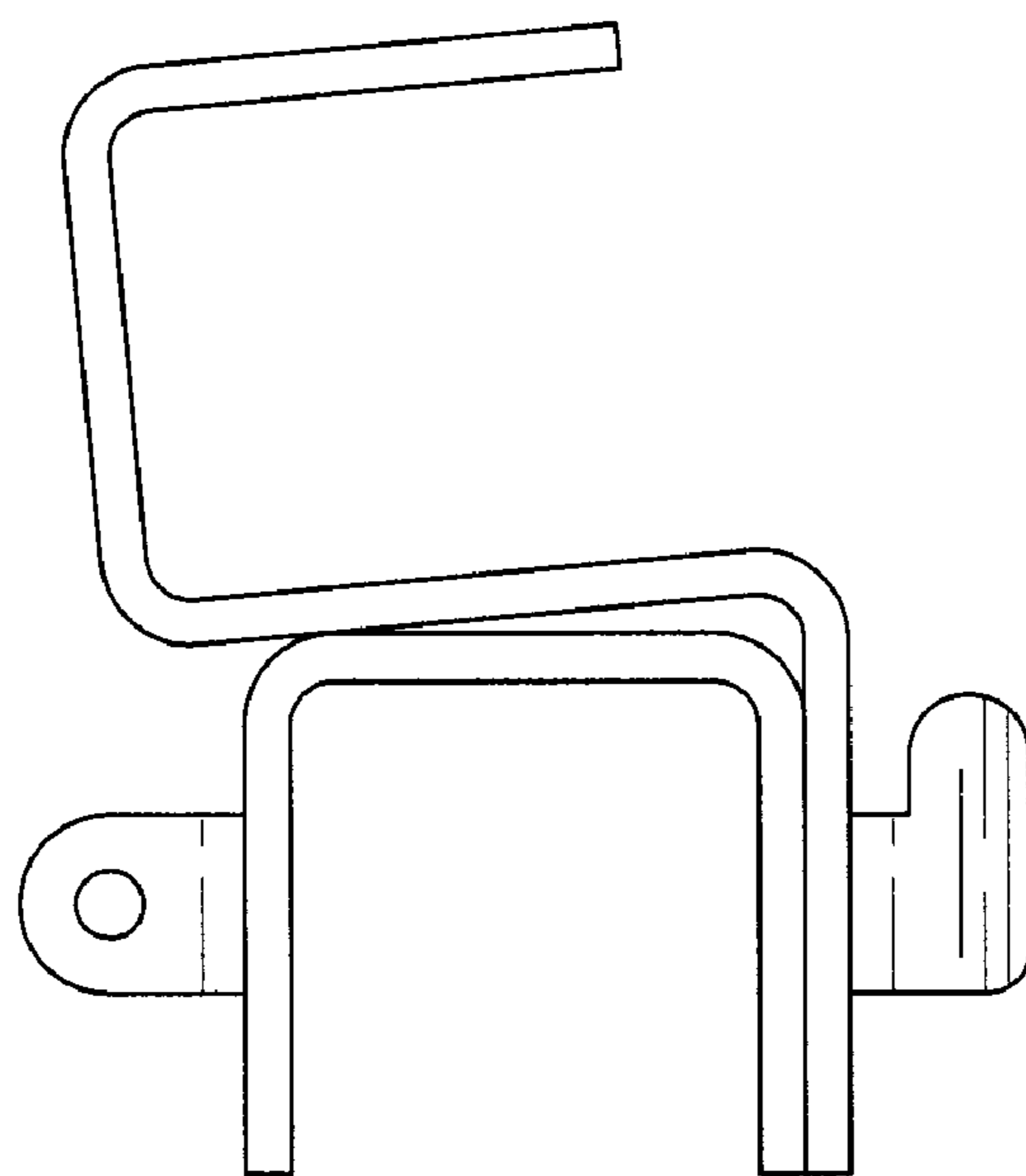


FIG. 6

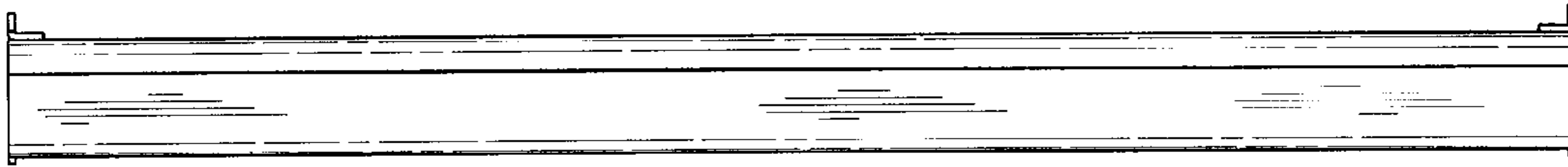


FIG. 7

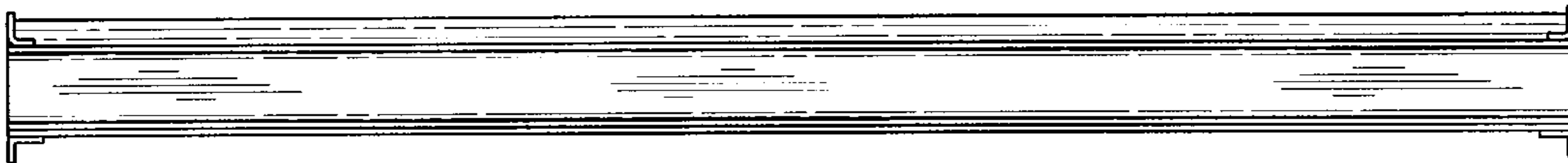


FIG. 8

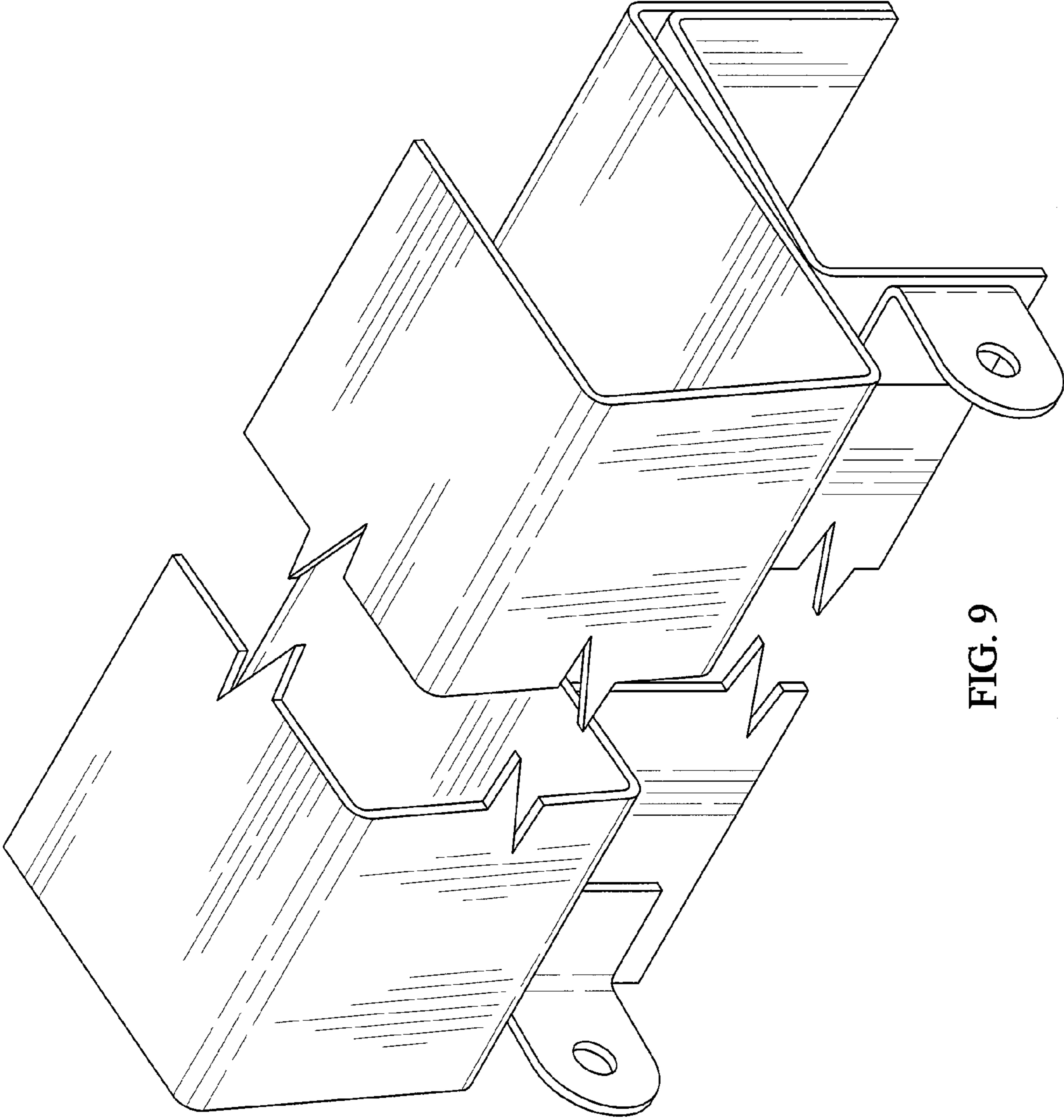


FIG. 9

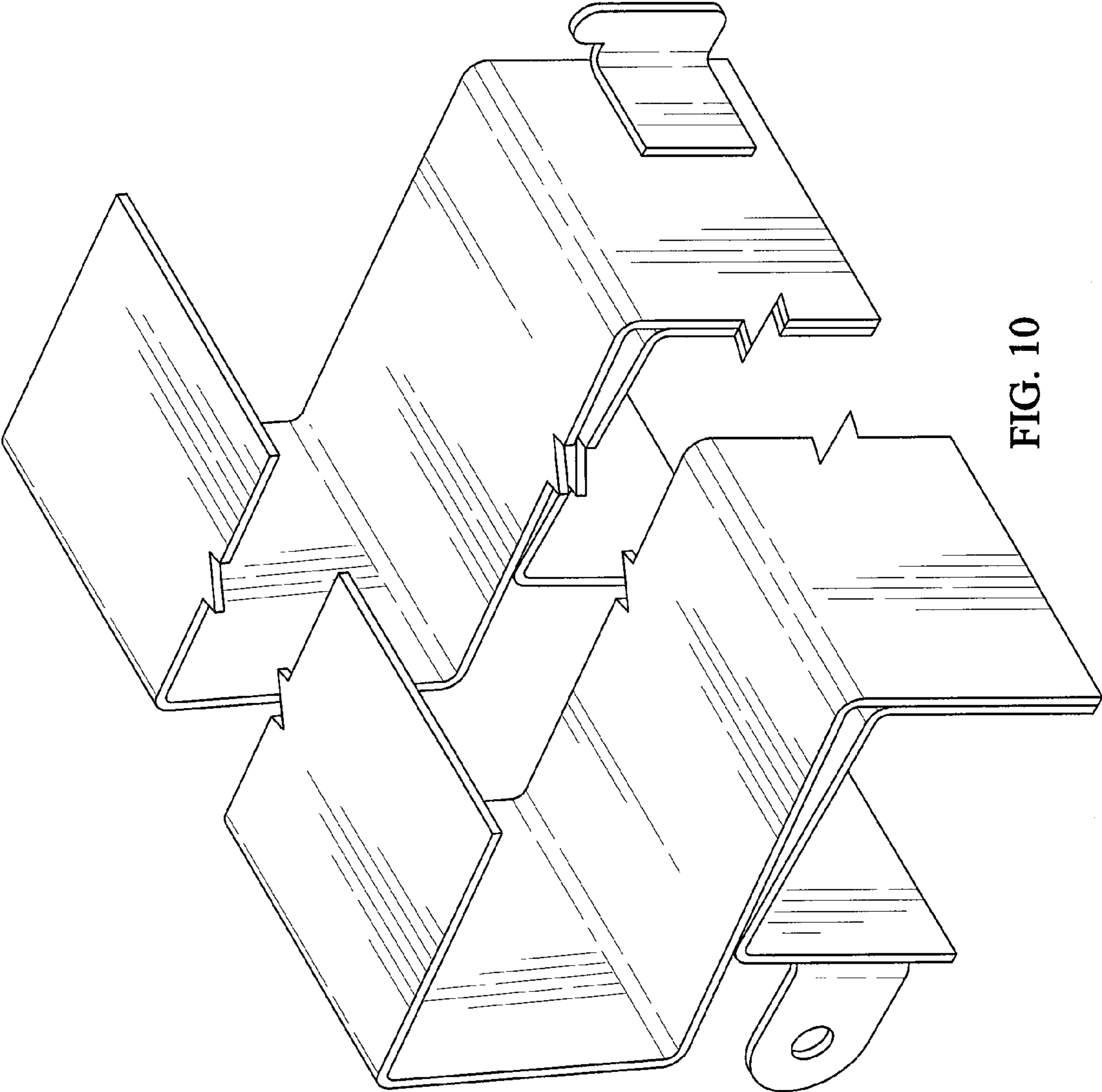


FIG. 10

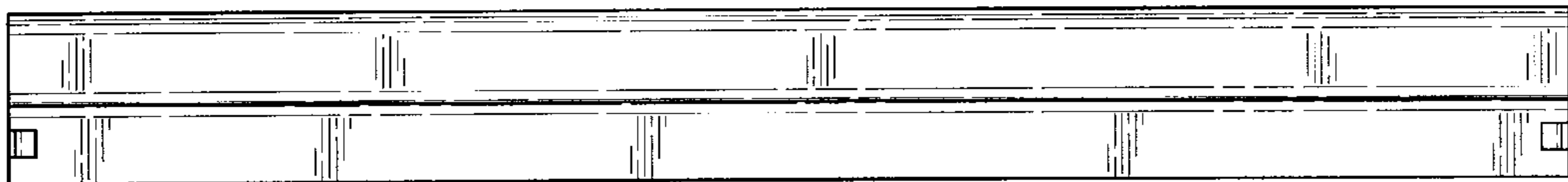


FIG. 11

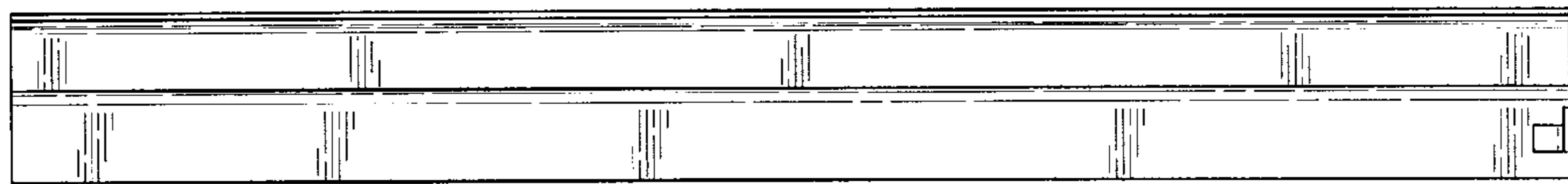


FIG. 12

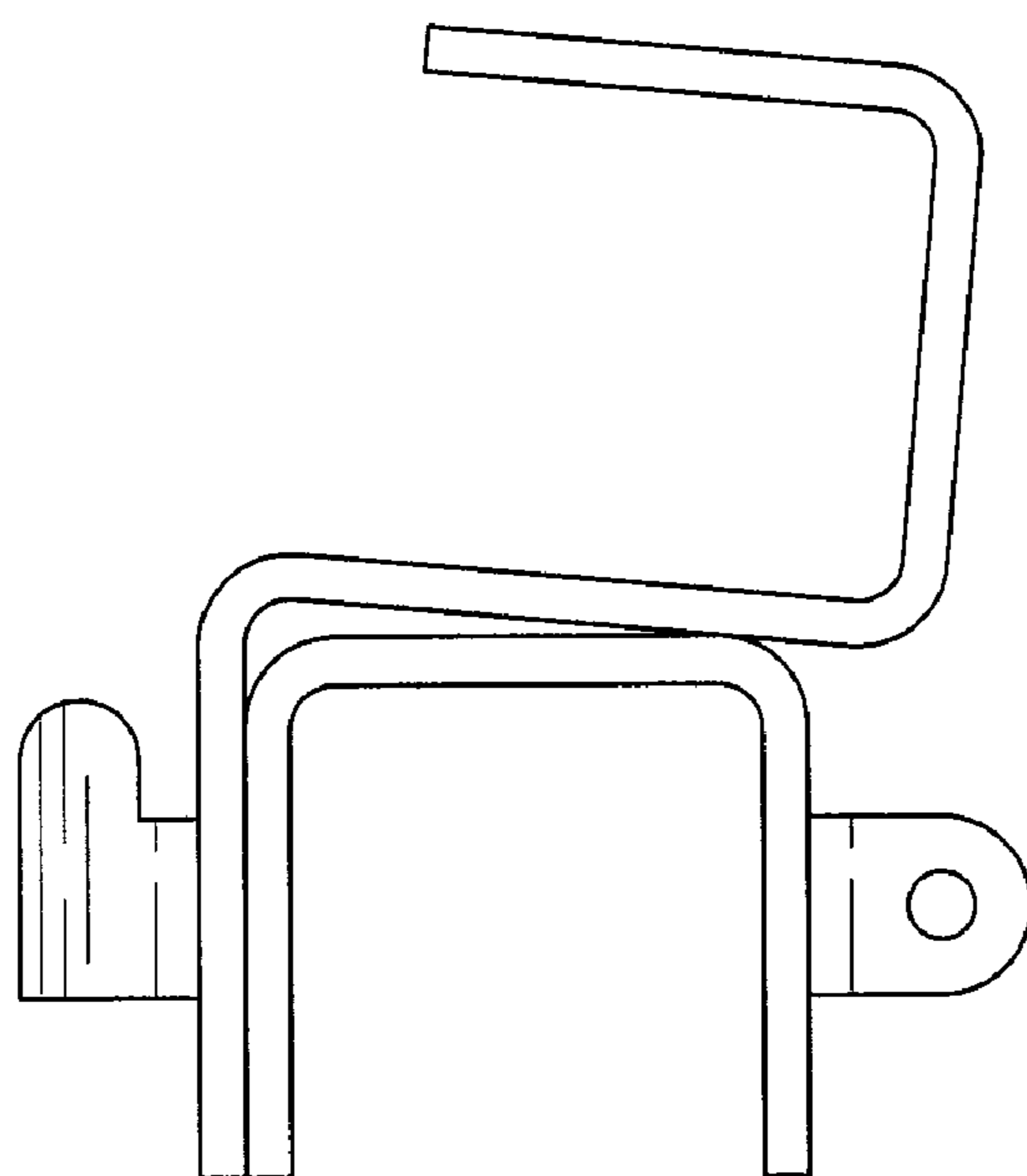


FIG. 13

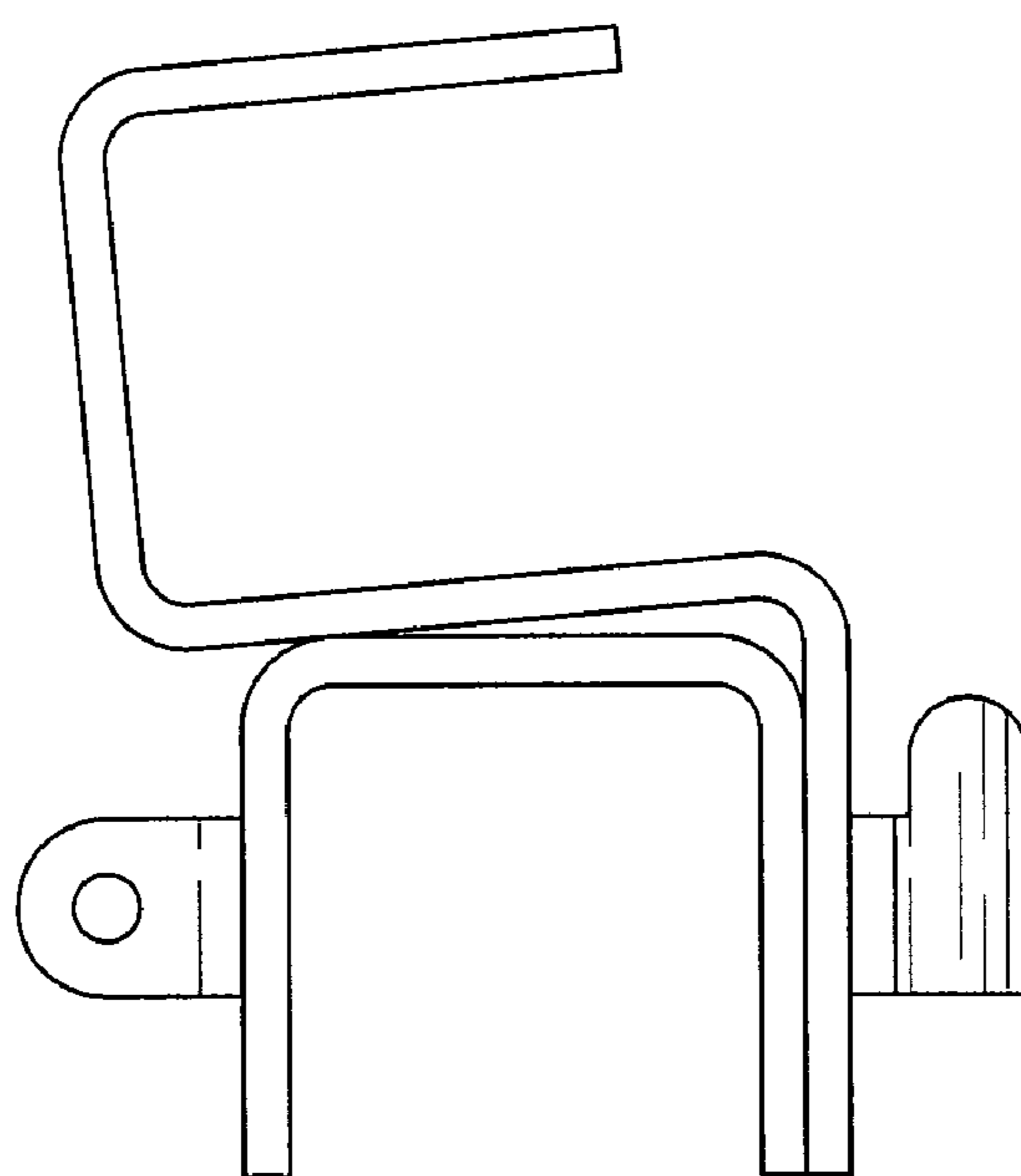


FIG. 14

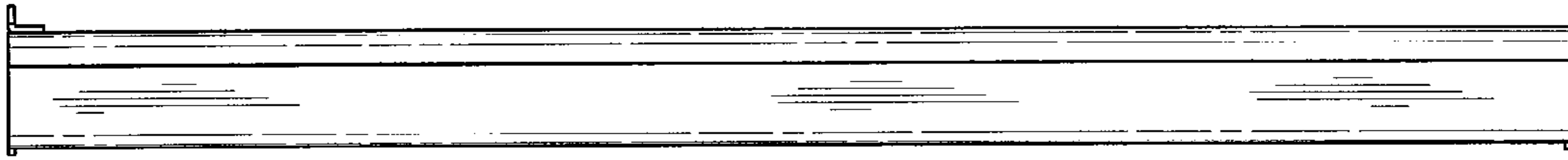


FIG. 15

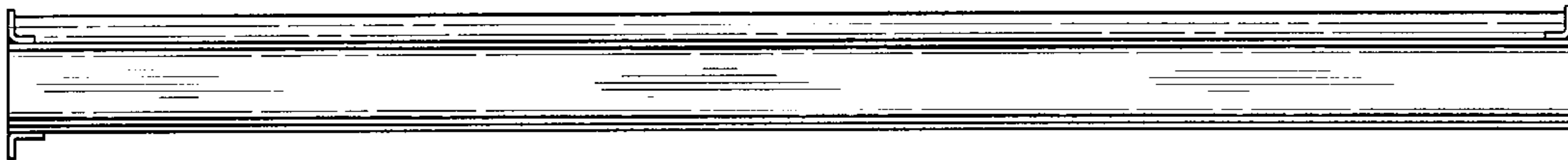


FIG. 16