



US00D672050S

(12) **United States Design Patent**  
**Lee et al.**

(10) **Patent No.:** **US D672,050 S**  
(45) **Date of Patent:** **\*\* Dec. 4, 2012**

(54) **DISK FOR A MEDICAL TESTING MACHINE**

(75) Inventors: **Beom-Seok Lee**, Hwaseong-si (KR);  
**Young-Goun Lee**, Seoul (KR)

(73) Assignee: **Samsung Electronics Co., Ltd.** (KR)

(\*\*) Term: **14 Years**

(21) Appl. No.: **29/415,305**

(22) Filed: **Mar. 9, 2012**

(30) **Foreign Application Priority Data**

Jan. 13, 2012 (KR) ..... 30-2012-0001879

(51) **LOC (9) Cl.** ..... **24-01**

(52) **U.S. Cl.** ..... **D24/216**

(58) **Field of Classification Search** ..... D24/216,  
D24/217, 219, 225, 231, 232, 107, 169, 186;  
D10/81; 422/500, 547, 62-65, 67, 72; 435/287.1,  
435/287.3; 436/43, 45, 47; 356/246; 494/16  
See application file for complete search history.

(56) **References Cited**

**U.S. PATENT DOCUMENTS**

4,766,078 A \* 8/1988 Gang ..... 435/287.3  
D329,024 S \* 9/1992 Marks ..... D24/225  
D491,276 S \* 6/2004 Langille ..... D24/225  
7,141,416 B2 \* 11/2006 Krutzik ..... 435/288.5

D564,667 S \* 3/2008 Bedingham et al. .... D24/216  
2008/0058991 A1 \* 3/2008 Lee et al. .... 422/68.1  
2009/0143250 A1 \* 6/2009 Lee et al. .... 506/39  
2009/0238724 A1 \* 9/2009 Yamamoto et al. .... 422/68.1  
2010/0050751 A1 \* 3/2010 Lee ..... 73/64.56  
2010/0175994 A1 \* 7/2010 Lee et al. .... 204/416  
2011/0124132 A1 \* 5/2011 Kim et al. .... 436/525

\* cited by examiner

*Primary Examiner* — Anhdao Doan

(74) *Attorney, Agent, or Firm* — NSIP Law

(57) **CLAIM**

The ornamental design for a disk for a medical testing machine, as shown and described.

**DESCRIPTION**

FIG. 1 is a top perspective view of a disk for a medical testing machine;

FIG. 2 is a top plan view thereof;

FIG. 3 is a bottom plan view thereof;

FIG. 4 is a front view thereof;

FIG. 5 is a rear view thereof;

FIG. 6 is a left-side view thereof;

FIG. 7 is a right side view thereof;

FIG. 8 is another top perspective view thereof;

FIG. 9 is an enlarged view thereof taken at lines 9a-9a', 9b-9b' of FIG. 8; and,

FIG. 10 is a bottom perspective view thereof.

**1 Claim, 8 Drawing Sheets**

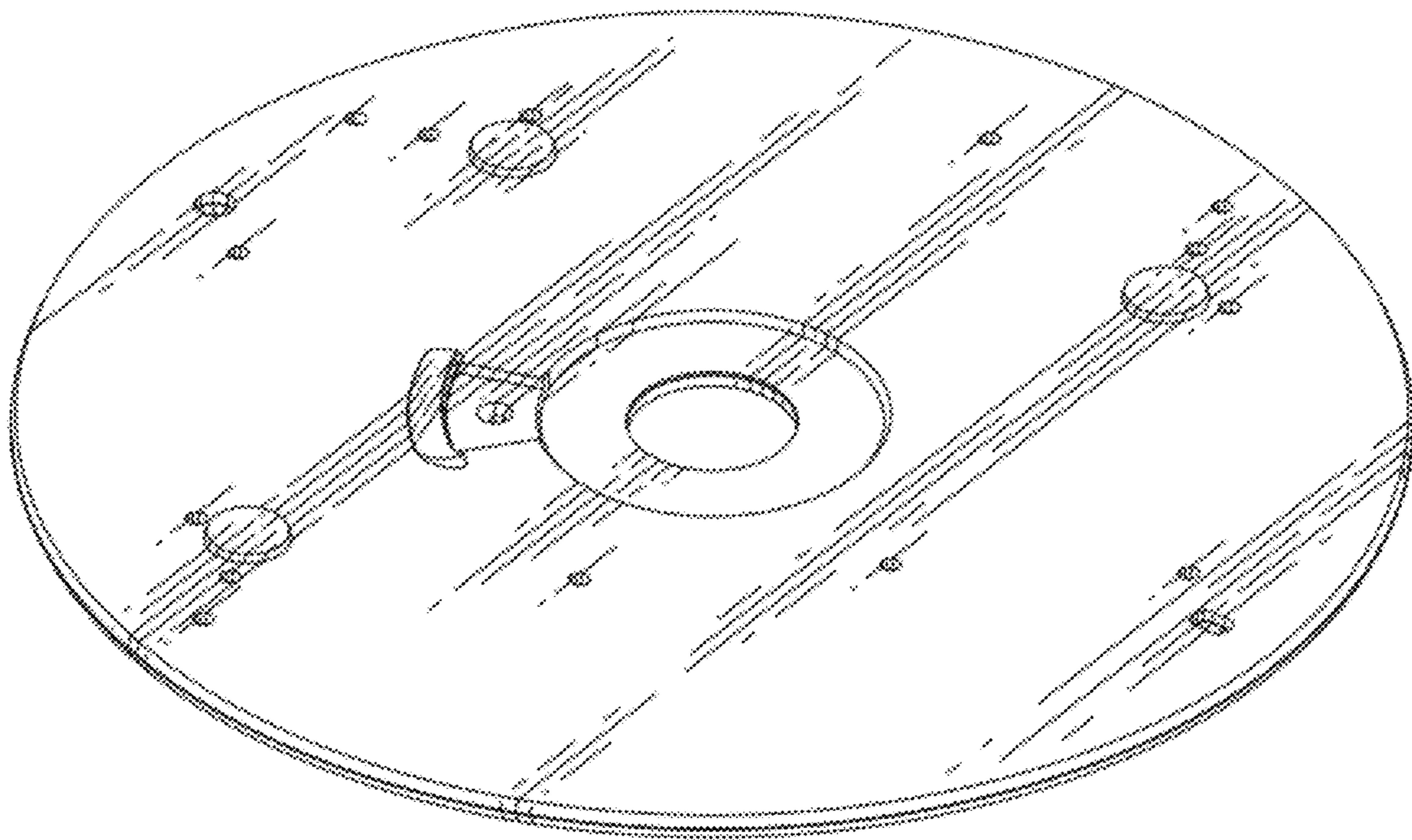


FIG. 1

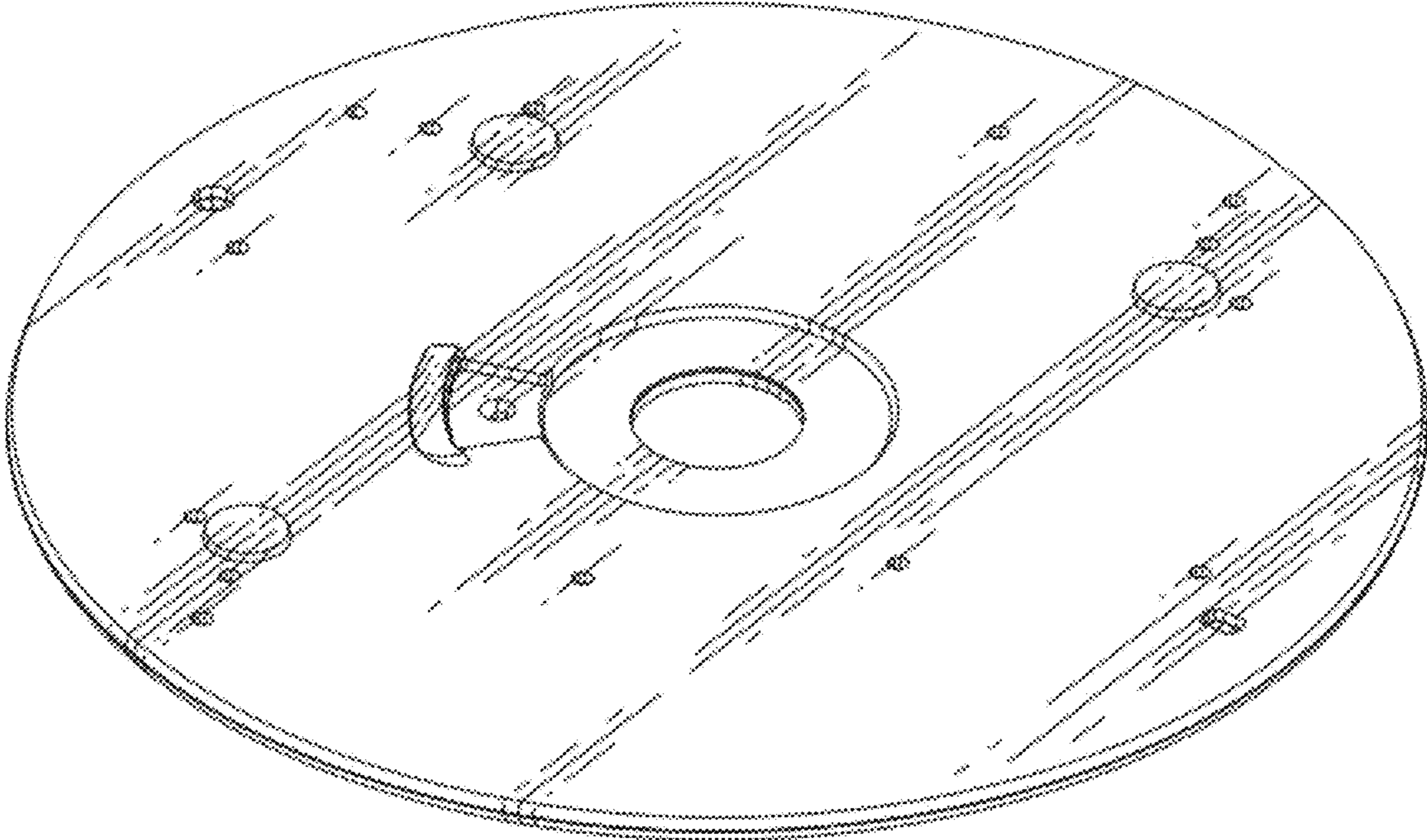


FIG. 2

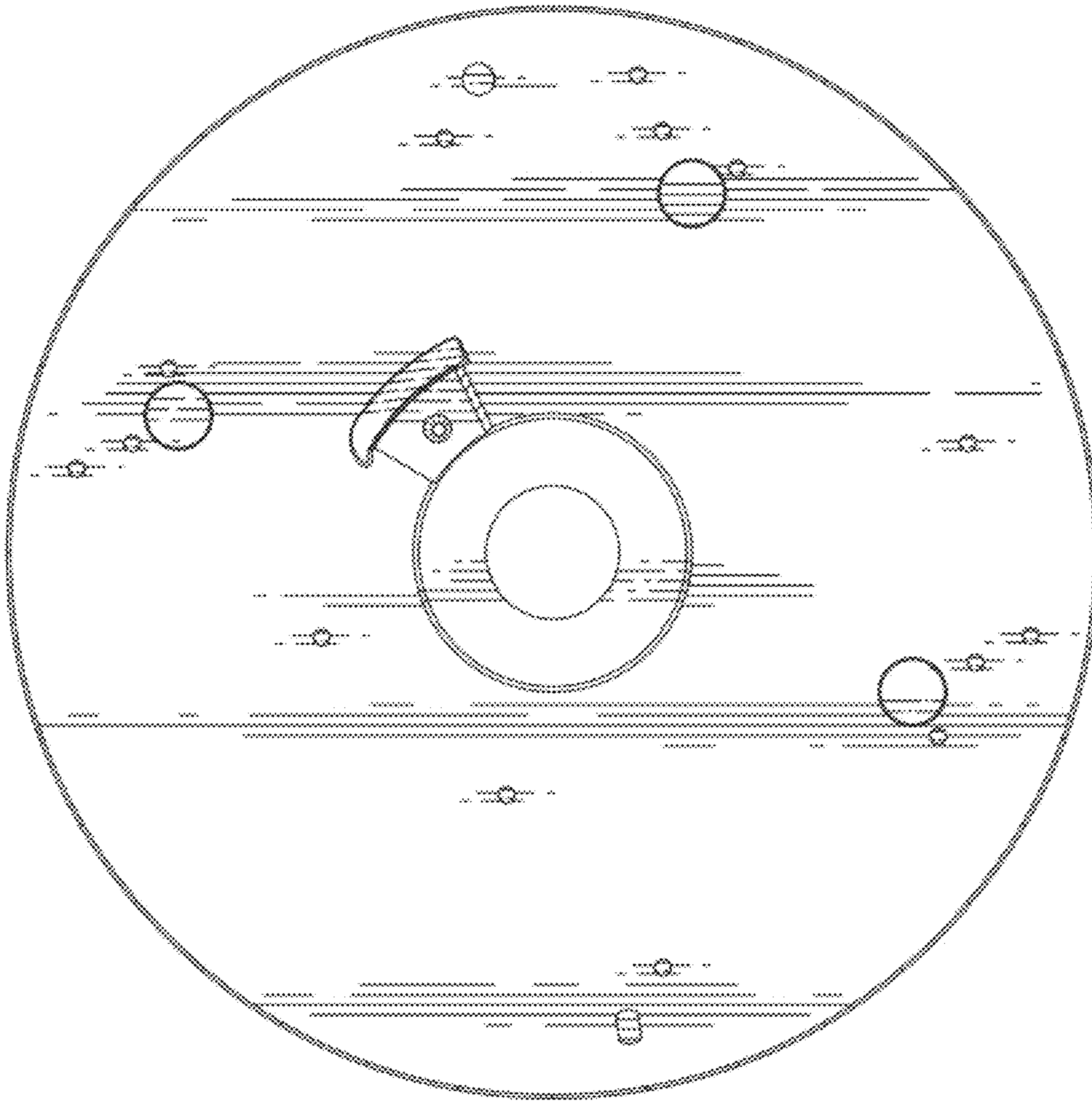




FIG. 3

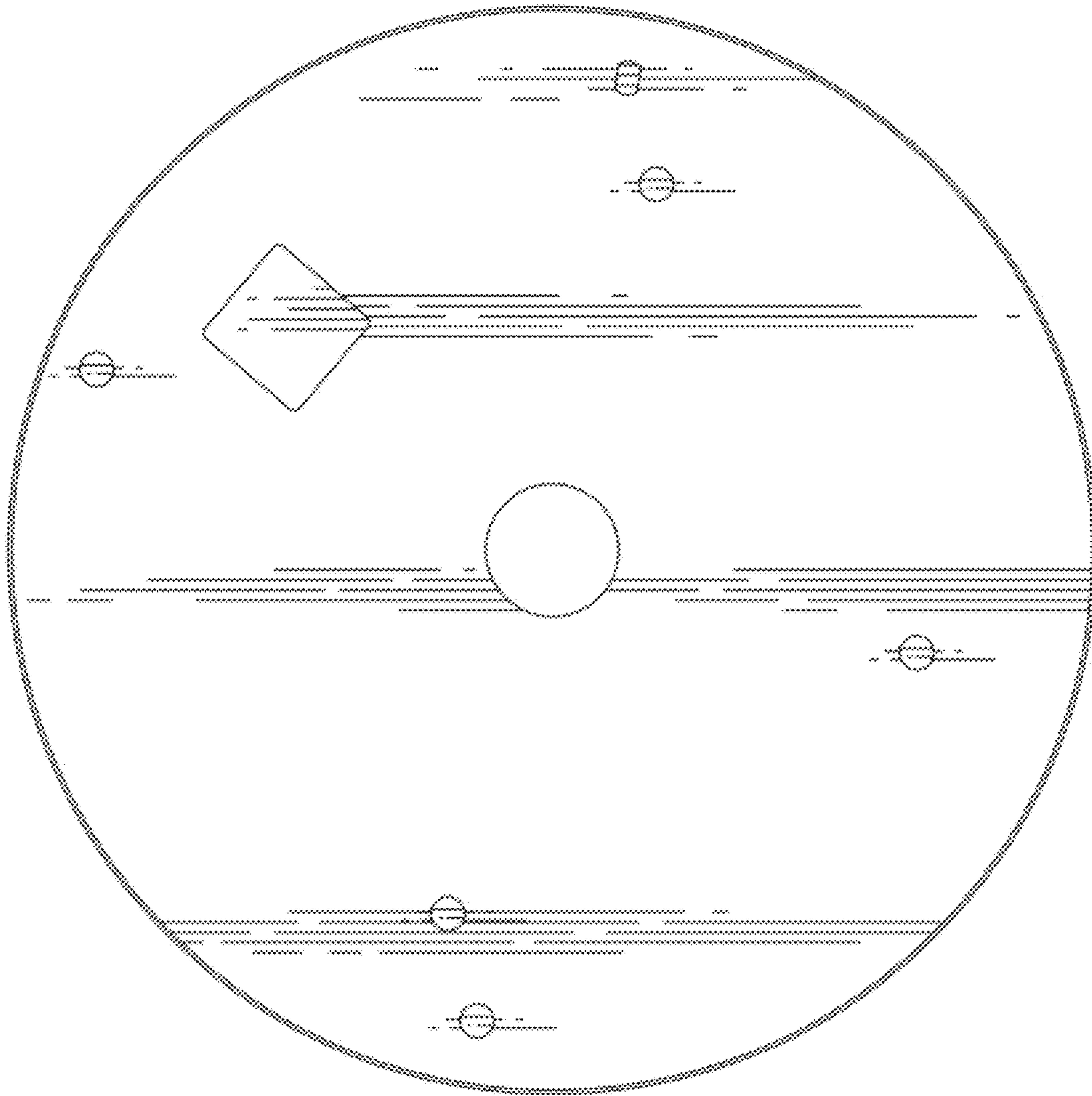


FIG. 4

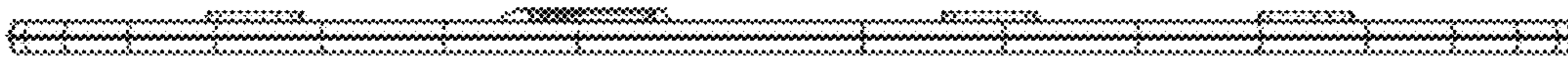


FIG. 5

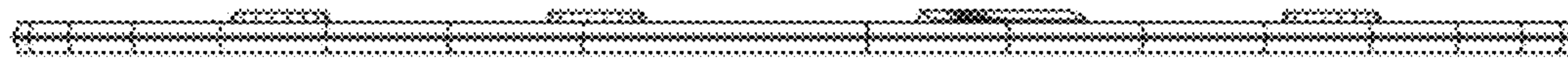


FIG. 6

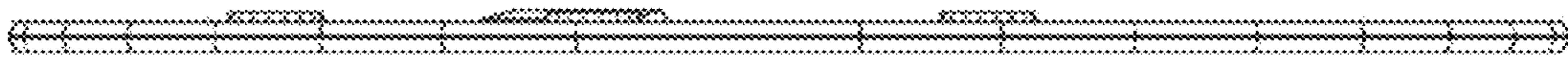


FIG. 7

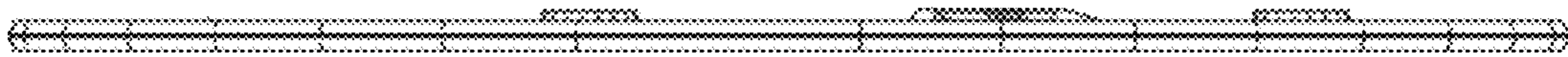


FIG. 8

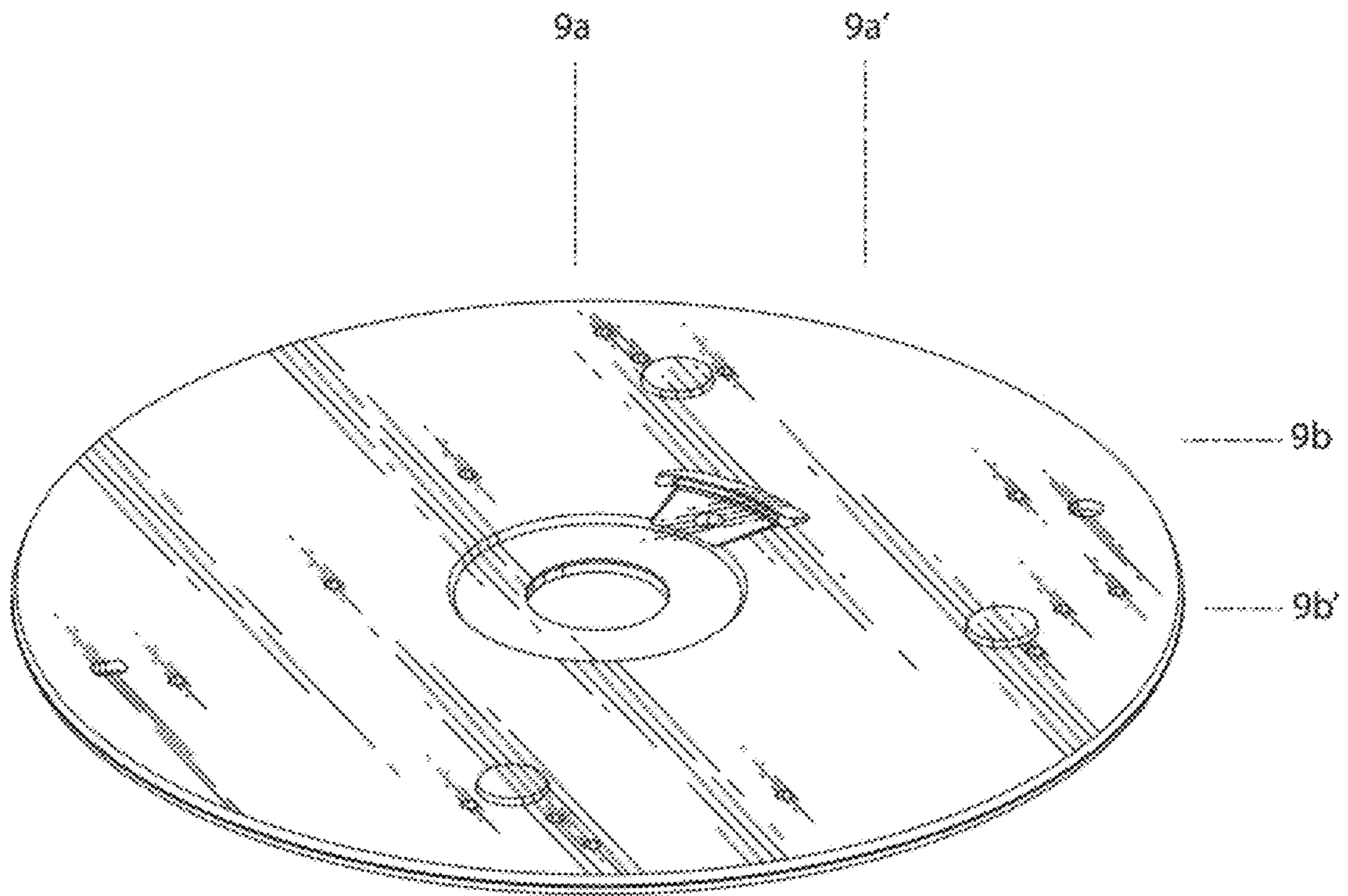


FIG. 9

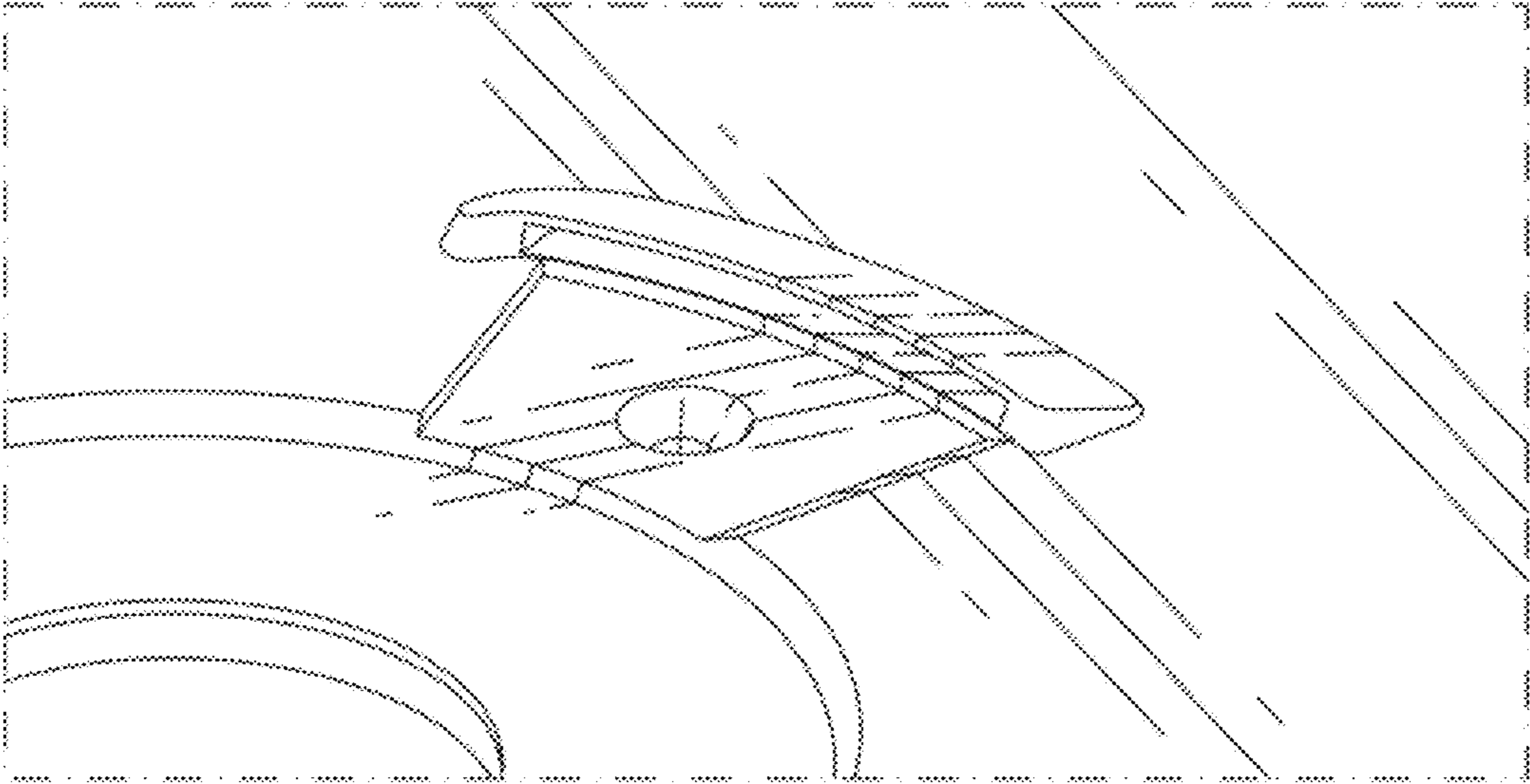




FIG. 10

