



US00D672049S

(12) **United States Design Patent**
van der Lande

(10) **Patent No.:** **US D672,049 S**

(45) **Date of Patent:** **** Dec. 4, 2012**

(54) **ALIEN HEAD MASSAGER**

(75) Inventor: **Jan van der Lande**, New York, NY (US)

(73) Assignee: **Kikkerland Design Inc.**, New York, NY (US)

(**) Term: **14 Years**

(21) Appl. No.: **29/412,888**

(22) Filed: **Feb. 8, 2012**

(51) **LOC (9) Cl.** **28-03**

(52) **U.S. Cl.** **D24/215**

(58) **Field of Classification Search** D24/200,
D24/211-215, 141; 601/27, 28, 33, 40, 46,
601/47, 48, 63, 80, 99, 104, 112, 113, 114,
601/119, 122, 125, 129, 134, 135, 137, DIG. 12,
601/DIG. 13, DIG. 14, DIG. 15, DIG. 16,
601/DIG. 17

See application file for complete search history.

(56) **References Cited**

U.S. PATENT DOCUMENTS

397,474	A *	2/1889	Stanley	607/148
D145,701	S *	10/1946	Rodgers	D21/601
D438,978	S *	3/2001	Conwell	D24/214
6,309,365	B1 *	10/2001	Lacey	601/137
6,450,980	B1 *	9/2002	Robbins et al.	601/137
D468,435	S *	1/2003	Qi et al.	D24/214
D472,641	S *	4/2003	Robbins et al.	D24/200
D473,949	S *	4/2003	Sorlie et al.	D24/214

D488,231	S *	4/2004	Sorlie	D24/214
7,186,227	B2 *	3/2007	Friedland	601/72
7,186,228	B2 *	3/2007	Friedland	601/72
7,393,332	B2 *	7/2008	Friedland	601/72
7,399,287	B2 *	7/2008	Meisch	601/137
2003/0018285	A1 *	1/2003	Robbins et al.	601/137
2003/0083600	A1 *	5/2003	Robbins et al.	601/133
2003/0208144	A1 *	11/2003	Sorlie et al.	601/137
2004/0049138	A1 *	3/2004	Li	601/137
2005/0020943	A1 *	1/2005	Friedland	601/1
2005/0020944	A1 *	1/2005	Friedland	601/1
2005/0043656	A1 *	2/2005	Lacey	601/72

* cited by examiner

Primary Examiner — Sandra Snapp

(74) *Attorney, Agent, or Firm* — Cascio S. Zervas

(57) **CLAIM**

The ornamental design for an alien head massager, as shown and described.

DESCRIPTION

FIG. 1 is a front elevational view of the alien head massager showing my design;

FIG. 2 is a rear elevational view thereof;

FIG. 3 is a left side elevational view thereof;

FIG. 4 is a right side elevational view thereof;

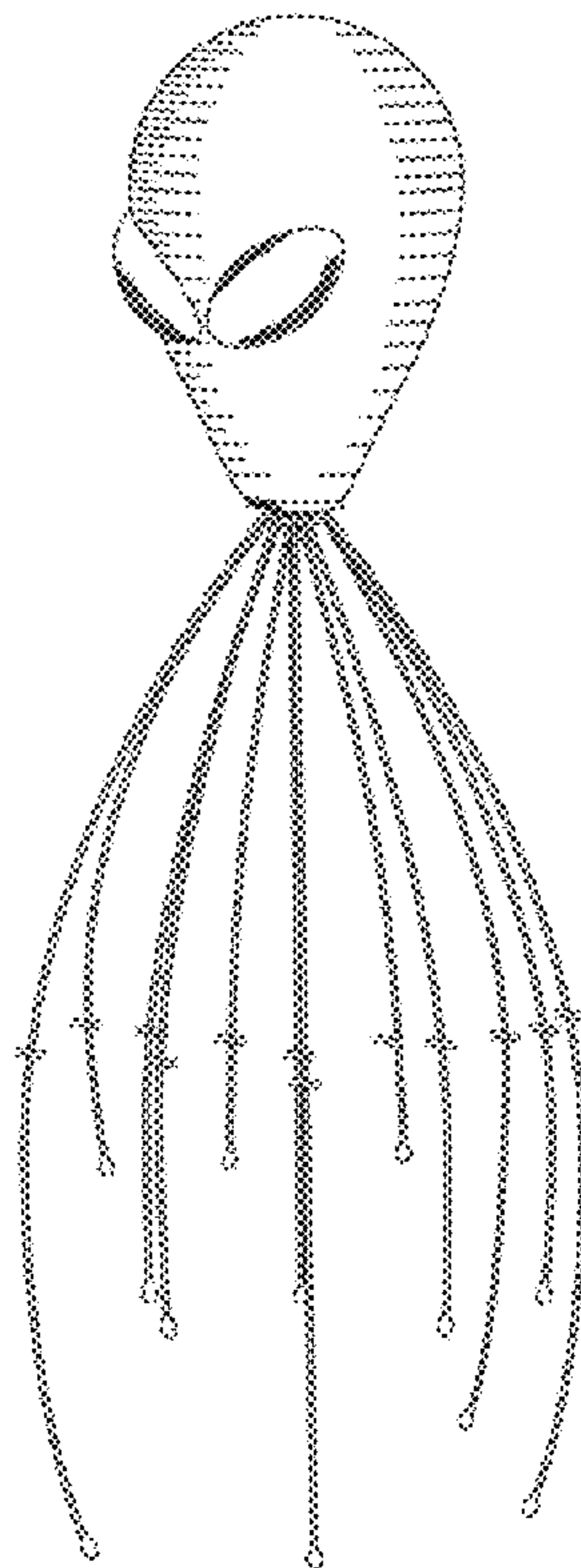
FIG. 5 is a top plan view thereof;

FIG. 6 is a bottom plan view thereof; and,

FIG. 7 is a perspective view thereof.

The break lines in FIGS. 1-7 are for the purpose of showing indefinite lengths of the rods.

1 Claim, 3 Drawing Sheets



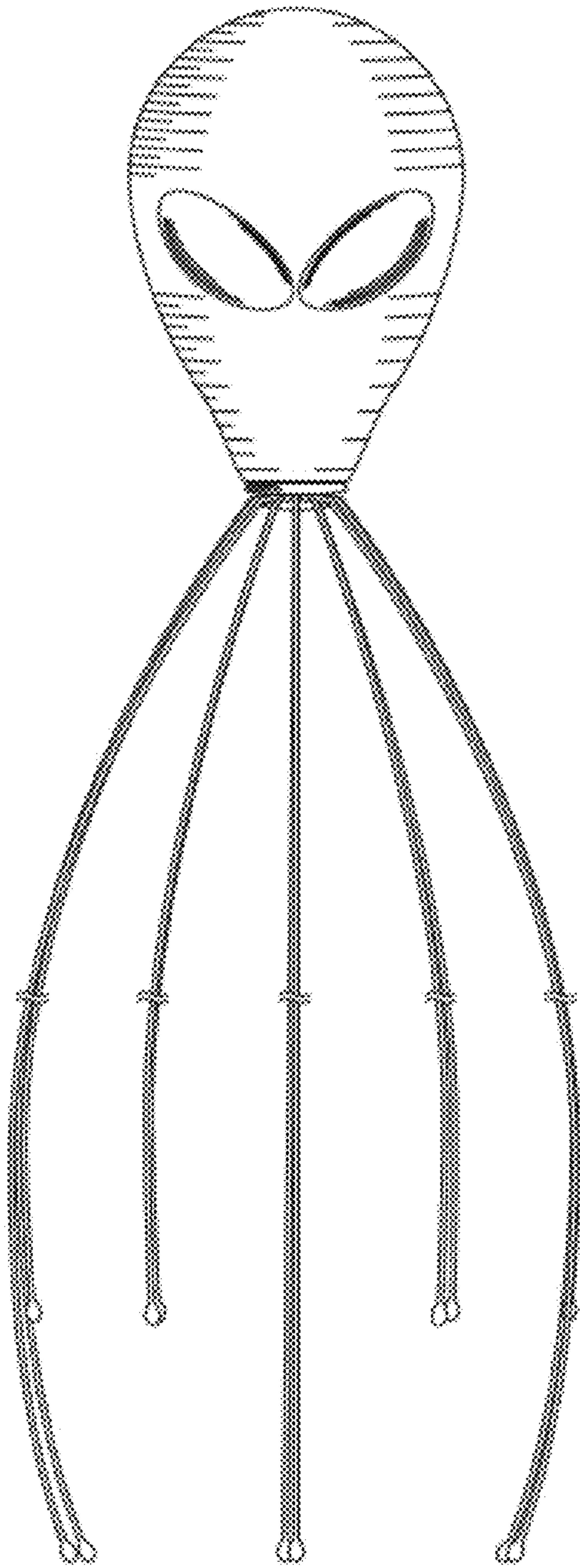


FIG. 1

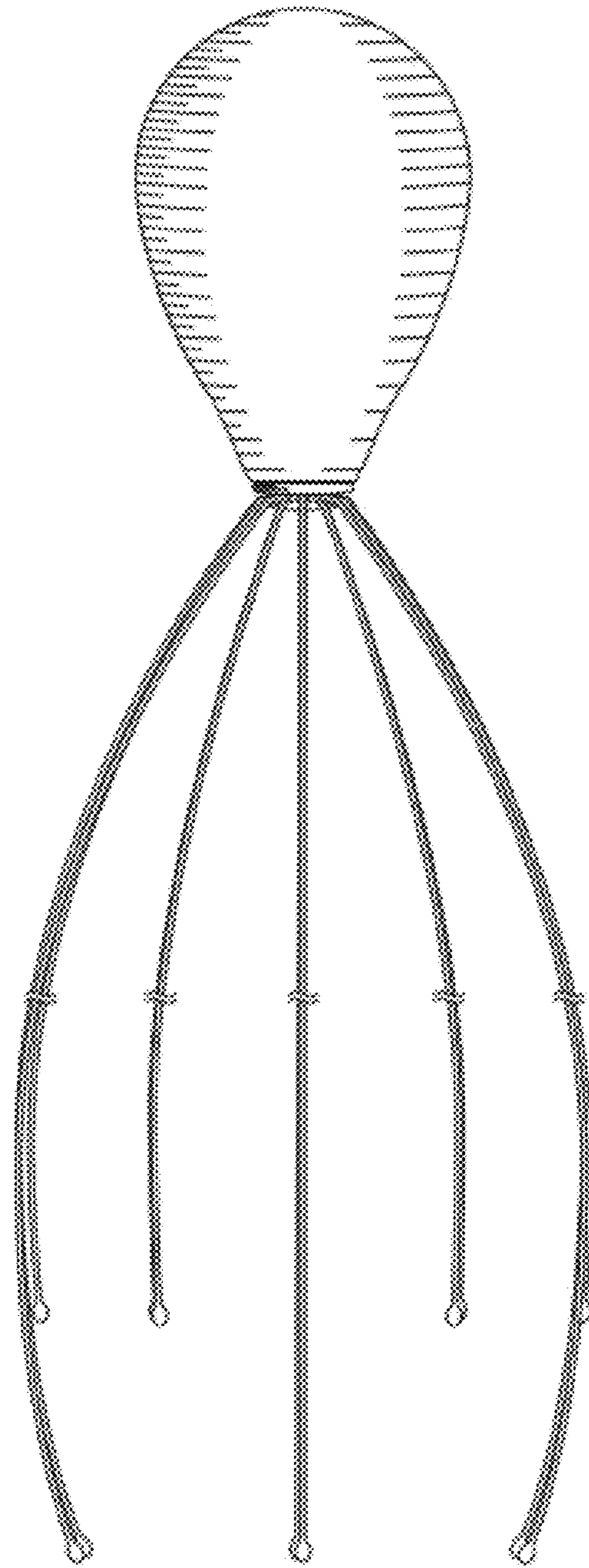


FIG. 2

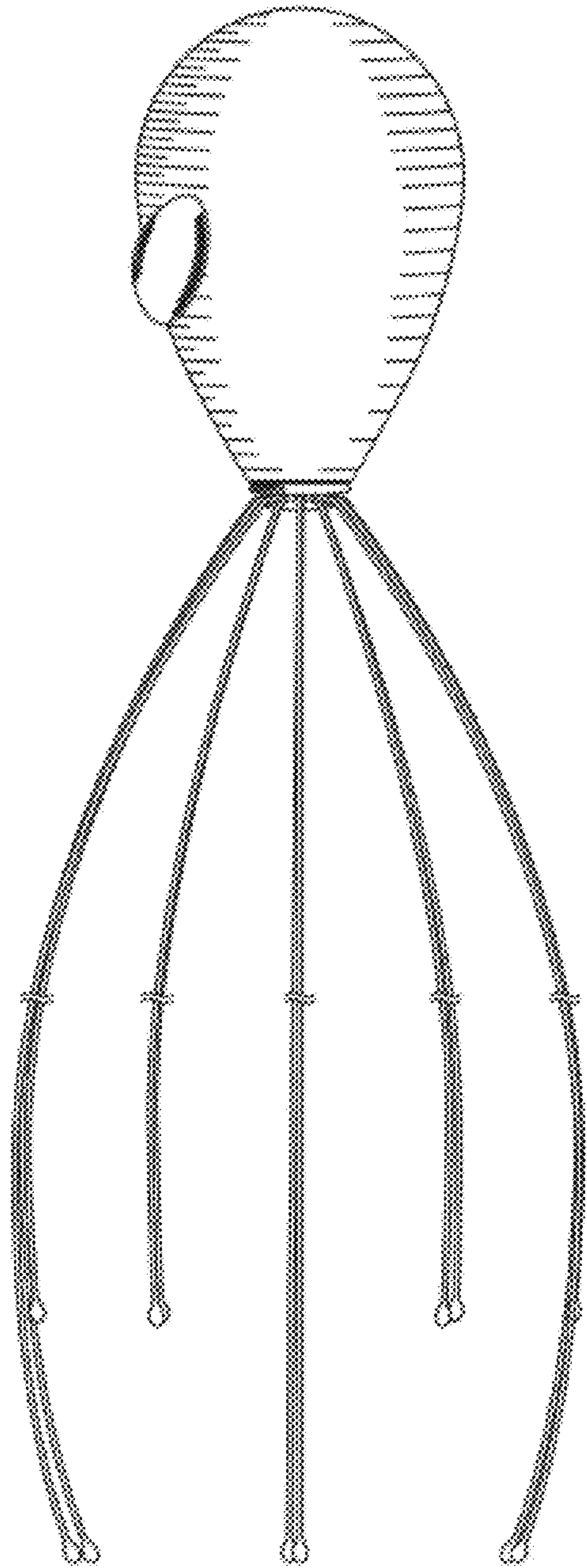


FIG. 3

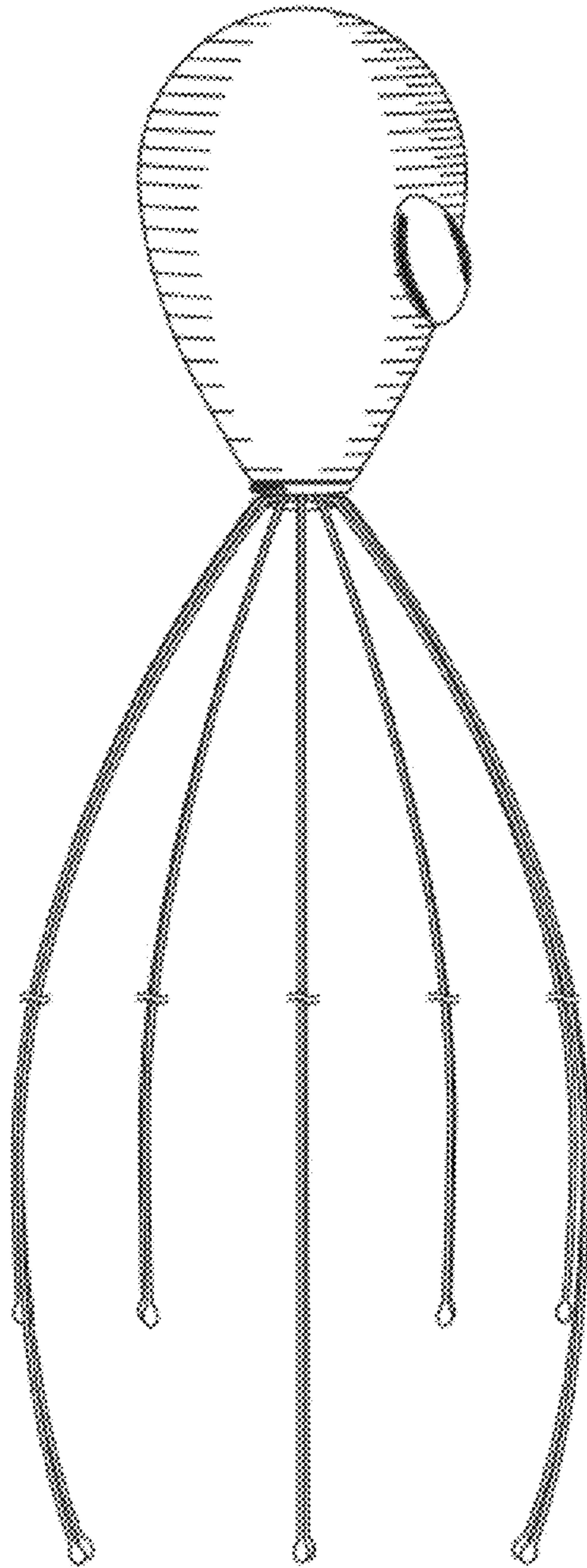


FIG. 4

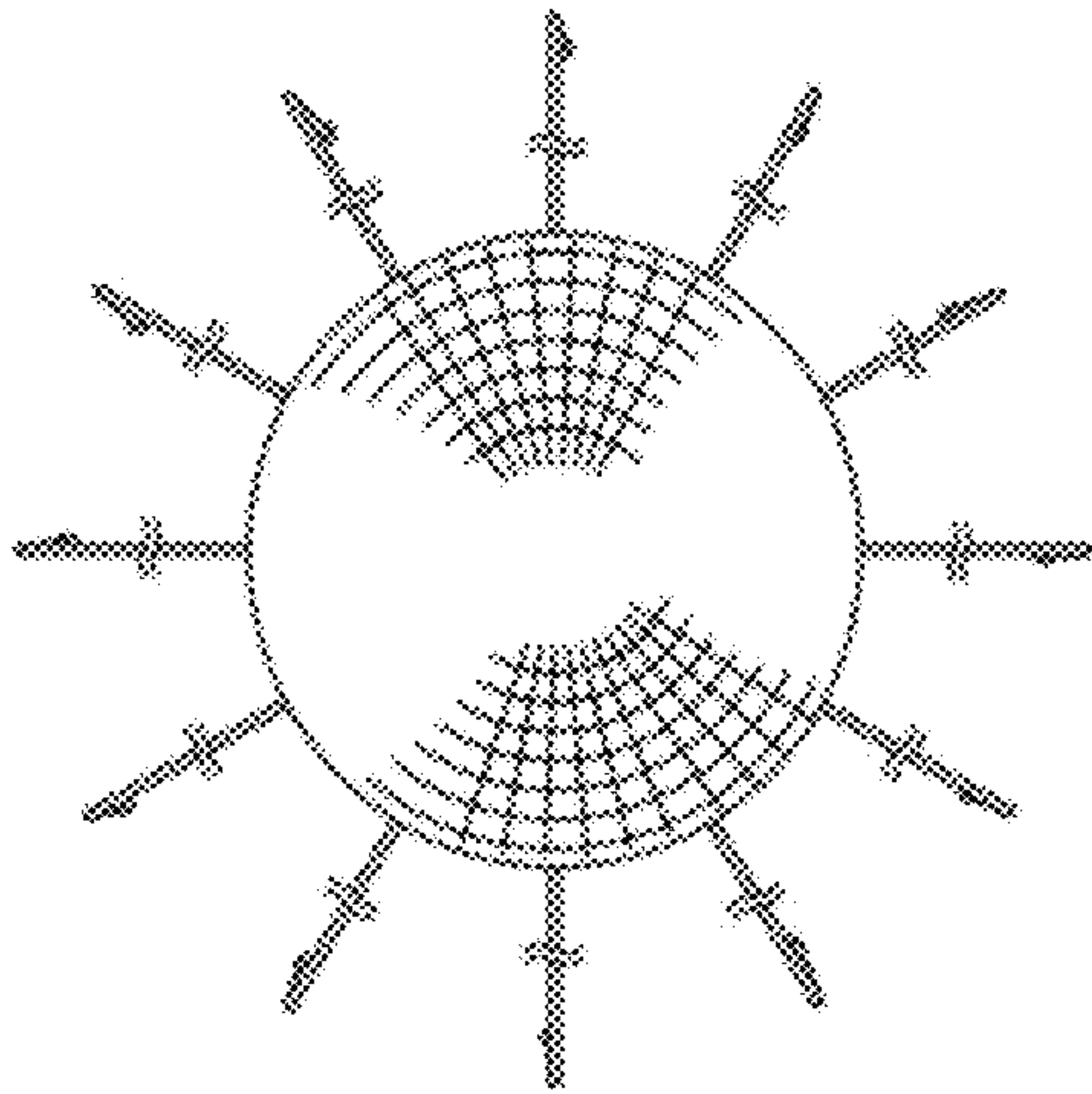


FIG. 5

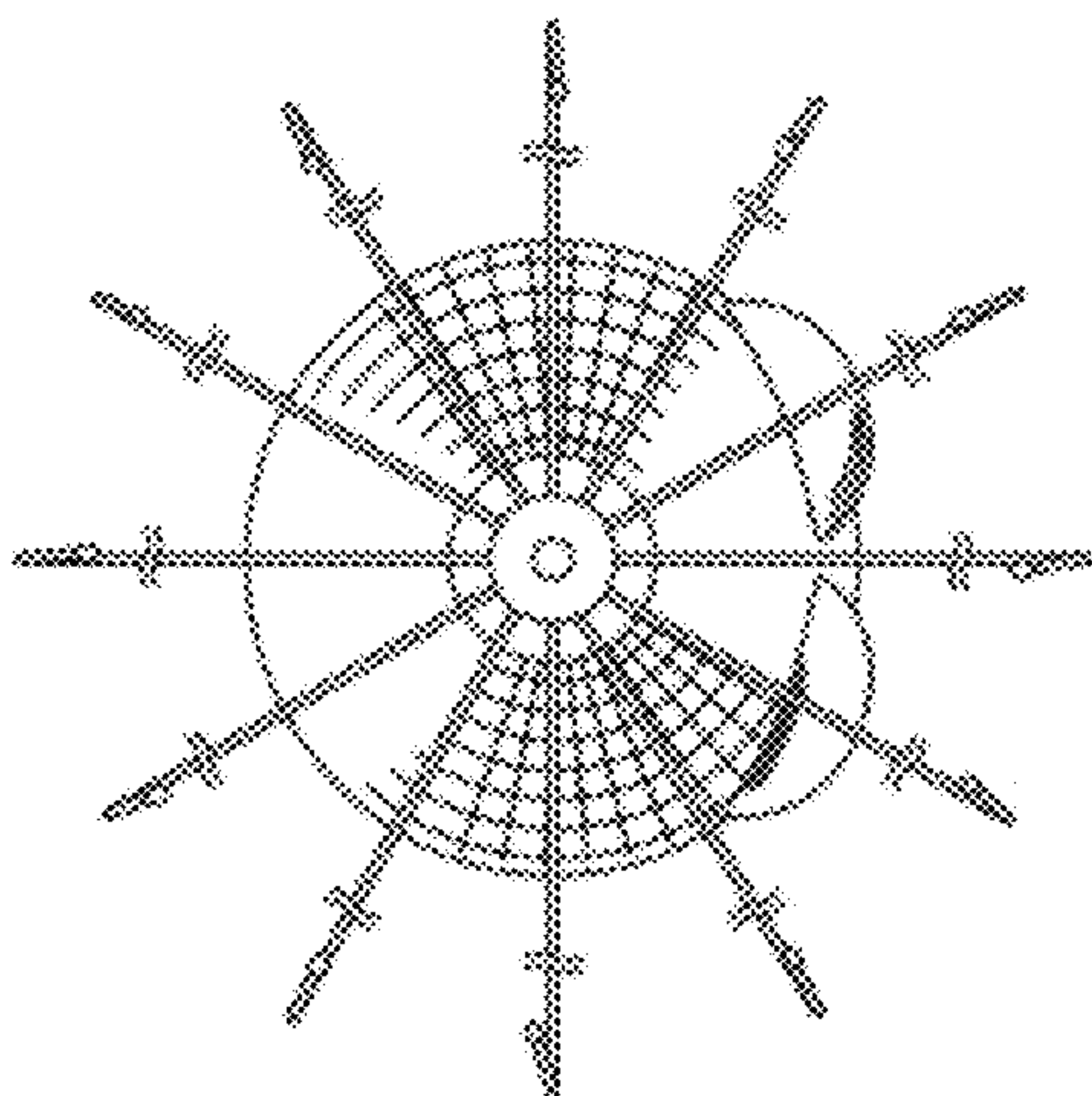


FIG. 6

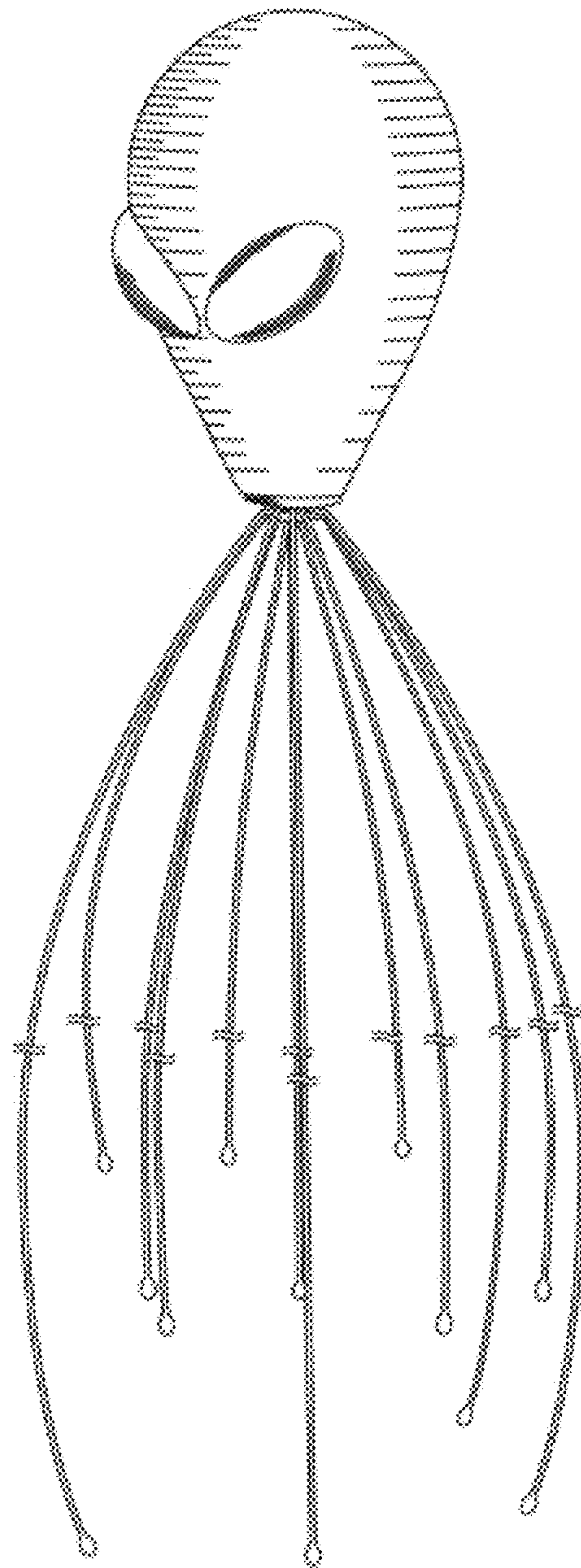


FIG. 7