



US00D672048S

(12) **United States Design Patent**
Datema et al.

(10) **Patent No.:** **US D672,048 S**
(45) **Date of Patent:** **** Dec. 4, 2012**

(54) **RELAXATION APPARATUS FOR CARE ENVIRONMENT**

(75) Inventors: **Cor Datema**, Best (NL); **Wim d’Hont**, St-Andries Brugge (BE); **Murray Fulton Gillies**, Eindhoven (NL); **Jurgen Vogt**, Eindhoven (NL)

(73) Assignee: **Koninklijke Philips Electronics N.V.**, Eindhoven (NL)

(**) Term: **14 Years**

(21) Appl. No.: **29/399,437**

(22) Filed: **Aug. 15, 2011**

(30) **Foreign Application Priority Data**

Feb. 15, 2011 (EM) 001821570-0001

(51) **LOC (9) Cl.** **28-03**

(52) **U.S. Cl.** **D24/210**

(58) **Field of Classification Search** D24/210, D24/209, 200, 158, 176, 185, 186; D26/29, D26/37, 39, 41, 104, 87, 145, 92, 85; 606/2-4, 606/16, 131; 607/88-951; 433/29; 601/15, 601/DIG. 5, DIG. 21

See application file for complete search history.

(56) **References Cited**

U.S. PATENT DOCUMENTS

D308,261 S * 5/1990 Shemitz D26/87

D432,700 S * 10/2000 Avila et al. D26/87
D465,050 S * 10/2002 Crelin D26/87
D502,996 S * 3/2005 Guenther D24/200
D545,973 S * 7/2007 Powell et al. D24/209
D585,554 S * 1/2009 Suzuki D24/158
D591,423 S * 4/2009 Diener et al. D24/158
D593,684 S * 6/2009 Kapadya D24/200
D601,257 S * 9/2009 Berlinger et al. D24/186
D618,355 S * 6/2010 Delaey D24/185
D634,878 S * 3/2011 Guercio et al. D26/85
D658,295 S * 4/2012 Geijsen et al. D24/158
D659,840 S * 5/2012 Cheng et al. D24/186

* cited by examiner

Primary Examiner — David Muller

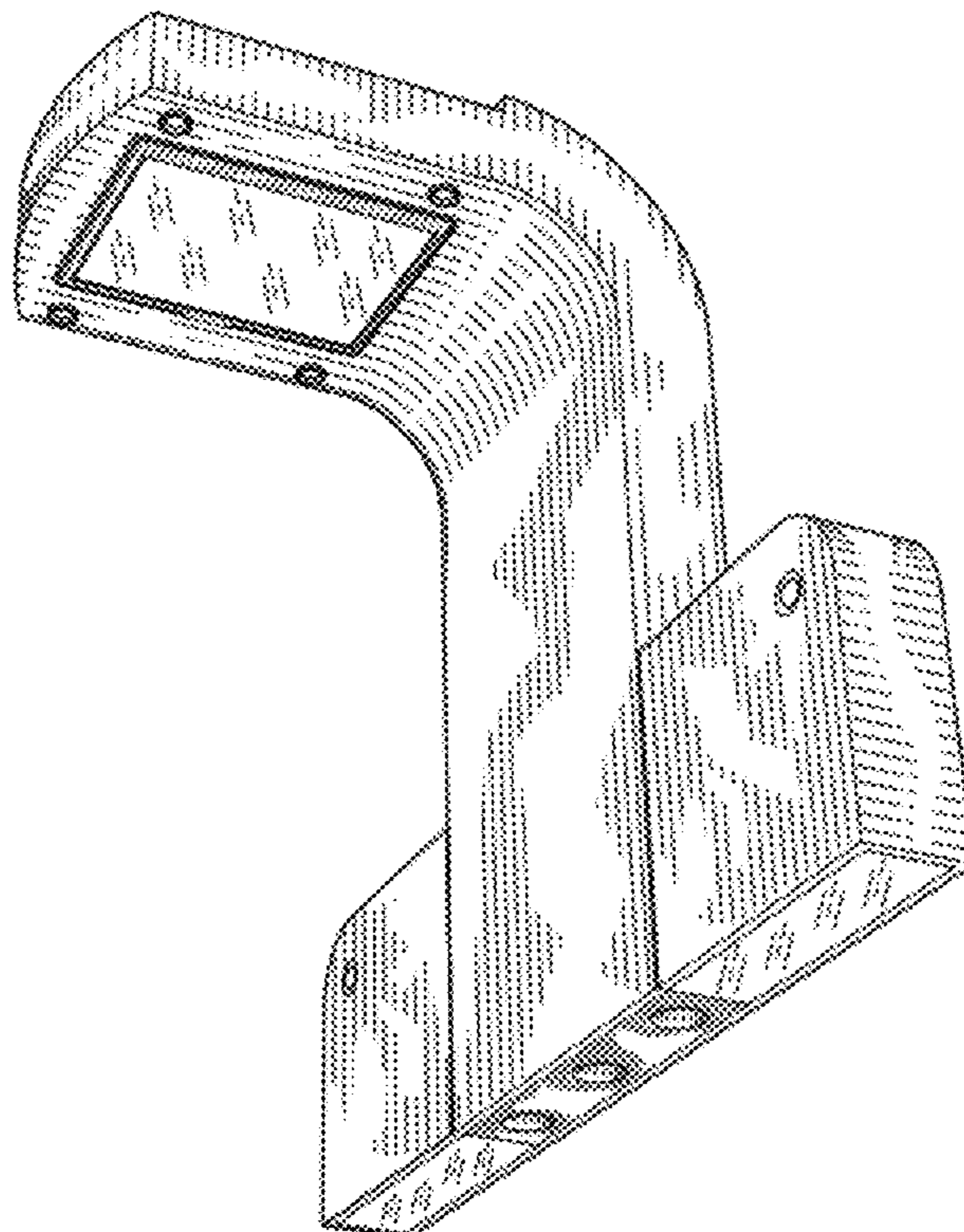
(57) **CLAIM**

The ornamental design for a relaxation apparatus for care environment, as shown.

DESCRIPTION

FIG. 1 is a perspective view showing my design;
FIG. 2 is a front elevational view thereof;
FIG. 3 is a rear elevational view thereof;
FIG. 4 is a right side elevational view thereof;
FIG. 5 is a left side elevational view thereof;
FIG. 6 is a top plan view thereof; and,
FIG. 7 is a bottom plan view thereof.
The broken line showing of parts of the drawings is included for the purpose of illustrating use and environment and forms no part of the claimed design.

1 Claim, 6 Drawing Sheets



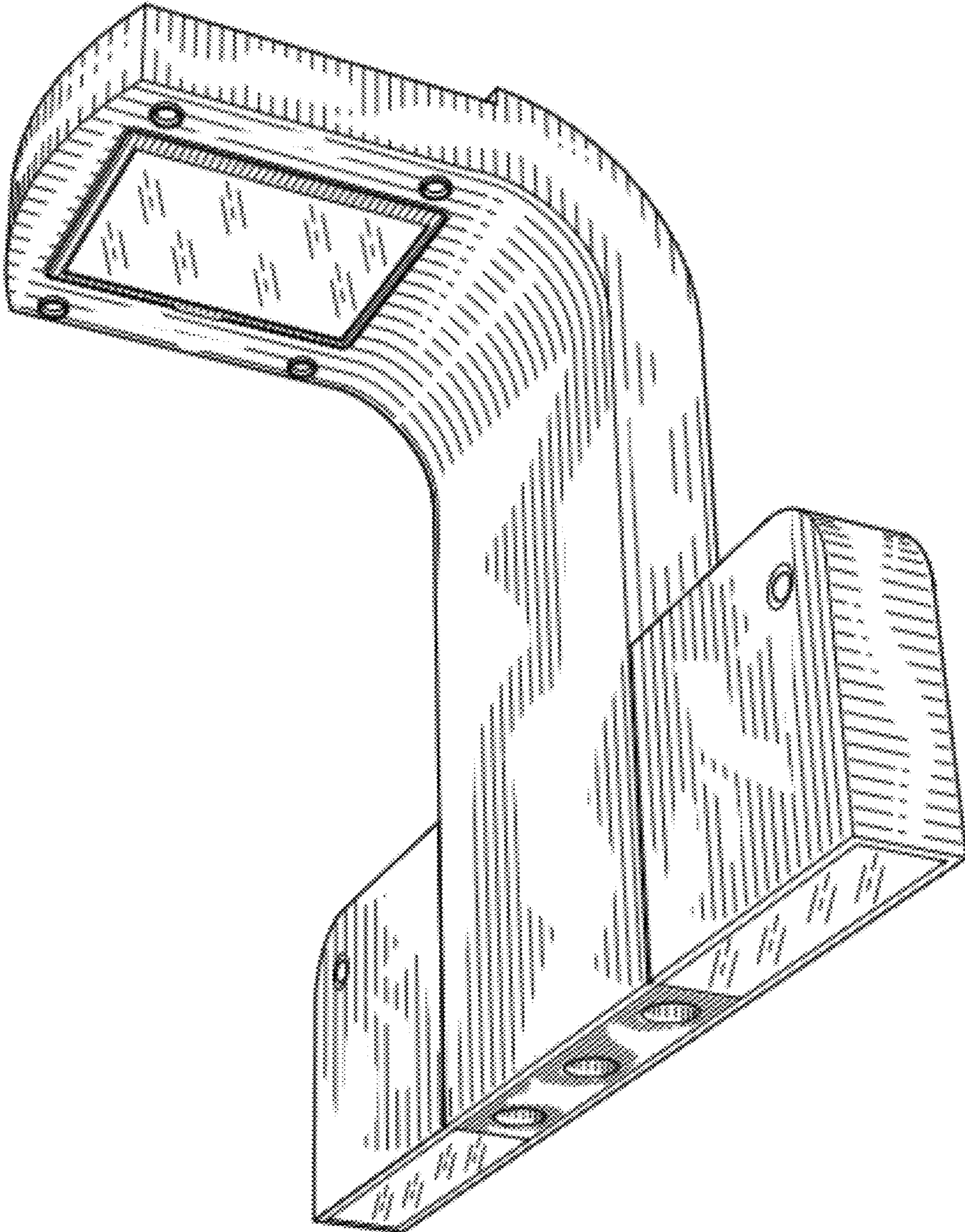


FIG. 1

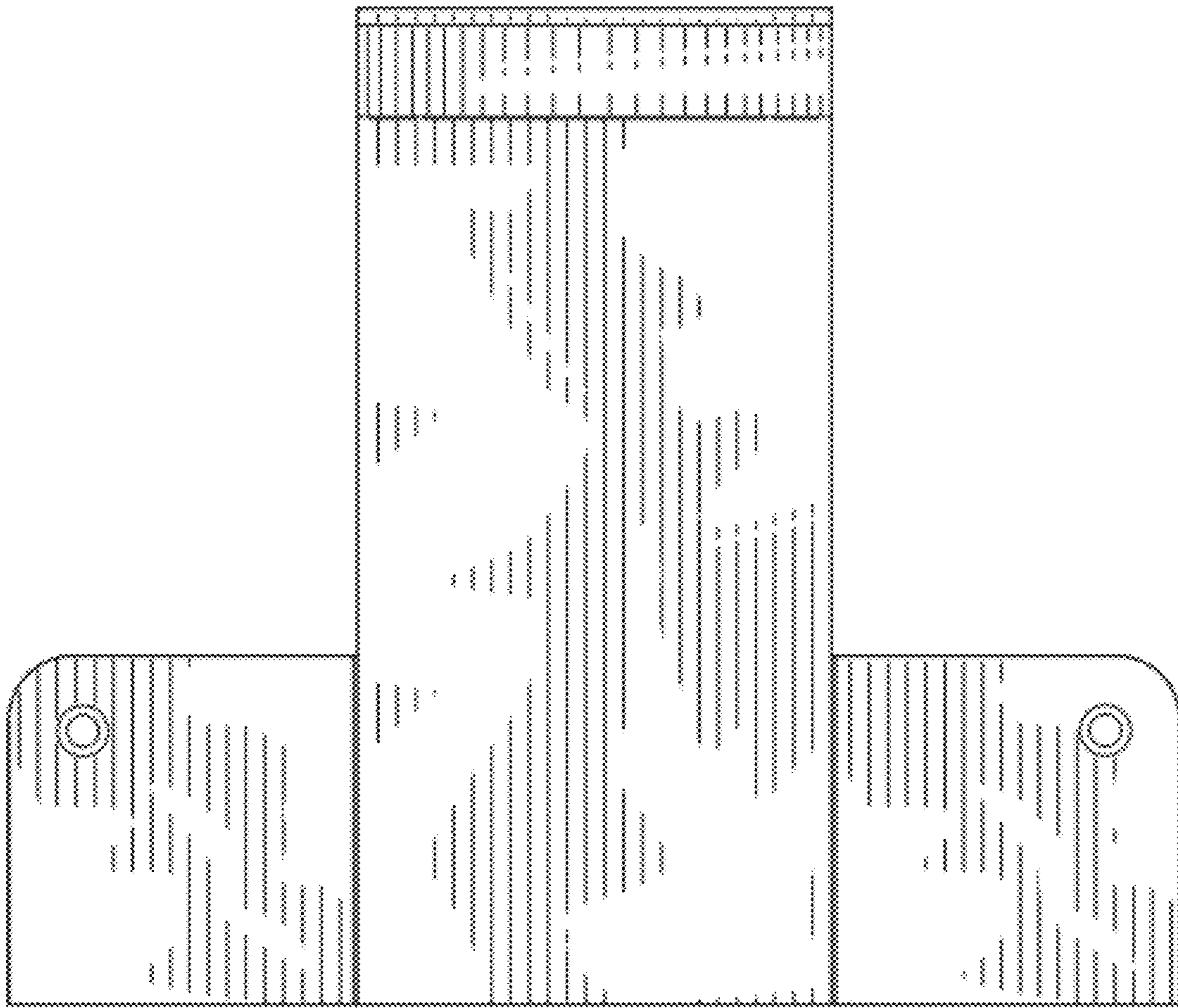


FIG.2

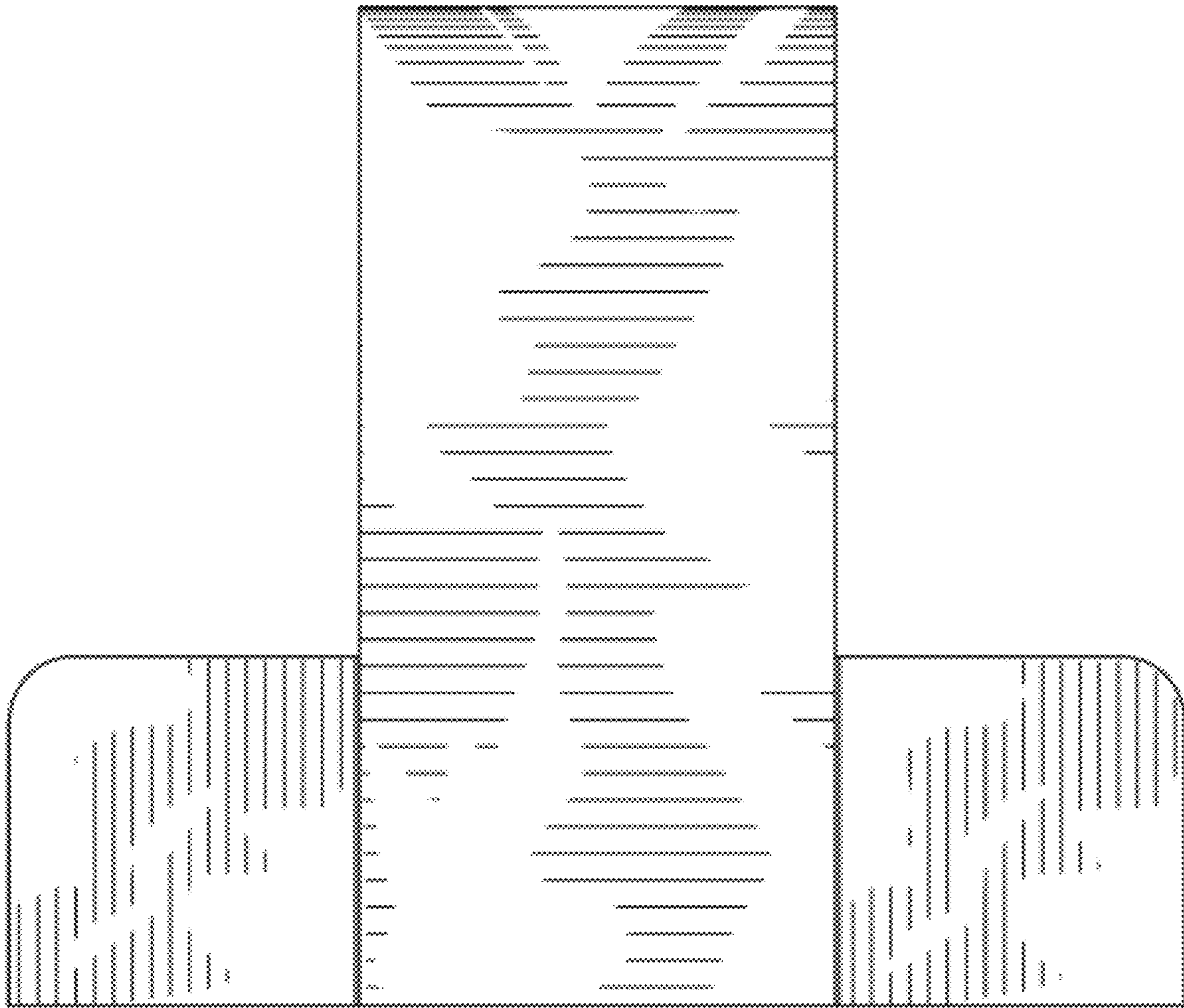


FIG. 3

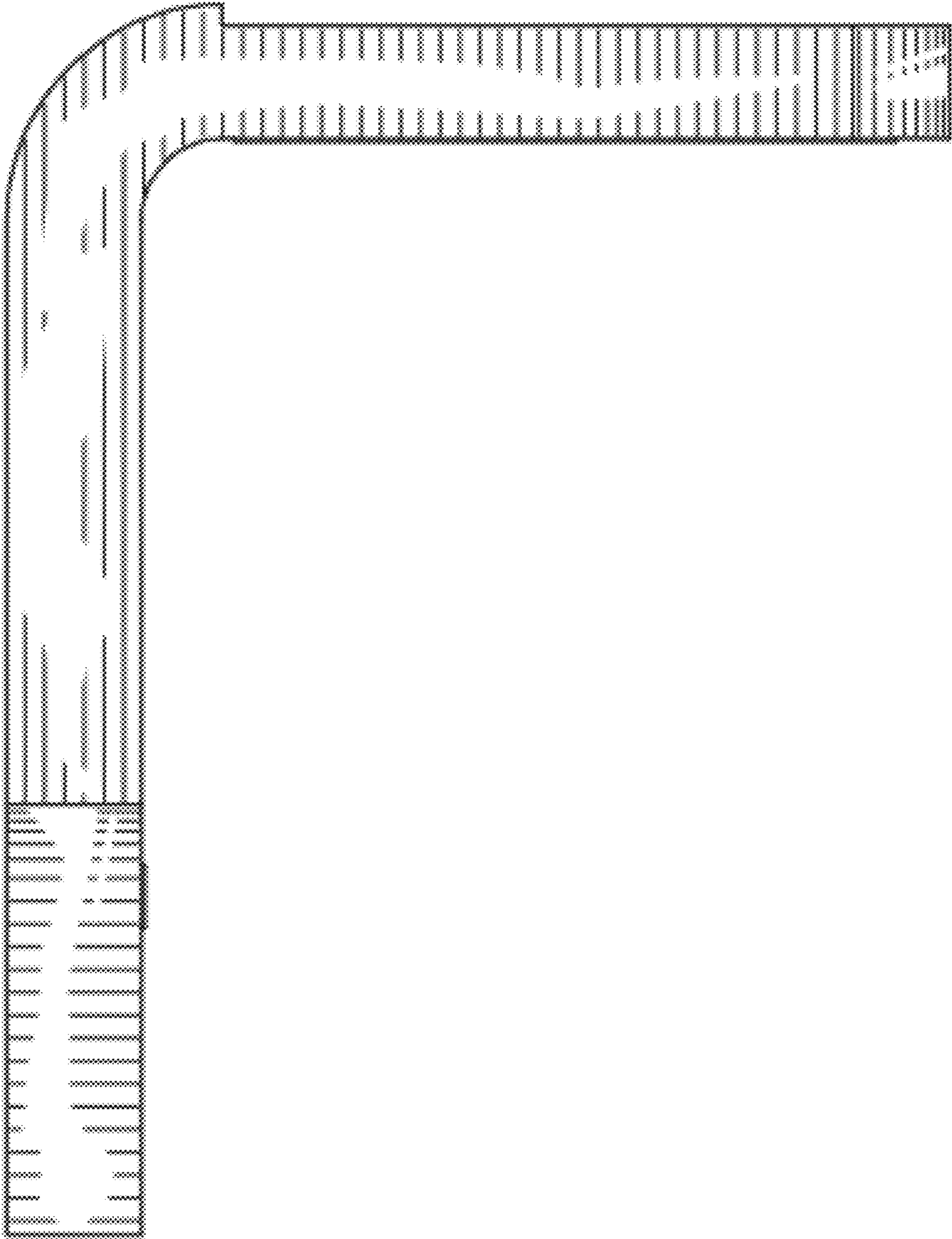


FIG. 4

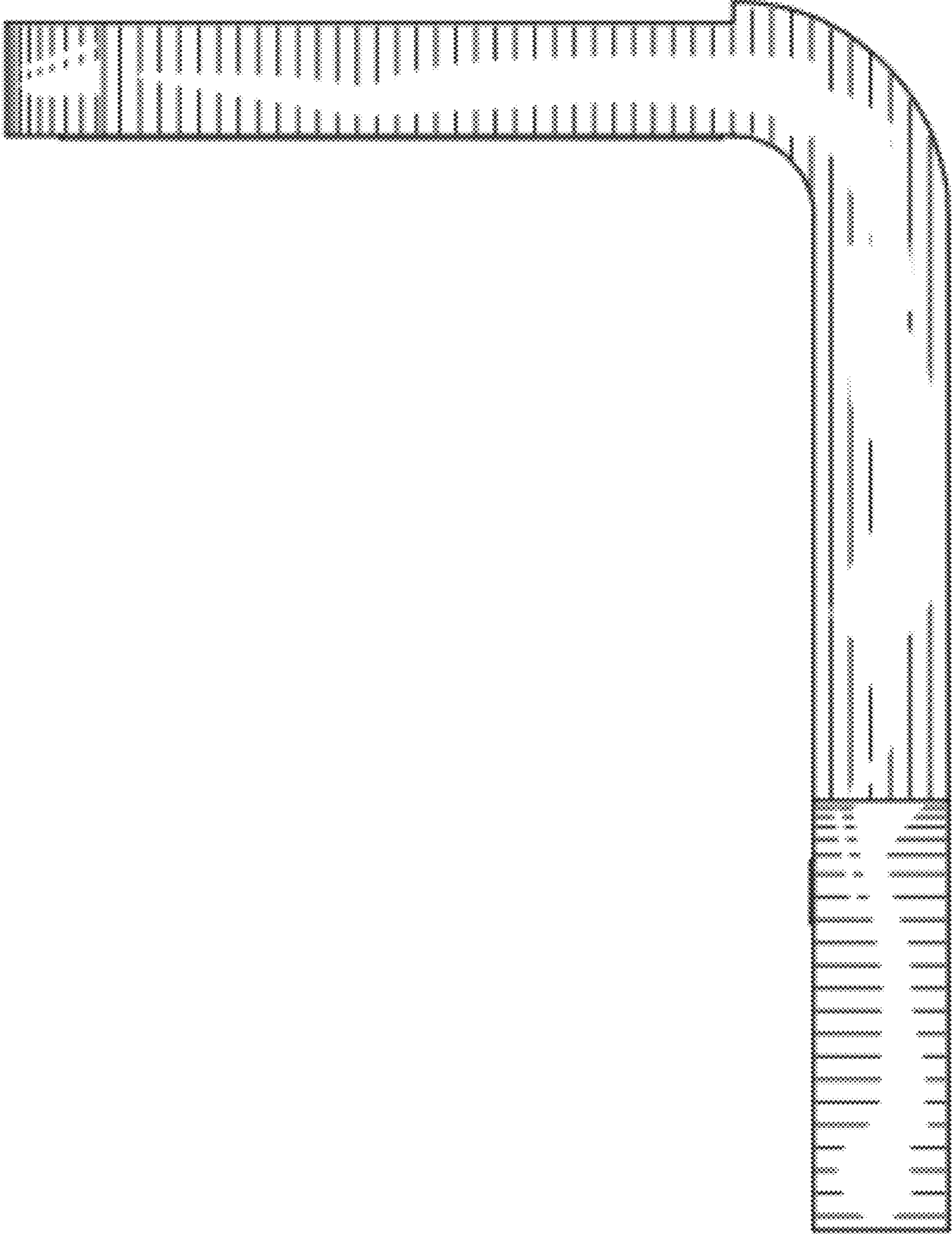


FIG. 5

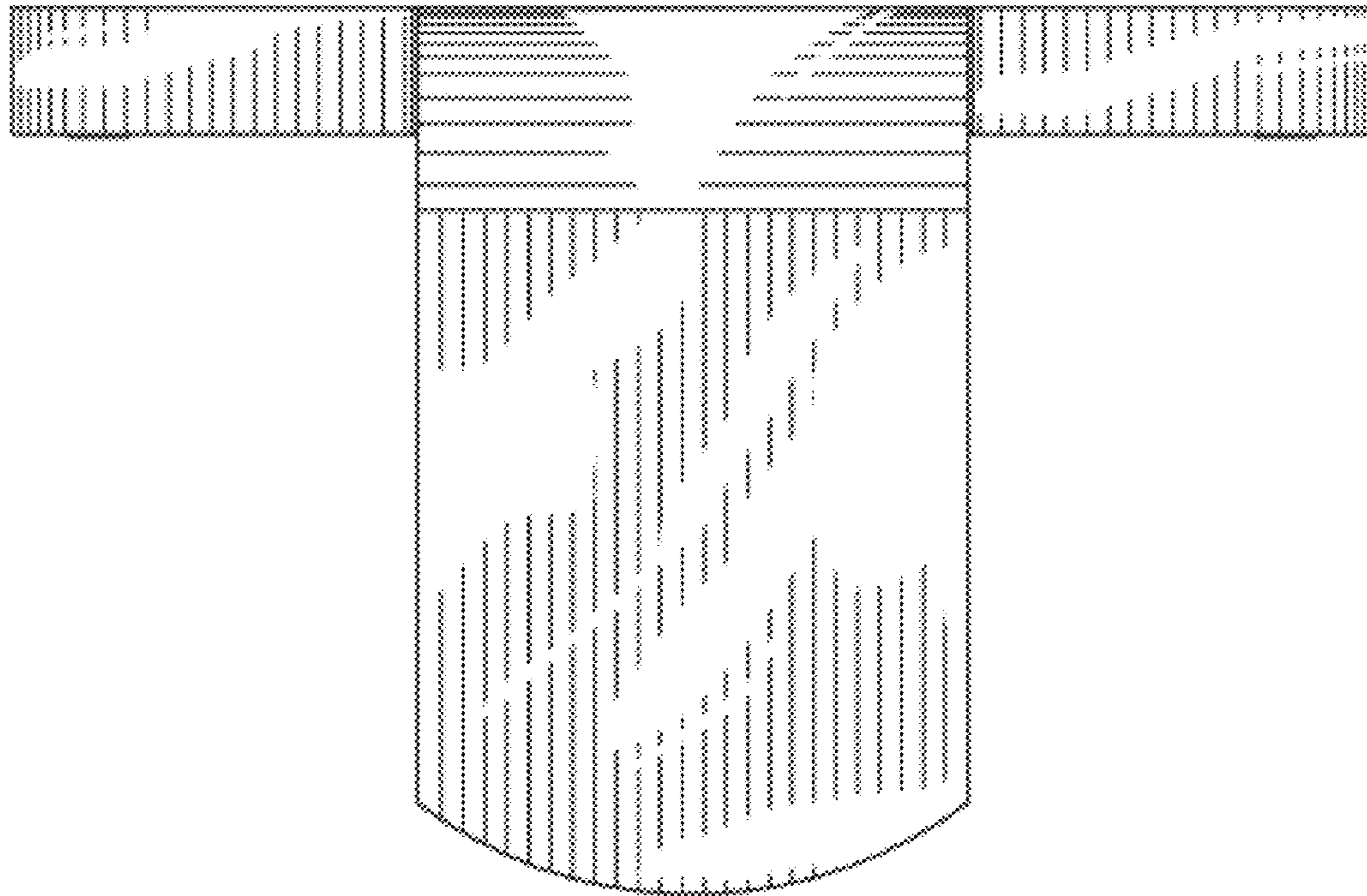


FIG. 6

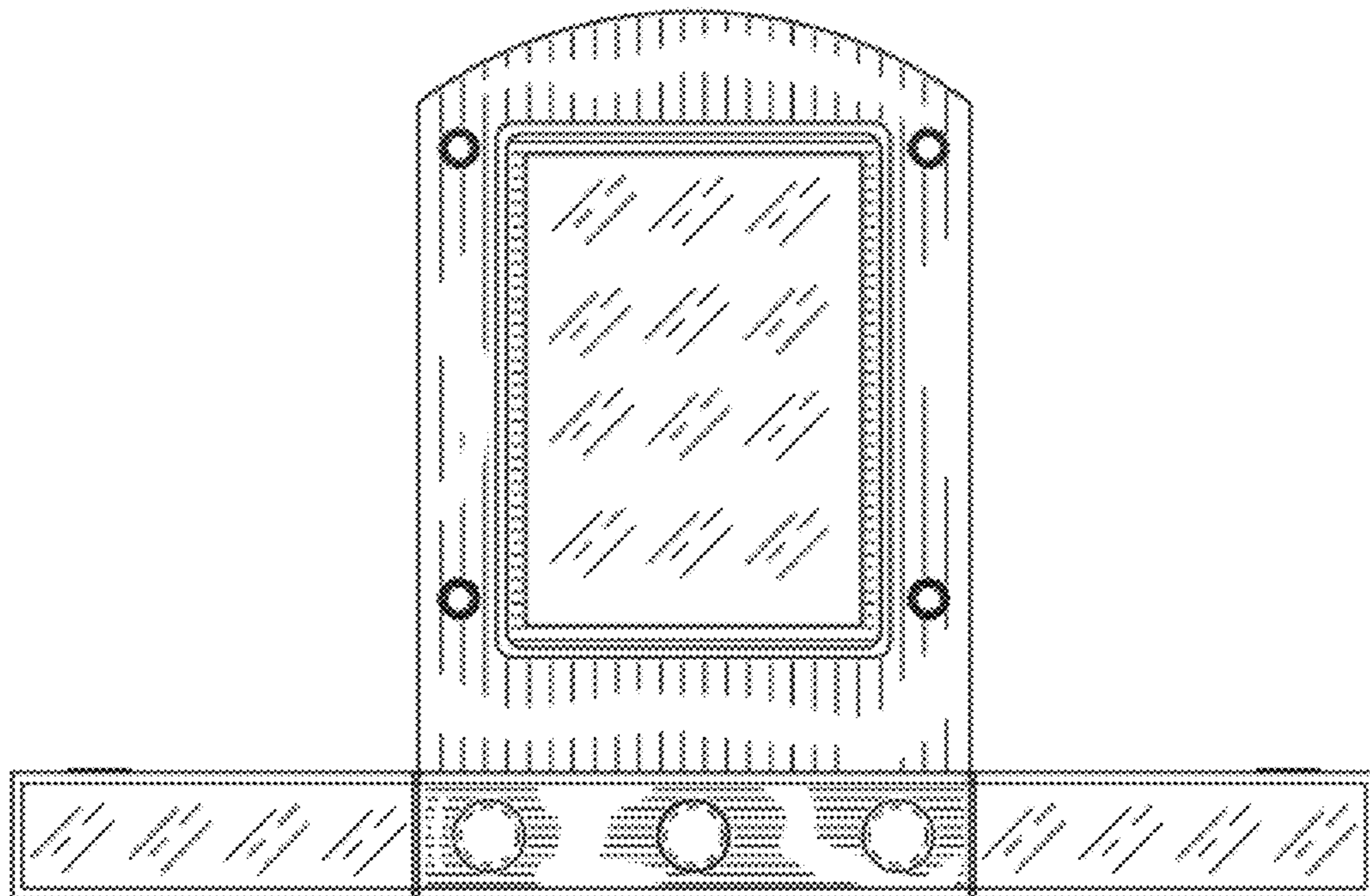


FIG. 7