



US00D672046S

(12) **United States Design Patent**  
**Fuster**

(10) **Patent No.:** **US D672,046 S**

(45) **Date of Patent:** **\*\* Dec. 4, 2012**

(54) **MESSAGE APPARATUS**

(75) Inventor: **Arnaud Fuster**, Beaumont-les-Valence (FR)

(73) Assignee: **LPG Finance Industrie**, Valence (FR)

(\*\*) Term: **14 Years**

(21) Appl. No.: **29/353,773**

(22) Filed: **Jan. 14, 2010**

(30) **Foreign Application Priority Data**

Jul. 16, 2009 (EM) ..... 1584525-0001

(51) **LOC (9) Cl.** ..... **28-03**

(52) **U.S. Cl.** ..... **D24/200**

(58) **Field of Classification Search** ..... D24/200,  
D24/133, 144, 170, 185, 186, 215, 214, 209,  
D24/206, 158, 176; 606/2, 32, 89, 9, 41;  
607/2, 96, 98, 99, 108, 115, 145, 148, 149,  
607/150; 601/1, 15-22, 72, 73, 123

See application file for complete search history.

(56) **References Cited**

**U.S. PATENT DOCUMENTS**

D404,496 S \* 1/1999 Tudico ..... D24/215  
D438,309 S \* 2/2001 Young ..... D24/215

D438,973 S \* 3/2001 Tudico ..... D24/200  
D480,810 S \* 10/2003 Gumisawa ..... D24/158  
D529,611 S \* 10/2006 Gumisawa et al. .... D24/158  
D560,807 S \* 1/2008 Kitayama et al. .... D24/158  
D585,991 S \* 2/2009 Helgeson et al. .... D24/176  
D586,921 S \* 2/2009 Zimmer ..... D24/206  
D609,342 S \* 2/2010 Chen ..... D24/158  
D626,236 S \* 10/2010 Ninomiya et al. .... D24/185  
D630,752 S \* 1/2011 Suzuki ..... D24/158  
7,862,564 B2 \* 1/2011 Goble ..... 606/41  
D639,948 S \* 6/2011 Personelli ..... D24/158

\* cited by examiner

*Primary Examiner* — David Muller

(74) *Attorney, Agent, or Firm* — Burr & Brown

(57) **CLAIM**

The ornamental design for a massage apparatus, as shown and described.

**DESCRIPTION**

FIG. 1 is perspective view of a massage apparatus illustrating my new design;

FIG. 2 a right side view thereof;

FIG. 3 is a left side view thereof;

FIG. 4 is a front view thereof;

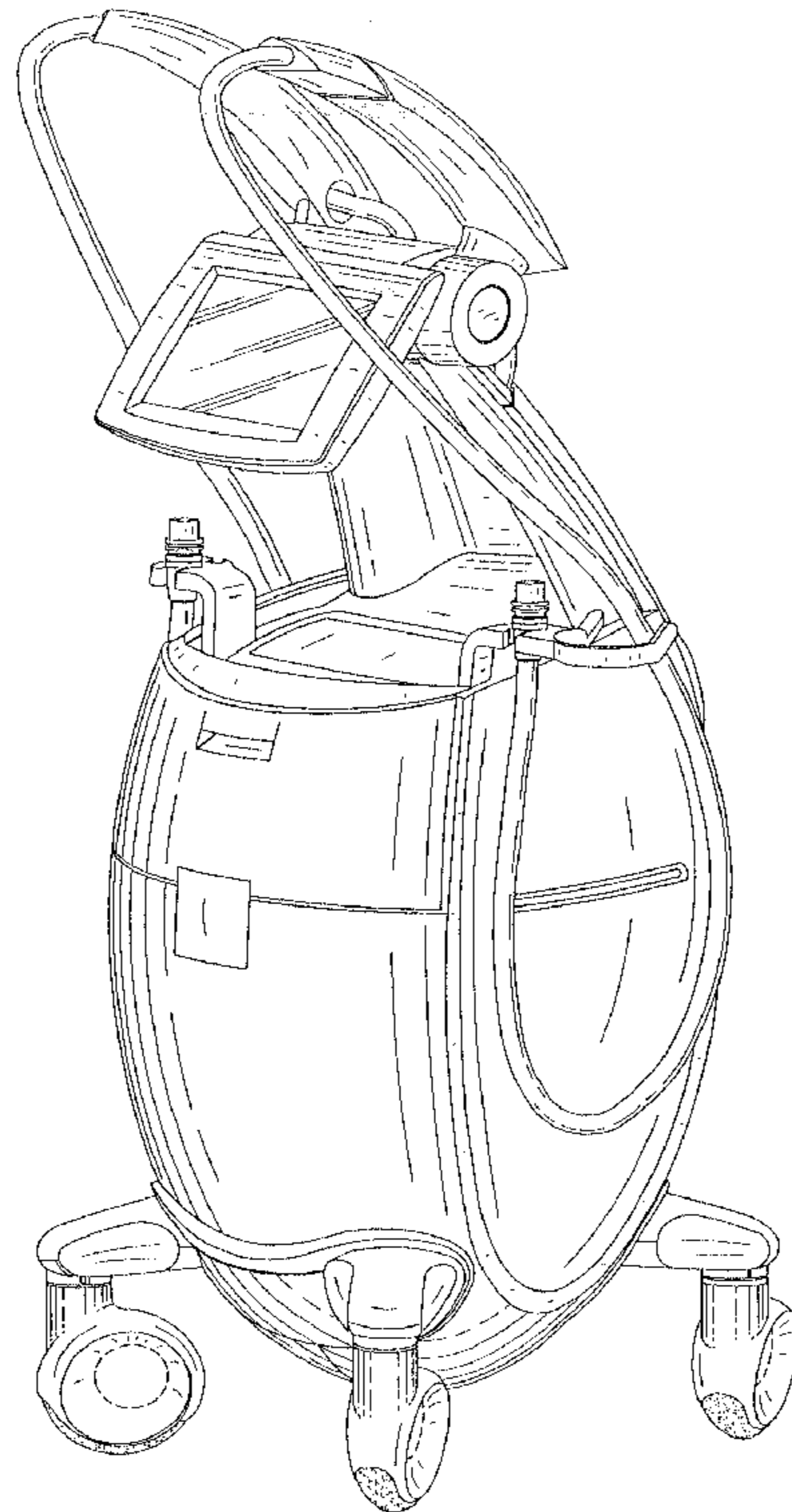
FIG. 5 is a rear view thereof;

FIG. 6 is a top view thereof; and,

FIG. 7 is a bottom view thereof.

The broken lines are shown for illustrative purposes only and form no part of the claimed design.

**1 Claim, 6 Drawing Sheets**



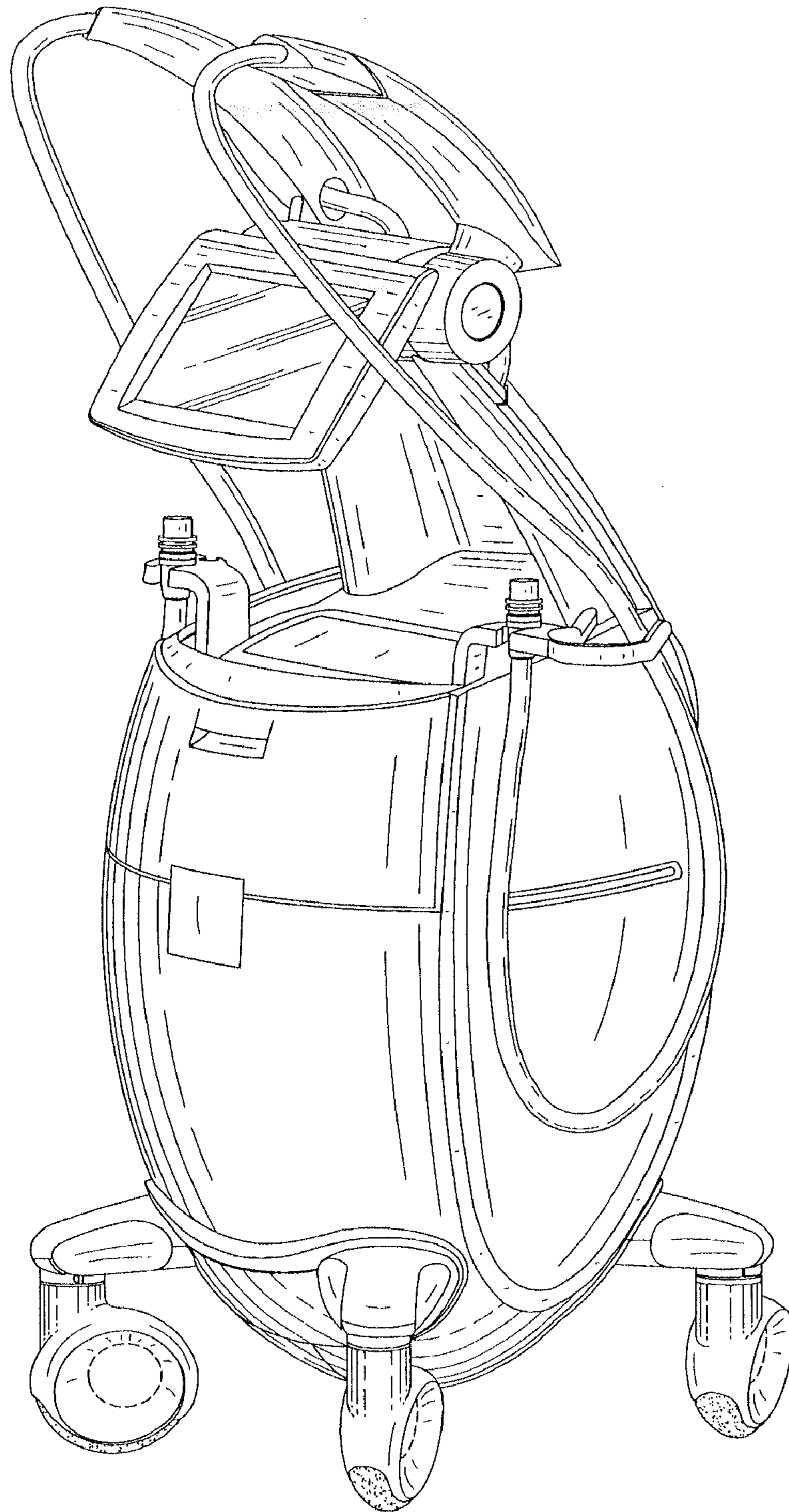


FIG. 1

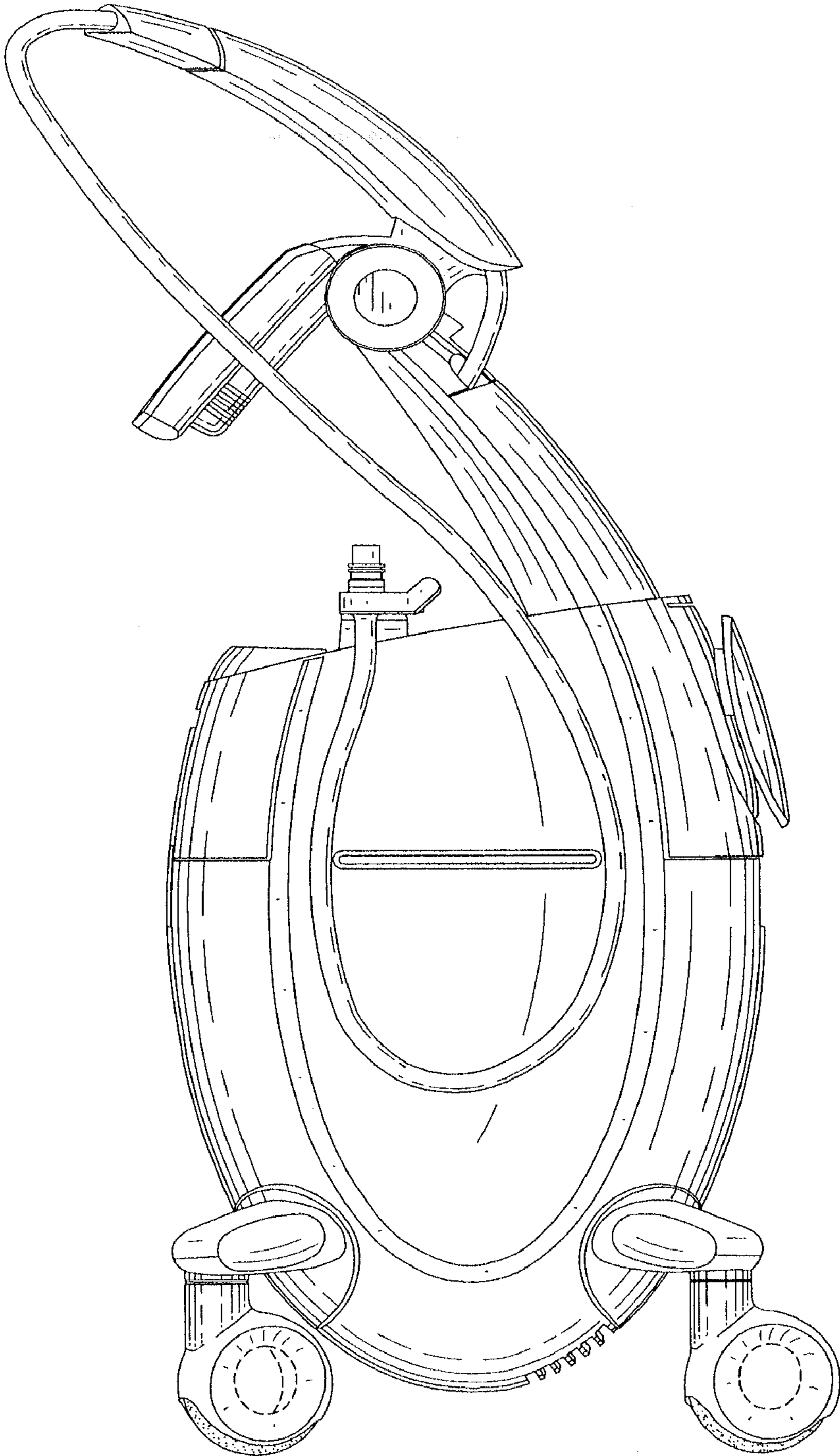


FIG. 2

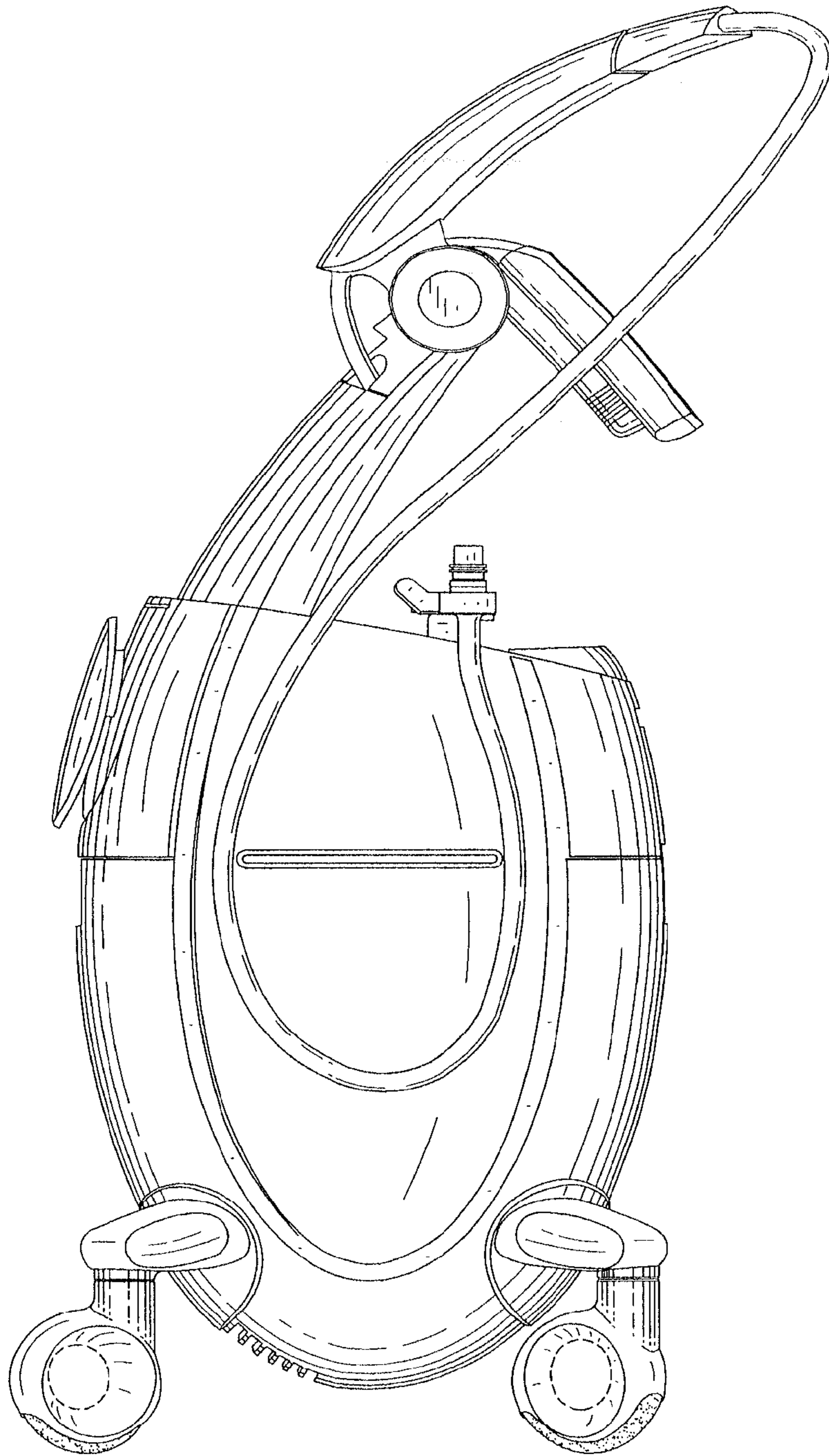


FIG. 3

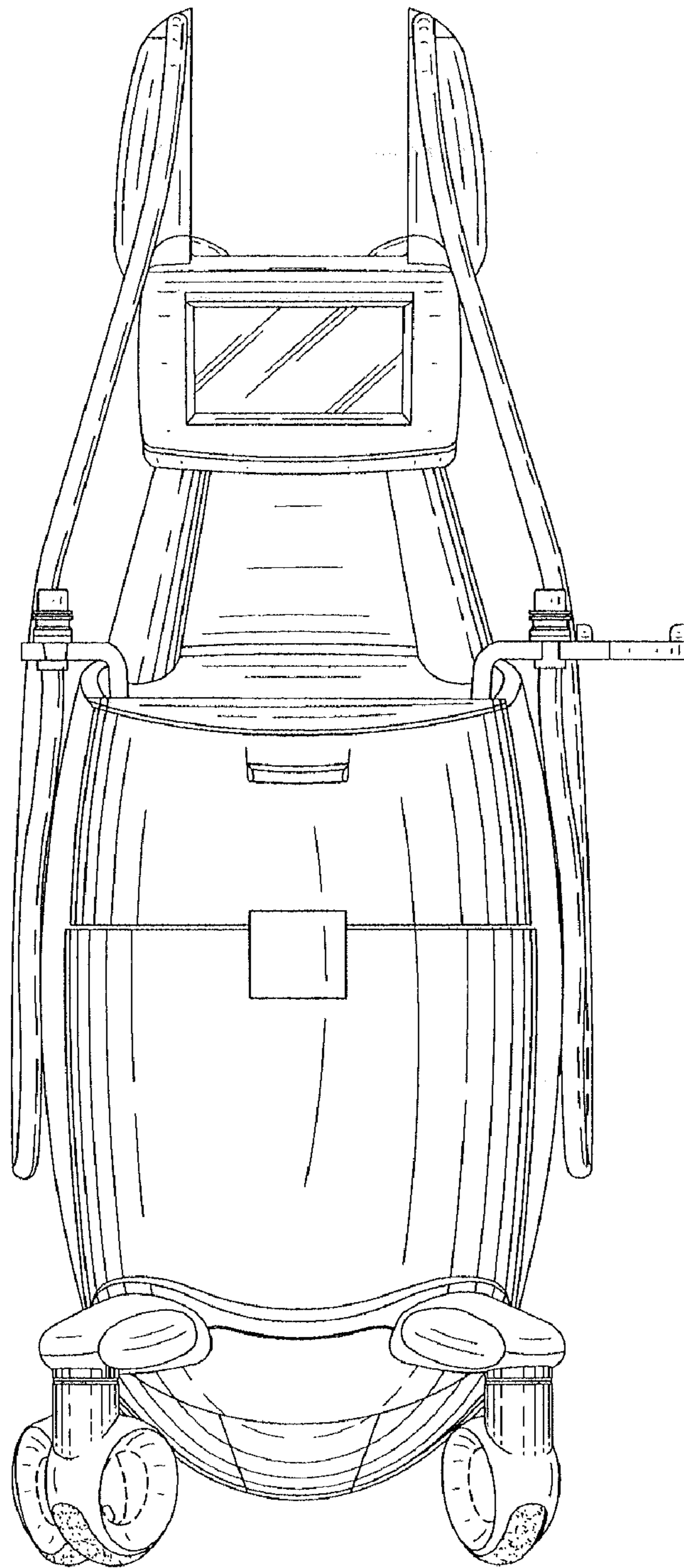


FIG. 4

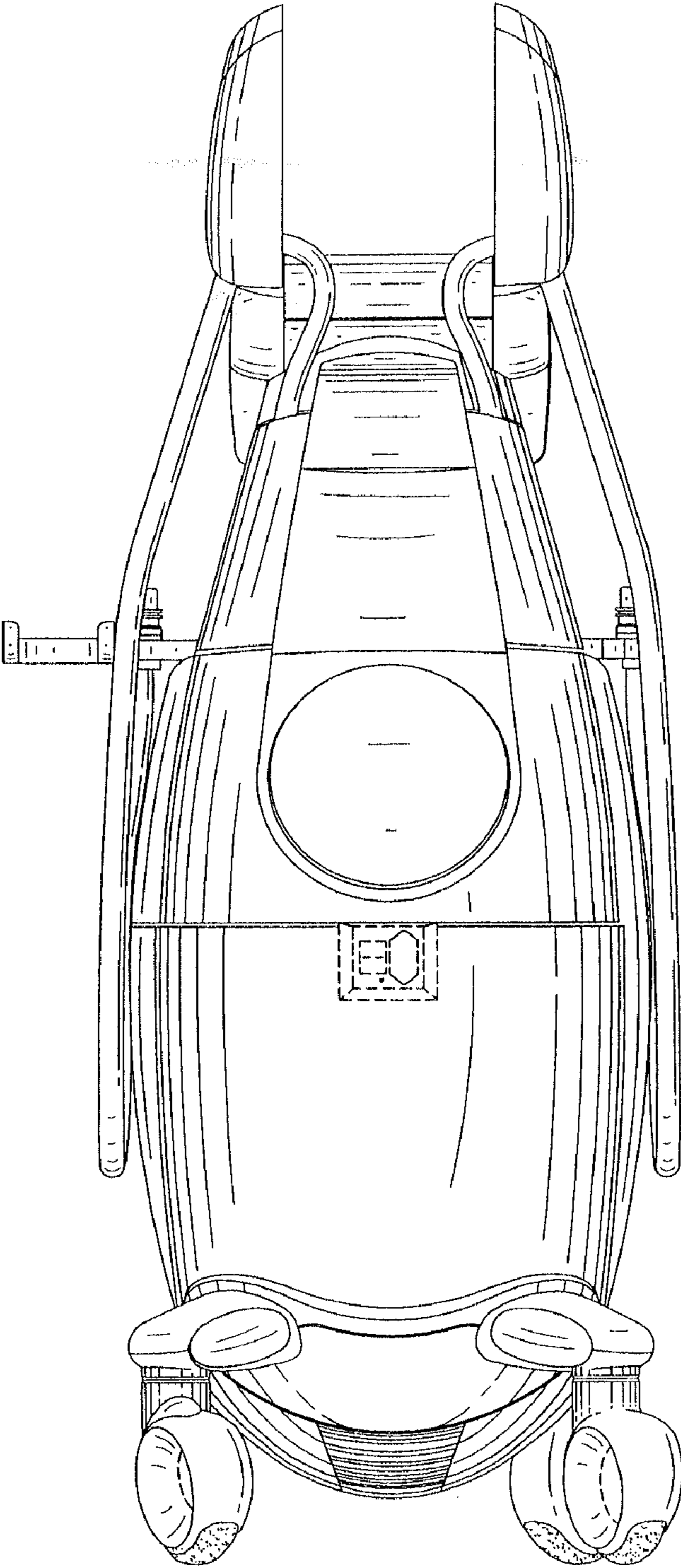


FIG. 5

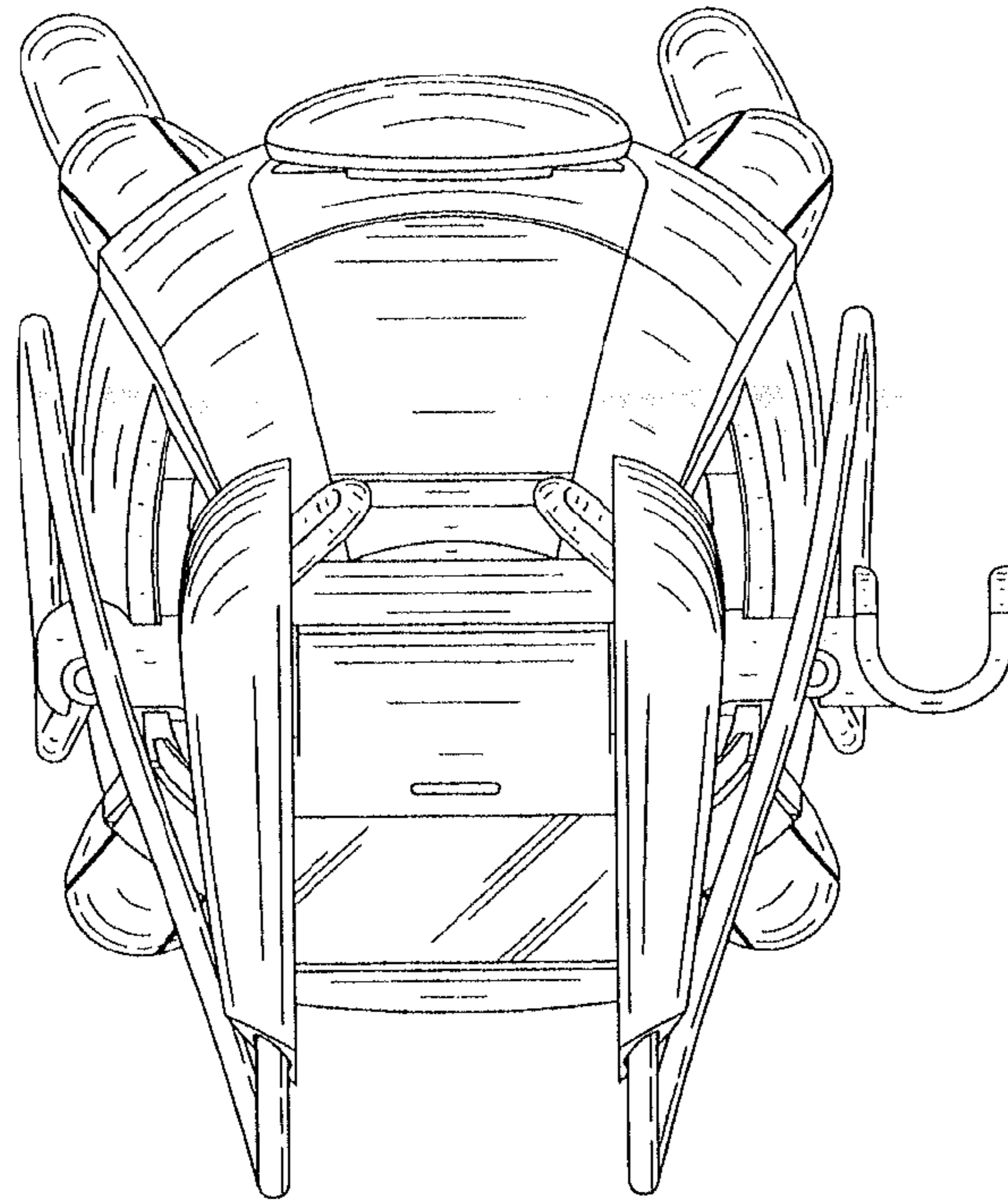


FIG. 6

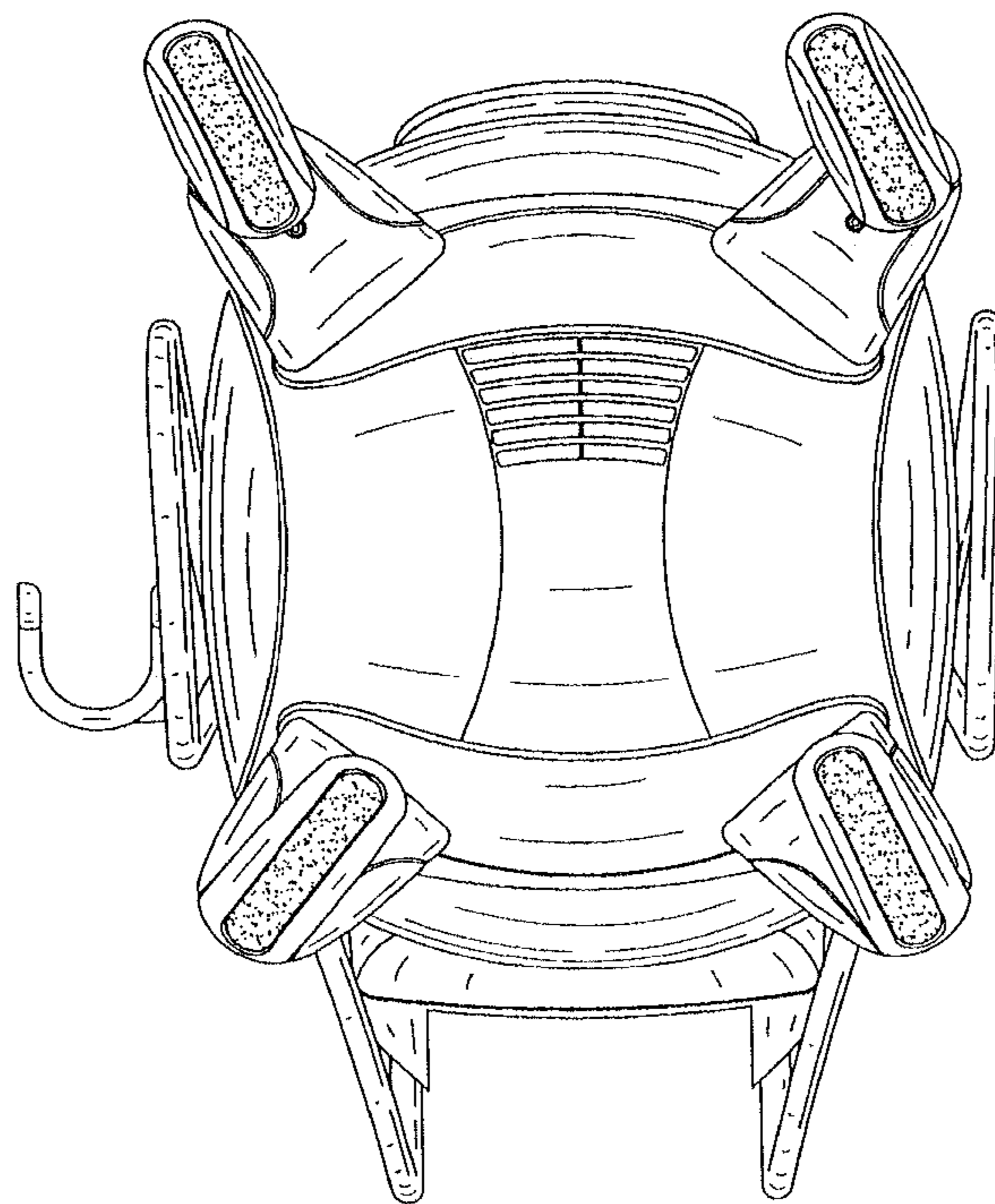


FIG. 7