

US00D672044S

(12) **United States Design Patent**  
**Larsen**

(10) **Patent No.:** **US D672,044 S**  
(45) **Date of Patent:** **\*\* Dec. 4, 2012**

(54) **HEARING AID PART**

(75) Inventor: **Tina Ahlberg Larsen**, Birkerød (DK)

(73) Assignee: **Widex A/S**, Lyngø (DK)

(\*\*) Term: **14 Years**

(21) Appl. No.: **29/386,150**

(22) Filed: **Feb. 25, 2011**

(30) **Foreign Application Priority Data**

Aug. 26, 2010 (EM) ..... 001747494

(51) **LOC (9) Cl.** ..... **24-99**

(52) **U.S. Cl.** ..... **D24/174**

(58) **Field of Classification Search** ..... D24/173-175,  
D24/151; D14/205, 223, 224, 249, 206,  
D14/225, 226; 381/23.1, 312, 322-324,  
381/328, 330, 380, 381; 181/135

See application file for complete search history.

(56) **References Cited**

**U.S. PATENT DOCUMENTS**

D294,862	S *	3/1988	Diefenbach	.....	D24/174
D307,181	S *	4/1990	Erfan	.....	D24/173
D417,279	S *	11/1999	Dupont	.....	D24/174
7,221,769	B1 *	5/2007	Jorgensen	.....	381/328
D634,434	S *	3/2011	Pukall et al.	.....	D24/174
D635,559	S *	4/2011	Rye et al.	.....	D14/223

D645,458	S *	9/2011	Silvestri et al.	.....	D14/223
D647,514	S *	10/2011	Wikel et al.	.....	D14/223
D655,693	S *	3/2012	Silvestri et al.	.....	D14/223
2006/0215864	A1 *	9/2006	Espersen et al.	.....	381/330
2008/0025539	A1 *	1/2008	Bailey et al.	.....	381/322
2010/0150356	A1 *	6/2010	Uzuonis et al.	.....	381/23.1
2011/0075871	A1 *	3/2011	Fretz et al.	.....	381/321

\* cited by examiner

*Primary Examiner* — Anhdao Doan

(74) *Attorney, Agent, or Firm* — Sughrue Mion, PLLC

(57) **CLAIM**

The ornamental design for a hearing aid part, as shown and described.

**DESCRIPTION**

This application is related to concurrently filed applications entitled "Hearing Aid Part" U.S. Design application Ser. No. 29/386,150, and U.S. Design application Ser. No. 29/386,156.

FIG. 1 is a bottom view of a hearing aid part showing my new design;

FIG. 2 is a rear view thereof;

FIG. 3 is a right side view thereof;

FIG. 4 is a front view thereof;

FIG. 5 is a left side view thereof;

FIG. 6 is a top view thereof; and,

FIG. 7 is a perspective view thereof.

**1 Claim, 7 Drawing Sheets**

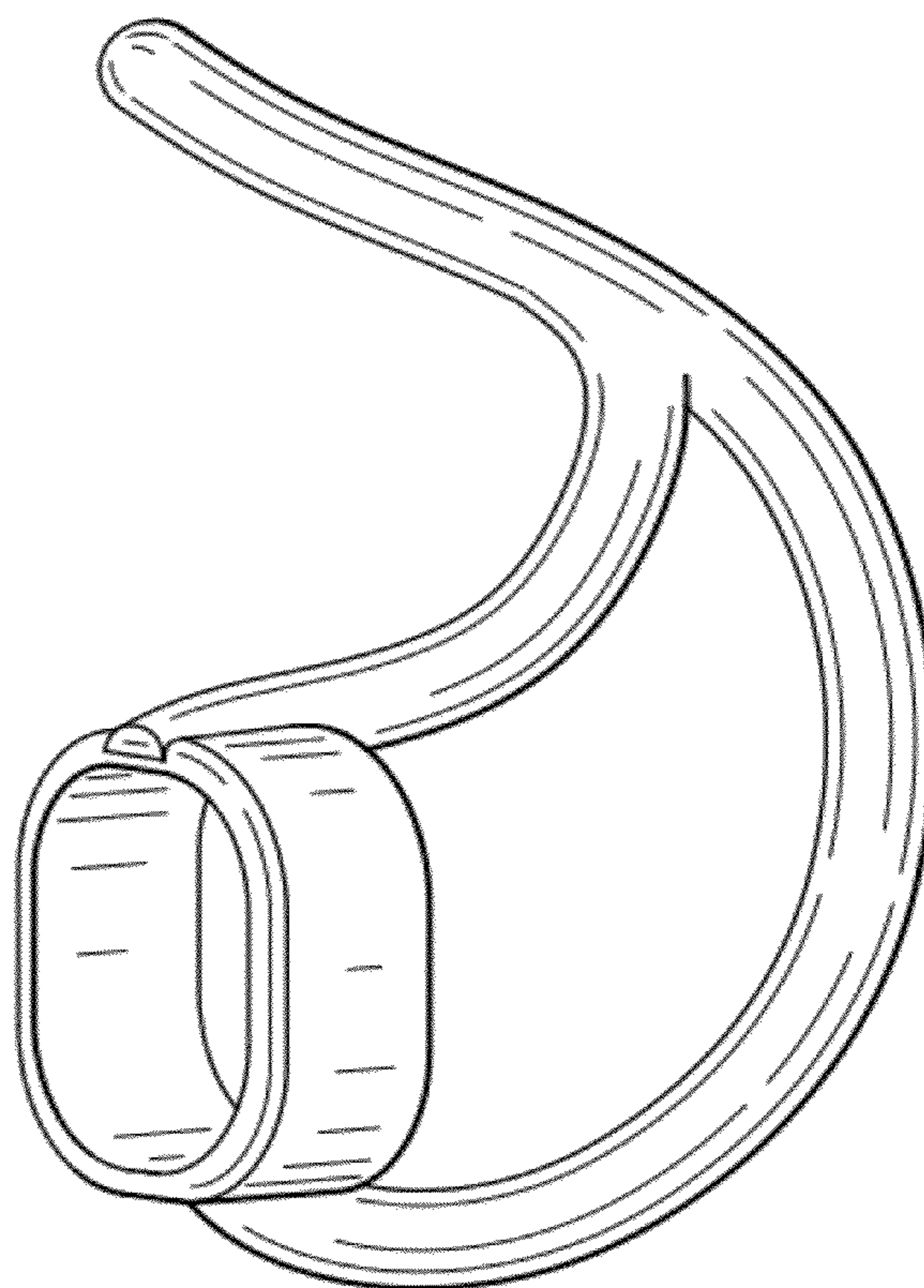
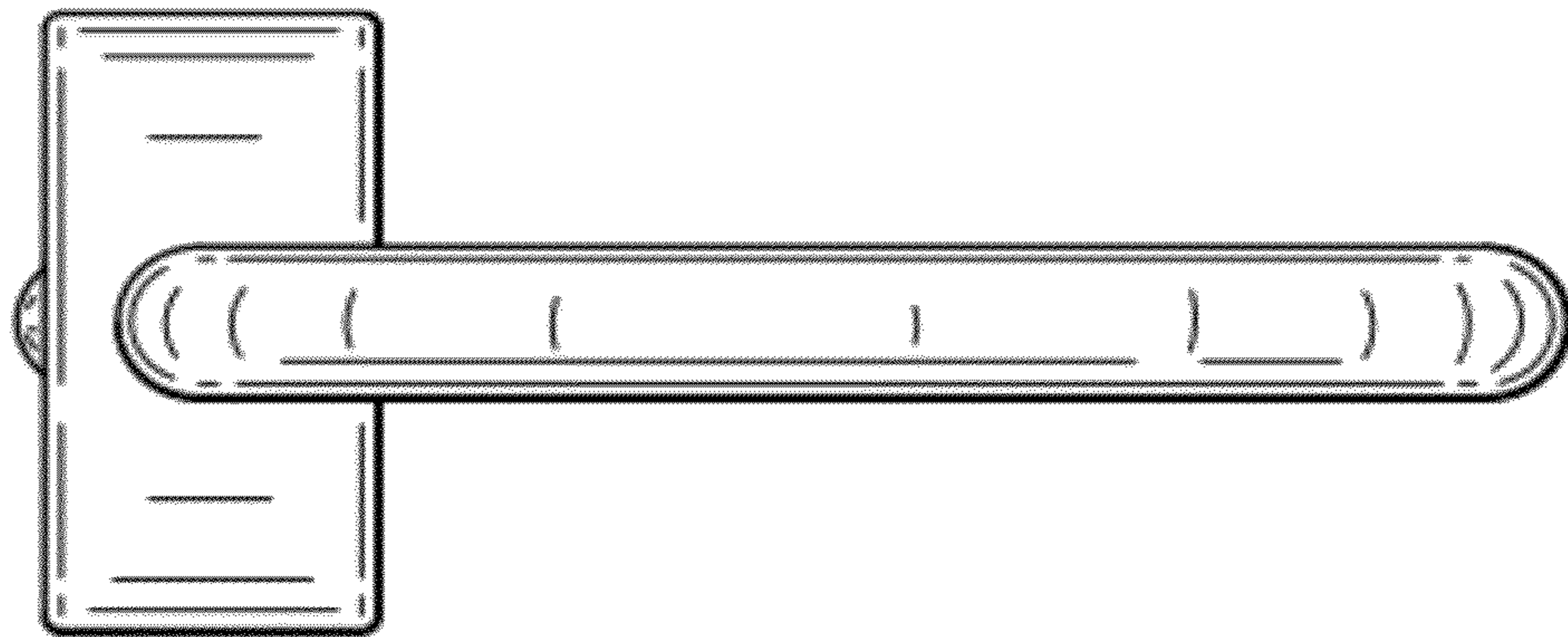
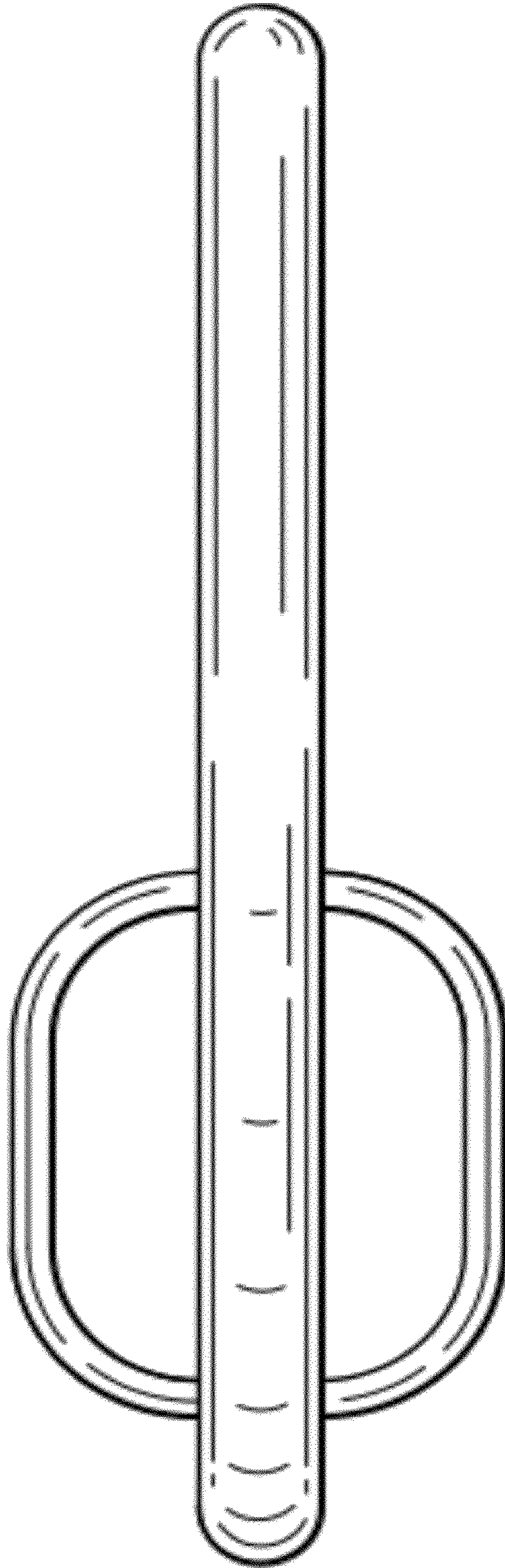


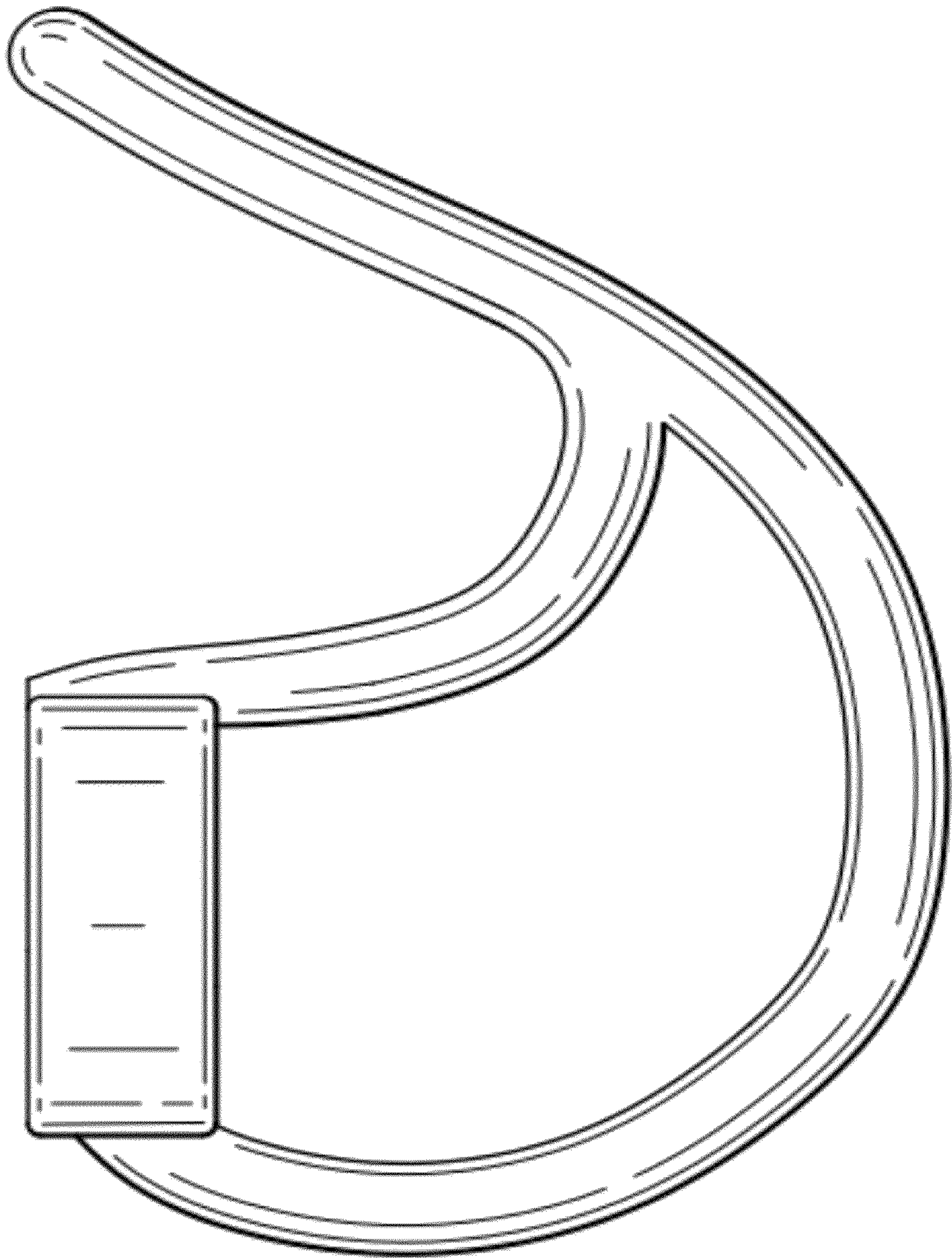
FIG. 1



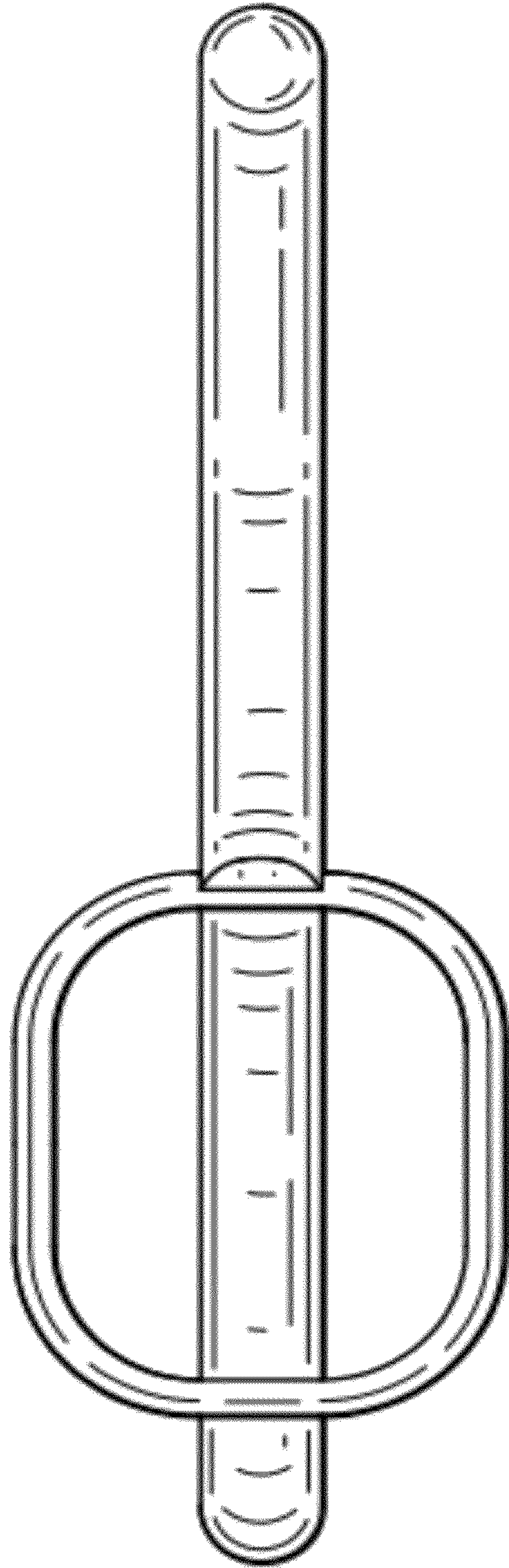
# FIG. 2



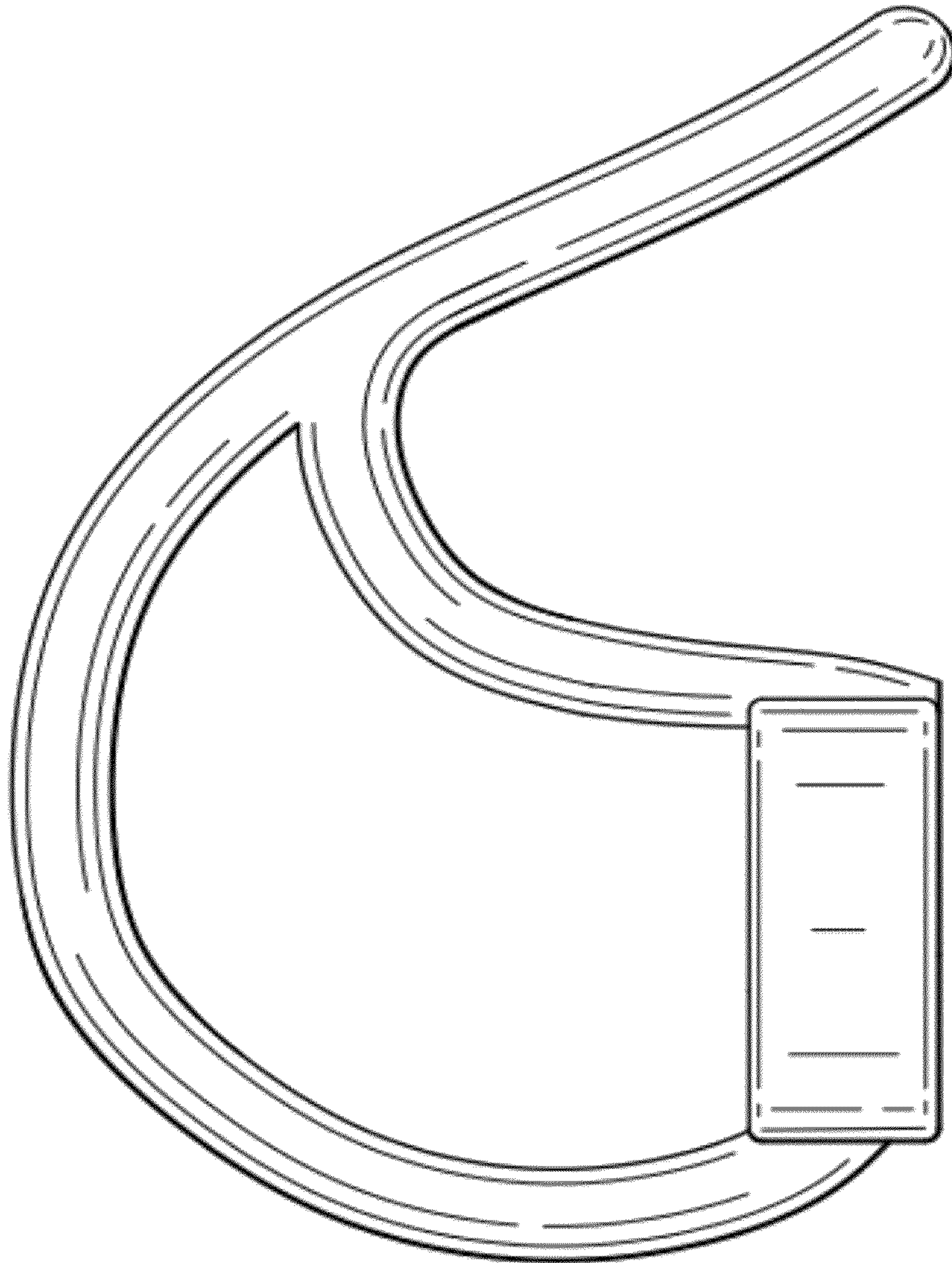
**FIG. 3**



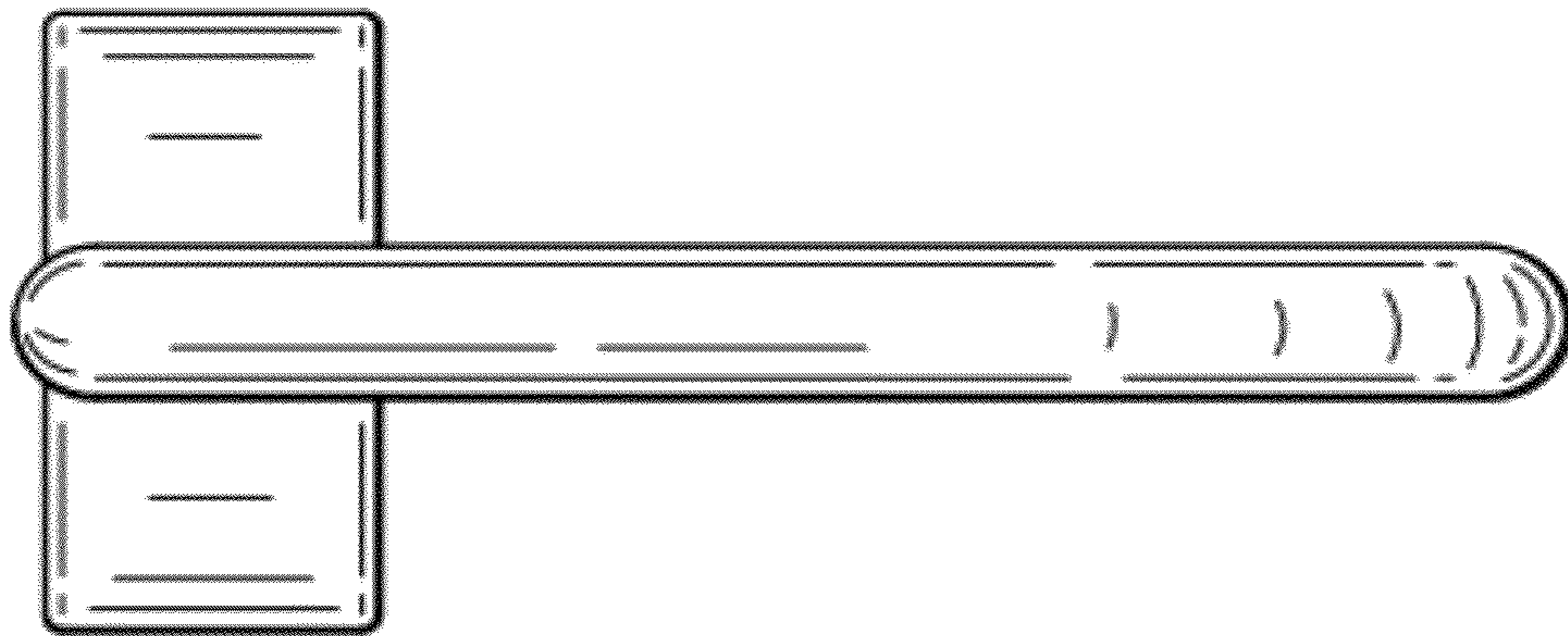
**FIG. 4**



**FIG. 5**



**FIG. 6**



**FIG. 7**

