



US00D672043S

(12) **United States Design Patent**
Larsen

(10) **Patent No.:** **US D672,043 S**
(45) **Date of Patent:** **** Dec. 4, 2012**

(54) **HEARING AID PART**

(75) Inventor: **Tina Ahlberg Larsen**, Birkerød (DK)

(73) Assignee: **Widex A/S**, Lyngø (DK)

(**) Term: **14 Years**

(21) Appl. No.: **29/386,146**

(22) Filed: **Feb. 25, 2011**

(30) **Foreign Application Priority Data**

Aug. 26, 2010 (EM) 001747494

(51) **LOC (9) Cl.** **24-99**

(52) **U.S. Cl.** **D24/174**

(58) **Field of Classification Search** D24/173-175,
D24/151; D14/205, 223, 224, 249, 206,
D14/225, 226; 381/23.1, 312, 322-324,
381/328, 330, 380, 381; 181/135

See application file for complete search history.

(56) **References Cited**

U.S. PATENT DOCUMENTS

D294,862 S *	3/1988	Diefenbach	D24/174
D307,181 S *	4/1990	Erfan	D24/173
D417,279 S *	11/1999	Dupont	D24/174
7,221,769 B1 *	5/2007	Jorgensen	381/328
D634,434 S *	3/2011	Pukall et al.	D24/174
D635,559 S *	4/2011	Rye et al.	D14/223

D645,458 S *	9/2011	Silvestri et al.	D14/223
D647,514 S *	10/2011	Wikel et al.	D14/223
D655,693 S *	3/2012	Silvestri et al.	D14/223
2006/0215864 A1 *	9/2006	Espersen et al.	381/330
2008/0025539 A1 *	1/2008	Bailey et al.	381/322
2010/0150356 A1 *	6/2010	Uzuanis et al.	381/23.1
2011/0075871 A1 *	3/2011	Fretz et al.	381/321

* cited by examiner

Primary Examiner — Anhdao Doan

(74) *Attorney, Agent, or Firm* — Sughrue Mion, PLLC

(57) **CLAIM**

The ornamental design for a hearing aid part, as shown and described.

DESCRIPTION

This application is related to concurrently filed applications entitled "Hearing Aid Part" and identified by (U.S. Ser. No. 29,386,150,) (U.S. Ser. No. 29/386,154) and (U.S. Ser. No. 29/386,156.

FIG. 1 is a bottom view of a hearing aid part showing my new design;

FIG. 2 is a rear view thereof;

FIG. 3 is a right side view thereof;

FIG. 4 is a front view thereof;

FIG. 5 is a left side view thereof;

FIG. 6 is a top view thereof; and,

FIG. 7 is a perspective view thereof.

1 Claim, 7 Drawing Sheets

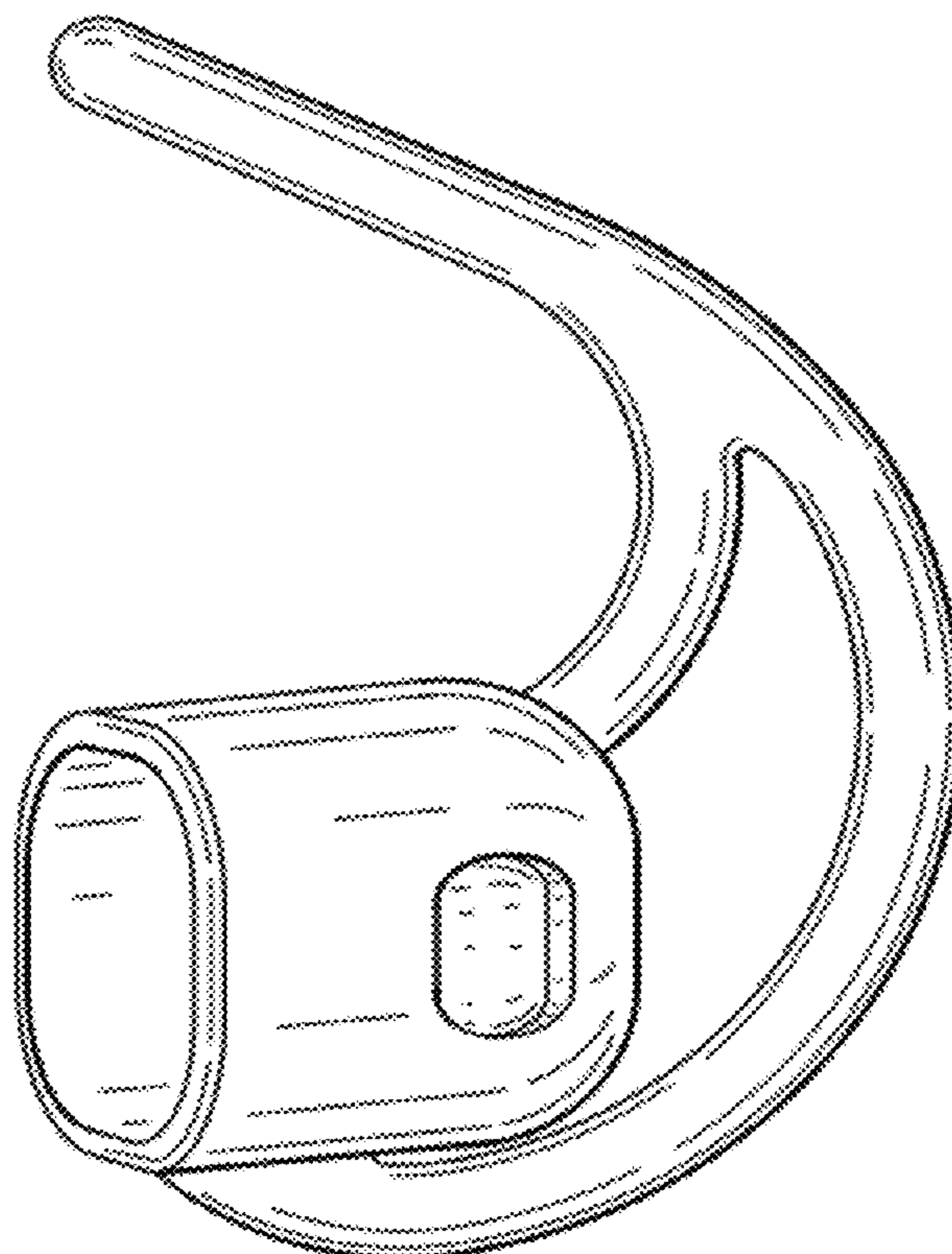


FIG. 1

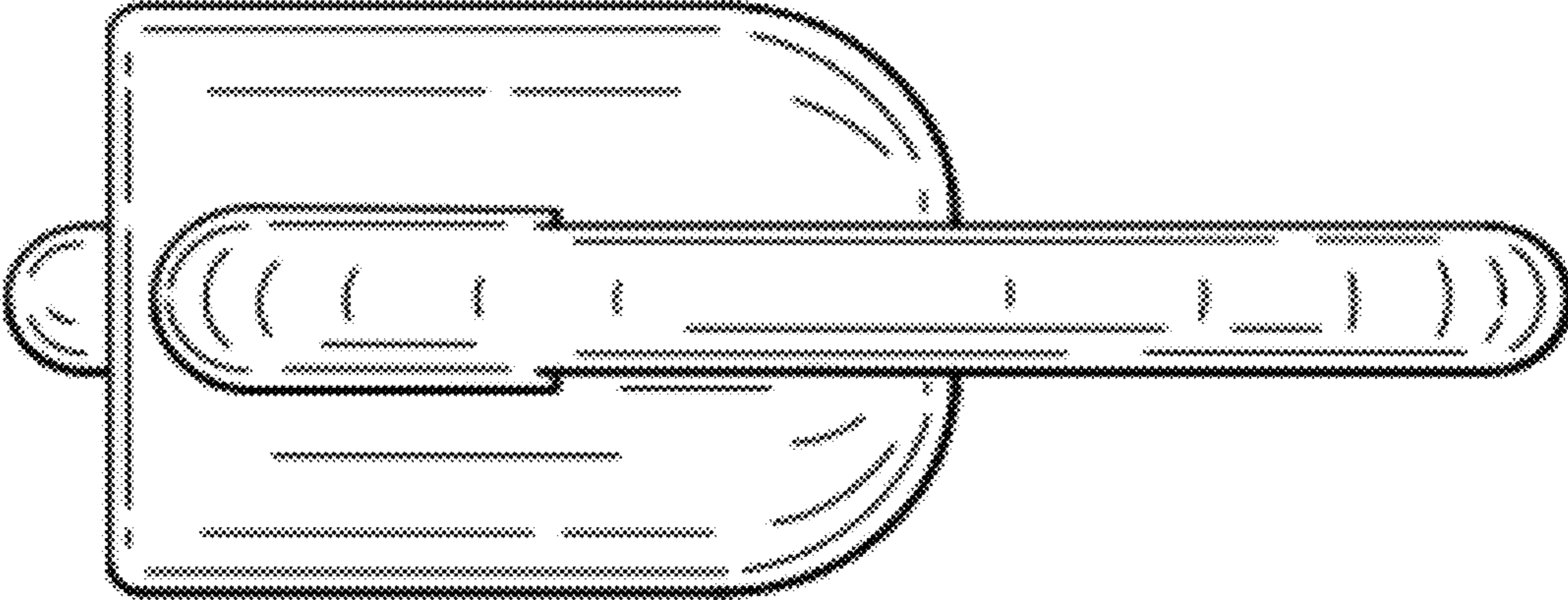


FIG. 2

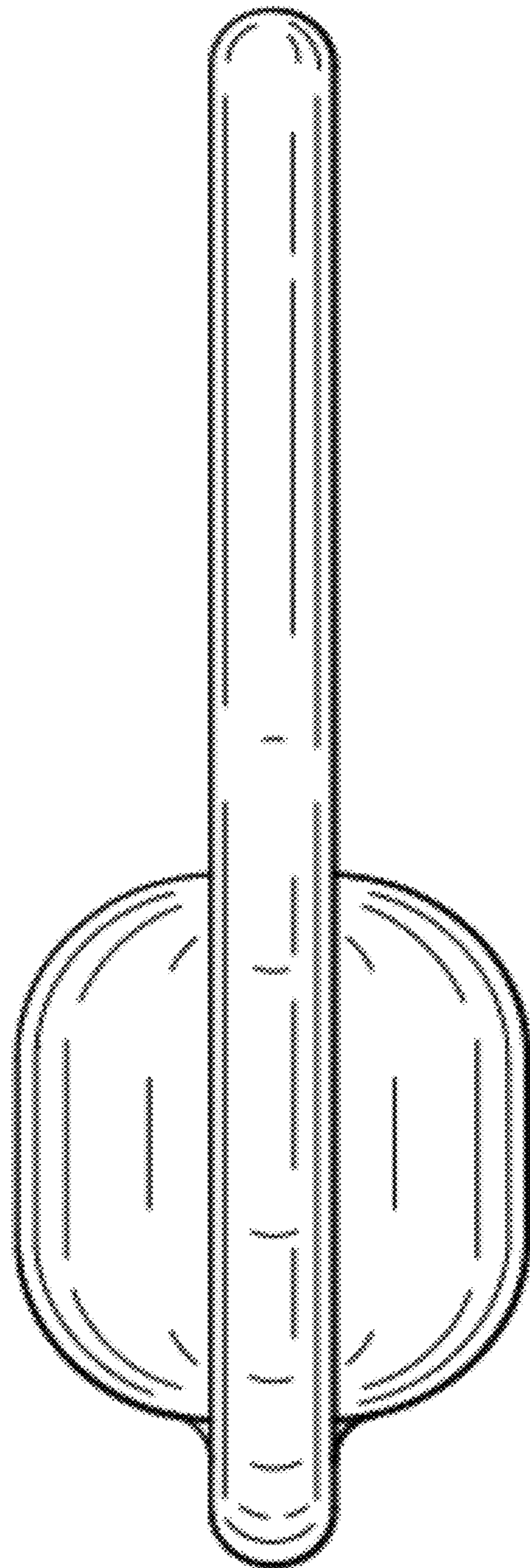


FIG. 3

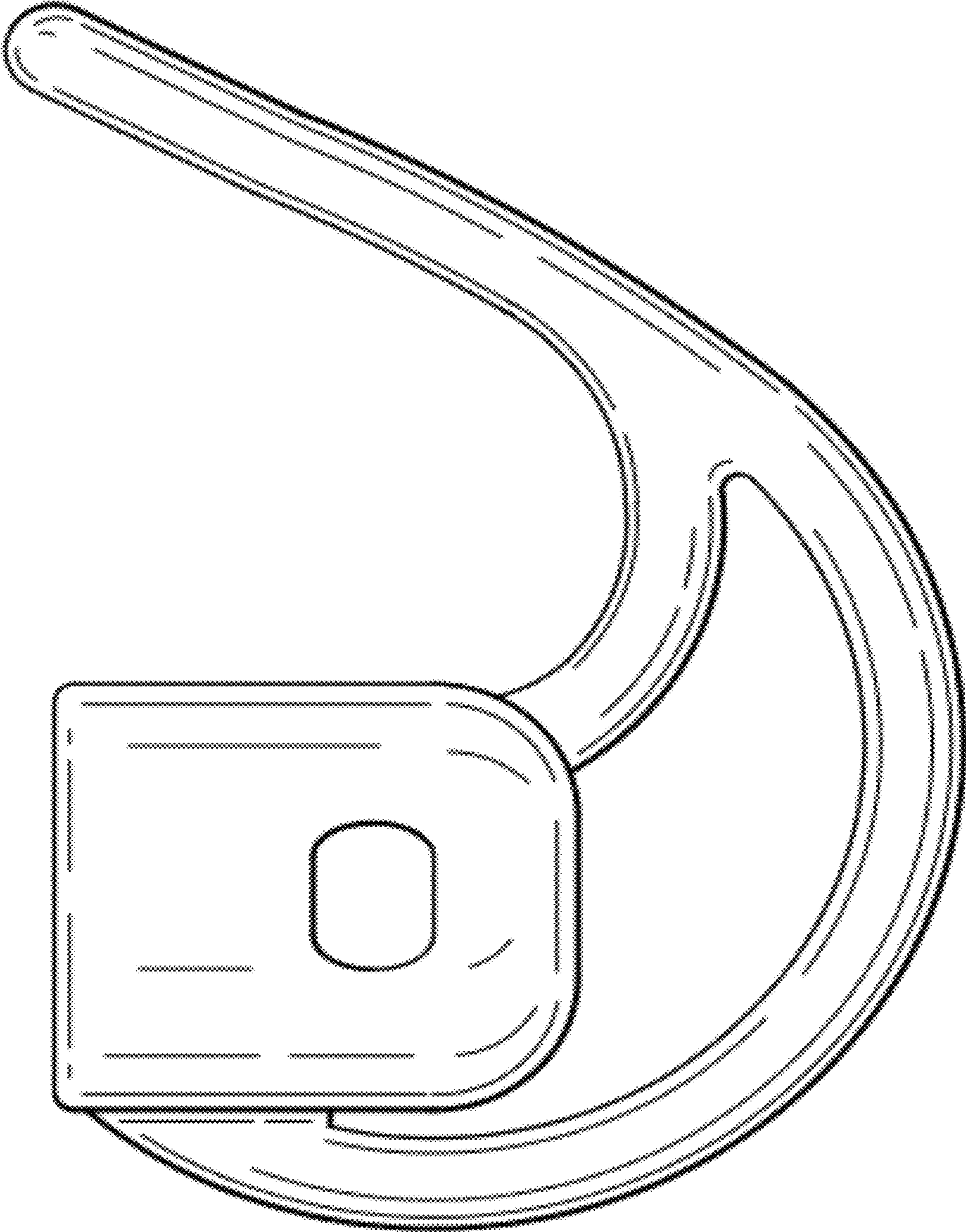


FIG. 4

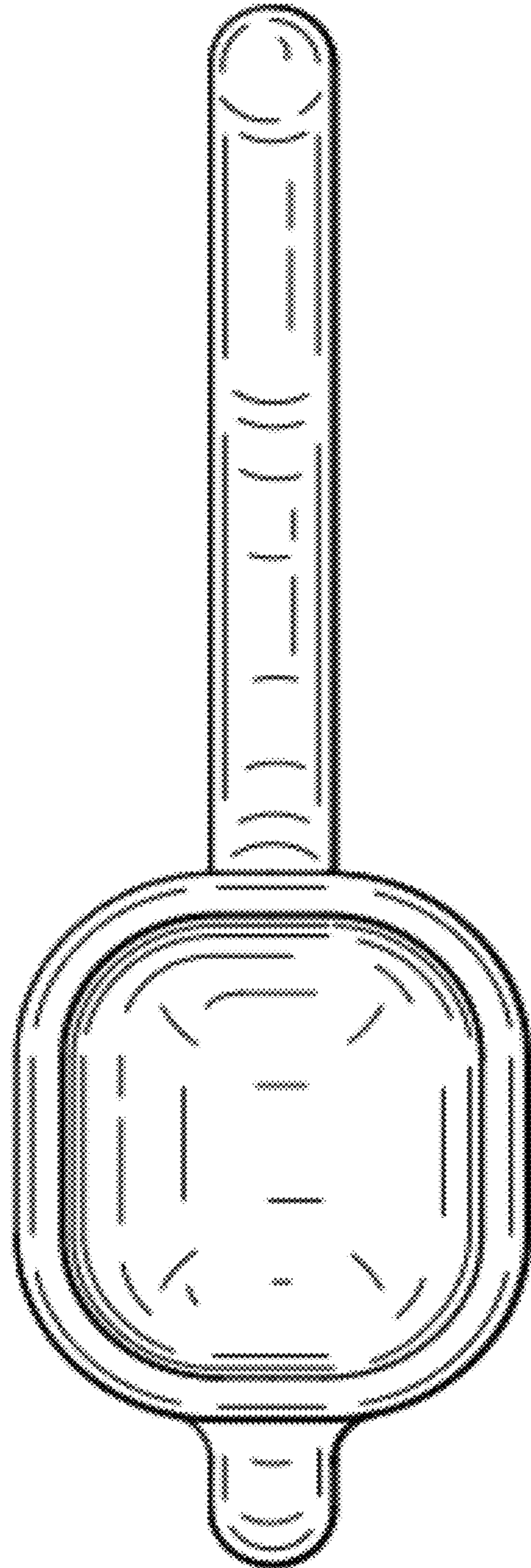


FIG. 5

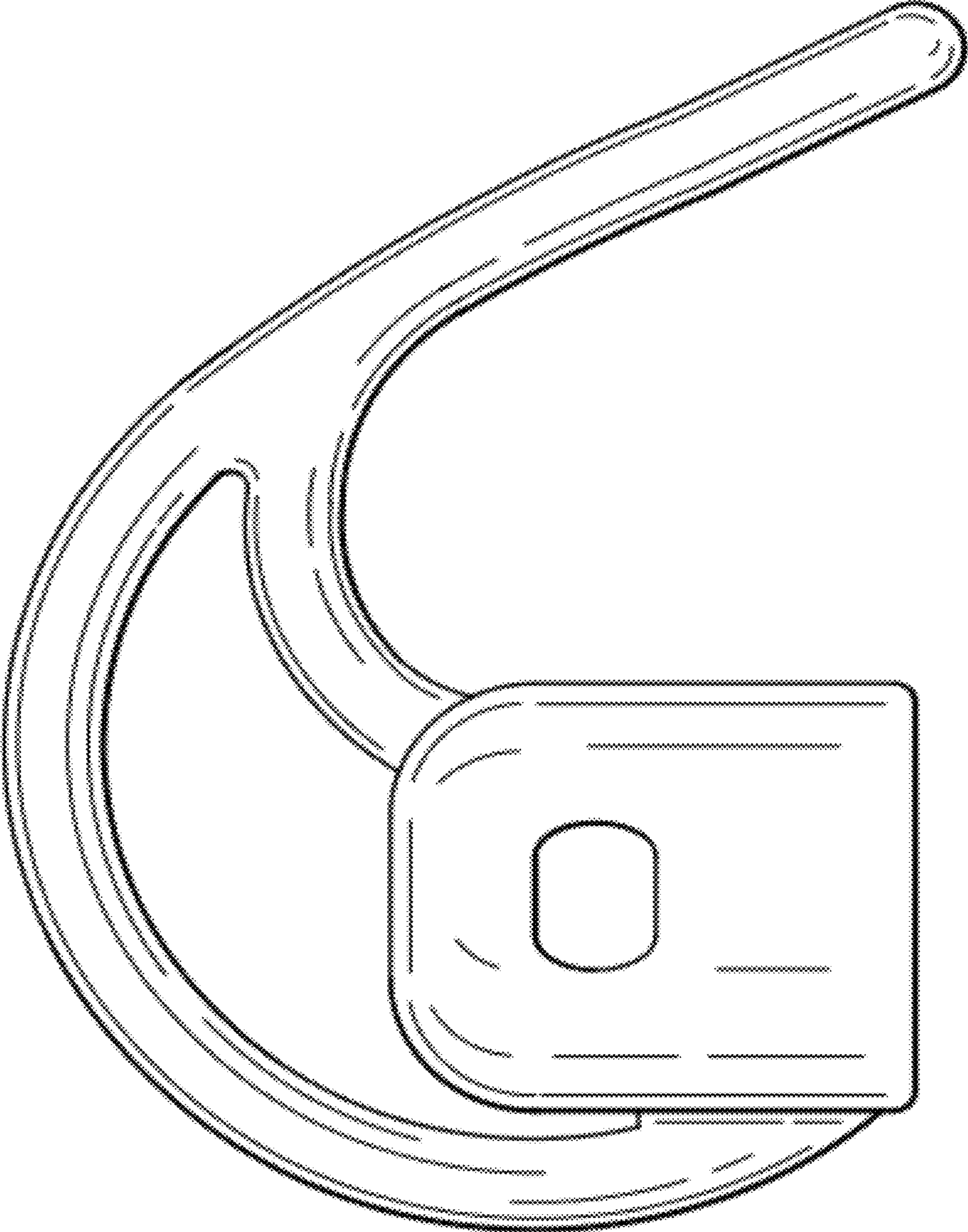


FIG. 6

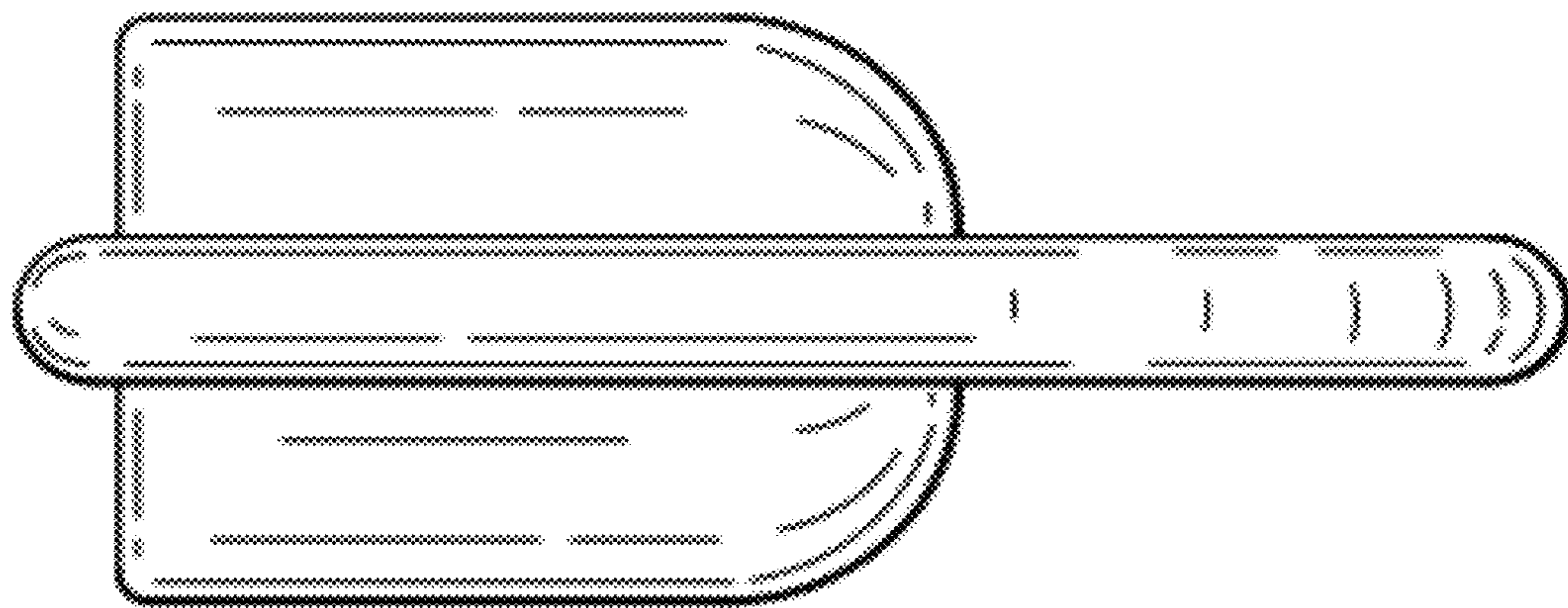


FIG. 7

