



US00D672041S

(12) **United States Design Patent**  
**Brown**

(10) **Patent No.:** **US D672,041 S**  
(45) **Date of Patent:** **\*\* Dec. 4, 2012**

(54) **TONGUE CLEANER**

(76) Inventor: **Thomas Brown**, Shawnee, KS (US)

(\*\*) Term: **14 Years**

(21) Appl. No.: **29/343,253**

(22) Filed: **Sep. 9, 2009**

(51) **LOC (9) Cl.** ..... **24-02**

(52) **U.S. Cl.** ..... **D24/147**

(58) **Field of Classification Search** ..... D24/133,  
D24/146, 147, 176; 15/111, 160, 167.1;  
132/309, 325, 329; 606/161; D4/108, 118,  
D4/199

See application file for complete search history.

(56) **References Cited**

U.S. PATENT DOCUMENTS

5,682,912 A \* 11/1997 Desiderio ..... 132/329  
D404,487 S \* 1/1999 Bertella ..... D24/147  
D408,534 S \* 4/1999 Jansheski ..... D24/147

6,056,763 A \* 5/2000 Parsons ..... 606/161  
6,289,545 B1 \* 9/2001 Mølster ..... 15/167.1  
6,363,949 B1 \* 4/2002 Brown ..... 132/325  
D484,978 S \* 1/2004 Syal ..... D24/147  
D528,207 S \* 9/2006 Kling ..... D24/146  
7,144,378 B2 \* 12/2006 Arnott ..... 600/585  
D567,945 S \* 4/2008 Foster et al. .... D24/147

\* cited by examiner

*Primary Examiner* — Freda S Nunn

(74) *Attorney, Agent, or Firm* — Jacob & Associates, LLC

(57) **CLAIM**

The ornamental design for a tongue cleaner, as shown and described.

**DESCRIPTION**

FIG. 1 is a side elevation of a the tongue cleaner, including tongue engaging and handle/compartments sections; FIG. 2 is an isometric view of the tongue cleaner; FIG. 3 is a top view of the tongue cleaner; and, FIG. 4 is a rear view of the tongue cleaner.

**1 Claim, 1 Drawing Sheet**

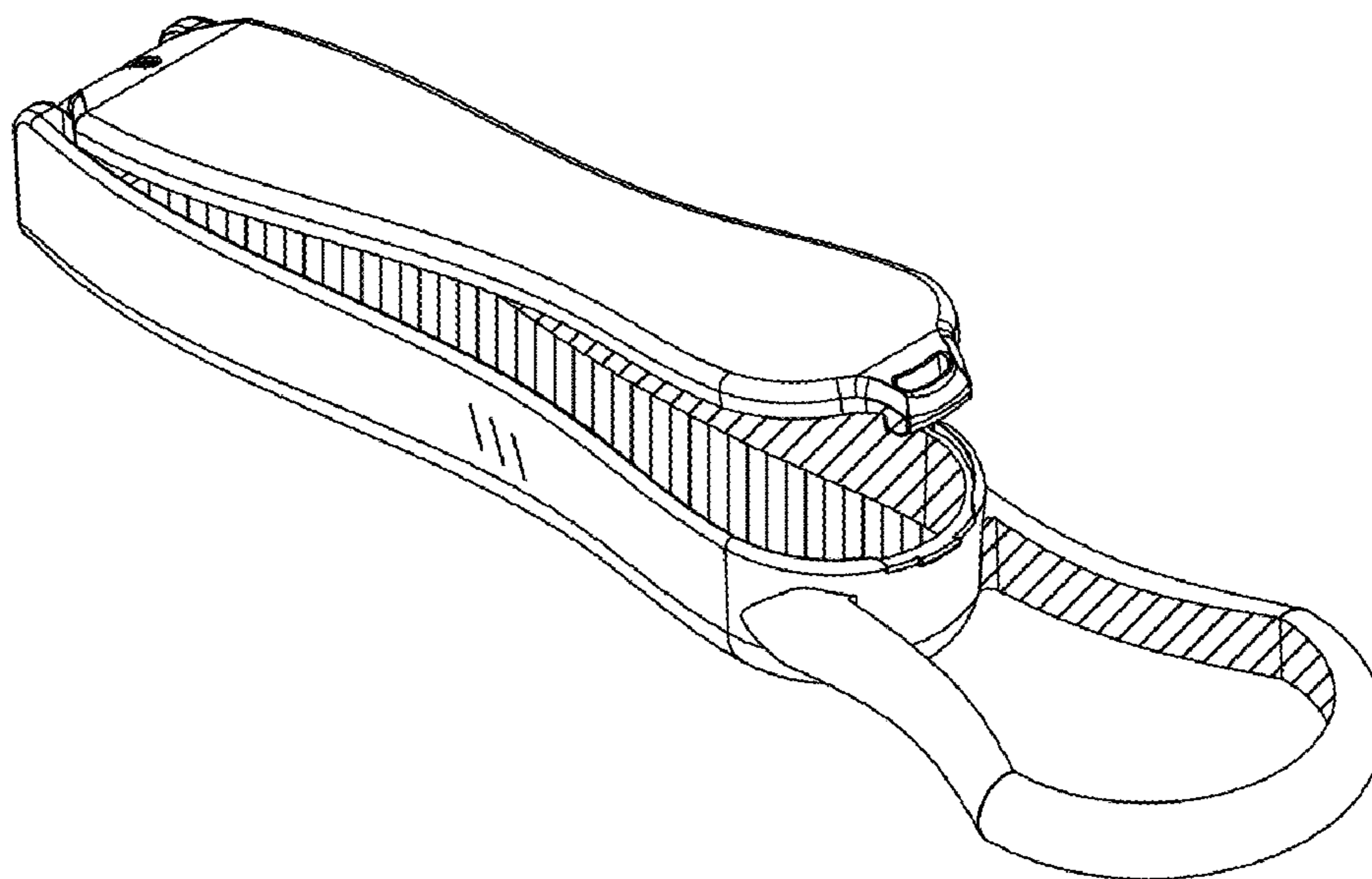
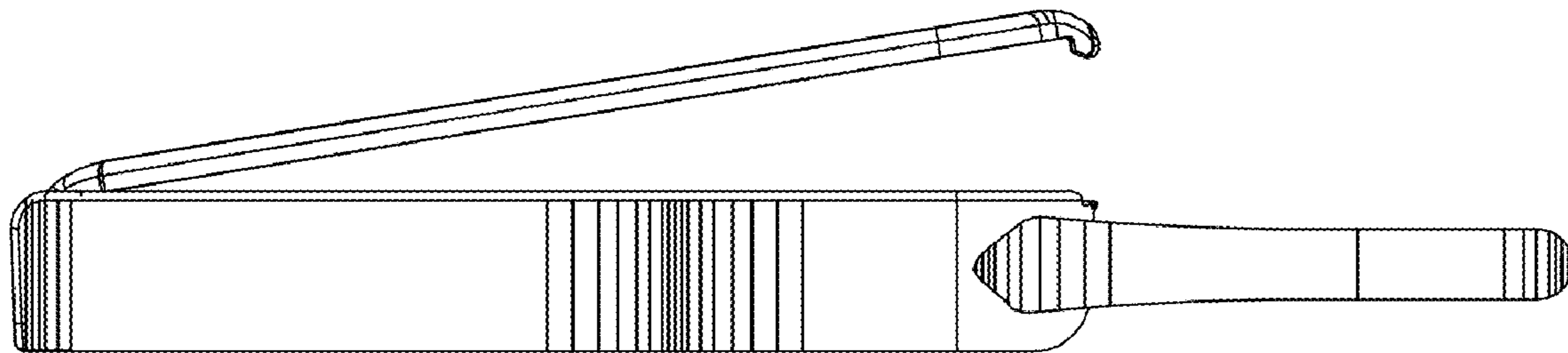


FIG. 2

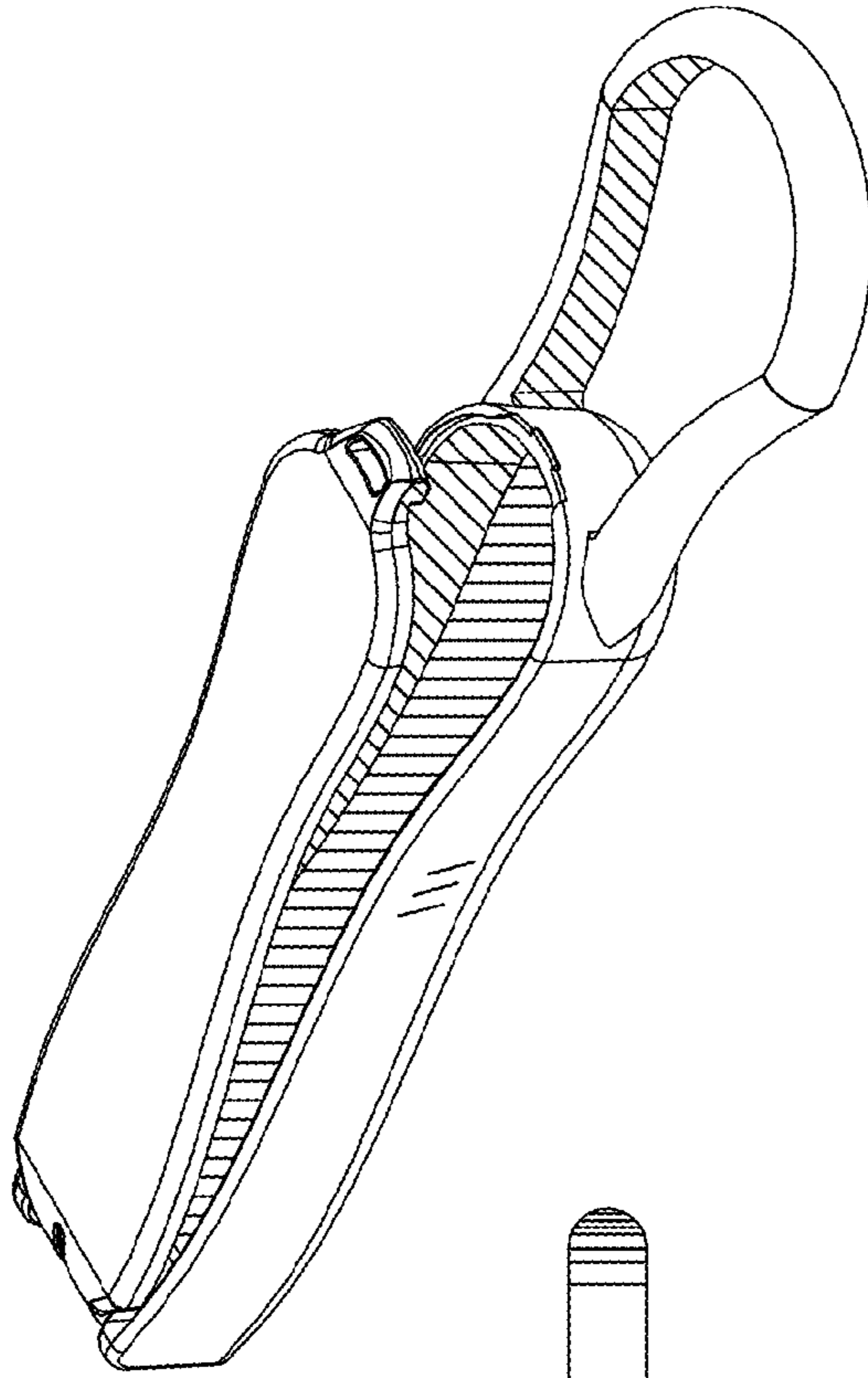


FIG. 1

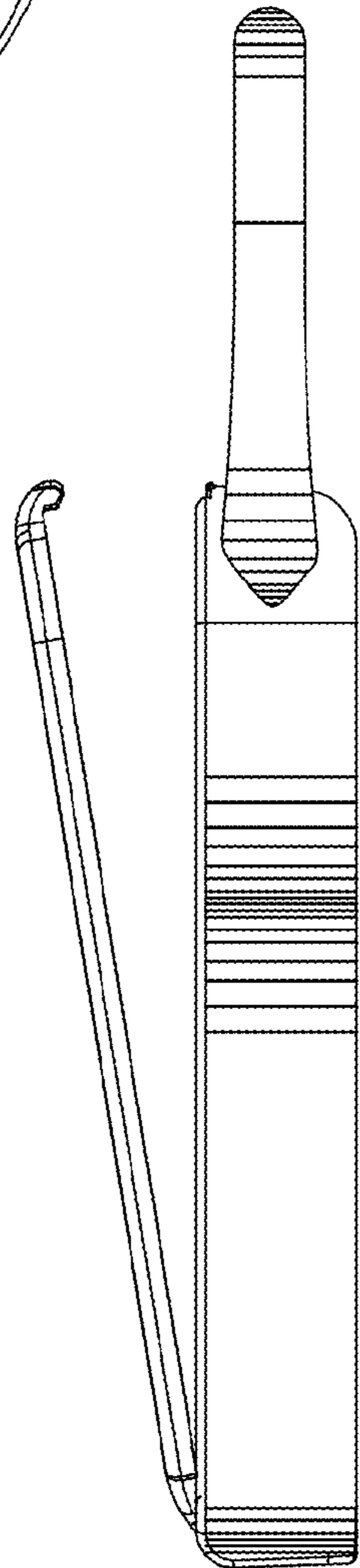


FIG. 3

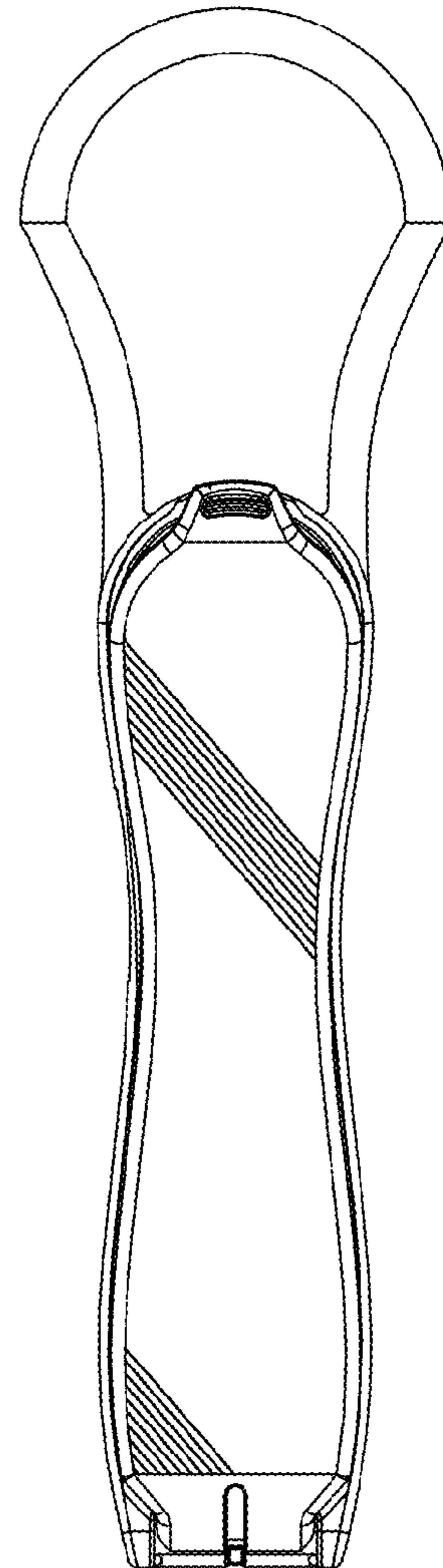


FIG. 4

