

US00D672040S

(12) **United States Design Patent**
Delahoussaye et al.

(10) **Patent No.:** **US D672,040 S**

(45) **Date of Patent:** **** Dec. 4, 2012**

(54) **CUFFED-CATHETER REMOVER**

(75) Inventors: **Jacque Delahoussaye**, Livingston, TX (US); **Nunilon F. Tabermejo**, Louisville, KY (US)

(73) Assignee: **Jacque Delahoussaye**, Livingston, TX (US)

(**) Term: **14 Years**

(21) Appl. No.: **29/406,692**

(22) Filed: **Nov. 17, 2011**

(51) **LOC (9) Cl.** **24-02**

(52) **U.S. Cl.** **D24/143**

(58) **Field of Classification Search** D24/133, D24/143, 146-147, 144, 170; 604/165.01, 604/264; 606/108, 136, 167, 170, 184-185, 606/205-206

See application file for complete search history.

(56) **References Cited**

U.S. PATENT DOCUMENTS

5,843,001	A *	12/1998	Goldenberg	604/533
D439,980	S *	4/2001	Reiley et al.	D24/147
6,575,919	B1 *	6/2003	Reiley et al.	604/165.01
7,731,692	B2 *	6/2010	Moos et al.	606/184

7,758,590	B2 *	7/2010	Daniele et al.	606/108
8,167,899	B2 *	5/2012	Justis et al.	606/184
2006/0276772	A1 *	12/2006	Moos et al.	606/167
2007/0185510	A1 *	8/2007	Tran	606/167
2008/0195130	A1 *	8/2008	Batiste	606/170
2010/0241133	A1 *	9/2010	Daniele et al.	606/108

* cited by examiner

Primary Examiner — Wan Laymon

(74) *Attorney, Agent, or Firm* — Taylor IP, P.C.

(57) **CLAIM**

The ornamental design for a cuffed-catheter remover, as shown and described.

DESCRIPTION

FIG. 1 is a perspective view of a cuffed-catheter remover showing our new design, with the cutting head in the open position;

FIG. 2 is another perspective view thereof, with the cutting head in the closed position;

FIG. 3 is a side view thereof;

FIG. 4 is a top view thereof;

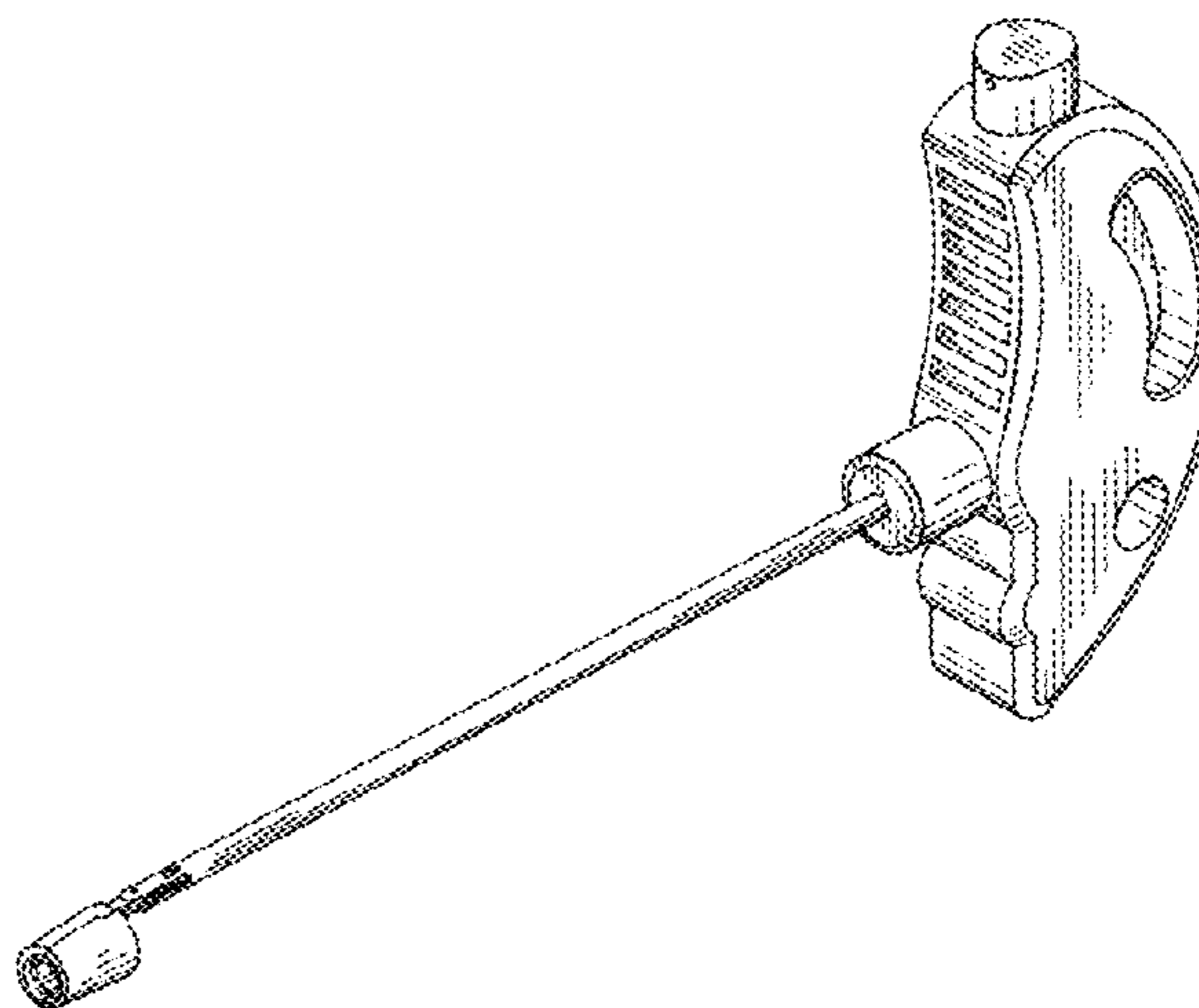
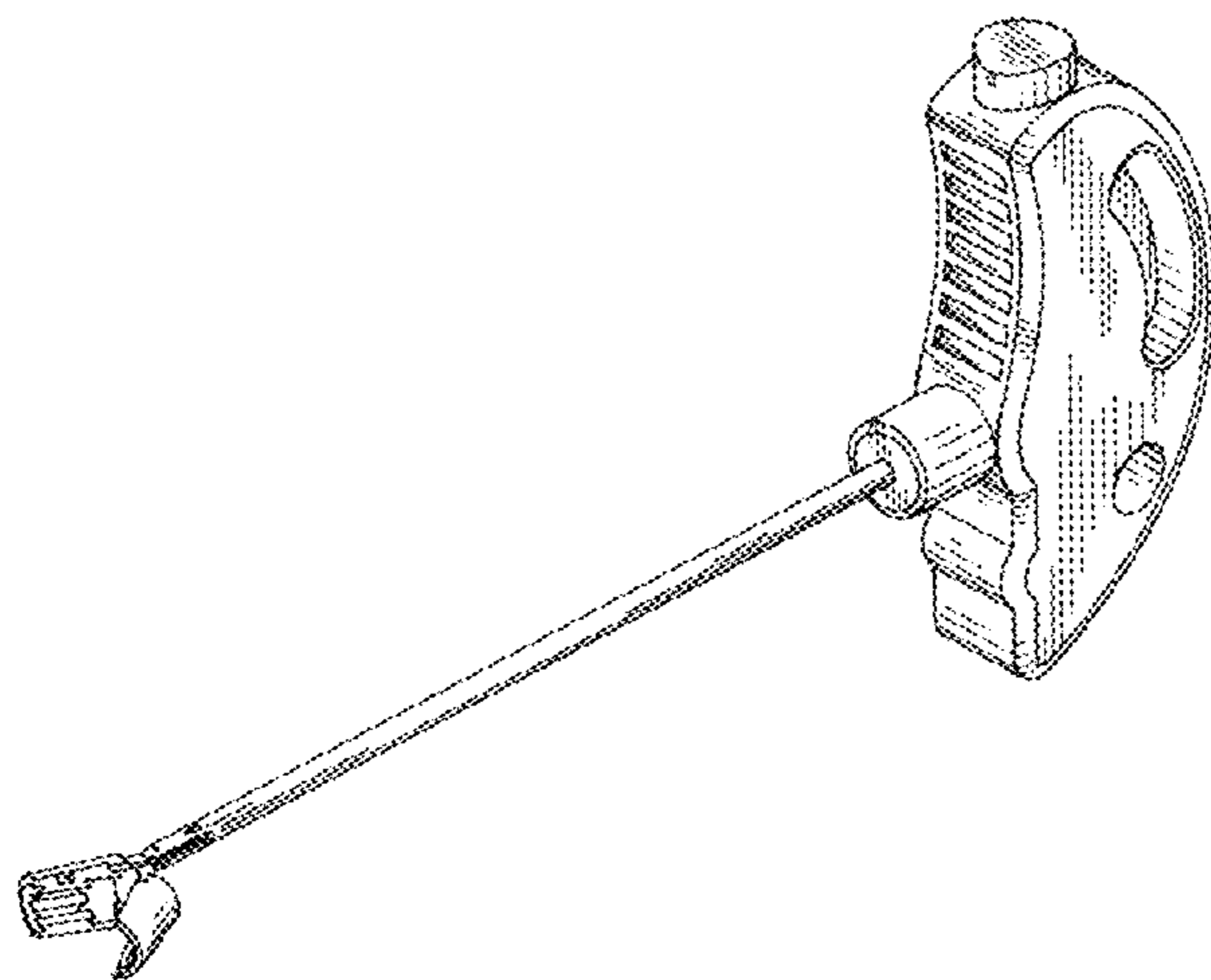
FIG. 5 is an opposite side view thereof;

FIG. 6 is a bottom view thereof;

FIG. 7 is a front view thereof; and,

FIG. 8 is a rear view thereof.

1 Claim, 5 Drawing Sheets



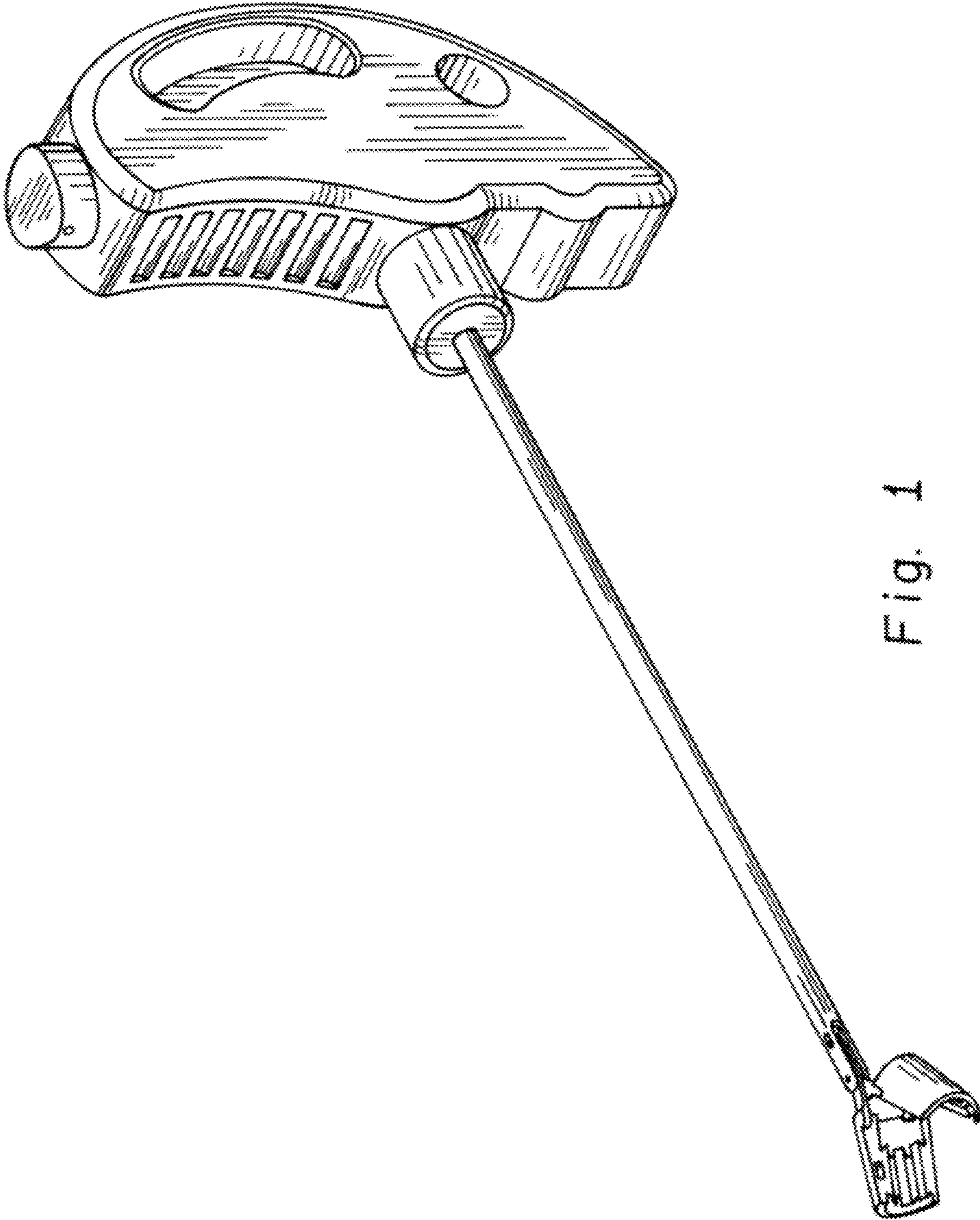


Fig. 1

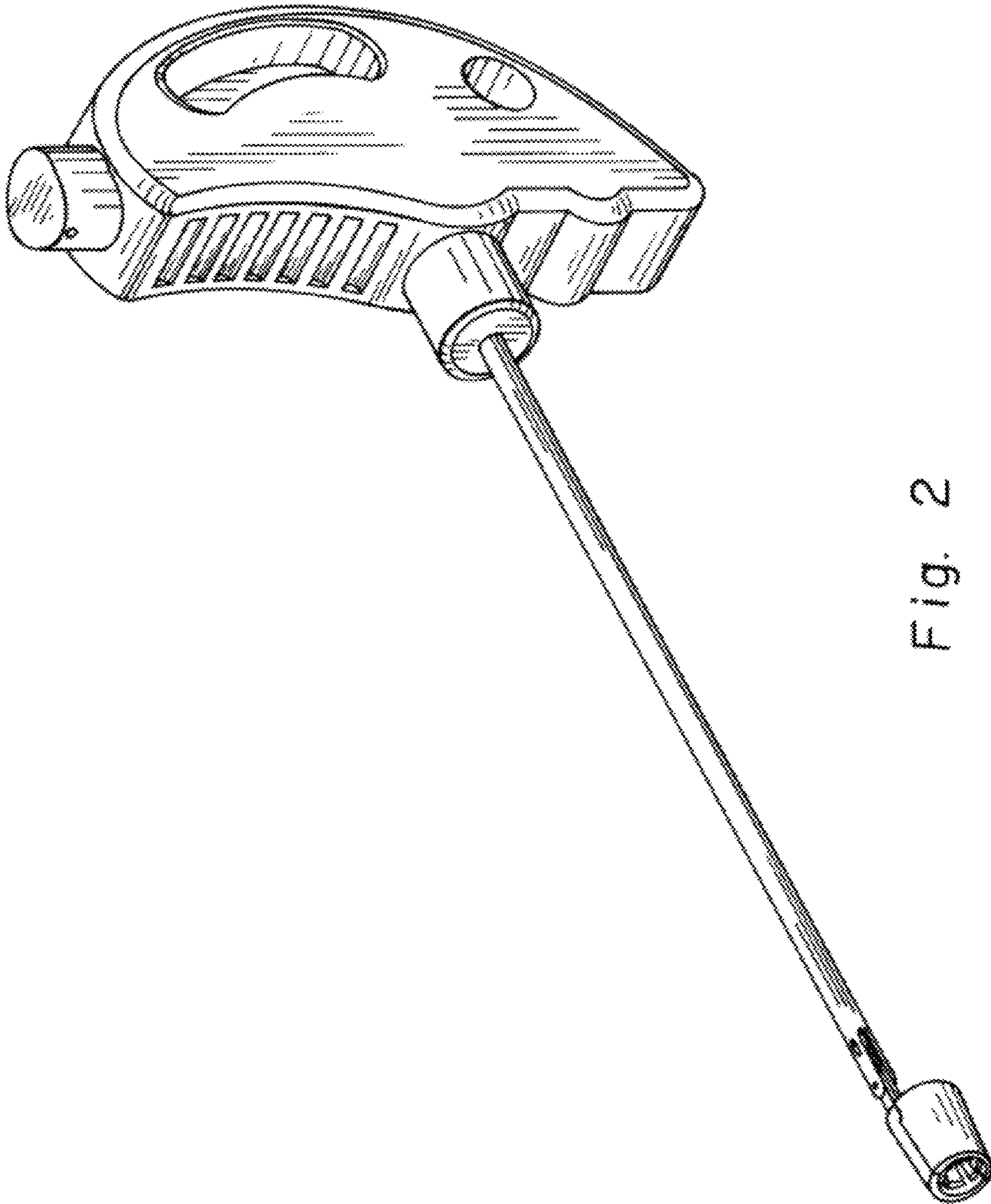


Fig. 2

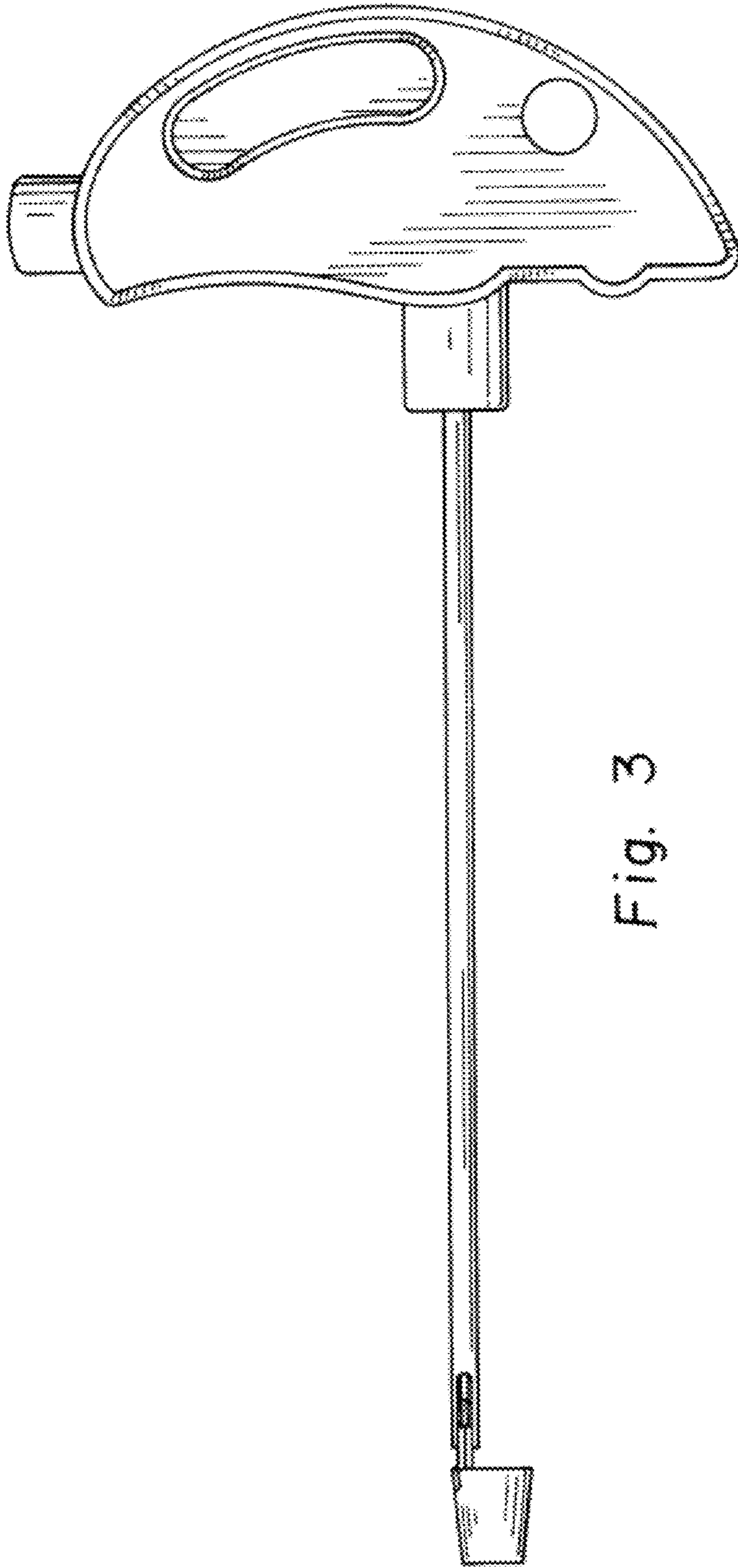


Fig. 3

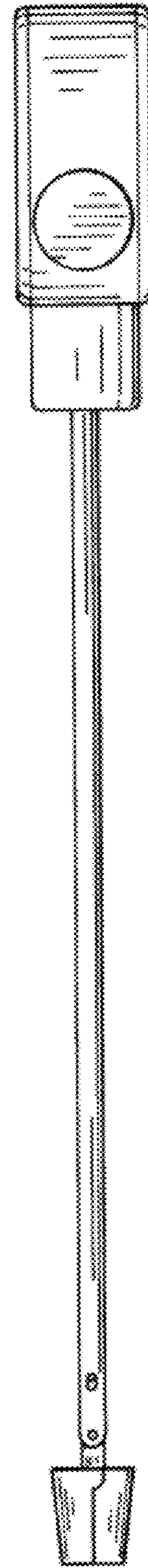


Fig. 4

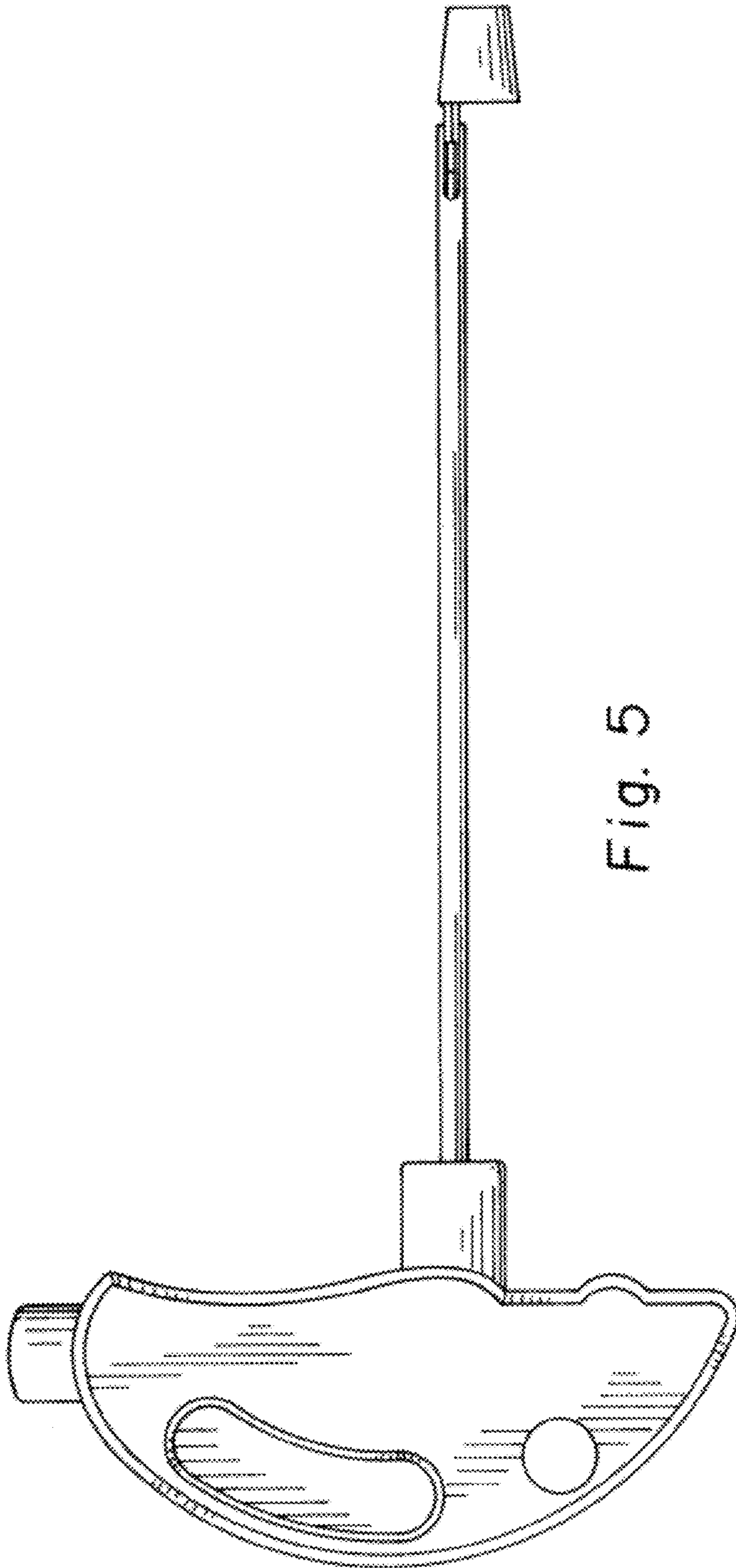


Fig. 5

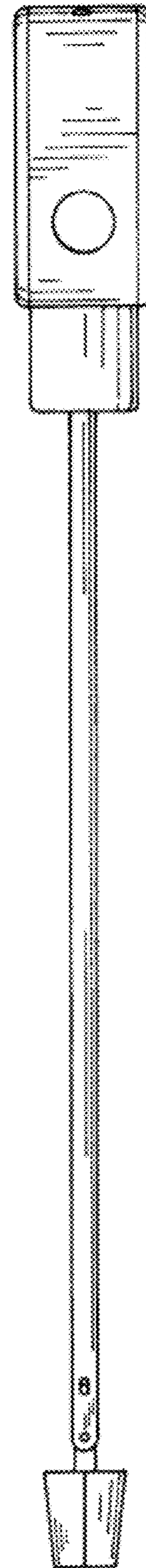


Fig. 6

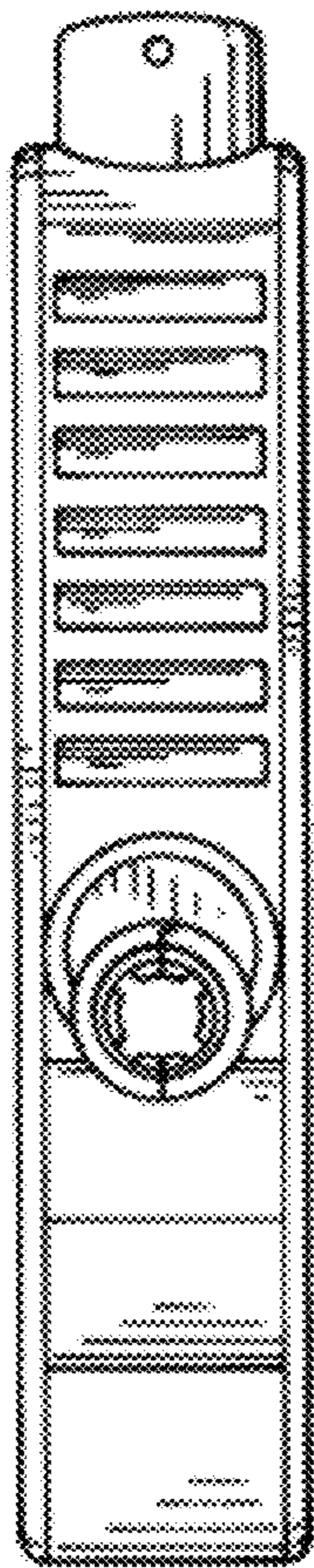


Fig. 7

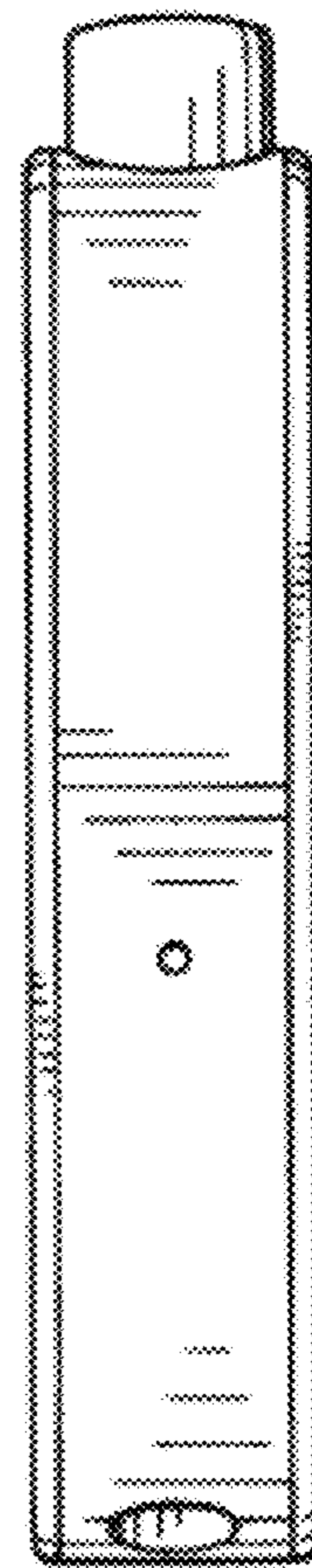


Fig. 8