



US00D672038S

(12) **United States Design Patent**
Frey

(10) **Patent No.:** **US D672,038 S**
(45) **Date of Patent:** **** Dec. 4, 2012**

(54) **SURGICAL GUIDE**

(76) Inventor: **George Frey**, Englewood, CO (US)

(**) Term: **14 Years**

(21) Appl. No.: **29/427,918**

(22) Filed: **Jul. 24, 2012**

Related U.S. Application Data

(63) Continuation-in-part of application No. 29/409,734, filed on Dec. 28, 2011, now Pat. No. Des. 669,176, and a continuation of application No. 13/172,683, filed on Jun. 29, 2011.

(51) **LOC (9) Cl.** **24-02**

(52) **U.S. Cl.** **D24/140**

(58) **Field of Classification Search** D24/133,
D24/140, 155; 606/86 R-91, 96-103, 246,
606/248; 623/17.11, 17.16

See application file for complete search history.

(56) **References Cited**

U.S. PATENT DOCUMENTS

D359,557 S	6/1995	Hayes	
D403,066 S	12/1998	DeFonzo	
D412,032 S *	7/1999	Mikula-Curtis et al. D24/140
D420,132 S	2/2000	Bucholz et al.	
D428,989 S	8/2000	Segermark et al.	
D532,515 S	11/2006	Buttler et al.	
D533,664 S	12/2006	Buttler et al.	
7,658,610 B2	2/2010	Knopp	
D618,796 S	6/2010	Cantu et al.	
7,844,356 B2	11/2010	Matov et al.	
7,957,824 B2	6/2011	Boronvinskih et al.	
2004/0097925 A1	5/2004	Boehm et al.	
2006/0084986 A1	4/2006	Grinberg et al.	
2007/0288030 A1	12/2007	Metzger et al.	
2008/0114370 A1	5/2008	Schoenefeld	
2008/0161815 A1	7/2008	Schoenefeld et al.	
2008/0183214 A1	7/2008	Copp et al.	
2008/0257363 A1	10/2008	Schoenefeld et al.	

(Continued)

FOREIGN PATENT DOCUMENTS

CN 201275138 7/2009
(Continued)

OTHER PUBLICATIONS

U.S. Appl. No. 29/409,734, filed Dec. 28, 2011, Frey,
(Continued)

Primary Examiner — Bridget L Eland

(74) *Attorney, Agent, or Firm* — Sheridan Ross P.C.

(57) **CLAIM**

The ornamental design for a surgical guide, as shown and described.

DESCRIPTION

FIG. 1 is a perspective view of a surgical guide, showing my new design;

FIG. 2 is a left elevation view of the surgical guide illustrated in FIG. 1;

FIG. 3 is a right elevation view of the surgical guide illustrated in FIG. 1;

FIG. 4 is a front elevation view of the surgical guide illustrated in FIG. 1;

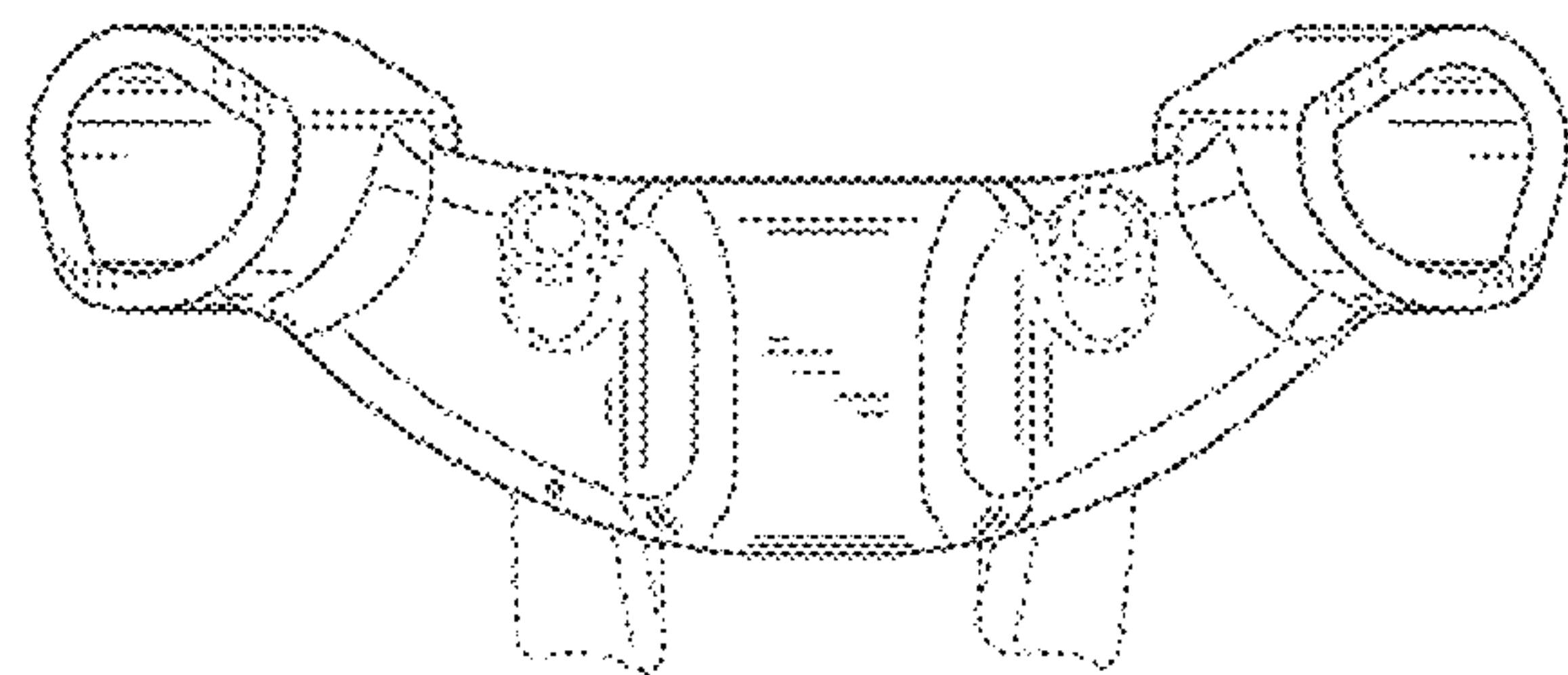
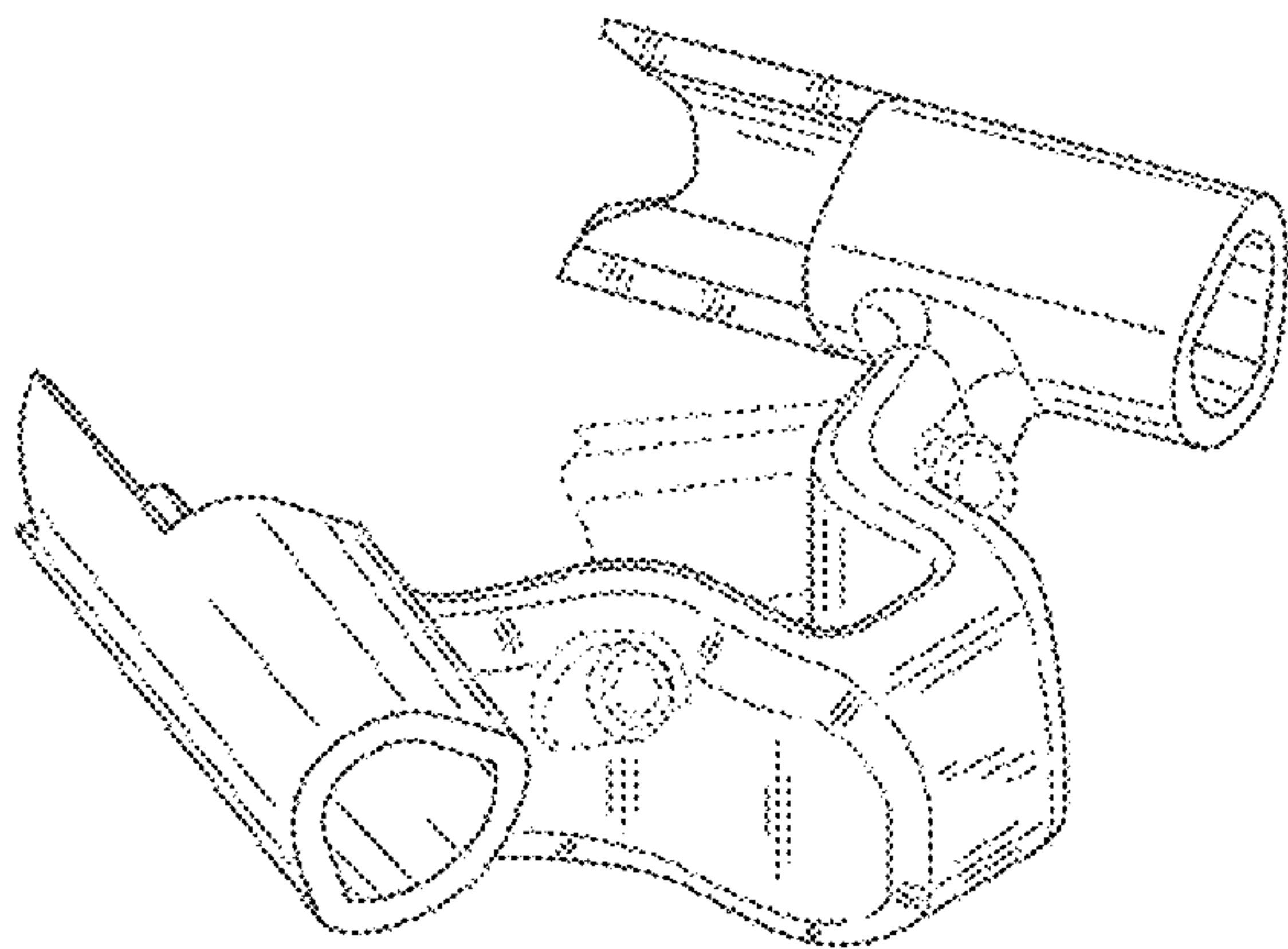
FIG. 5 is a rear elevation view of the surgical guide illustrated in FIG. 1;

FIG. 6 is a top plan view of the surgical guide illustrated in FIG. 1; and,

FIG. 7 is a bottom plan view of the surgical guide illustrated in FIG. 1.

The broken lines immediately adjacent the shaded areas represent the bounds of the claimed design while all other broken lines are directed to environment and are for illustrative purposes only; the broken lines form no part of the claimed design.

1 Claim, 5 Drawing Sheets



U.S. PATENT DOCUMENTS

2008/0275452	A1	11/2008	Lang et al.	
2008/0312659	A1	12/2008	Metzger et al.	
2009/0087276	A1	4/2009	Rose	
2009/0110498	A1	4/2009	Park	
2009/0138020	A1	5/2009	Park et al.	
2009/0187194	A1	7/2009	Hamada	
2009/0198277	A1	8/2009	Gordon et al.	
2009/0254093	A1	10/2009	White et al.	
2009/0270868	A1	10/2009	Park et al.	
2010/0049195	A1	2/2010	Park et al.	
2010/0087829	A1	4/2010	Metzger et al.	
2010/0100193	A1	4/2010	White	
2010/0152782	A1	6/2010	Stone et al.	
2010/0191244	A1	7/2010	White et al.	
2010/0217270	A1	8/2010	Polinski et al.	
2010/0217336	A1	8/2010	Crawford et al.	
2010/0305700	A1	12/2010	Ben-Arye et al.	
2010/0324692	A1	12/2010	Uthgenannt et al.	
2011/0015636	A1	1/2011	Katrana et al.	
2011/0015639	A1	1/2011	Metzger et al.	
2011/0046735	A1	2/2011	Metzger et al.	
2011/0054478	A1	3/2011	Vanasse et al.	
2011/0071533	A1	3/2011	Metzger et al.	
2011/0093023	A1	4/2011	Lee et al.	
2011/0093086	A1	4/2011	Witt et al.	
2011/0160736	A1	6/2011	Meridew et al.	
2011/0160867	A1	6/2011	Meridew et al.	
2011/0166578	A1	7/2011	Stone et al.	
2011/0184419	A1	7/2011	Meridew et al.	
2011/0184526	A1	7/2011	White et al.	
2011/0190899	A1	8/2011	Pierce et al.	
2011/0213376	A1	9/2011	Maxson et al.	
2011/0218545	A1	9/2011	Catanzarite et al.	
2011/0224674	A1	9/2011	White et al.	
2011/0319745	A1*	12/2011	Frey	600/407
2012/0130434	A1*	5/2012	Stemniski	606/300
2012/0215315	A1*	8/2012	Hochschuler et al.	623/17.16

FOREIGN PATENT DOCUMENTS

CN	201404283	2/2010
CN	101390773	11/2010
CN	101953713	1/2011
WO	WO 2007/145937	12/2007
WO	WO 2008/027549	3/2008
WO	WO 2009/129063	10/2009
WO	WO 2010/148103	12/2010
WO	WO 2011/041398	4/2011
WO	WO 2011/106711	9/2011
WO	WO 2011/109260	9/2011

OTHER PUBLICATIONS

Lu et al. "A novel computer-assisted drill guide template for lumbar pedicle screw placement: a cadaveric and clinical study." *The International Journal of Medical Robotics and Computer Assisted Surgery*, Jun. 2009, vol. 5, No. 2, pp. 184-191. (Abstract Only).

Lu et al. "A Novel Patient-Specific Navigational Template for Cervical Pedicle Screw Placement," *Spine*, Dec. 15, 2009, vol. 34, No. 26, pp. E959-E966 (Abstract Only).

Owen et al. "Rapid prototype patient-specific drill template for cervical pedicle screw placement." *Computer Aided Surgery*, Sep. 2007, vol. 12, No. 5, pp. 303-308 (Abstract Only).

Ryken et al. "Image-based drill templates for cervical pedicle screw placement Laboratory investigation," *Journal of Neurosurgery*, Jan. 2009, vol. 10, No. 1 (Abstract Only).

Yin et al. "Computer aid designed digital targeting template of pedicle of vertebral arch for atlantoaxial nailing," *IT in Medicine & Education*, 2009. ITIME '09. Aug. 14-16, 2009, vol. 1 (Abstract Only).

Notice of Allowance for U.S. Appl. No. 29/409,734, mailed May 11, 2012, 8 pages.

* cited by examiner

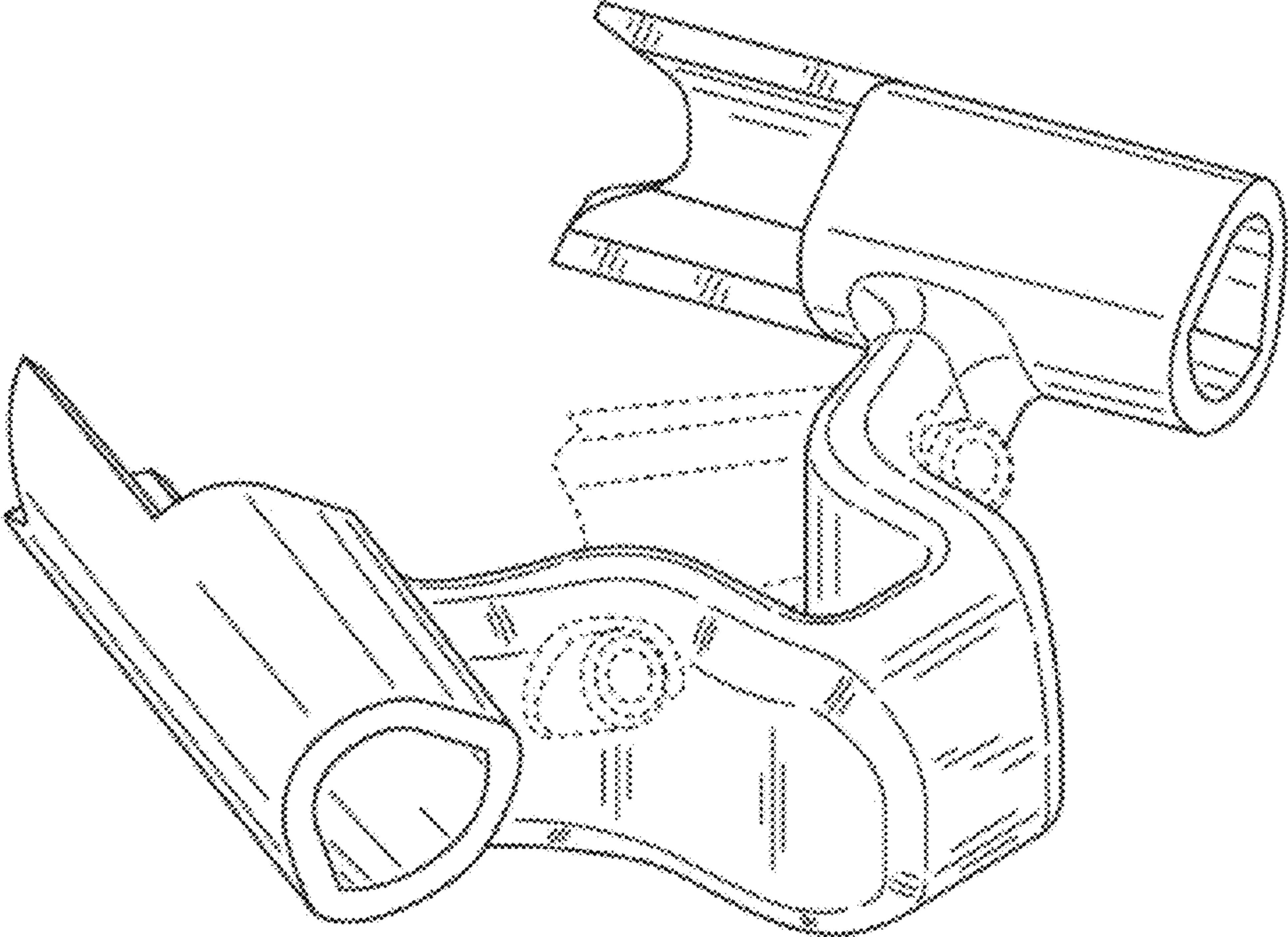


FIG. 1

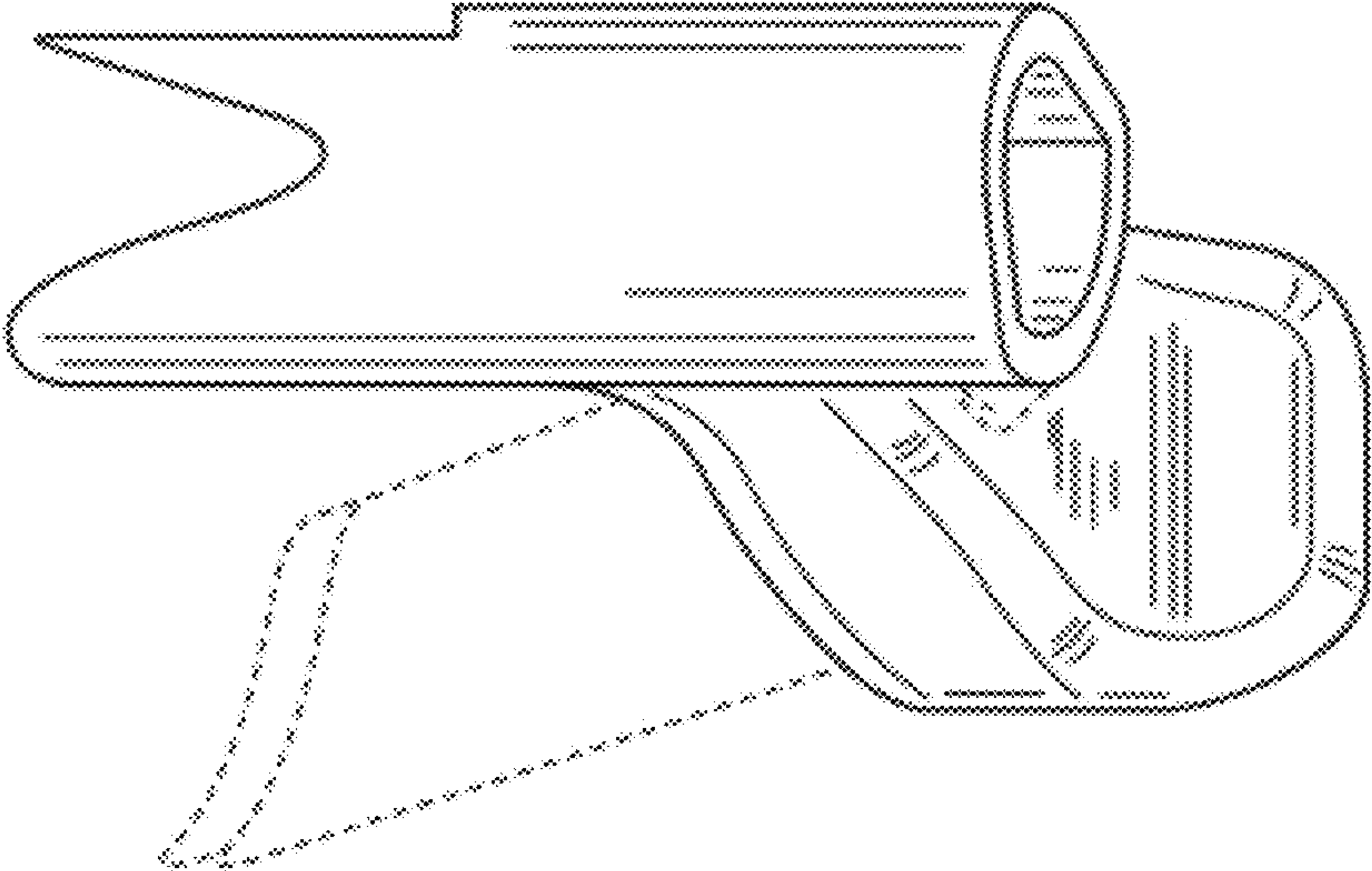


FIG. 2

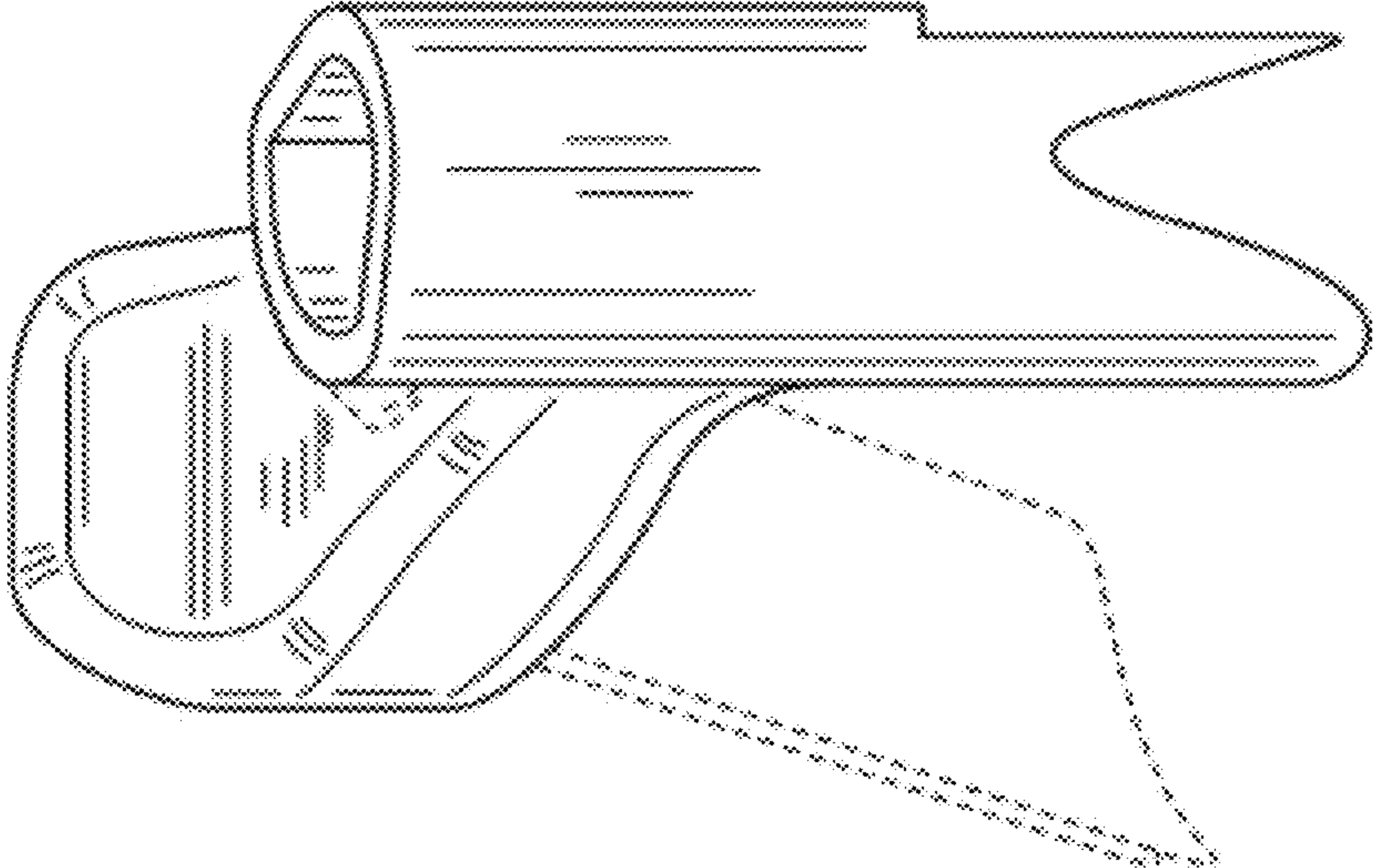


FIG. 3

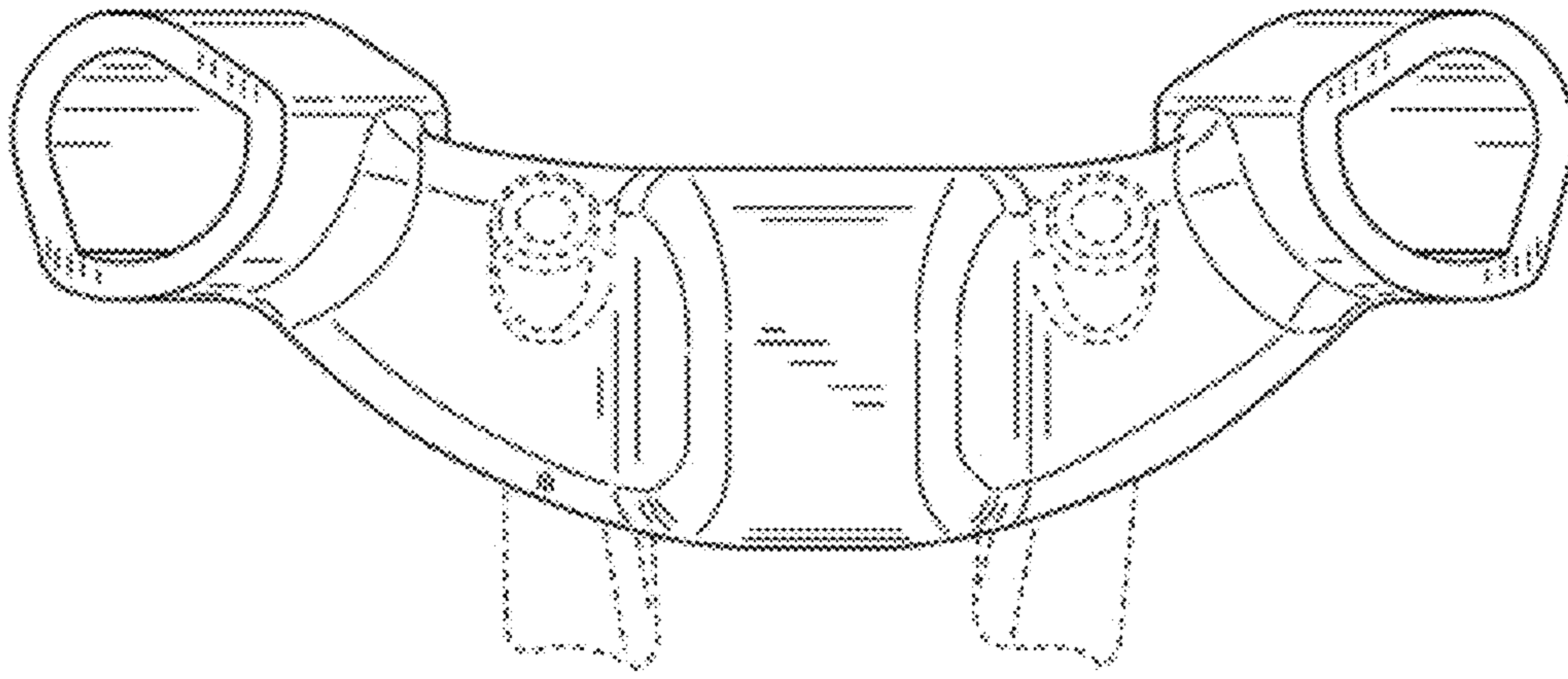


FIG. 4

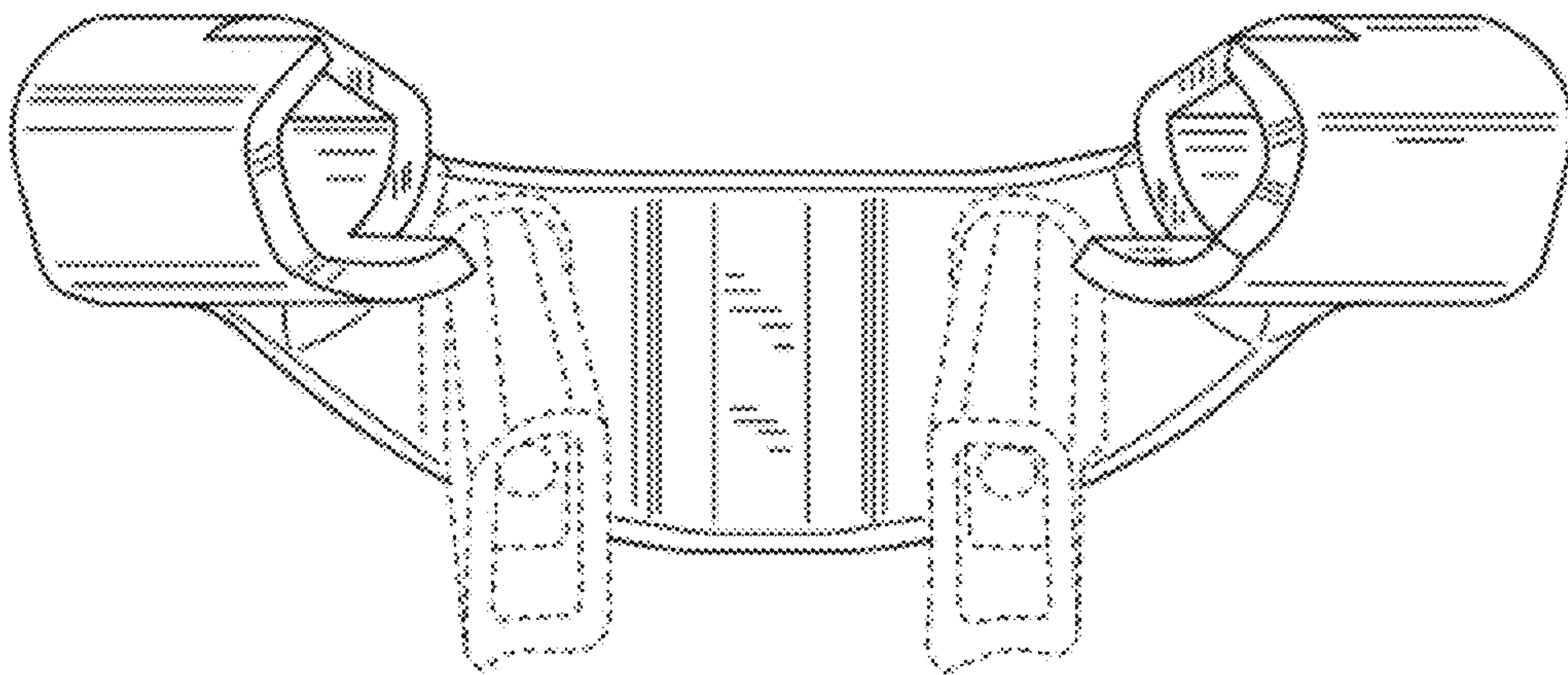


FIG. 5

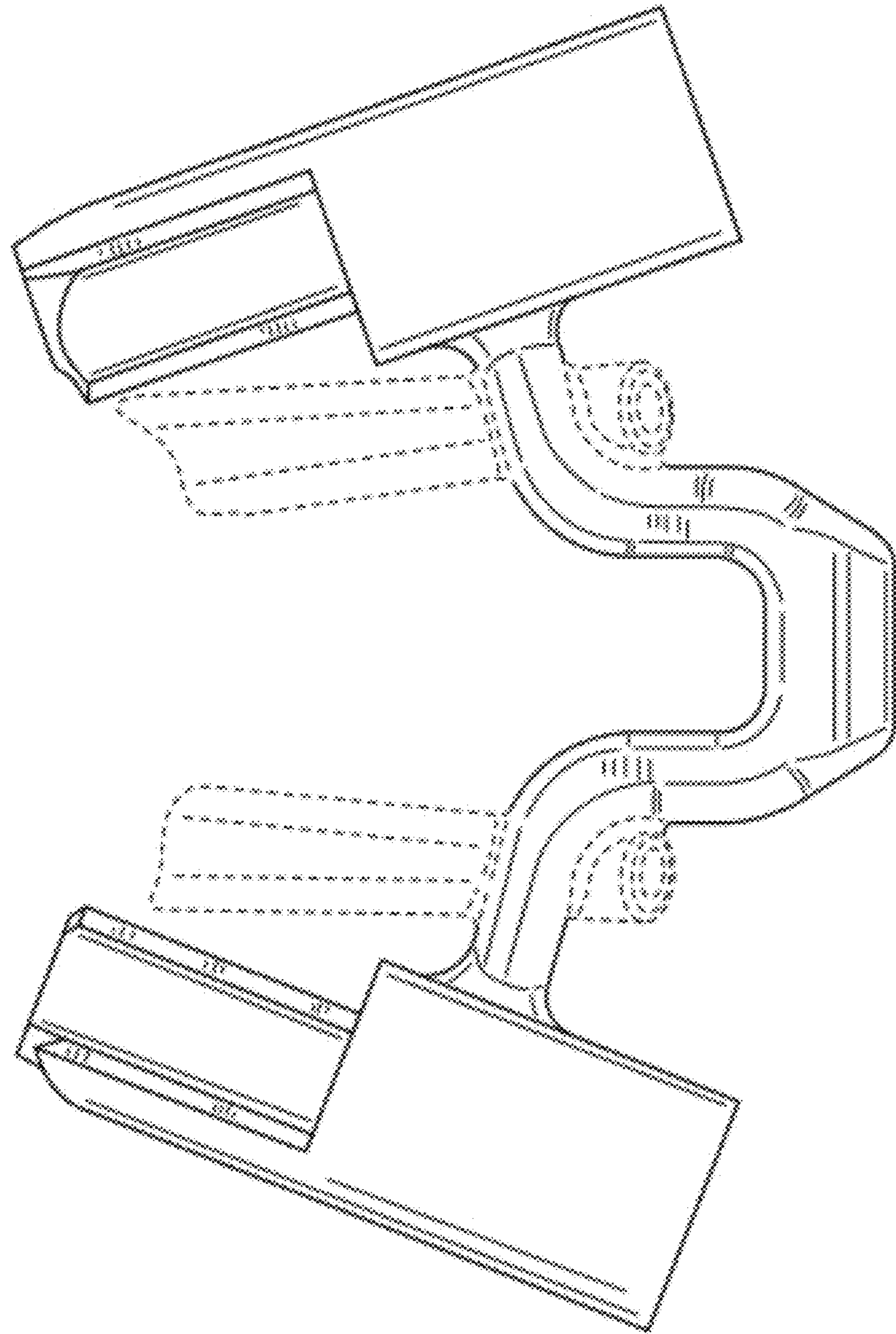


FIG.6

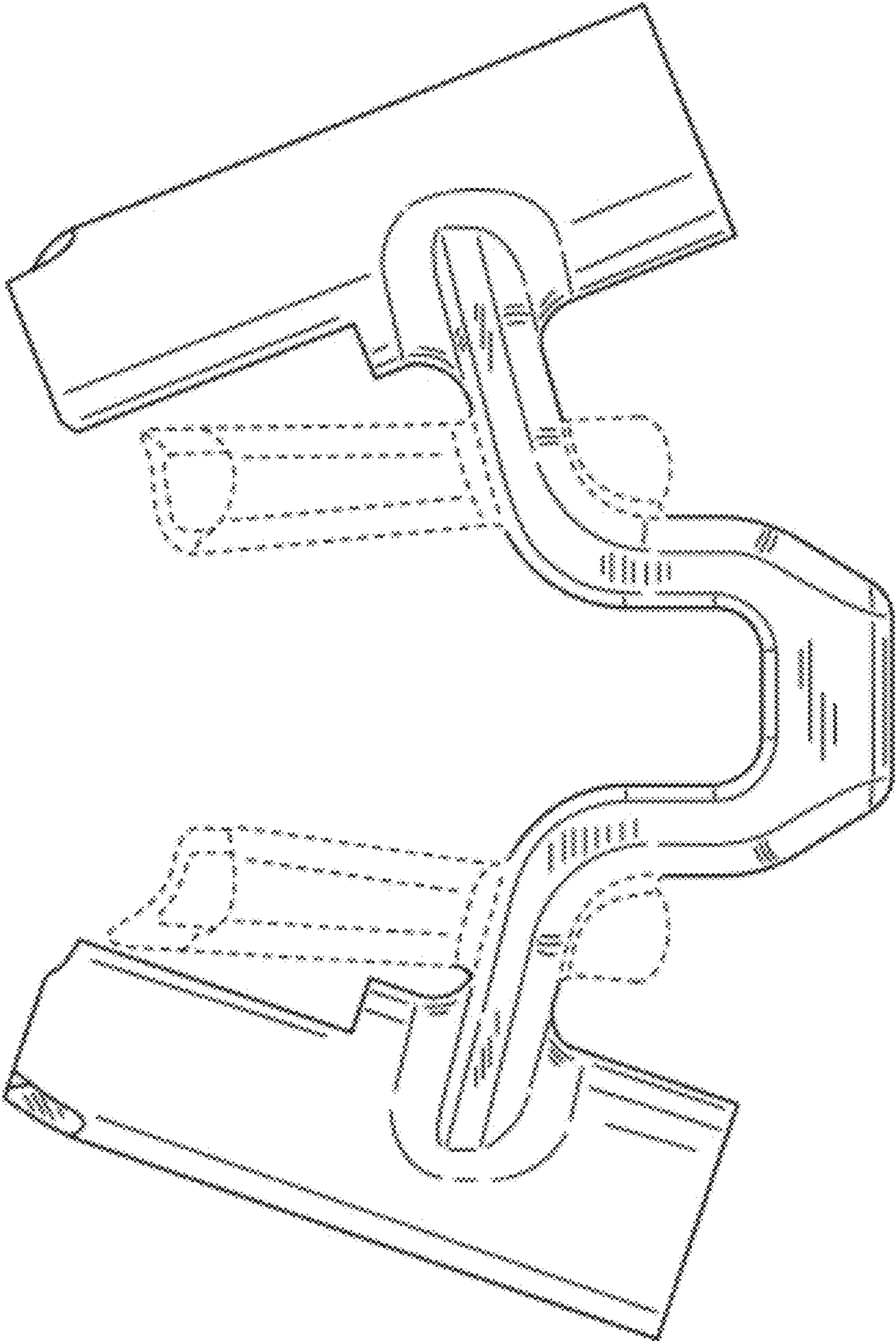


FIG. 7