



US00D672037S

(12) **United States Design Patent**
Miller

(10) **Patent No.:** **US D672,037 S**

(45) **Date of Patent:** **** Dec. 4, 2012**

(54) **CONNECTOR FOR TUBING**

(75) Inventor: **Andrew Neil Miller**, Bracknell (GB)

(73) Assignee: **Intersurgical AG**, Vaduz (LI)

(**) Term: **14 Years**

(21) Appl. No.: **29/358,234**

(22) Filed: **Mar. 24, 2010**

(30) **Foreign Application Priority Data**

Sep. 24, 2009 (EM) 001615352-0002

(51) **LOC (9) Cl.** **24-02**

(52) **U.S. Cl.** **D24/129**

(58) **Field of Classification Search** D24/108-110.5,
D24/127-130; 604/905, 533, 544, 408, 538,
604/43; 285/304-321

See application file for complete search history.

(56) **References Cited**

U.S. PATENT DOCUMENTS

D172,372 S *	6/1954	Wagner	D23/235
D177,198 S *	3/1956	Irving	D23/248
3,344,785 A *	10/1967	Hamilton	604/6.1
D239,283 S *	3/1976	Villarl	D23/248
D257,286 S *	10/1980	Folkman	D24/129
D265,249 S *	6/1982	Halvorsen	D24/128
D279,407 S *	6/1985	Hubbard	D24/129
D329,495 S *	9/1992	Kotake	D24/129
5,174,611 A *	12/1992	Byrd et al.	285/45
5,181,508 A *	1/1993	Poole, Jr.	128/203.12
D357,307 S *	4/1995	Ramacier et al.	D23/262
D638,931 S *	5/2011	Graham et al.	D24/127
2009/0282896 A1	11/2009	Tapphorn et al.		

FOREIGN PATENT DOCUMENTS

CN	101579551 A	11/2009
DE	10 2008 024 123 B3	11/2009

EP	1 374 940 A2	1/2004
GB	2 272 296 A	5/1994
WO	2004108218 A1	12/2004

OTHER PUBLICATIONS

“Respiratory Humidification Products,” Fisher & Paykel Healthcare, 2005-2008.

* cited by examiner

Primary Examiner — Eric Goodman

(74) *Attorney, Agent, or Firm* — LeClairRyan, a Professional Corporation

(57) **CLAIM**

The ornamental design for a connector for tubing, as shown and described.

DESCRIPTION

FIG. 1 is a left perspective view from the back and bottom sides of a first embodiment of a connector for tubing.

FIG. 2 is a right perspective view from the back and bottom sides of the connector for tubing shown in FIG. 1.

FIG. 3 is a right side view of the connector for tubing shown in FIG. 1.

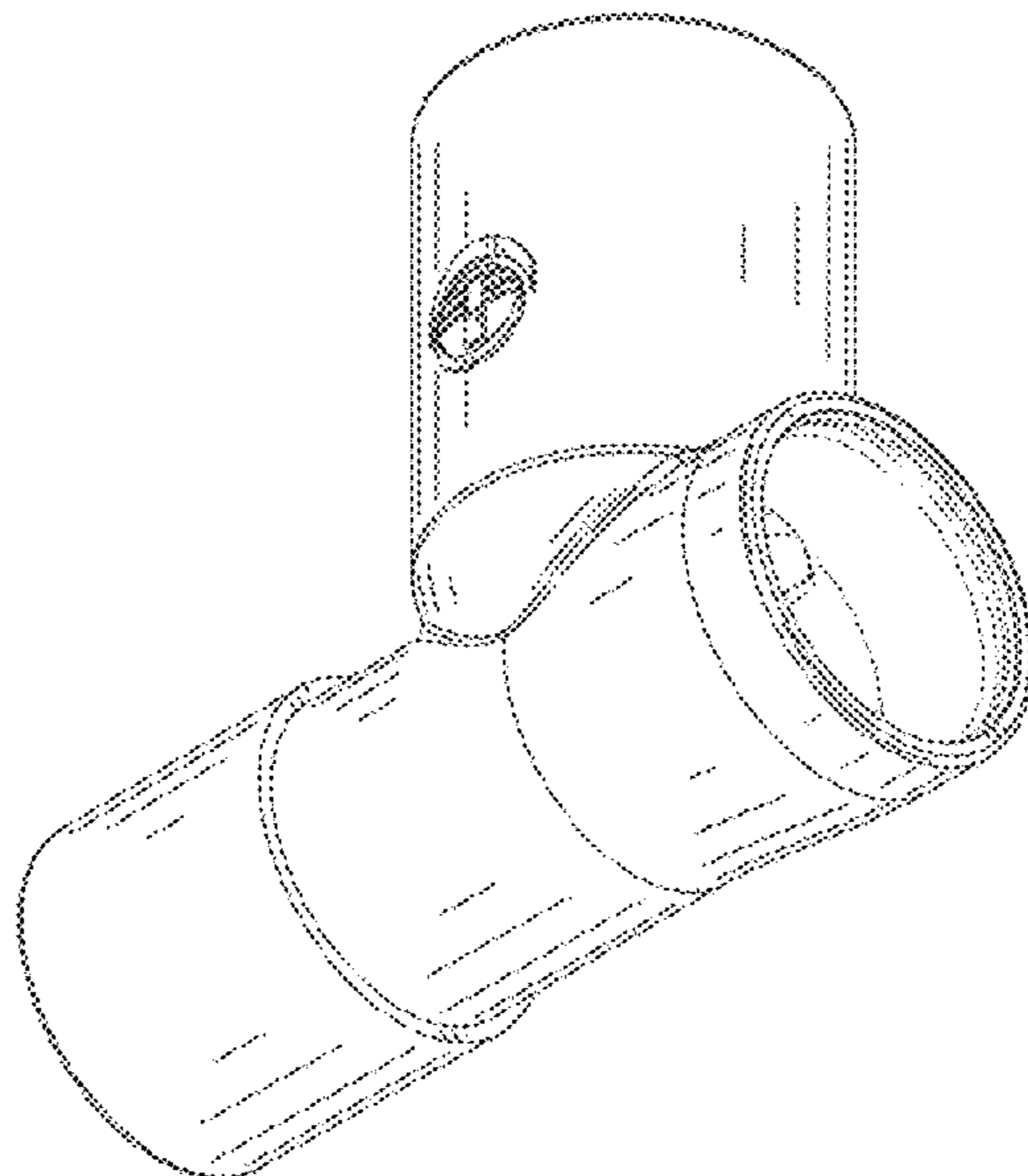
FIG. 4 is a front view of the connector for tubing shown in FIG. 1.

FIG. 5 is a left side view of the connector for tubing shown in FIG. 1; and,

FIG. 6 is a bottom view of the connector for tubing shown in FIG. 1.

The designations of the views below as top, bottom, right side, left side, front, and back are for ease of discussion only and are not intended to limit the connector for tubing to one particular orientation. Broken lines are used in the drawings to show features of the invention that are included for the purpose of illustrating portions of the article, but form no part of the claimed design.

1 Claim, 6 Drawing Sheets



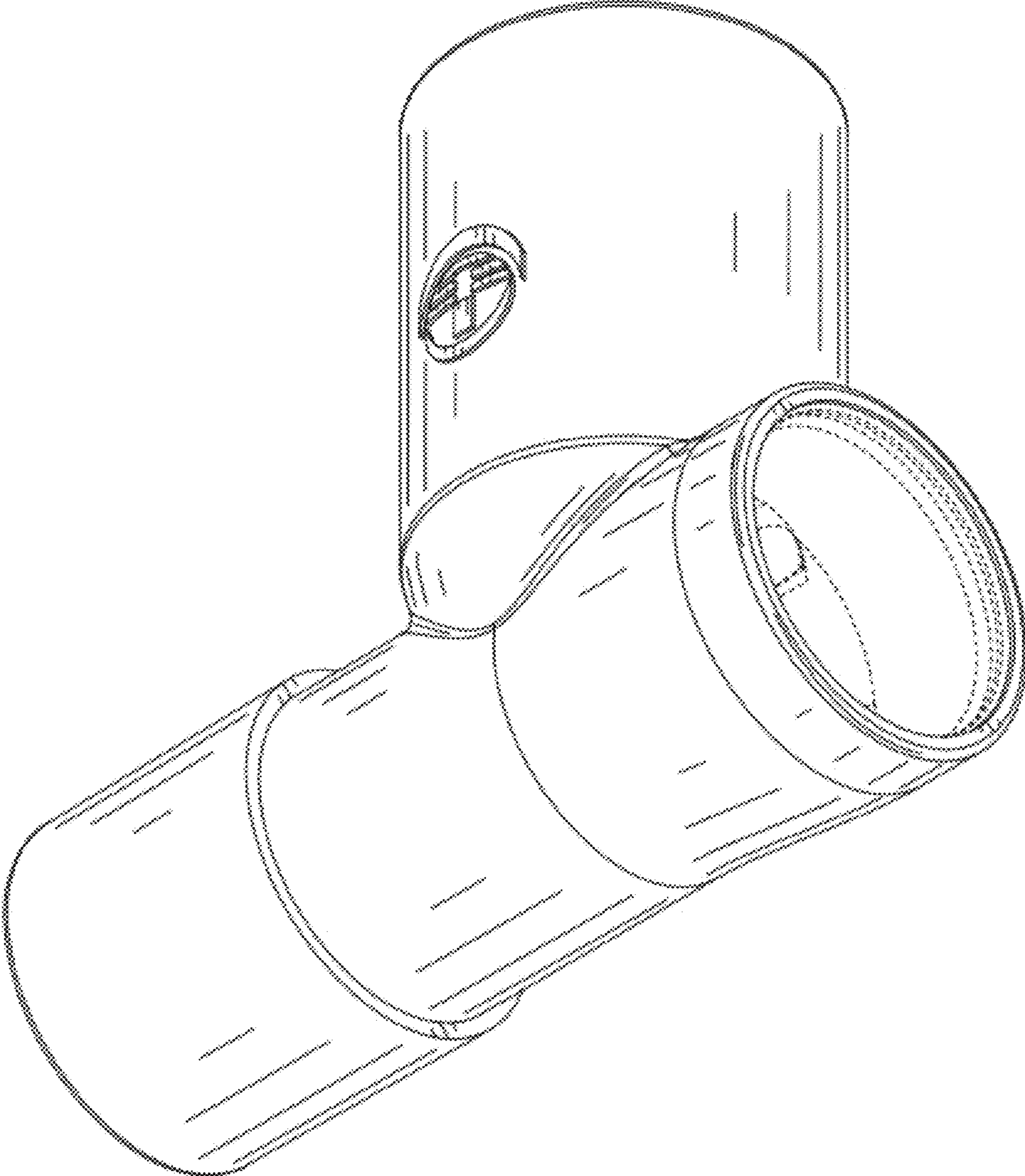


FIG. 1

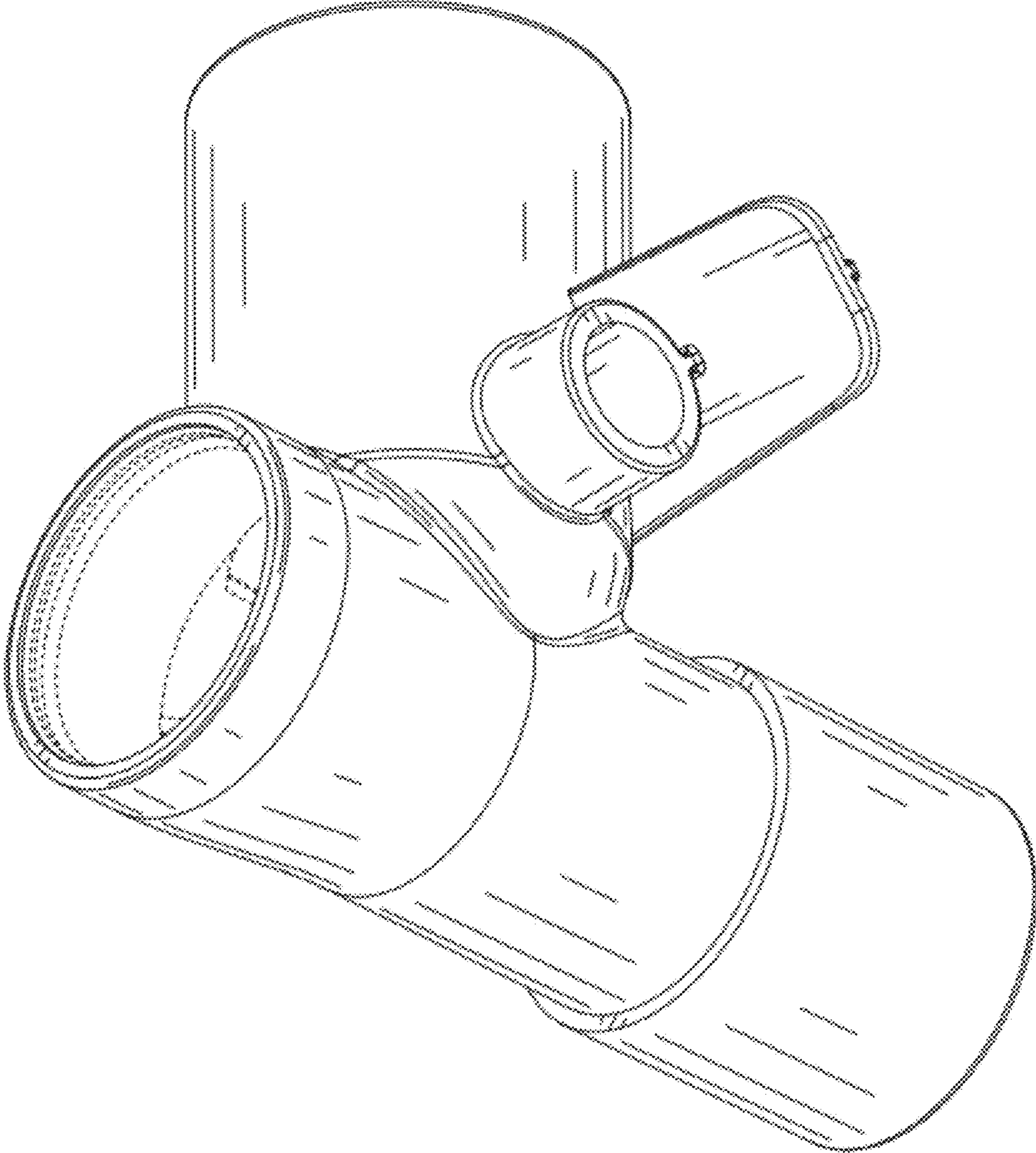


FIG. 2

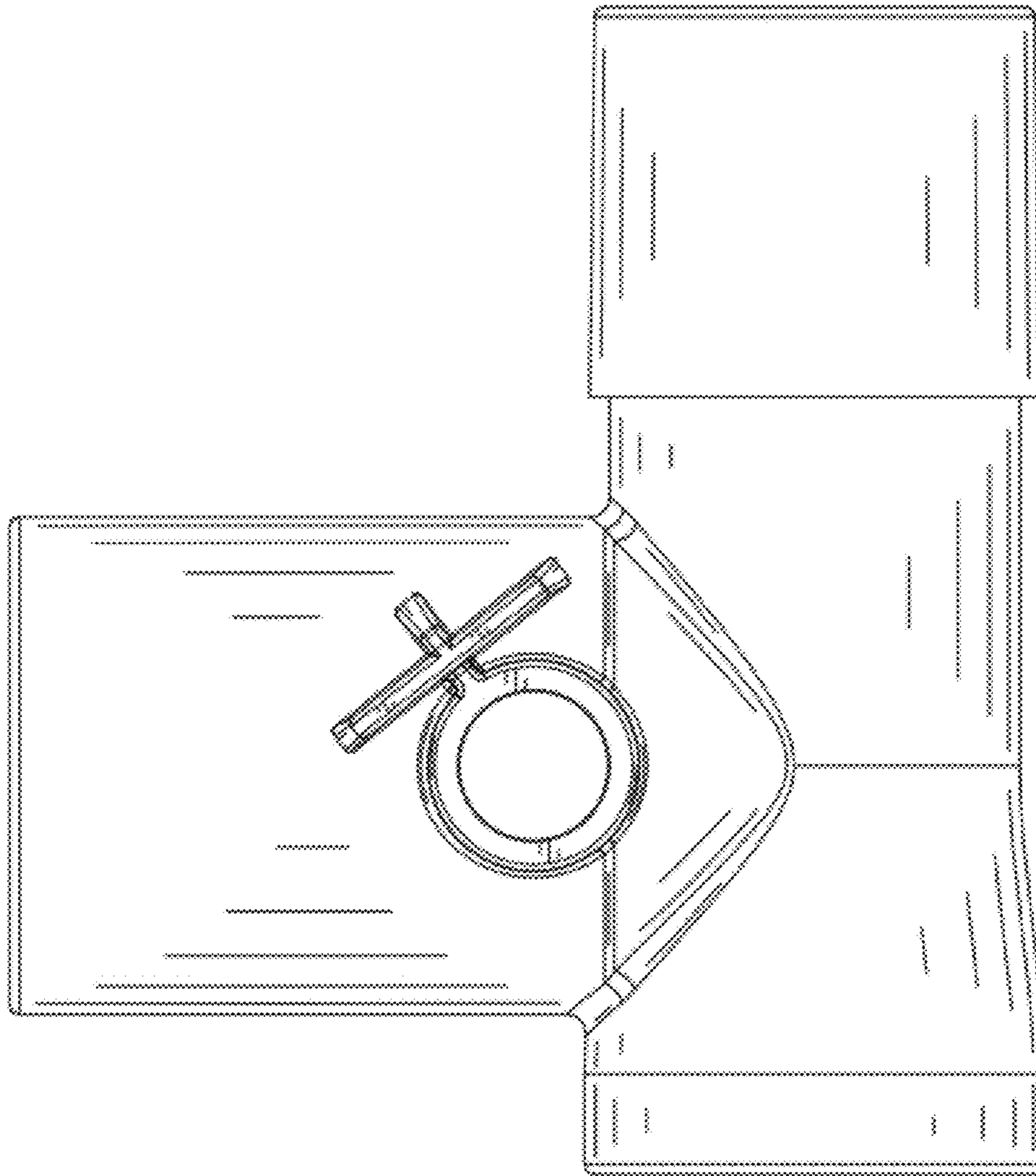


FIG. 3

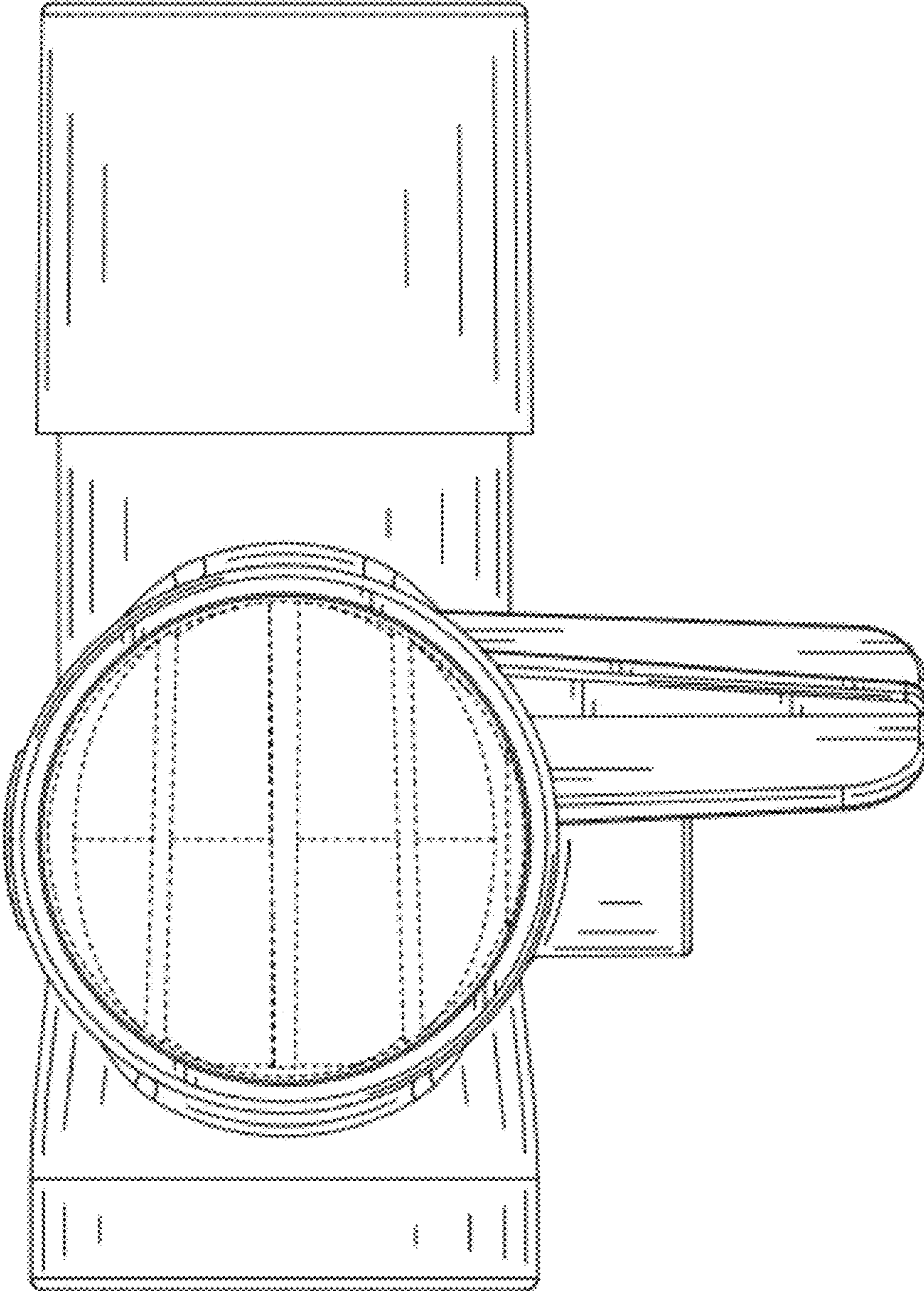


FIG. 4

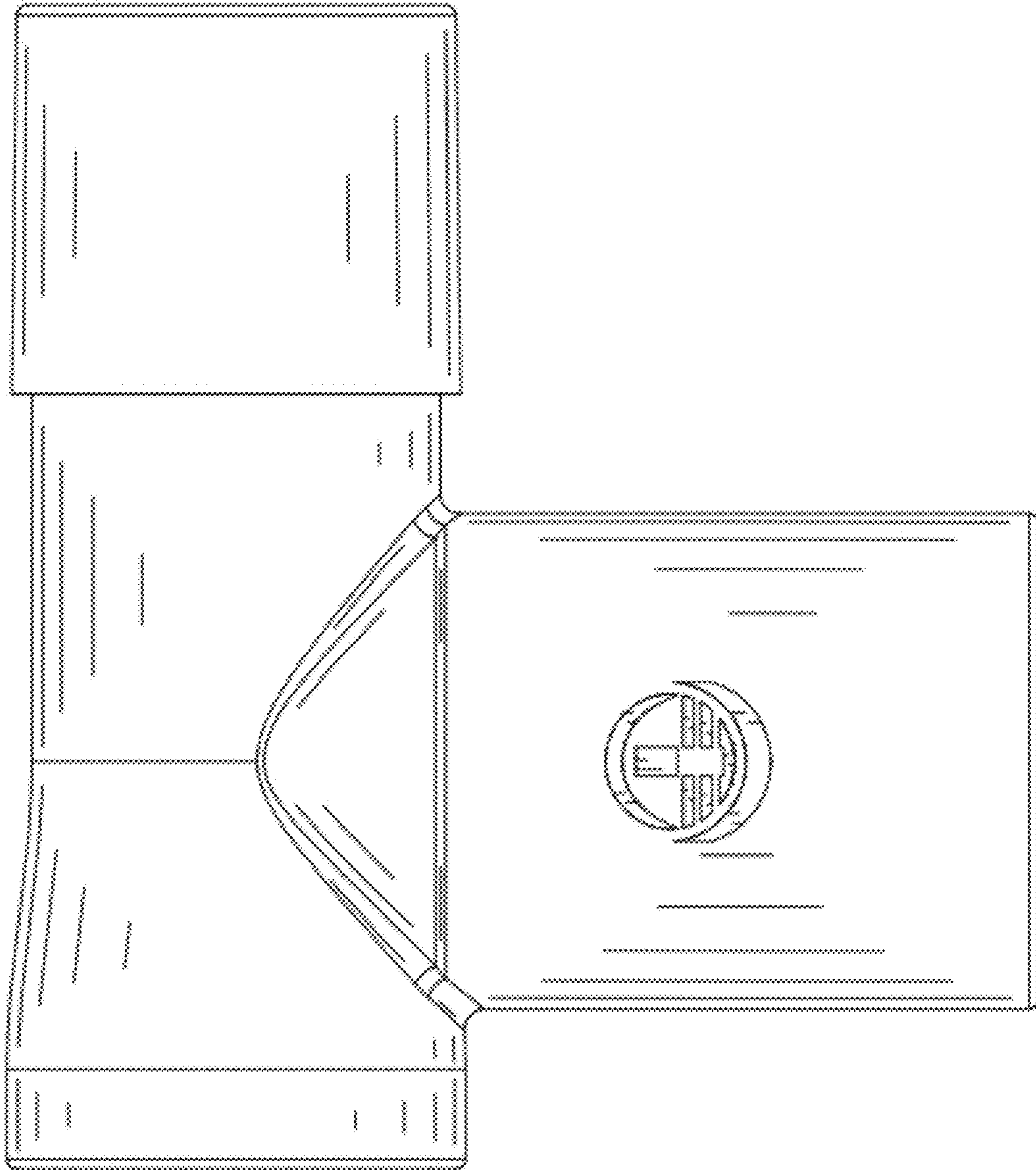


FIG. 5

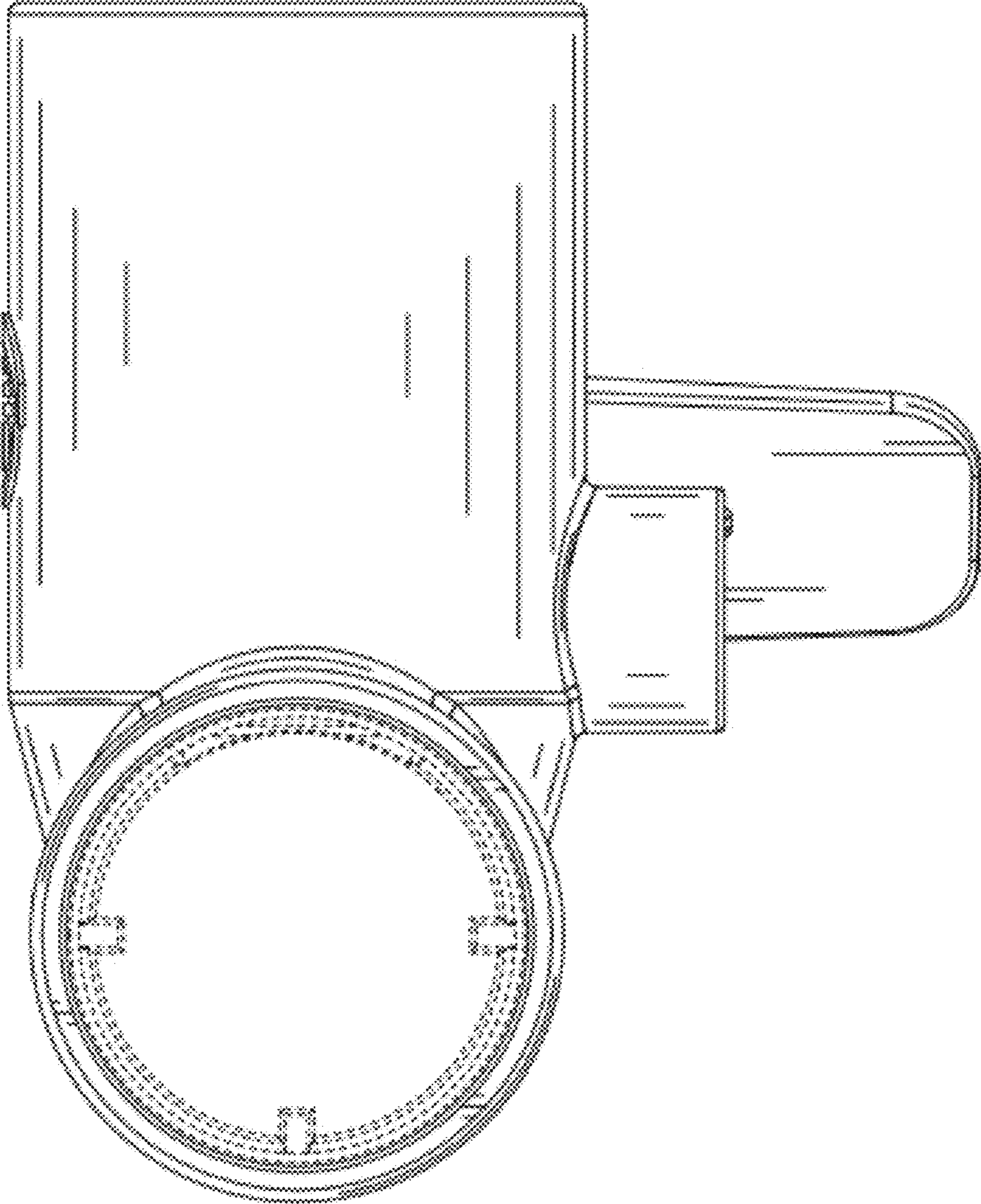


FIG. 6