



US00D672024S

(12) **United States Design Patent**
Fitton et al.

(10) **Patent No.:** **US D672,024 S**
(45) **Date of Patent:** **** Dec. 4, 2012**

(54) **FAN**
(75) Inventors: **Nicholas Gerald Fitton**, Malmesbury (GB); **Kevin John Simmonds**, Malmesbury (GB)
(73) Assignee: **Dyson Limited**, Malmesbury (GB)
(**) Term: **14 Years**
(21) Appl. No.: **29/385,558**
(22) Filed: **Feb. 16, 2011**

D429,808 S 8/2000 Krauss et al.
6,123,618 A 9/2000 Day
D435,899 S 1/2001 Melwani
D485,895 S 1/2004 Melwani
6,722,859 B1 4/2004 Chen
6,817,830 B1 11/2004 Chen
D508,120 S 8/2005 Chen
D539,414 S 3/2007 Russak et al.
D567,350 S 4/2008 Hidalgo et al.
D581,037 S 11/2008 Dyson et al.
D598,532 S 8/2009 Dyson et al.
D602,143 S 10/2009 Gammack et al.
D602,144 S 10/2009 Dyson et al.
D605,748 S 12/2009 Gammack et al.
D614,280 S 4/2010 Dyson et al.

(Continued)

(30) **Foreign Application Priority Data**

Sep. 11, 2010 (GB) 4016991
(51) **LOC (9) Cl.** **23-04**
(52) **U.S. Cl.** **D23/370**
(58) **Field of Classification Search** D6/309;
D13/179; D23/370-386, 411-414; 165/80.3,
165/120-122, 900; 310/12.13, 26, 52, 58,
310/60 A, 60 R, 61-65, 112, 125, 156.35-156.37,
310/157, 211, 261.1, 266, 268; 361/679.48,
361/694-697; 392/365, 373, 382, 383; 415/60,
415/66, 68, 175-178, 206, 208.1, 211.2,
415/213.1, 214.1, 215.1; 416/179, 185, 186 R,
416/187, 244 R, 246, 247 R
See application file for complete search history.

FOREIGN PATENT DOCUMENTS

DE 1 291 090 3/1969
(Continued)

OTHER PUBLICATIONS

Gammack et al., U.S. Office Action mailed Jun. 15, 2009, directed to U.S. Appl. No. 29/328,939; (5 pages).

Primary Examiner — Garth Rademaker
(74) *Attorney, Agent, or Firm* — Morrison & Foerster LLP

(57) **CLAIM**
We claim the ornamental design for a fan, as shown and described.

(56) **References Cited**

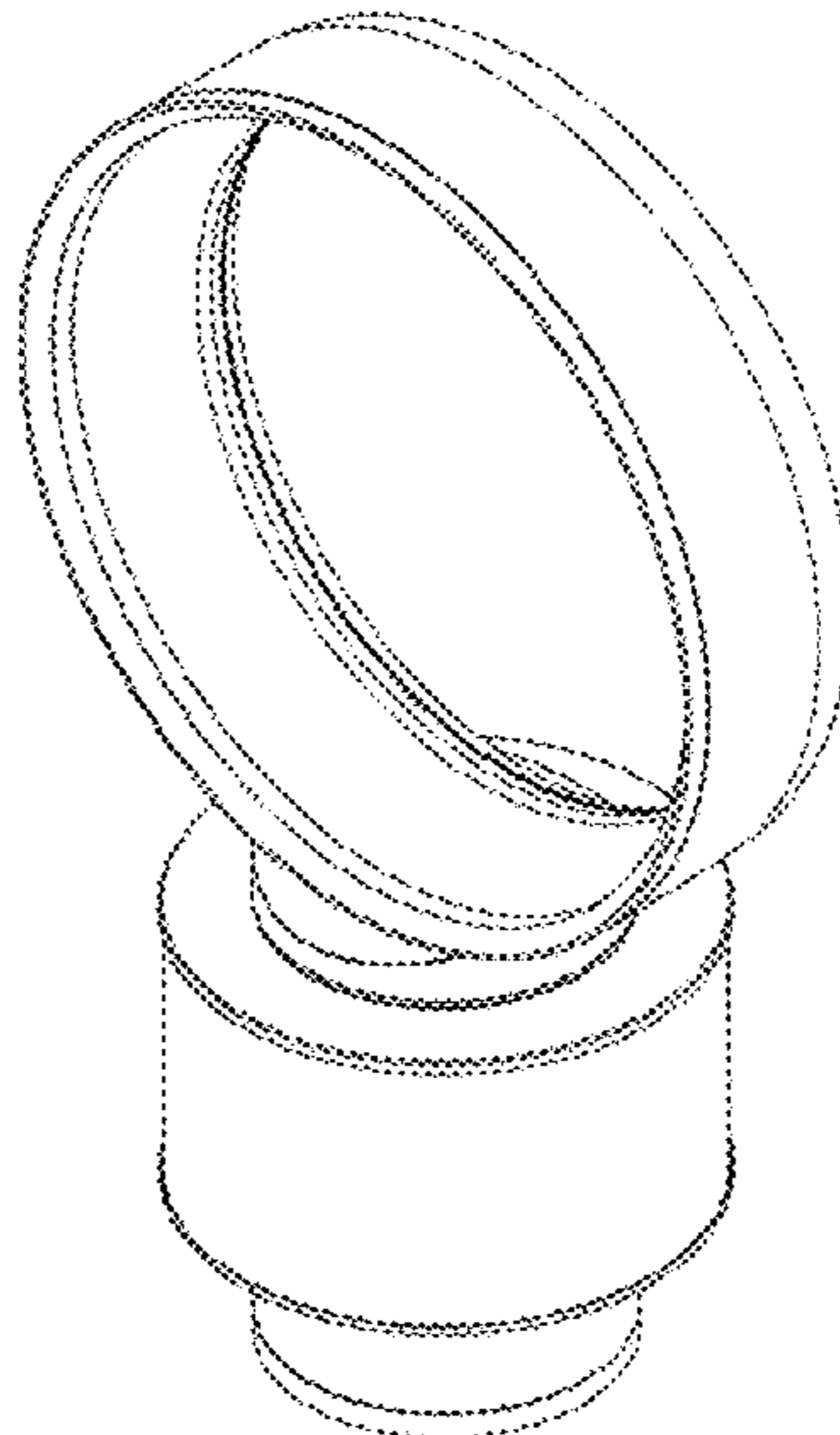
U.S. PATENT DOCUMENTS

1,767,060 A 6/1930 Ferguson
D103,476 S 3/1937 Weber
D115,344 S 6/1939 Chapman
2,433,795 A 12/1947 Stokes
2,488,467 A 11/1949 De Lisio
D206,973 S 2/1967 De Lisio
5,881,685 A 3/1999 Foss et al.
D415,271 S 10/1999 Feer
6,073,881 A 6/2000 Chen

DESCRIPTION

FIG. 1 is a perspective view of a fan showing our new design;
FIG. 2 is a front view thereof;
FIG. 3 is a rear view thereof;
FIG. 4 is a side view thereof;
FIG. 5 is an opposite side view thereof;
FIG. 6 is a top plan view thereof; and,
FIG. 7 is a bottom plan view thereof.

1 Claim, 6 Drawing Sheets



US D672,024 S

Page 2

U.S. PATENT DOCUMENTS

8,052,379	B2 *	11/2011	Gammack	415/126
8,092,166	B2 *	1/2012	Nicolas et al.	415/209.2
2009/0060710	A1	3/2009	Gammack et al.	
2009/0060711	A1	3/2009	Gammack et al.	
2010/0254800	A1 *	10/2010	Fitton et al.	415/90
2011/0236228	A1 *	9/2011	Fitton et al.	417/234

FOREIGN PATENT DOCUMENTS

DE	19510397	9/1996
GB	1501473	2/1978
GB	2236804	4/1991
GB	2242935	10/1991
JP	56-167897	12/1981

* cited by examiner

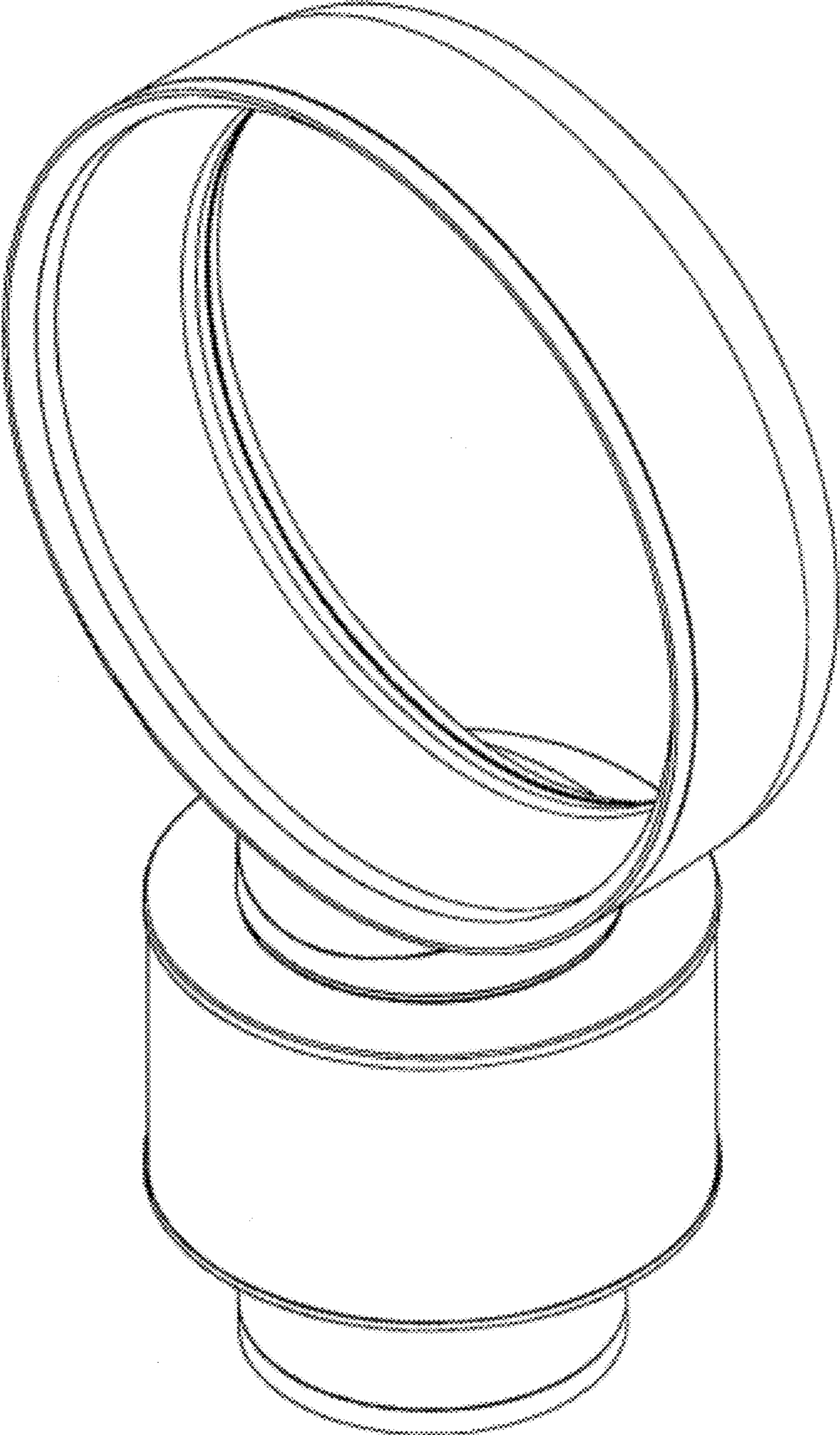


FIG. 1

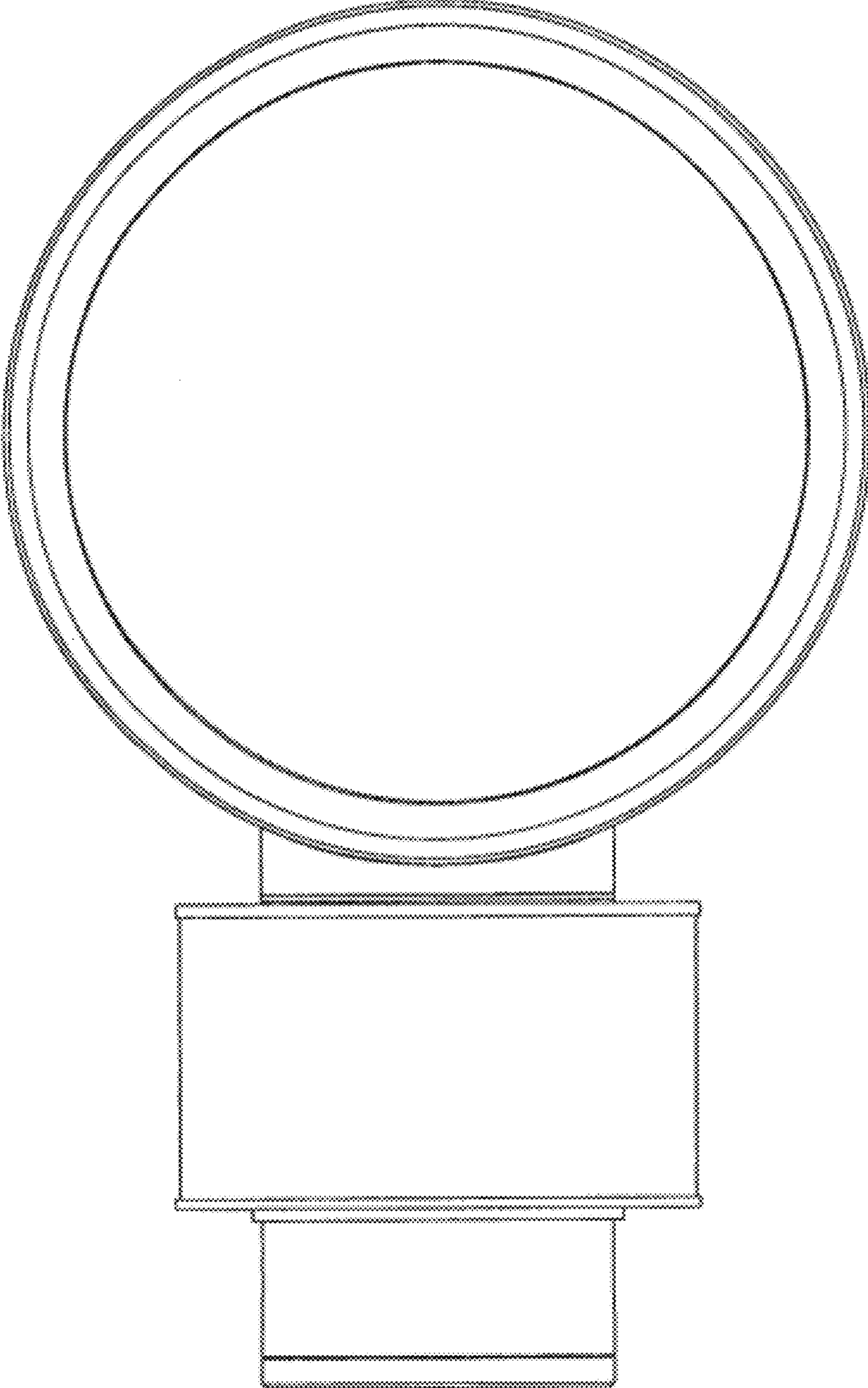


FIG. 2

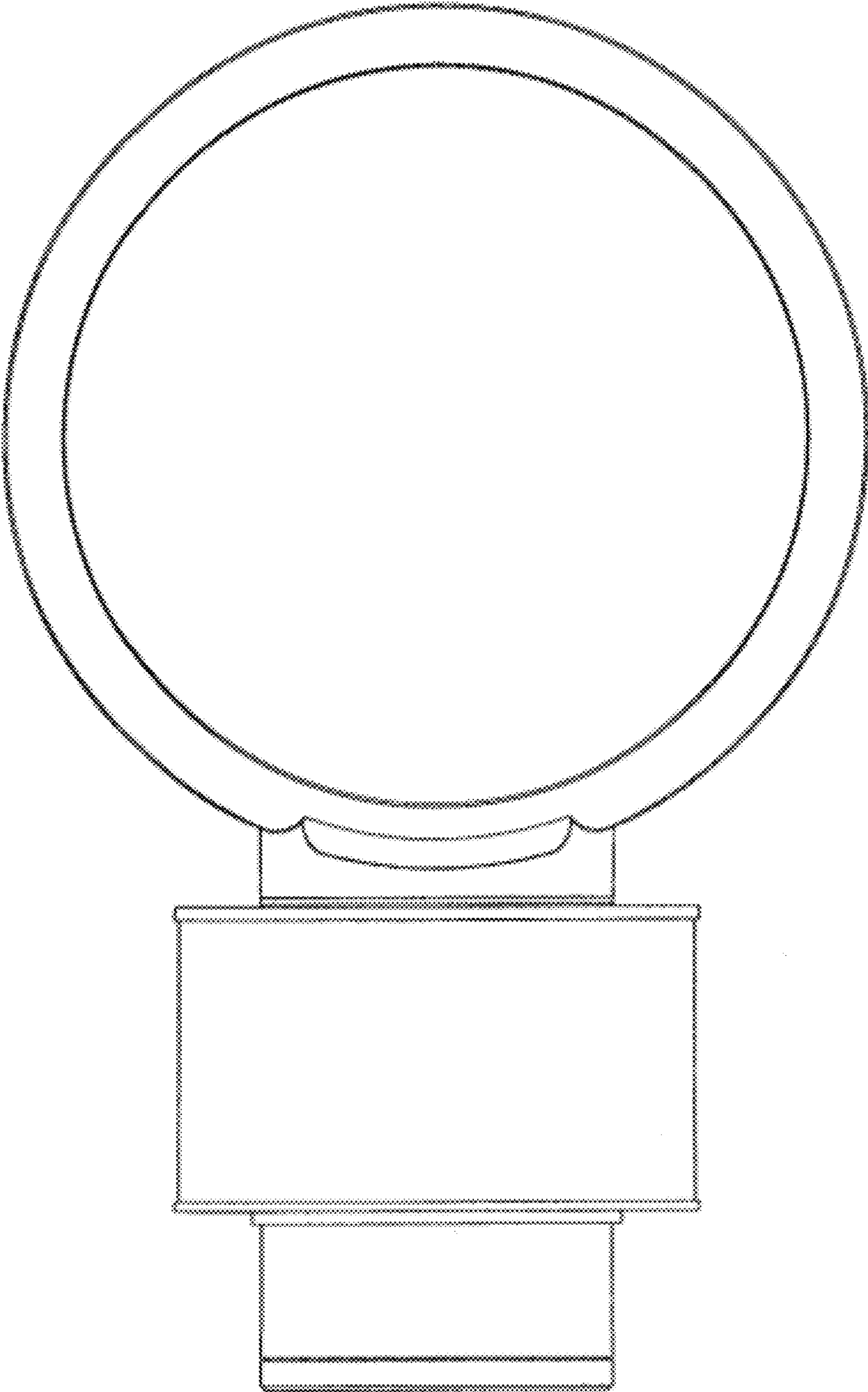


FIG. 3

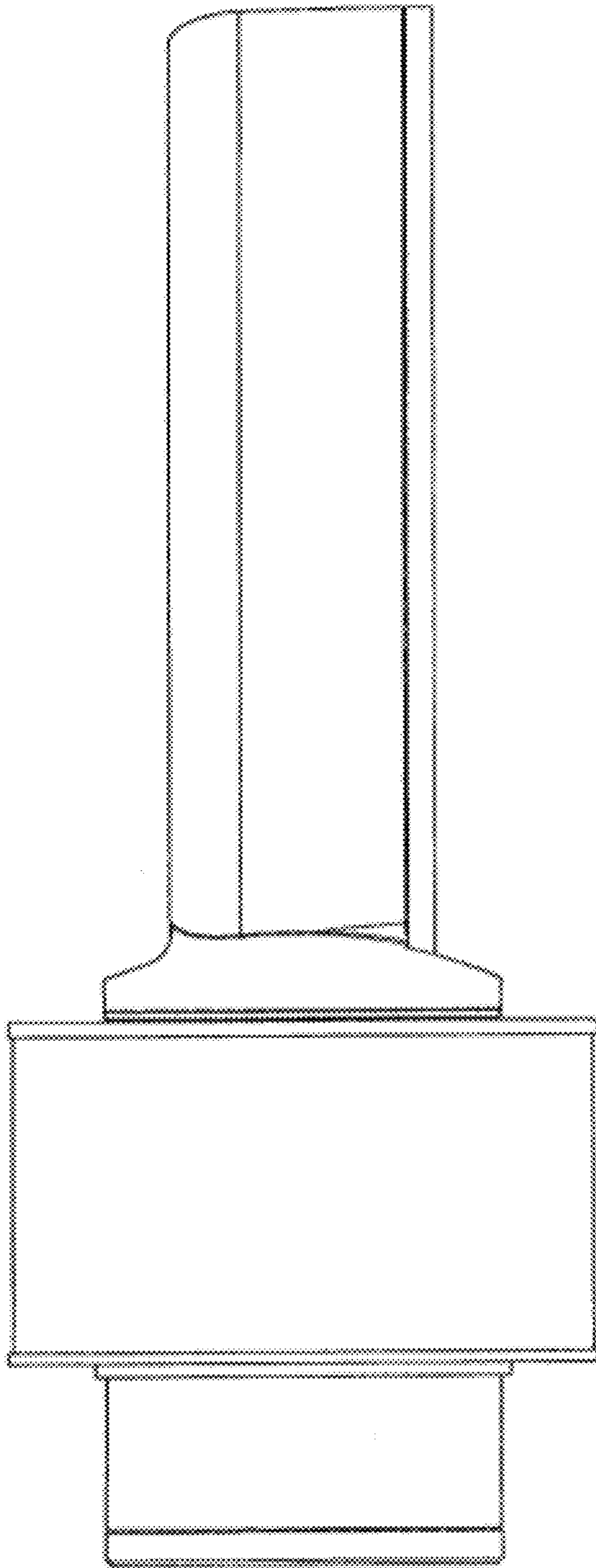


FIG. 4

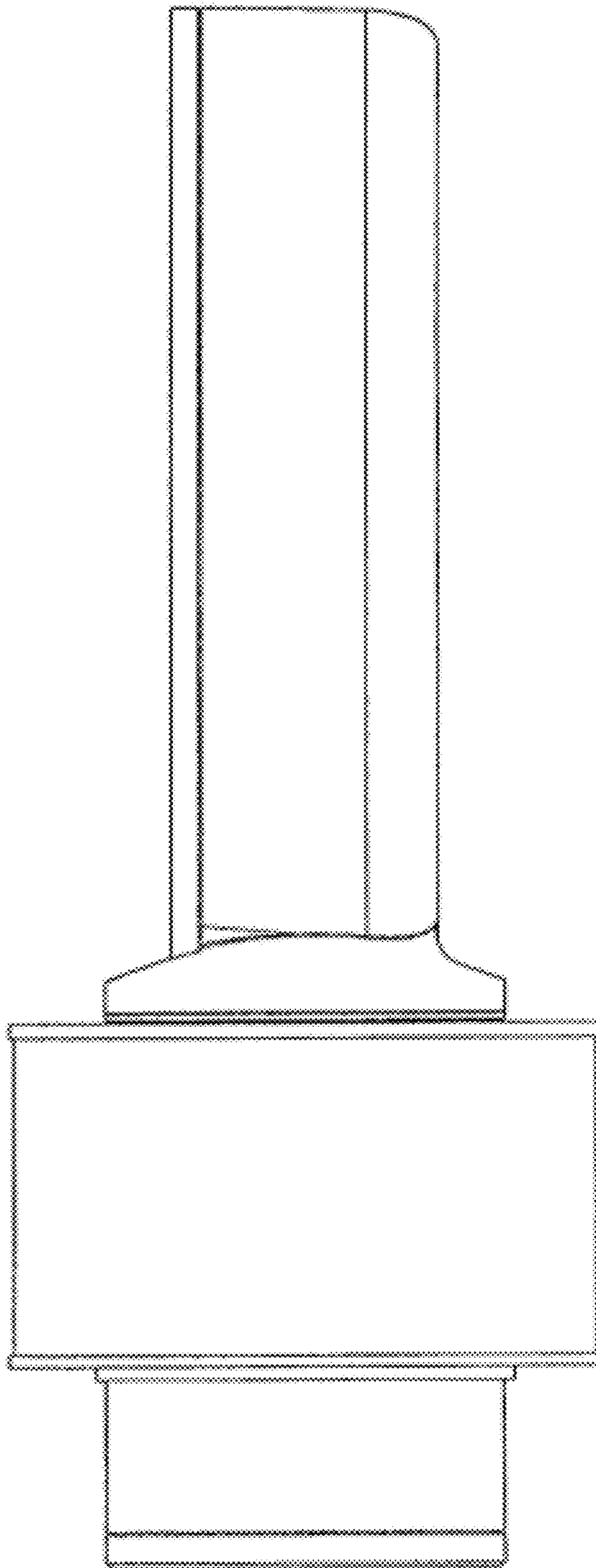


FIG. 5

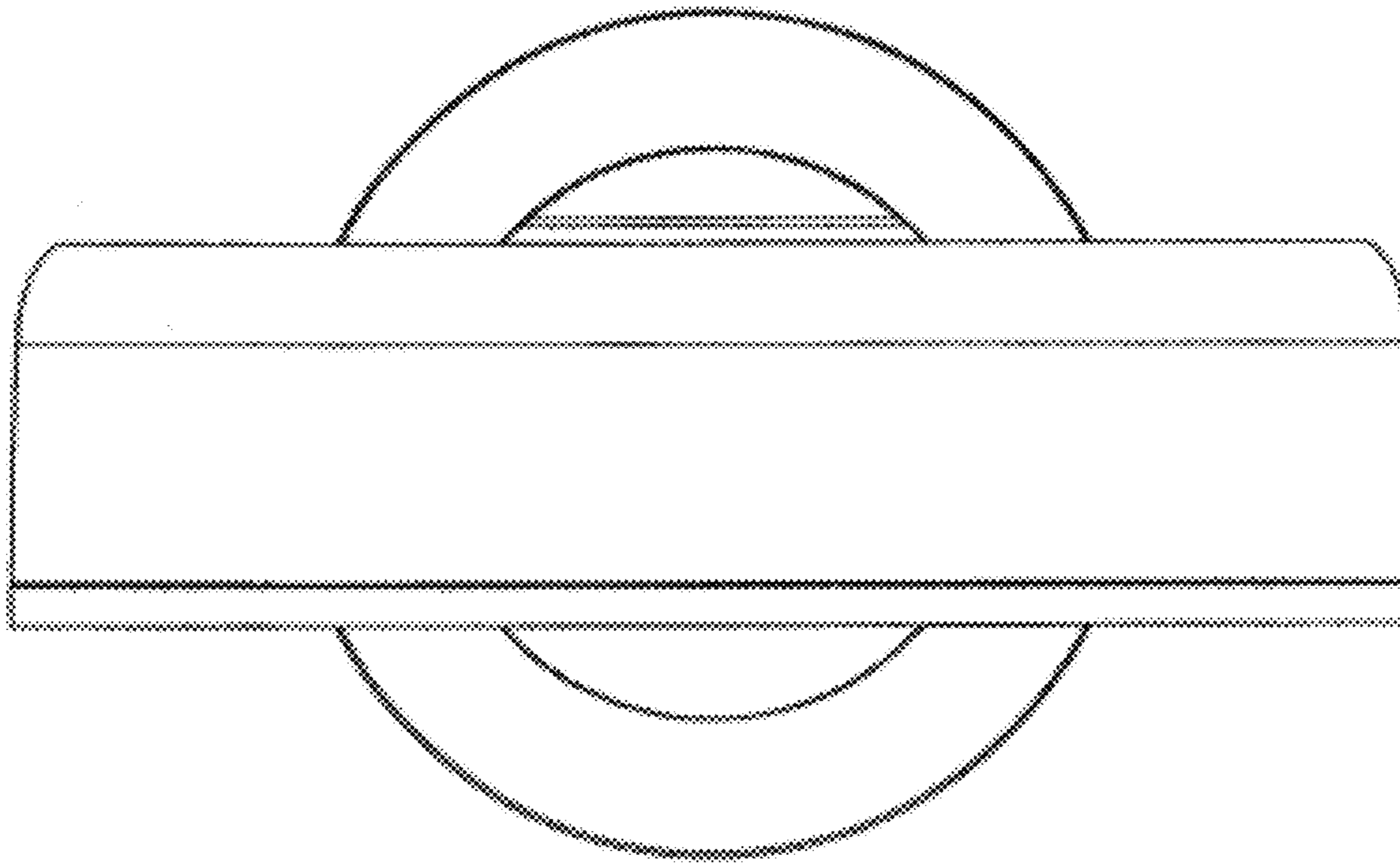


FIG. 6

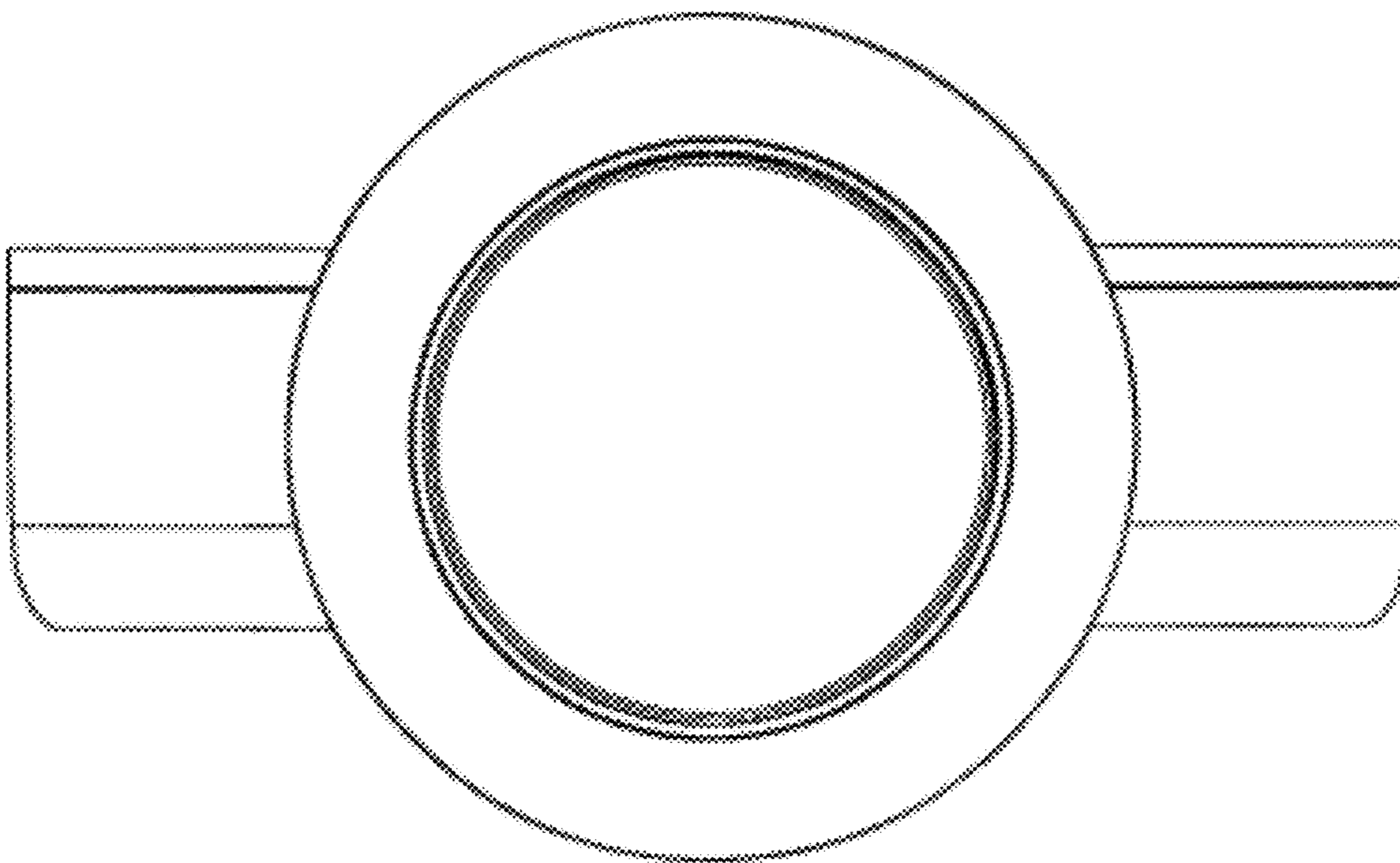


FIG. 7