



US00D672023S

(12) **United States Design Patent**
Wallace et al.

(10) **Patent No.:** **US D672,023 S**
(45) **Date of Patent:** **** Dec. 4, 2012**

(54) **FAN HEATER**

(75) Inventors: **John David Wallace**, Malmesbury (GB);
Chang Hin Choong, Johor Bahru (MY)

(73) Assignee: **Dyson Technology Limited**,
Malmesbury (GB)

(**) Term: **14 Years**

(21) Appl. No.: **29/385,535**

(22) Filed: **Feb. 15, 2011**

(30) **Foreign Application Priority Data**

Sep. 1, 2010 (GB) 4016849

(51) **LOC (9) Cl.** **23-04**

(52) **U.S. Cl.** **D23/370; D23/332; D23/378**

(58) **Field of Classification Search** D6/309;
D13/179; D23/370-386, 411-414, 328,
D23/330, 332, 333, 335-337, 341; 165/80.3,
165/120-122, 900; 310/12.13, 26, 52, 58,
310/60 A, 60 R, 61-65, 112, 125, 156.35-156.37,
310/157, 211, 261.1, 266, 268; 361/679.48,
361/694-697; 392/365, 373, 382, 383; 415/60,
415/66, 68, 175-178, 206, 208.1, 211.2,
415/213.1, 214.1, 215.1; 416/179, 185, 186 R,
416/187, 244 R, 246, 247 R

See application file for complete search history.

(56) **References Cited**

U.S. PATENT DOCUMENTS

D60,215 S 1/1922 Carmean et al.
D66,523 S 1/1925 Wolter
D289,547 S 4/1987 Nakamura
D539,414 S 3/2007 Russak et al.
D545,951 S 7/2007 Bucher et al.

D578,630 S 10/2008 Shapiro
D593,662 S 6/2009 Chen
D598,532 S 8/2009 Dyson et al.
D602,143 S 10/2009 Gammack et al.
D602,144 S 10/2009 Dyson et al.
D604,814 S 11/2009 Lee
D633,997 S 3/2011 Hideharu et al.
D633,998 S 3/2011 Hideharu et al.
D633,999 S 3/2011 Hideharu et al.
D634,836 S 3/2011 Lewis
D636,473 S 4/2011 Kim et al.
7,931,449 B2 4/2011 Fitton et al.
D638,114 S 5/2011 Li et al.
D643,098 S 8/2011 Wallace et al.
2010/0226797 A1* 9/2010 Fitton et al. 417/313
2012/0031509 A1* 2/2012 Wallace et al. 137/338
2012/0033952 A1* 2/2012 Wallace et al. 392/367
2012/0034108 A1* 2/2012 Wallace et al. 417/313

* cited by examiner

Primary Examiner — Garth Rademaker

(74) *Attorney, Agent, or Firm* — Morrison & Foerster LLP

(57) **CLAIM**

We claim the ornamental design for a fan heater, as shown and described.

DESCRIPTION

FIG. 1 is a front perspective view of a fan heater showing our new design;

FIG. 2 is a side view thereof;

FIG. 3 is an opposite side view thereof;

FIG. 4 is a top plan view thereof;

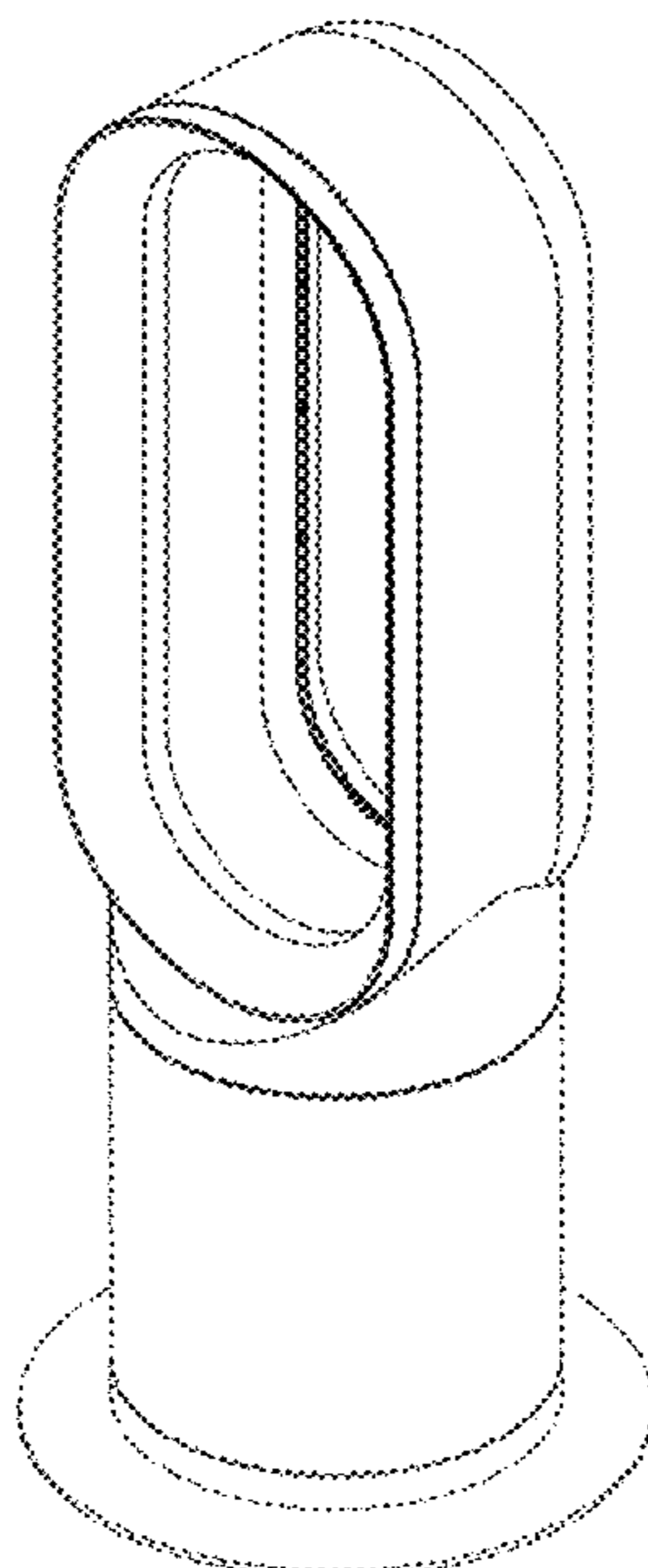
FIG. 5 is a bottom plan view thereof;

FIG. 6 is a front view thereof; and,

FIG. 7 is a rear view thereof.

The details shown in broken lines illustrate a base of the fan heater and form no part of the claimed design.

1 Claim, 6 Drawing Sheets



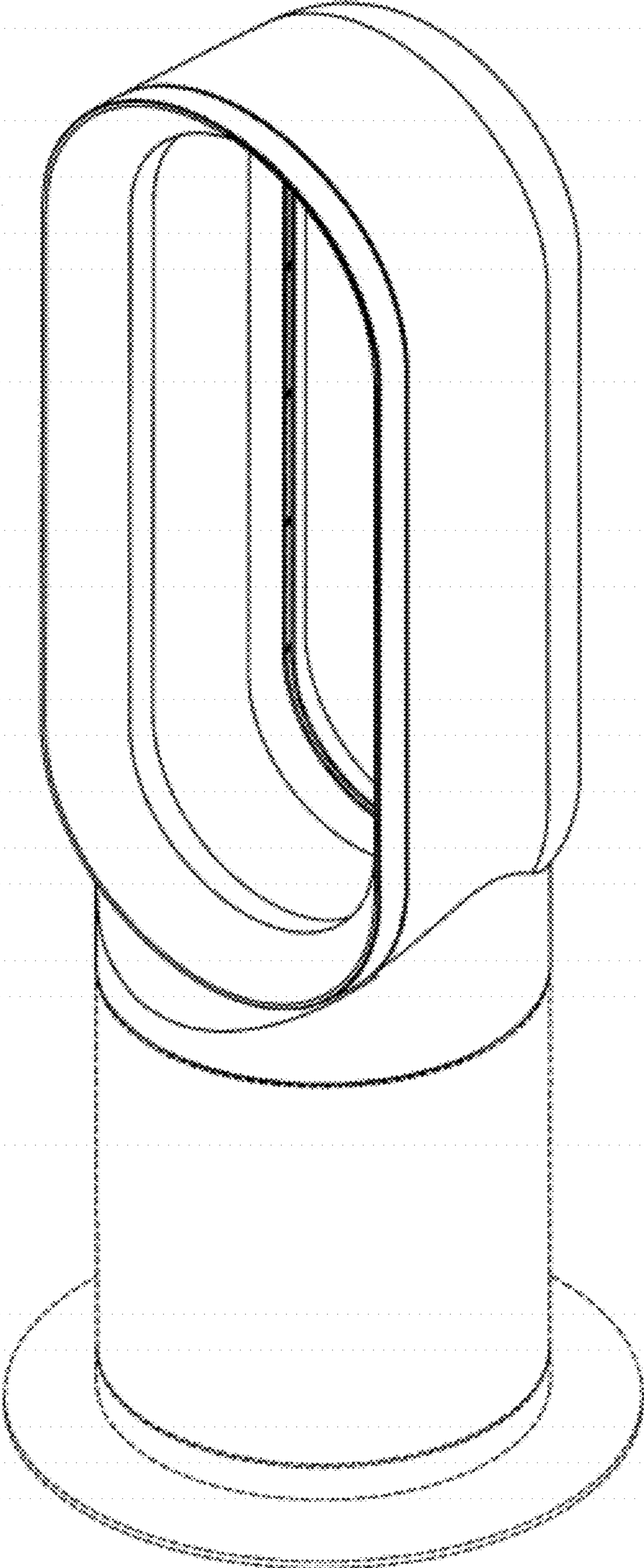


FIG. 1

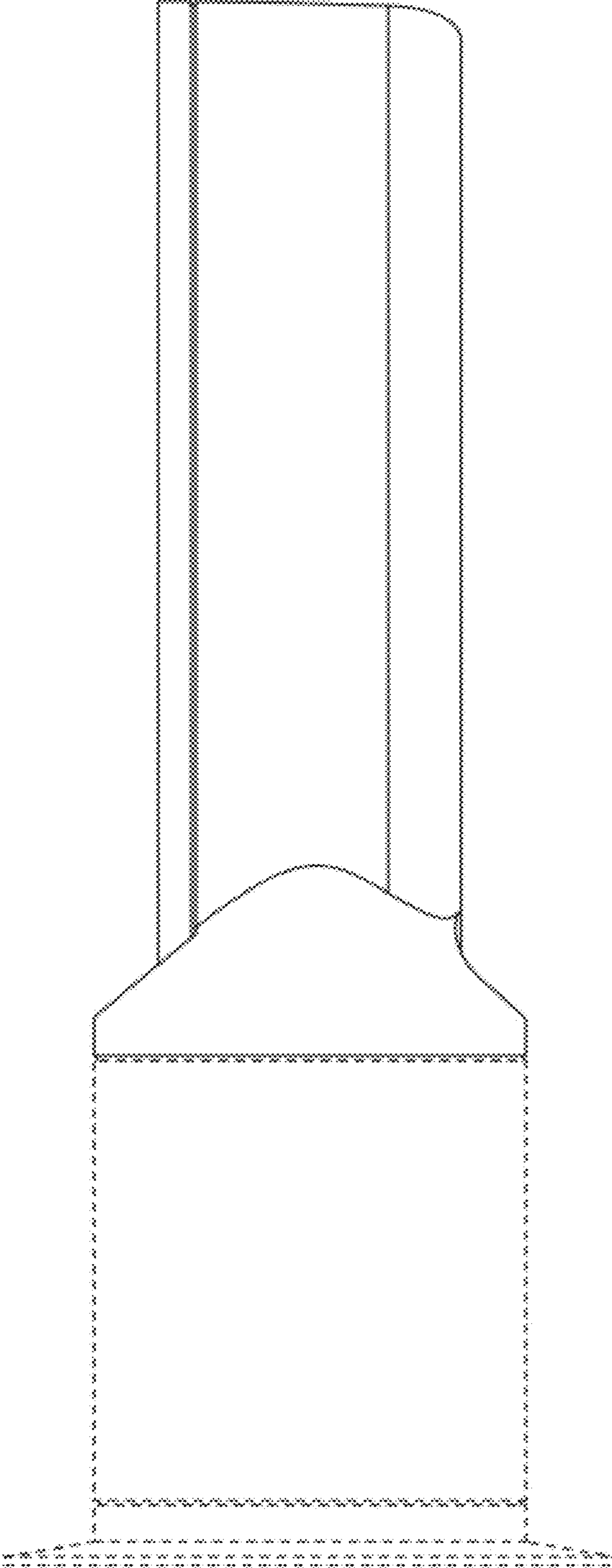


FIG. 2

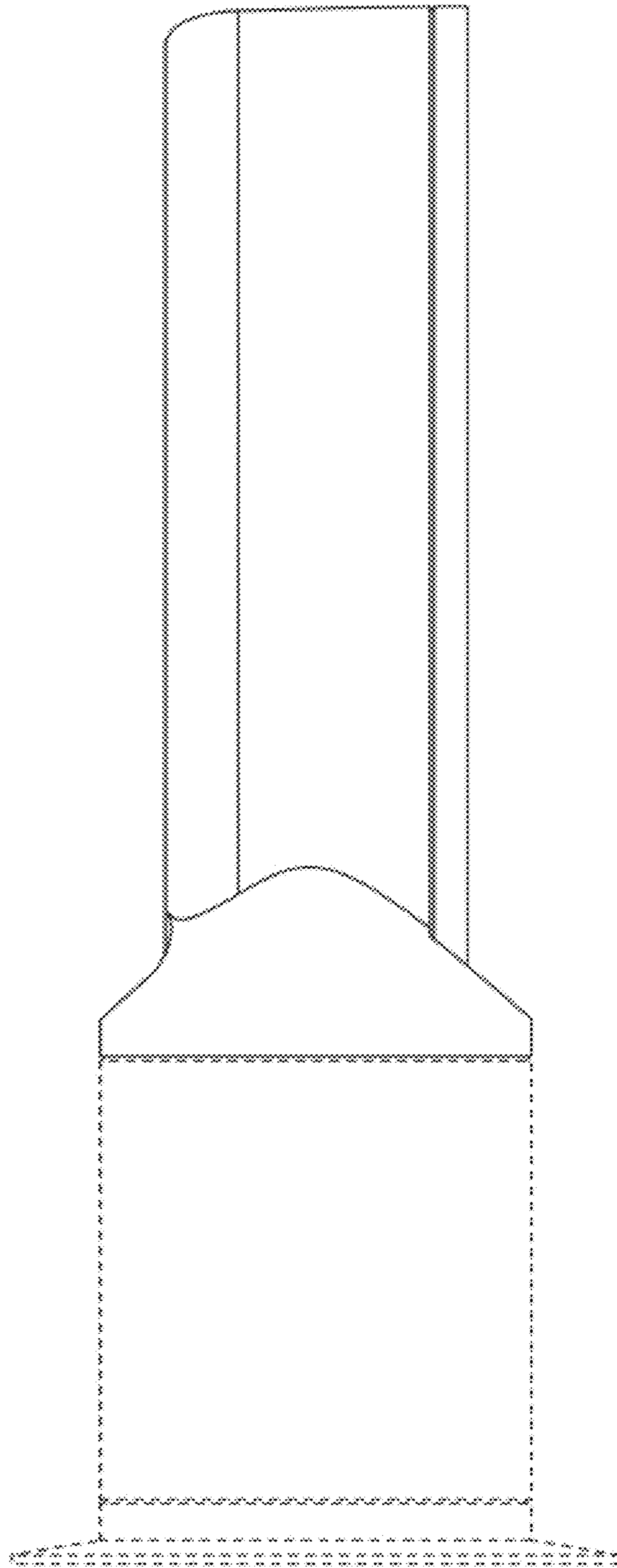


FIG. 3

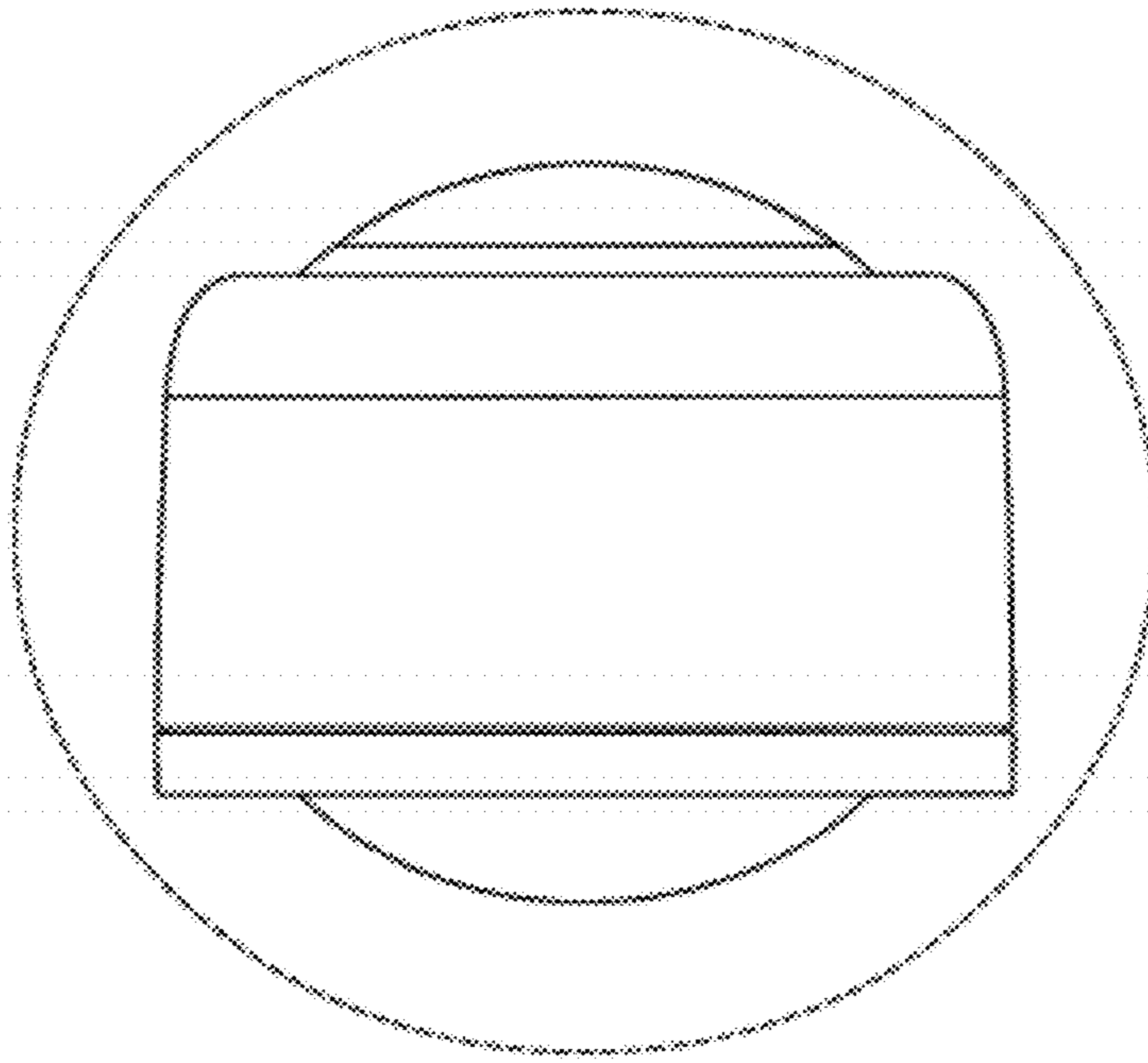


FIG. 4

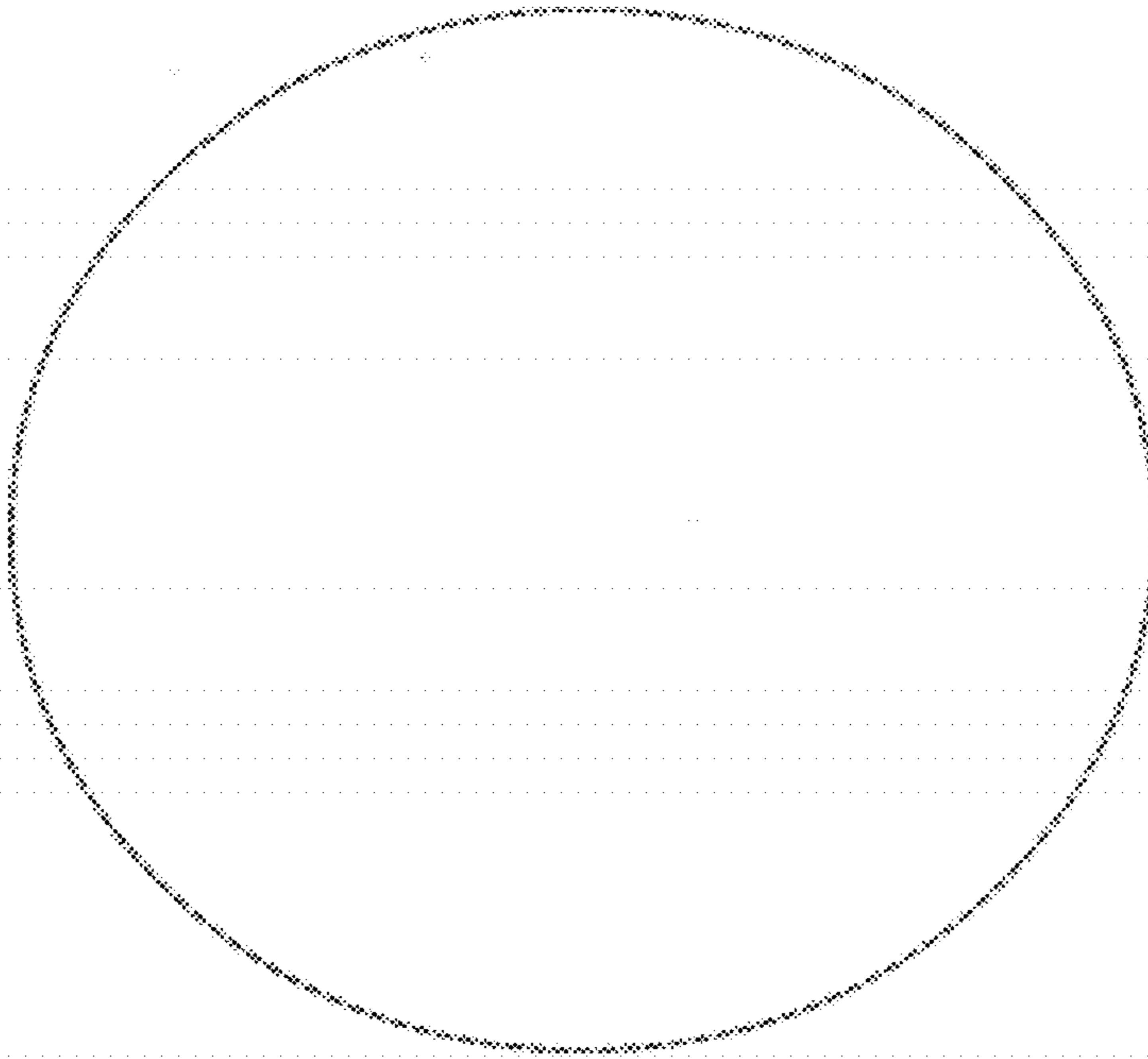


FIG. 5

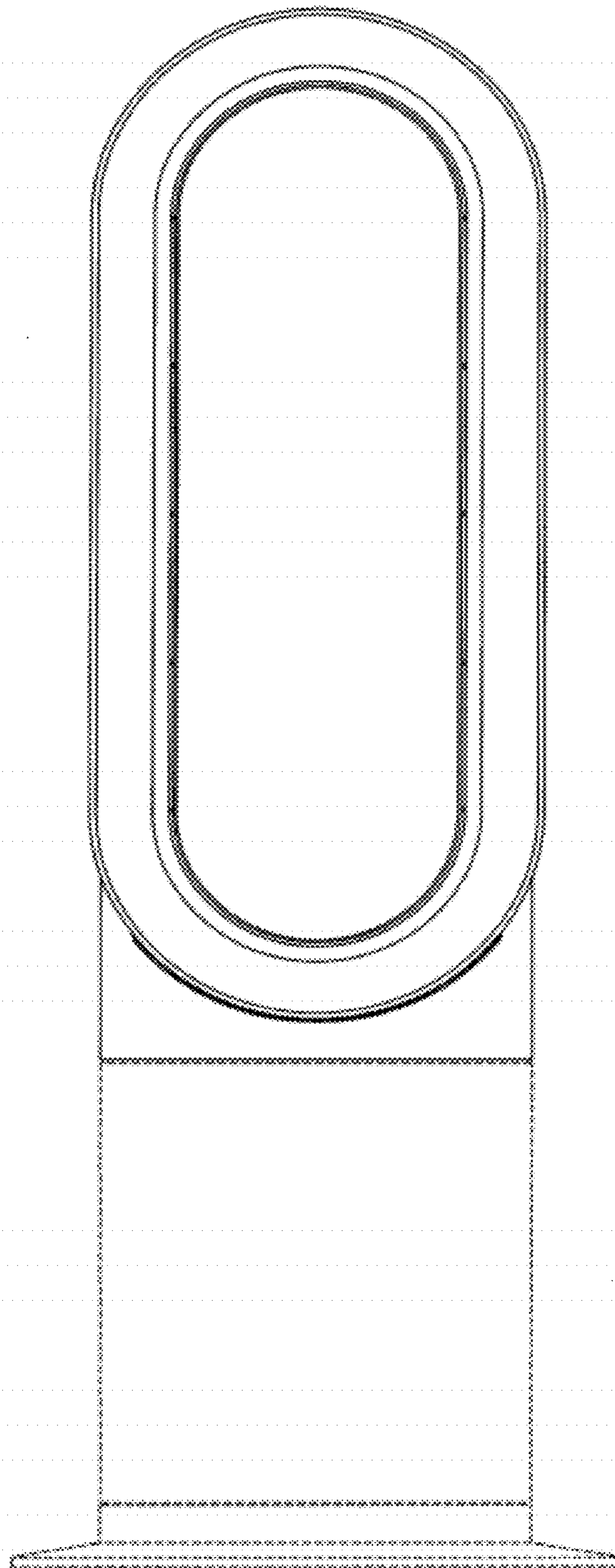


FIG. 6

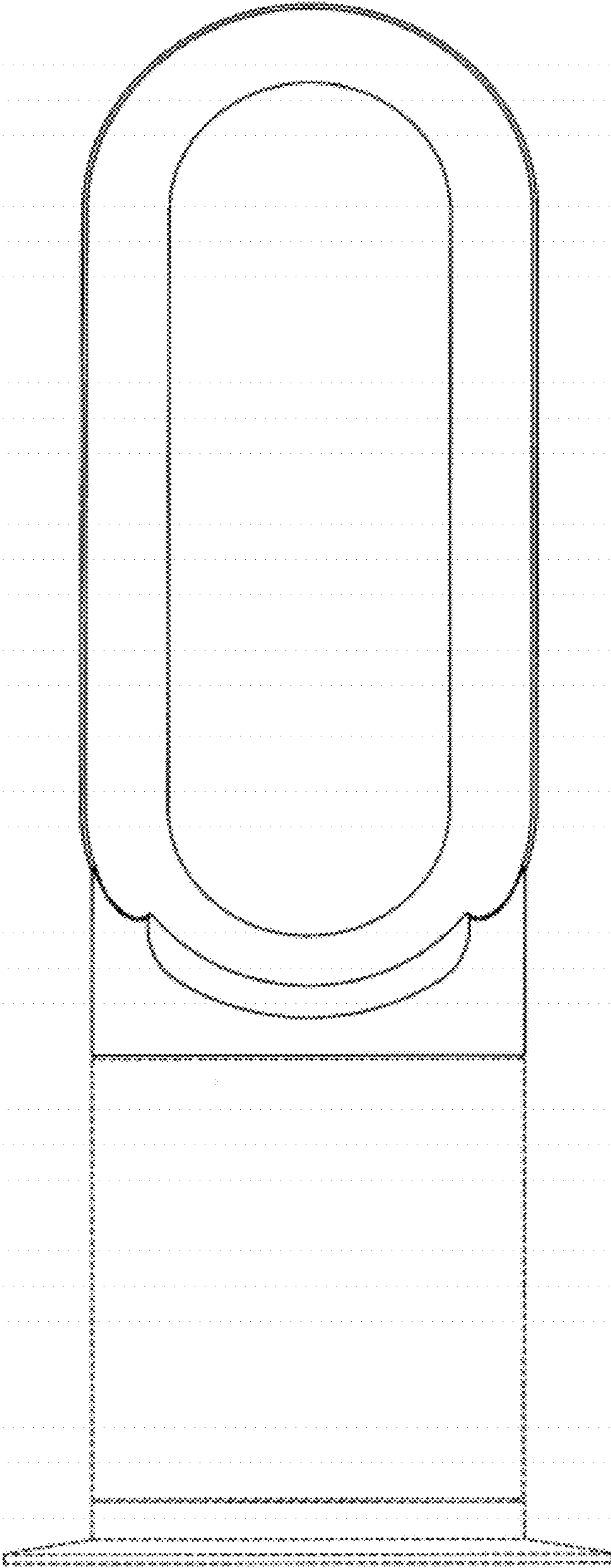


FIG. 7