



US00D672021S

(12) **United States Design Patent**
Bradford

(10) **Patent No.:** **US D672,021 S**

(45) **Date of Patent:** **** Dec. 4, 2012**

(54) **TOILET**

(75) Inventor: **Todd Michael Bradford**, Orrville, OH (US)

(73) Assignee: **Niagara Conservation Corp.**, Cedar Knolls, NJ (US)

(**) Term: **14 Years**

(21) Appl. No.: **29/404,843**

(22) Filed: **Oct. 26, 2011**

(51) **LOC (9) Cl.** **23-02**

(52) **U.S. Cl.** **D23/301**

(58) **Field of Classification Search** D23/295,
D23/301, 303, 309, 313; 4/300, 333, 353,
4/420, 443

See application file for complete search history.

(56) **References Cited**

U.S. PATENT DOCUMENTS

D472,619 S * 4/2003 Kawamura et al. D23/301

D621,013 S * 8/2010 Bucher D23/301

D621,488 S * 8/2010 Bucher D23/301

* cited by examiner

Primary Examiner — Robert Delehanty

(74) *Attorney, Agent, or Firm* — Lerner, David, Littenberg, Krumholz & Mentlik, LLP

(57) **CLAIM**

I claim the ornamental design for a toilet, as shown and described.

DESCRIPTION

FIG. 1 is a side perspective view of a toilet in accordance with the present invention;

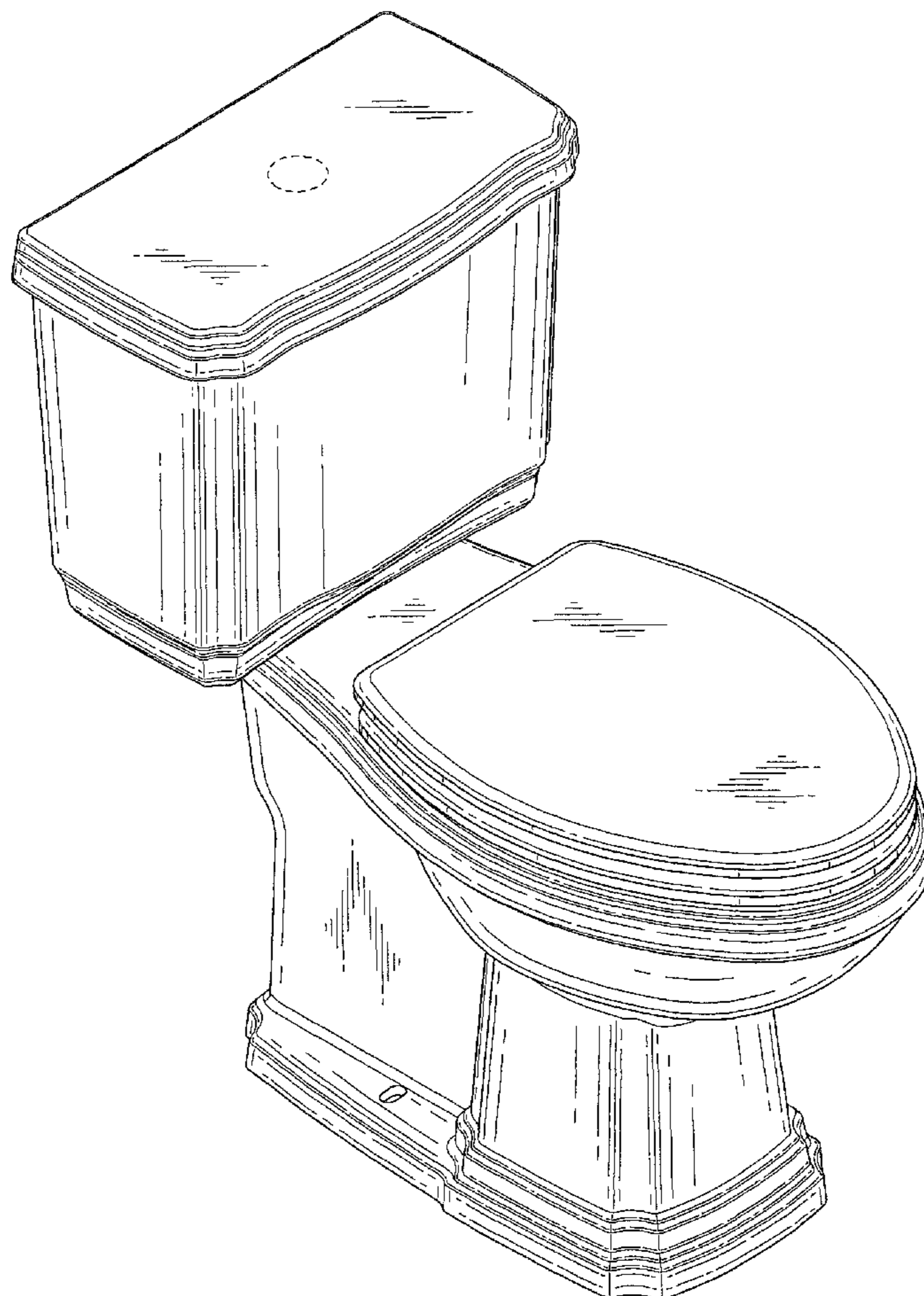
FIG. 2 is a front elevational view of the toilet in accordance with the present invention;

FIG. 3 is a rear elevational view of the toilet in accordance with the present invention;

FIG. 4 is a left side elevational view of the toilet in accordance with the present invention, the right side elevational view being the mirror image thereof; and,

FIG. 5 is a top elevational view of the toilet in accordance with the present invention.

1 Claim, 5 Drawing Sheets



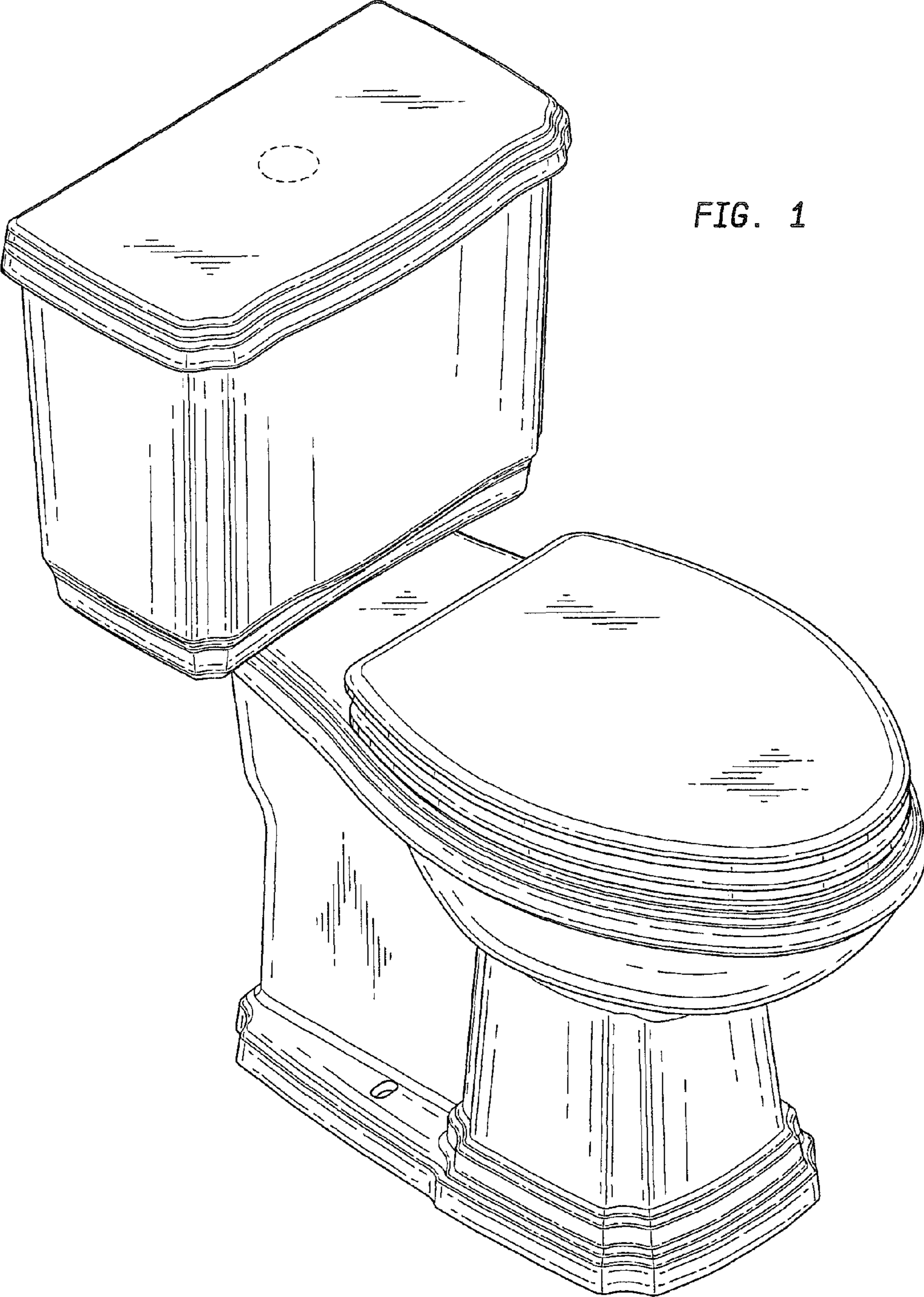


FIG. 1

FIG. 2

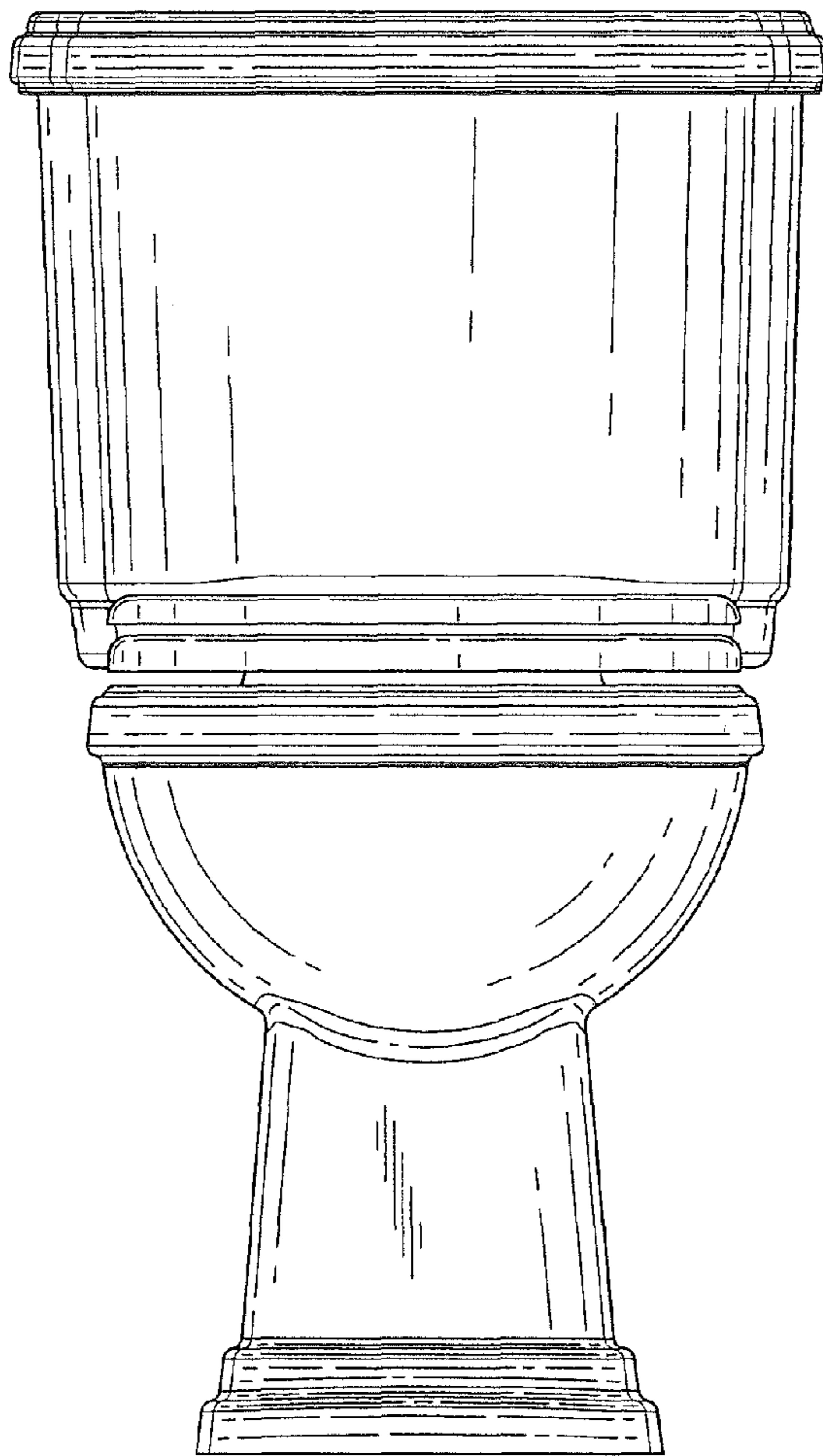


FIG. 3

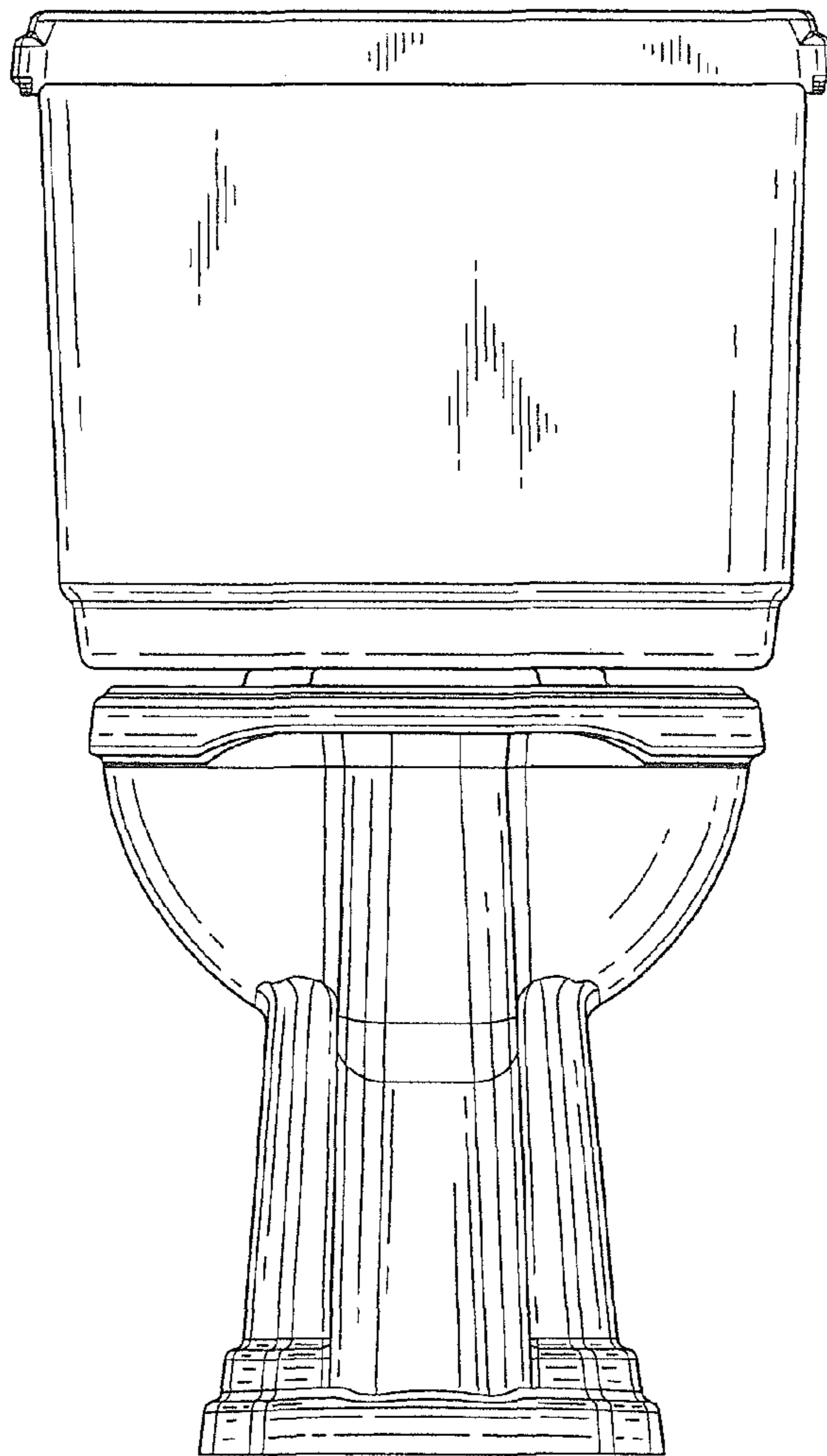


FIG. 4

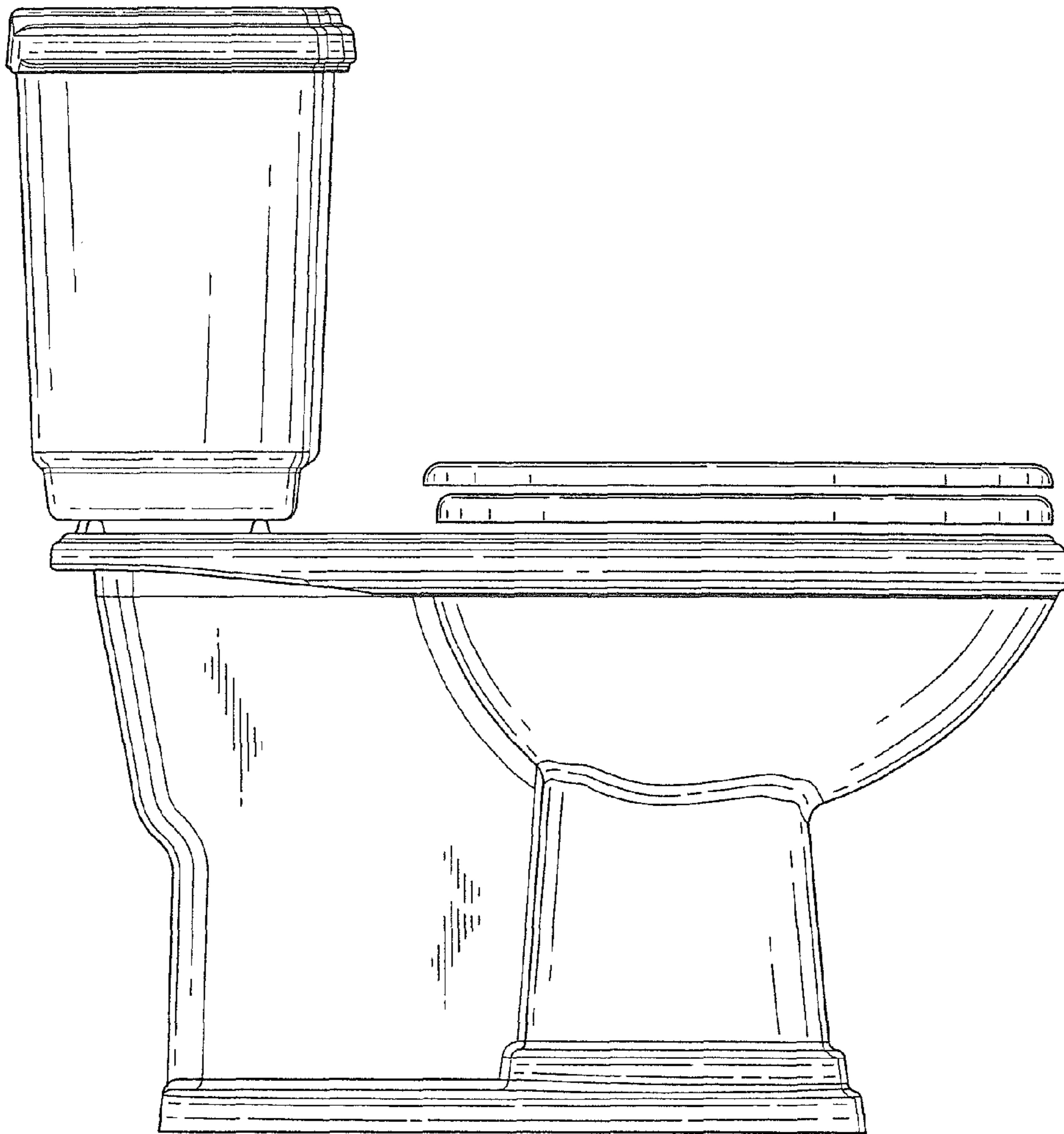


FIG. 5

