



US00D672017S

(12) **United States Design Patent**
Garrels

(10) **Patent No.:** **US D672,017 S**
(45) **Date of Patent:** **** Dec. 4, 2012**

(54) **BATHTUB**

DESCRIPTION

(75) Inventor: **Clayton Garrels**, Sheboygan, WI (US)

(73) Assignee: **Kohler Co.**, Kohler, WI (US)

(**) Term: **14 Years**

(21) Appl. No.: **29/411,981**

(22) Filed: **Jan. 27, 2012**

(51) **LOC (9) Cl.** **23-02**

(52) **U.S. Cl.** **D23/277**

(58) **Field of Classification Search** D23/277,
D23/275, 303-304; 4/271, 277, 663, 538
See application file for complete search history.

(56) **References Cited**

U.S. PATENT DOCUMENTS

2,128,424	A *	8/1938	Marshall	52/35
2,318,857	A *	5/1943	Hollaender	52/35
2,396,845	A *	3/1946	Gruen	52/35
4,901,380	A *	2/1990	Smith	4/596
6,481,028	B1 *	11/2002	Hsia	4/570

* cited by examiner

Primary Examiner — Robert Delehanty

(74) *Attorney, Agent, or Firm* — Foley & Lardner LLP

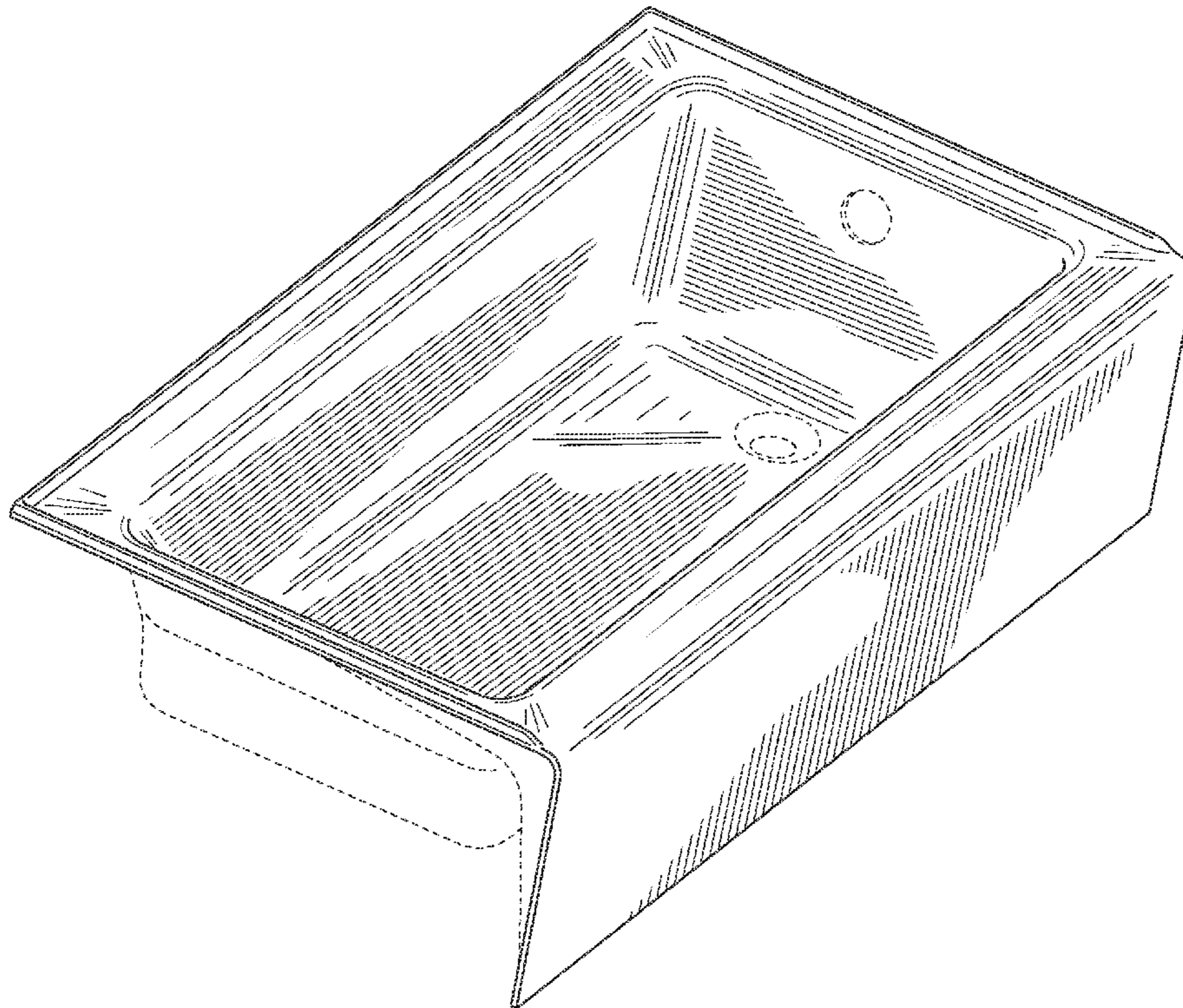
(57) **CLAIM**

I claim the ornamental design for a bathtub, as shown and described.

FIG. 1 is a to isometric view of an embodiment of the claimed design;
 FIG. 2 is a front view of the claimed design of FIG. 1;
 FIG. 3 is a rear view of the claimed design of FIG. 1;
 FIG. 4 is a top plan view of the claimed design of FIG. 1;
 FIG. 5 is a bottom view of the claimed design of FIG. 1;
 FIG. 6 is a left-side view of the claimed design of FIG. 1;
 FIG. 7 is a right-side view of the claimed design of FIG. 1;
 FIG. 8 is a sectional view of the claimed design of FIG. 1 taken along line 8-8 of FIG. 4;
 FIG. 9 is a sectional view of the claimed design of FIG. 1 taken along line 9-9 of FIG. 4;
 FIG. 10 is a top isometric view of another embodiment of the claimed design;
 FIG. 11 is a front view of the claimed design of FIG. 10;
 FIG. 12 is a rear view of the claimed design of FIG. 10;
 FIG. 13 is a top plan view of the claimed design of FIG. 10;
 FIG. 14 is a bottom view of the claimed design of FIG. 10;
 FIG. 15 is a left-side view of the claimed design of FIG. 10;
 FIG. 16 is a right-side view of the claimed design of FIG. 10;
 FIG. 17 is a sectional view of the claimed design of FIG. 10 taken along line 17-17 of FIG. 13; and,
 FIG. 18 is a sectional view of the claimed design of FIG. 10 taken along line 18-18 of FIG. 13.

The ornamental design which is claimed is shown in solid lines in the drawings. The broken lines in the drawings are for illustrative purposes only and form no part of the claimed design. The dash-dot lines in the drawings define boundaries of the claimed design and form no part thereof.

1 Claim, 16 Drawing Sheets



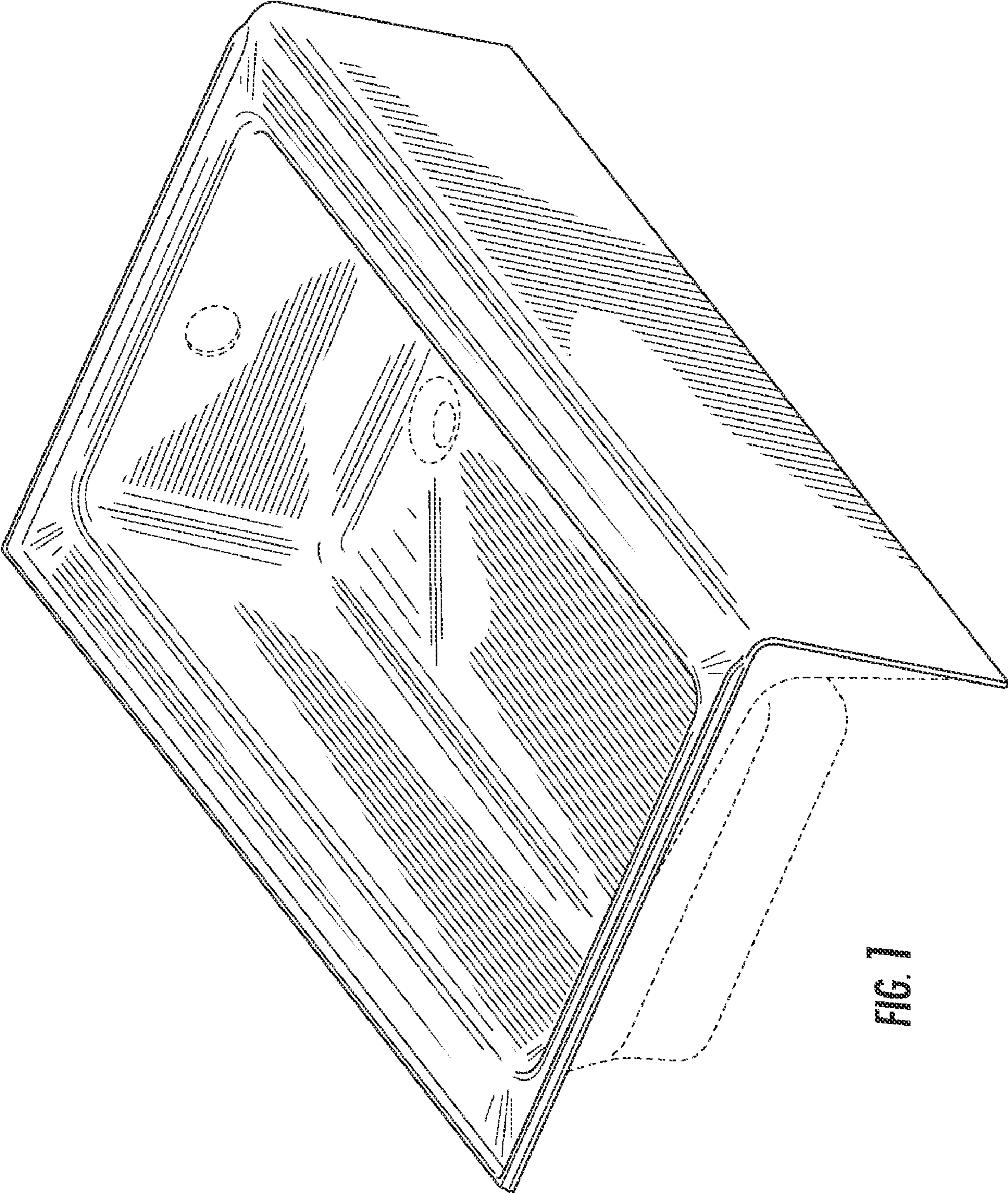


FIG. 1

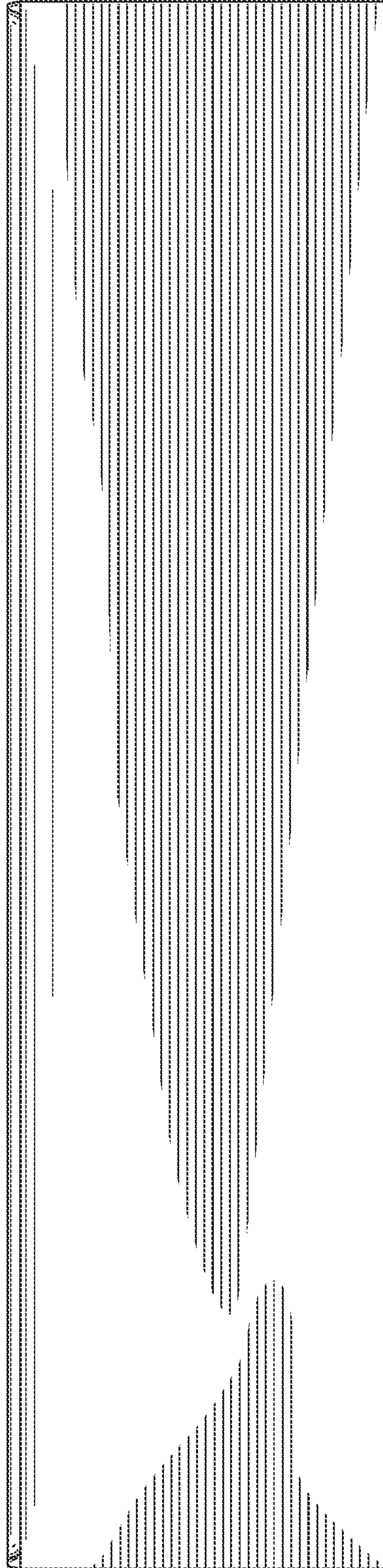


FIG. 2

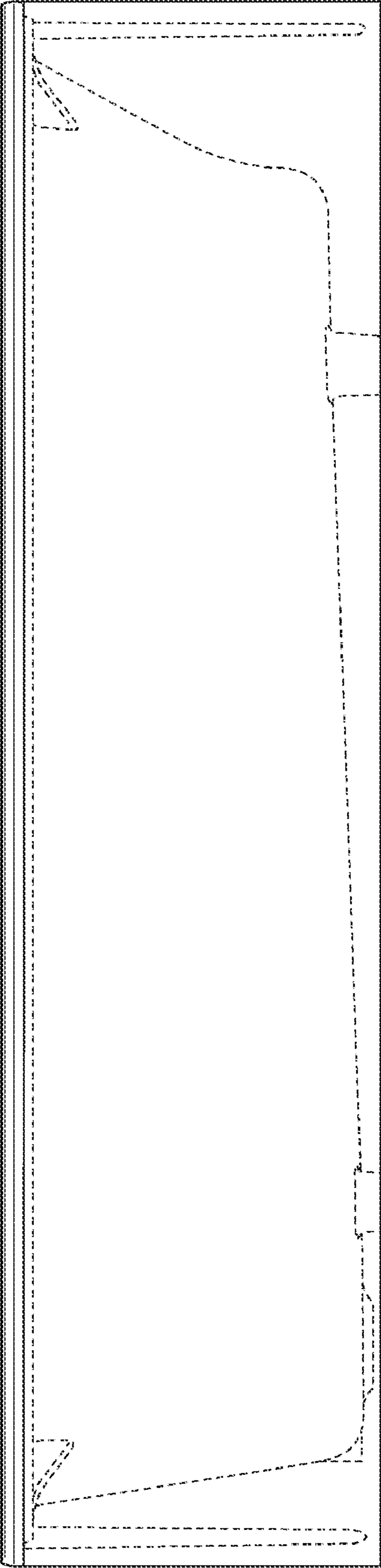


FIG. 3

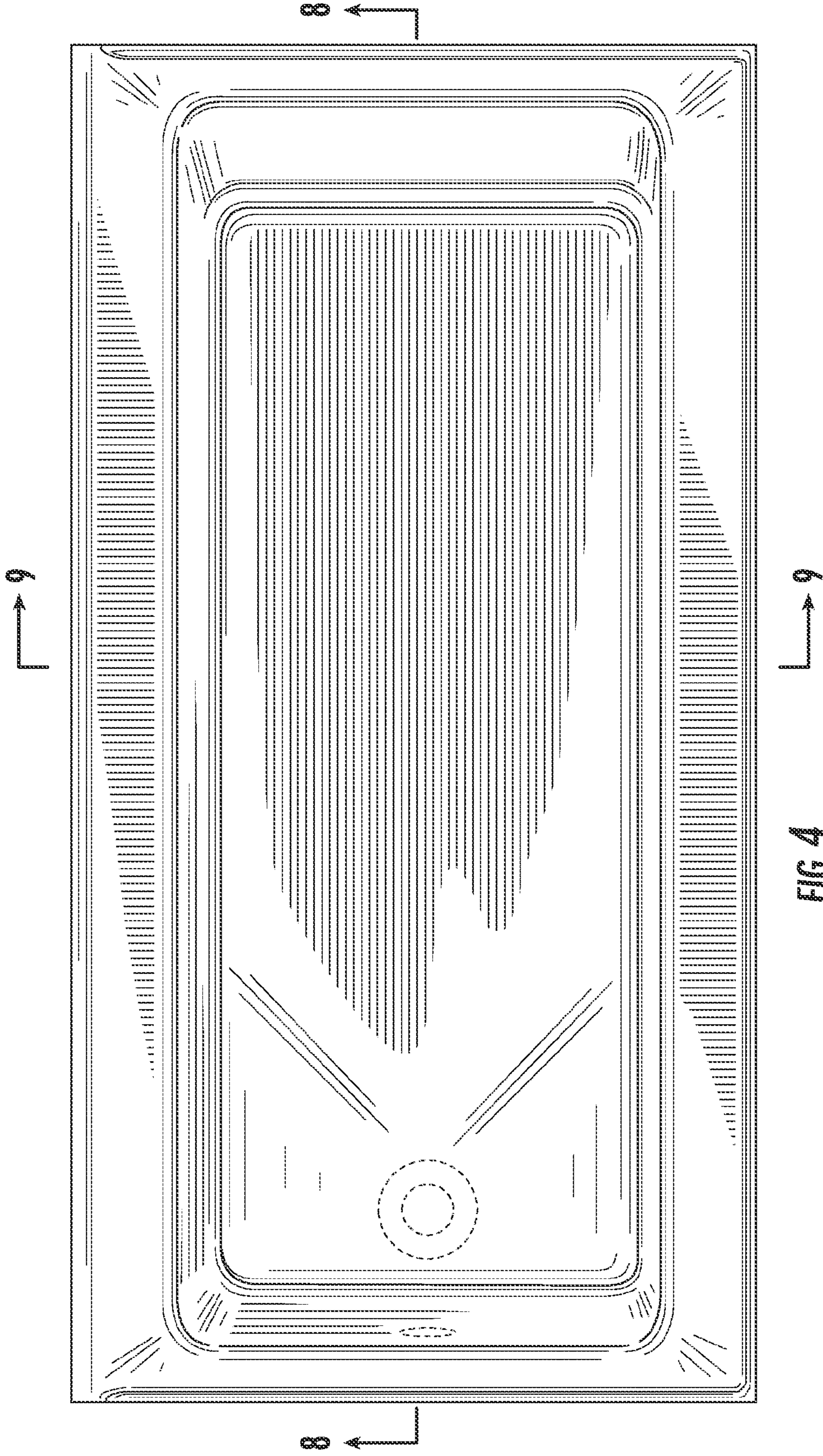


FIG. 4

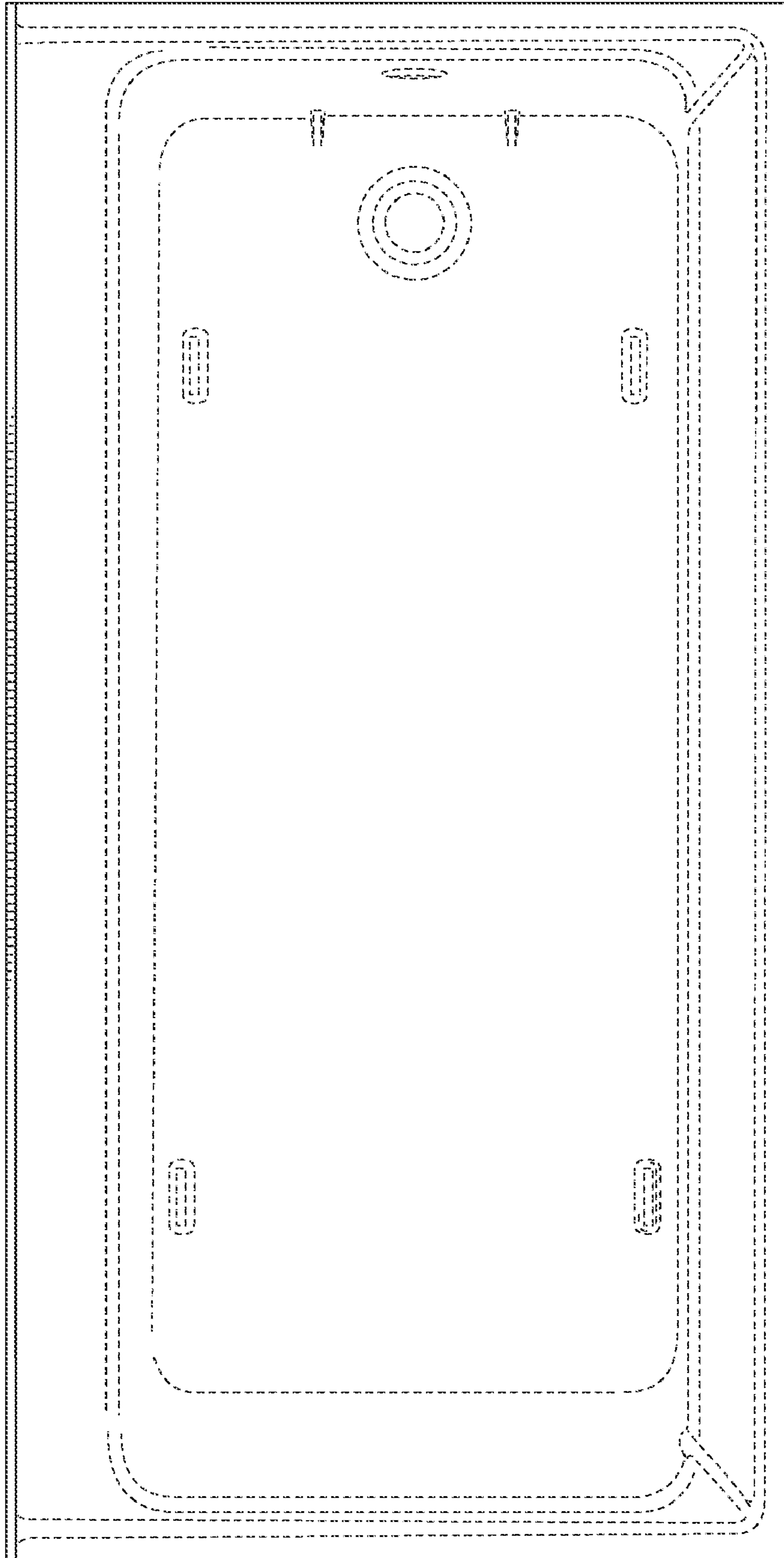


FIG. 5

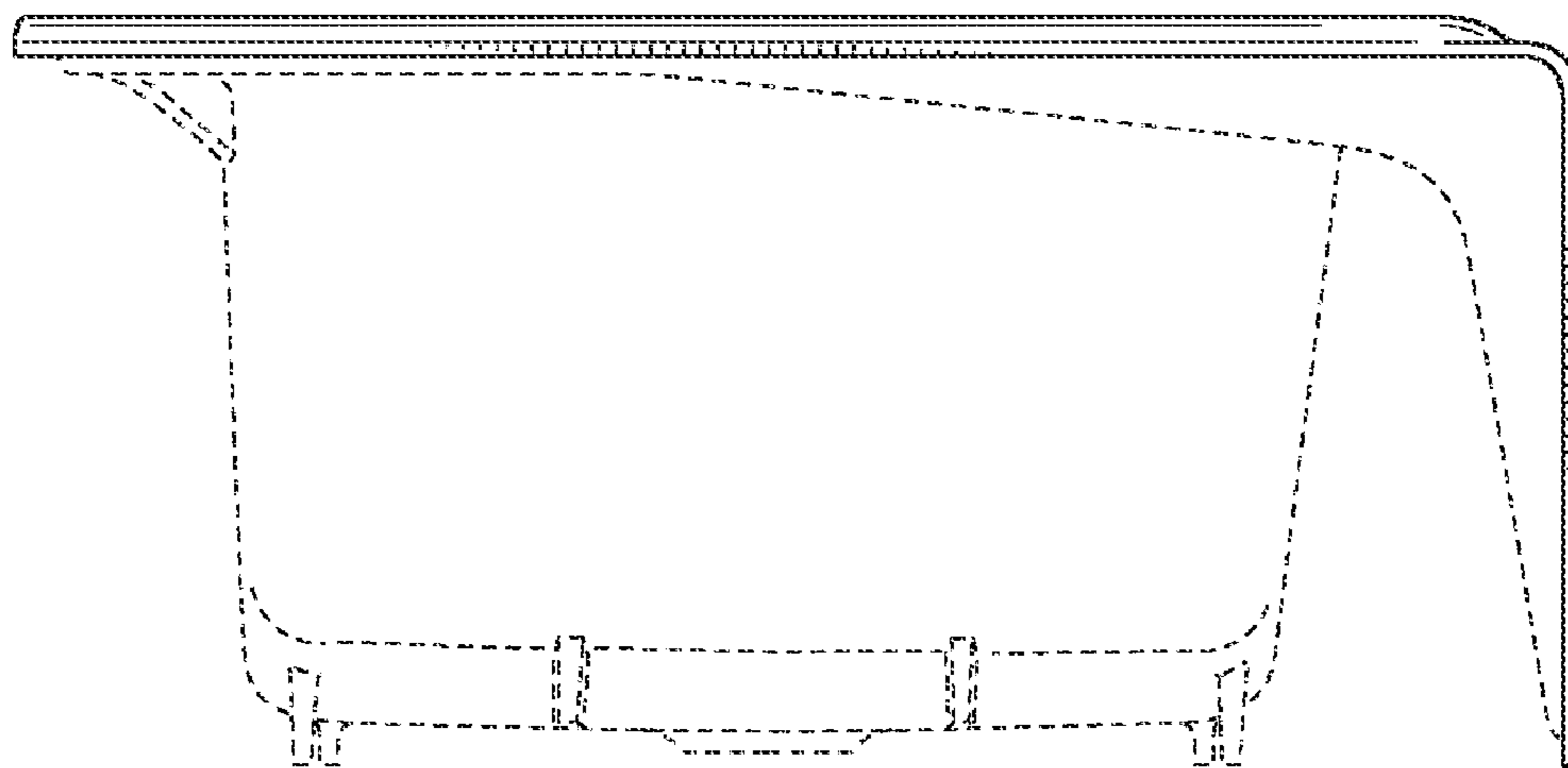


FIG. 6

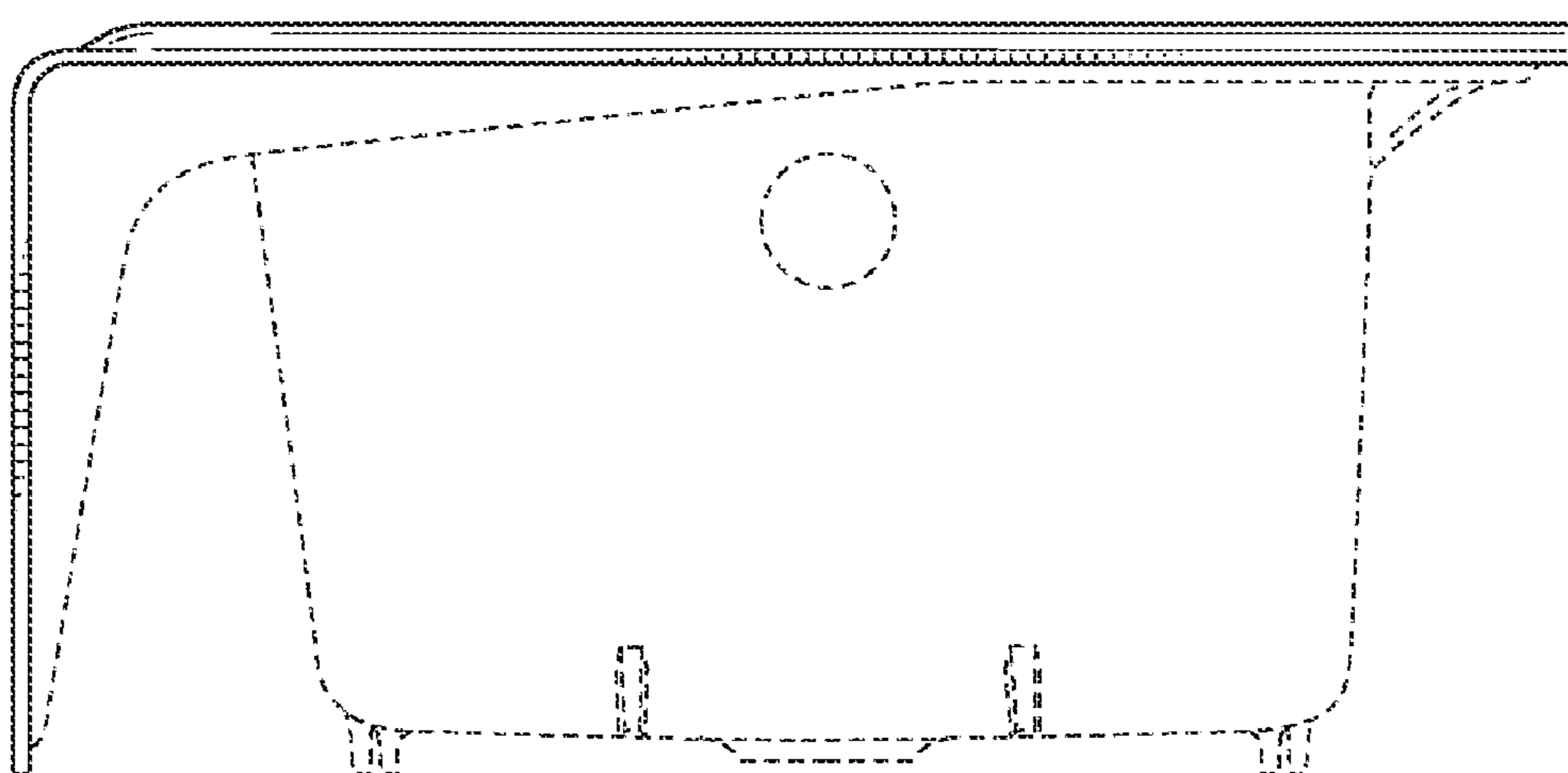


FIG. 7

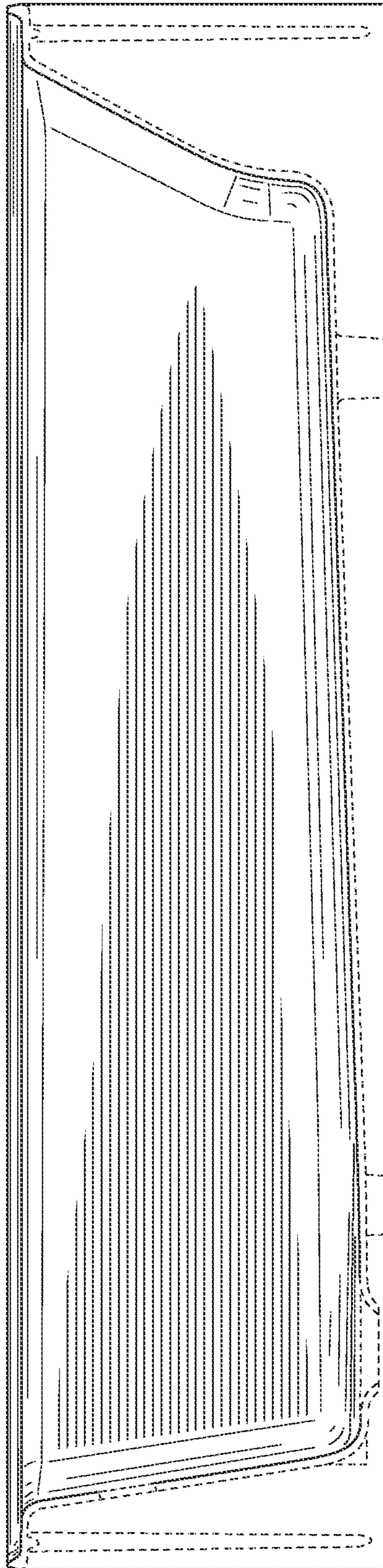


FIG. 8

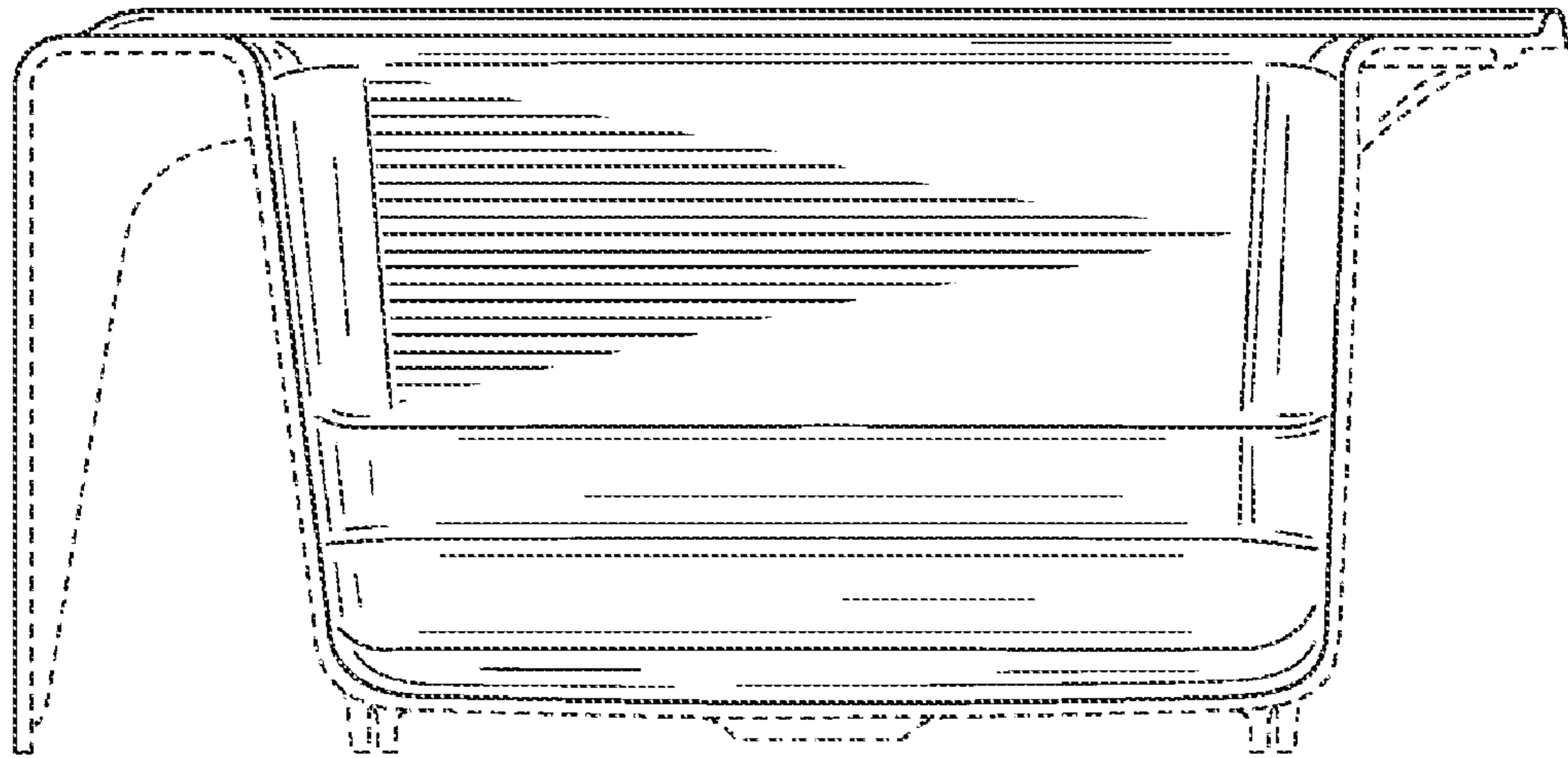


FIG. 9

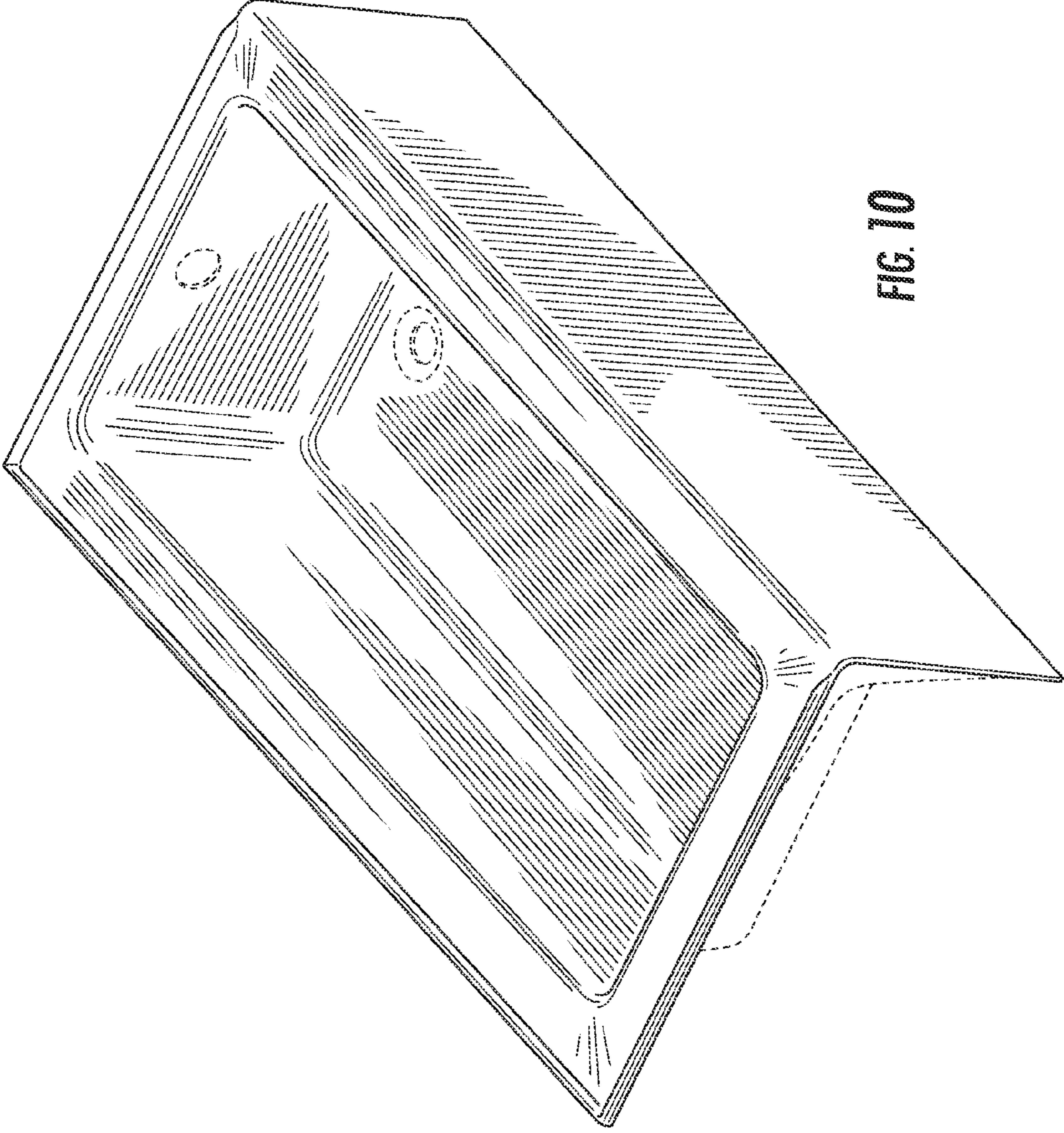


FIG. 10

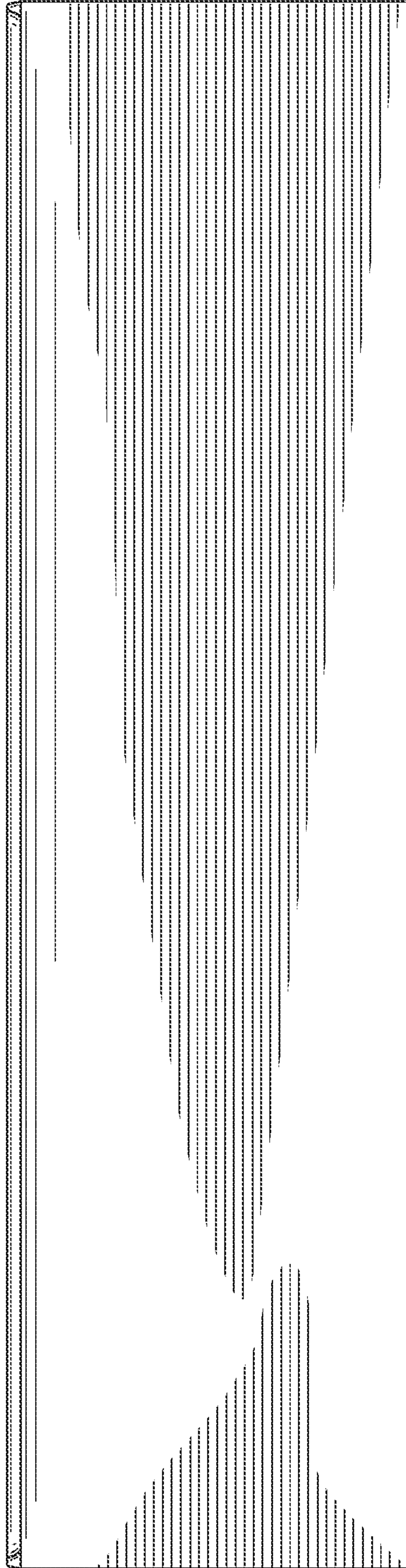


FIG. 11

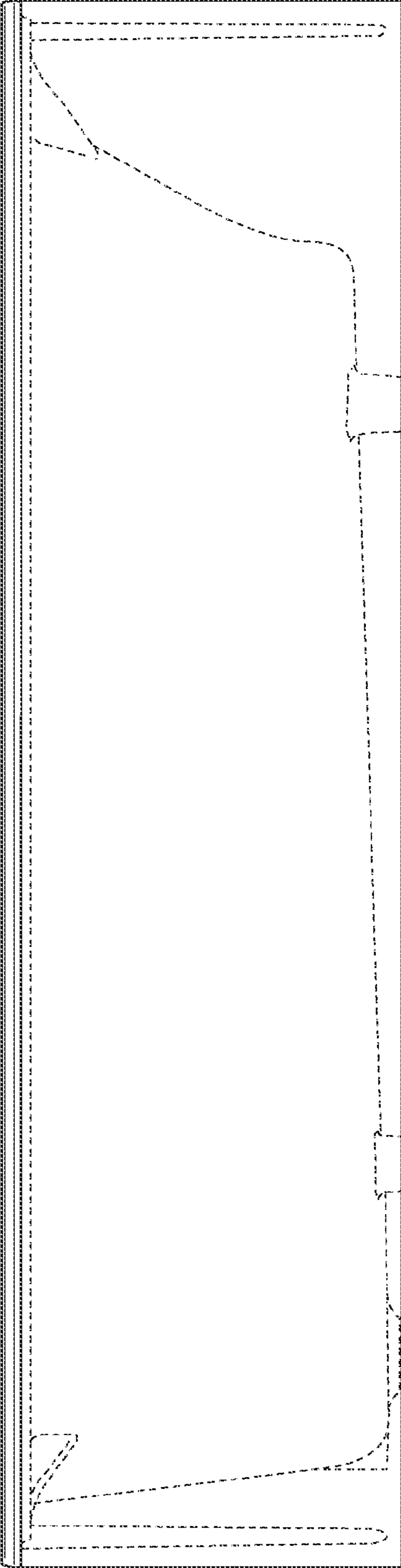


FIG. 12

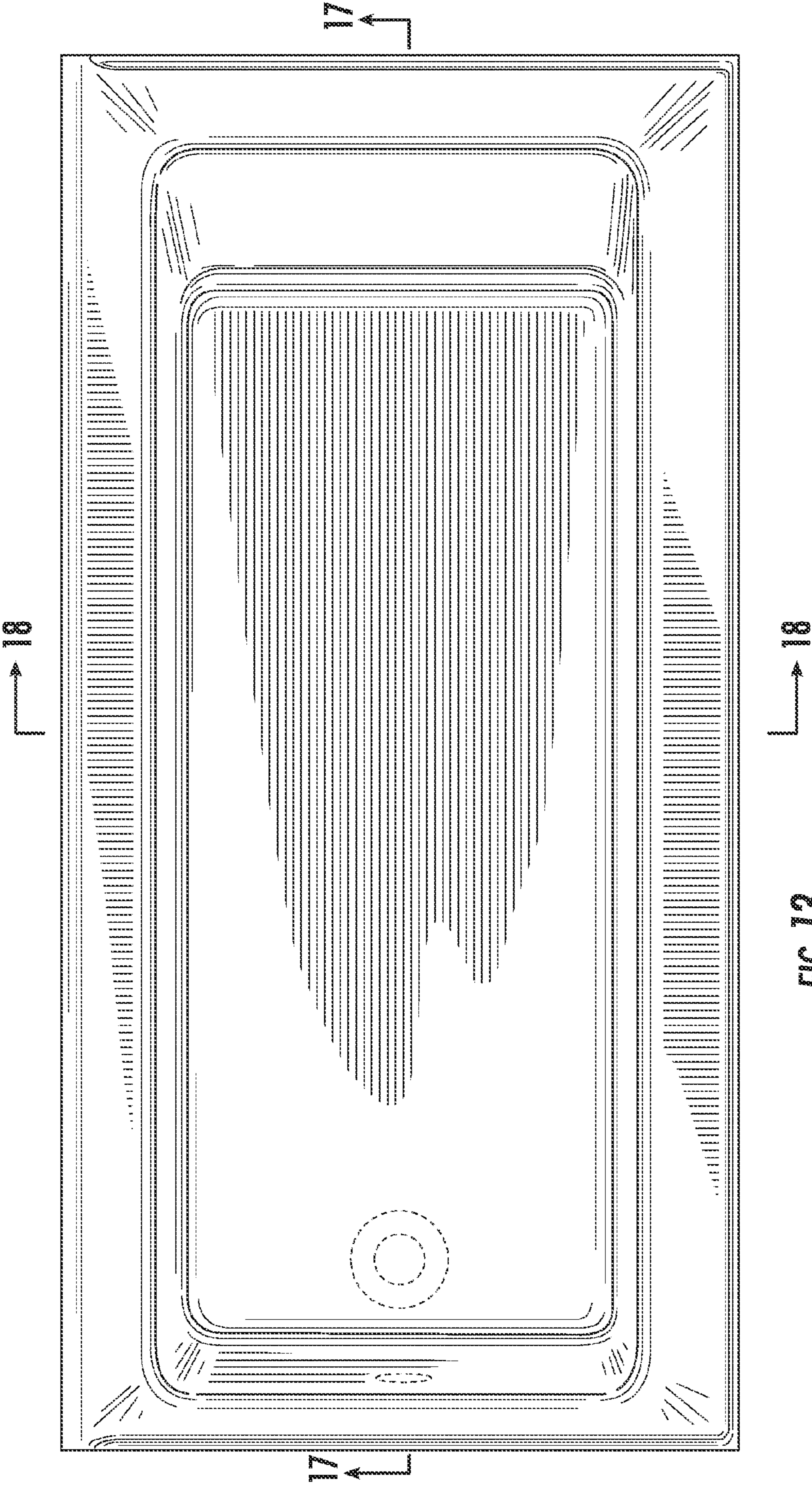


FIG. 13

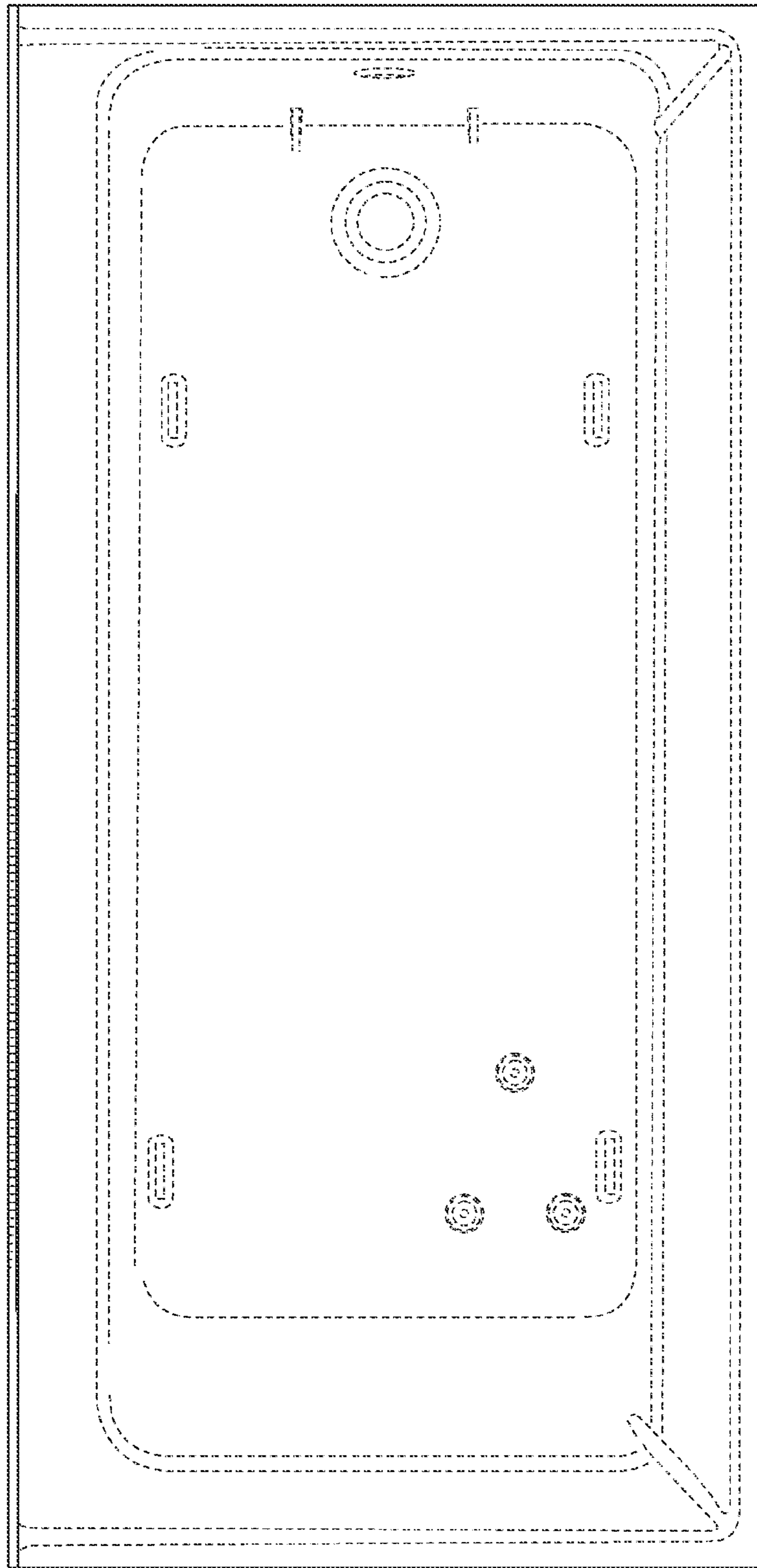


FIG. 14

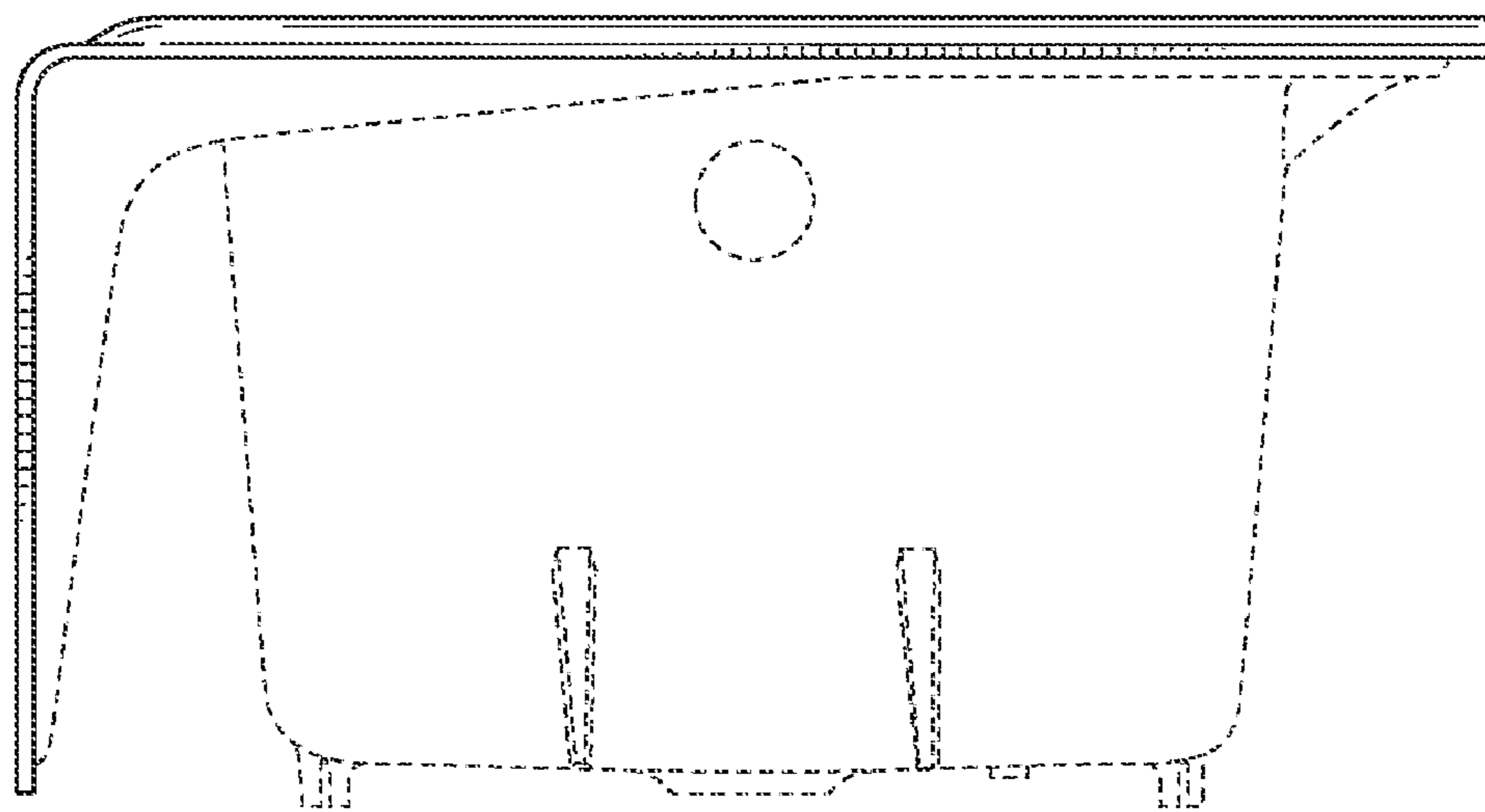


FIG. 15

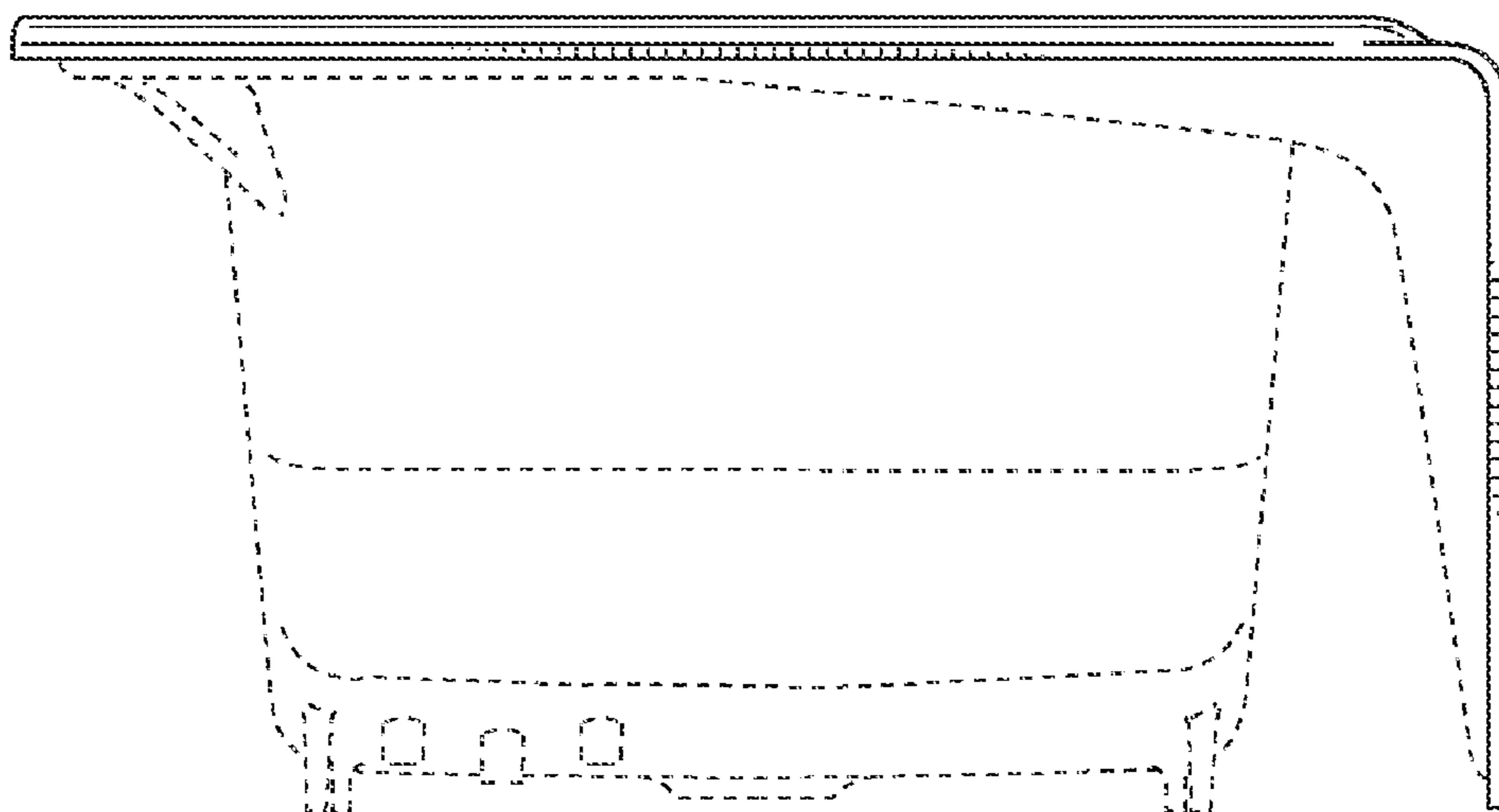


FIG. 16

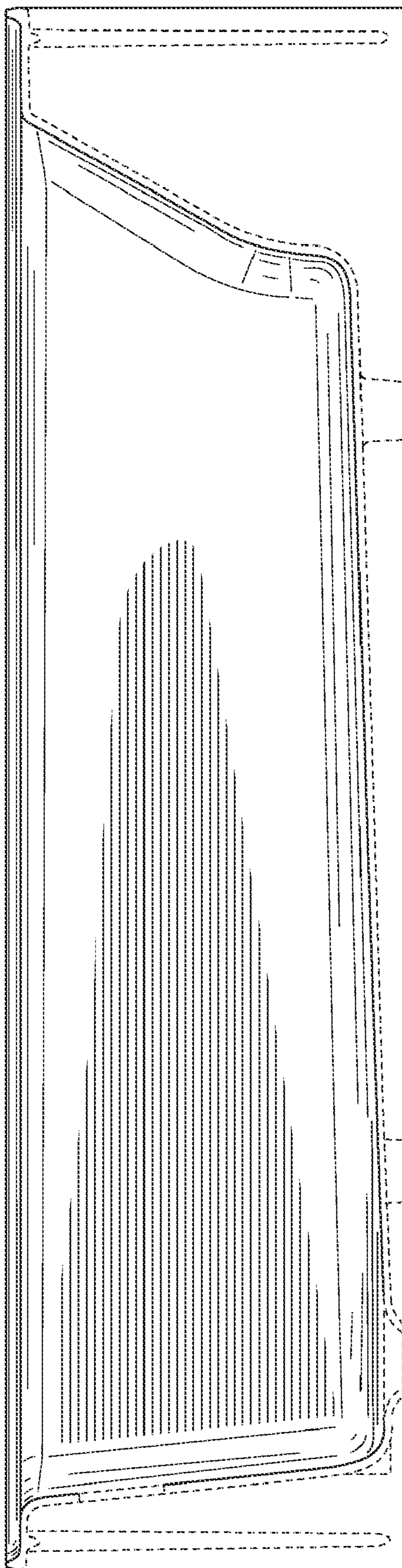


FIG. 17

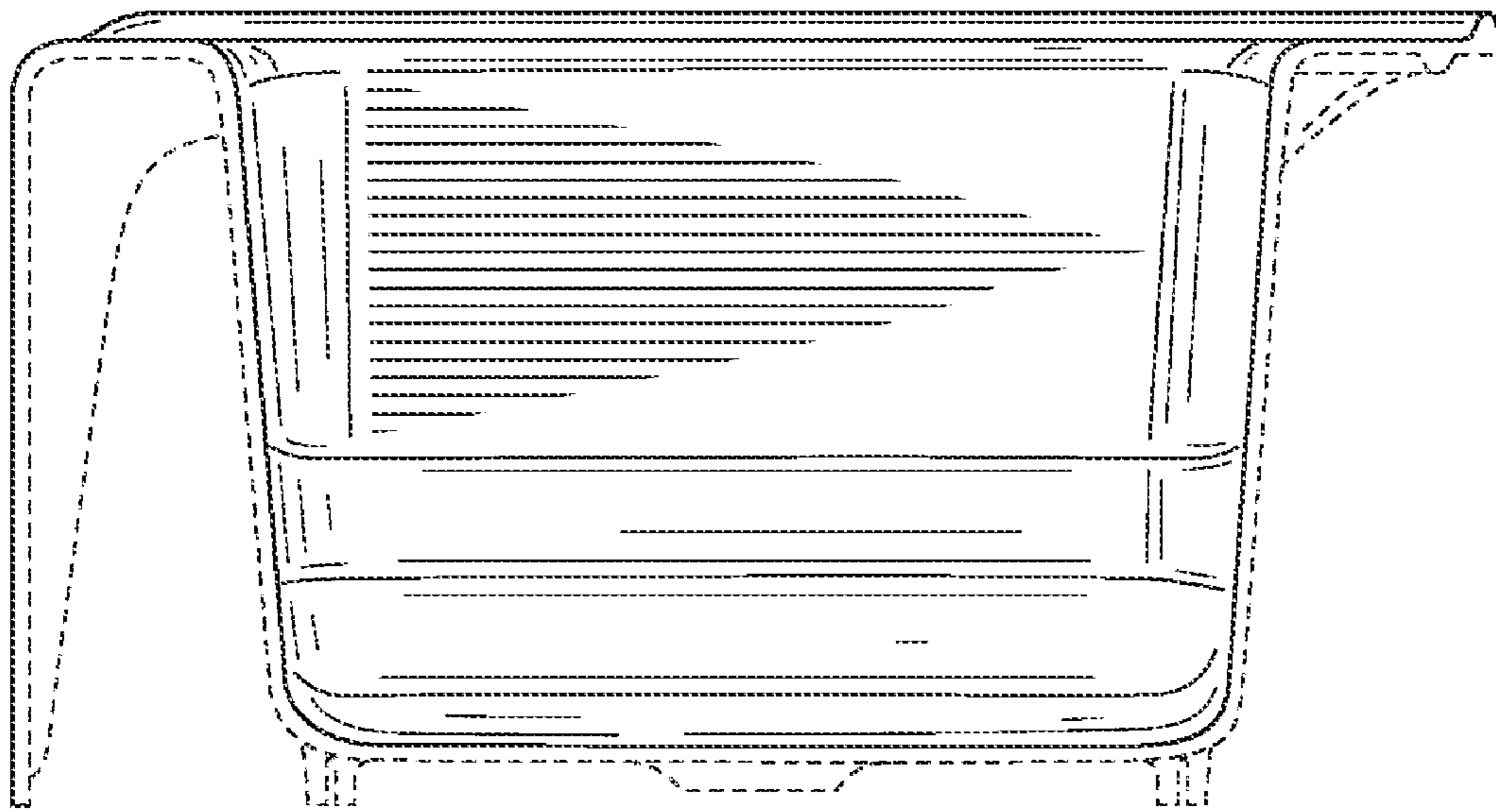


FIG. 18