



US00D672013S

(12) **United States Design Patent**
Ikenoya et al.

(10) **Patent No.:** **US D672,013 S**

(45) **Date of Patent:** **** Dec. 4, 2012**

(54) **OPEN/CLOSE VALVE**

(75) Inventors: **Shinji Ikenoya**, Tajimi (JP); **Naofumi Murata**, Tajimi (JP); **Hiroyuki Murase**, Konan (JP); **Hideyuki Takeda**, Kasugai (JP); **Ryo Muramatsu**, Nagoya (JP)

(73) Assignee: **CKD Corporation**, Komaki-shi (JP)

(**) Term: **14 Years**

(21) Appl. No.: **29/376,296**

(22) Filed: **Oct. 5, 2010**

(30) **Foreign Application Priority Data**

Aug. 27, 2010 (JP) 2010-020764

(51) **LOC (9) Cl.** **23-01**

(52) **U.S. Cl.** **D23/248**

(58) **Field of Classification Search** D23/233-237,
D23/244-249, 255-269, 310; 137/625, 625.18,
137/625.4, 625.41, 625.42, 625.46, 625.64,
137/625.65; 251/129.01

See application file for complete search history.

(56) **References Cited**

U.S. PATENT DOCUMENTS

D236,980 S * 9/1975 Callahan et al. D23/233
D266,863 S * 11/1982 Mason D23/233

D317,815 S * 6/1991 Jeromson et al. D23/233
D410,525 S * 6/1999 Uehara et al. D23/235
D500,842 S * 1/2005 Croft D23/245
D601,225 S * 9/2009 Kurisaki D23/235
D632,362 S * 2/2011 Ito et al. D23/233
D633,986 S * 3/2011 Ito et al. D23/233

* cited by examiner

Primary Examiner — Garth Rademaker

(74) *Attorney, Agent, or Firm* — Oliff & Berridge, PLC

(57) **CLAIM**

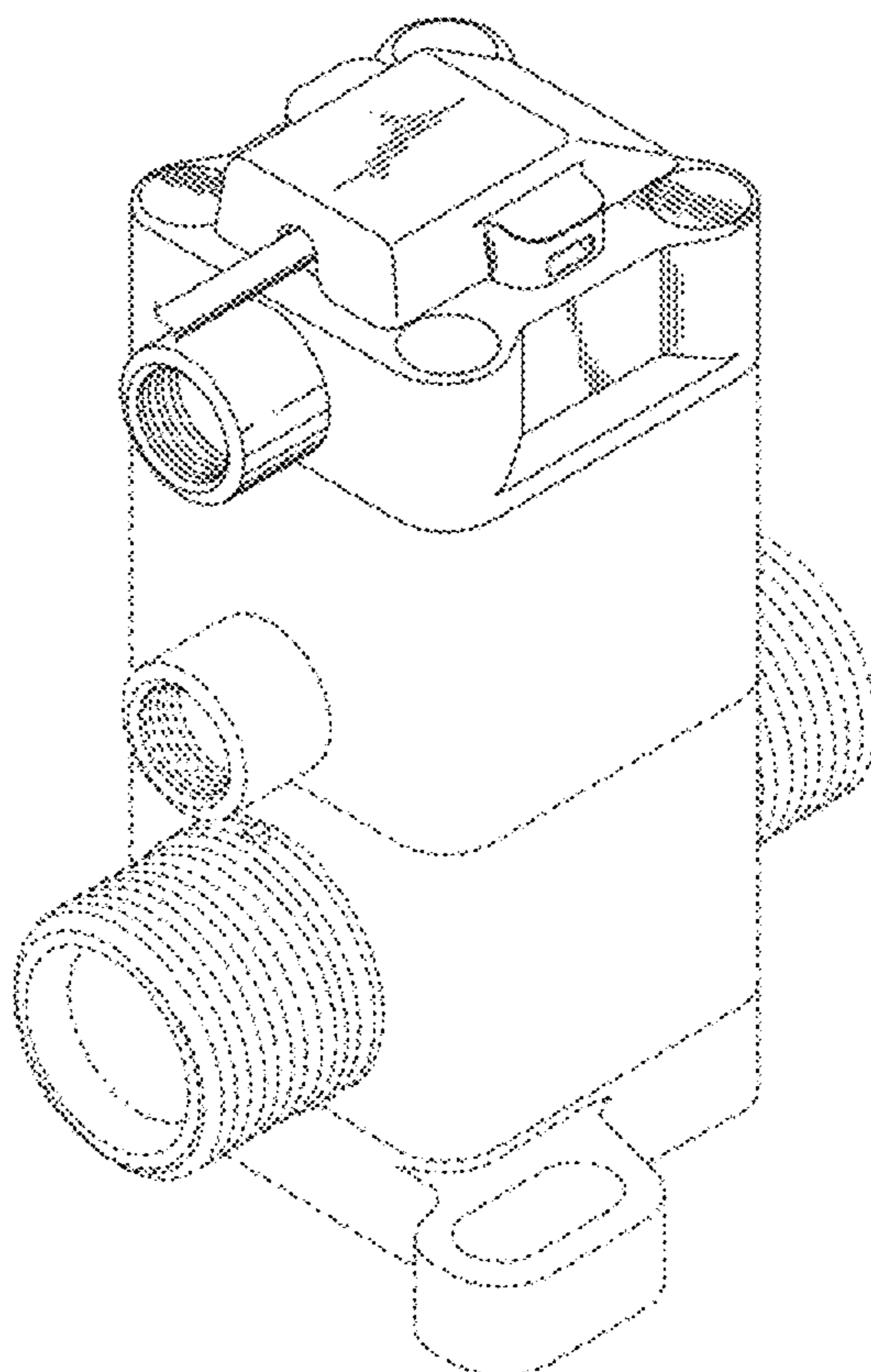
The ornamental design for an open/close valve, as shown and described.

DESCRIPTION

FIG. 1 is a perspective view of an open/close valve;
FIG. 2 is a front view thereof;
FIG. 3 is a top view thereof;
FIG. 4 is a right-side view thereof;
FIG. 5 is a left-side view thereof;
FIG. 6 is a rear view thereof;
FIG. 7 is a bottom view thereof; and,
FIG. 8 is a cross-section view thereof, taken along line 8-8 of FIG. 5.

The broken lines depict environmental subject matter only and form no part of the claimed design.

1 Claim, 8 Drawing Sheets



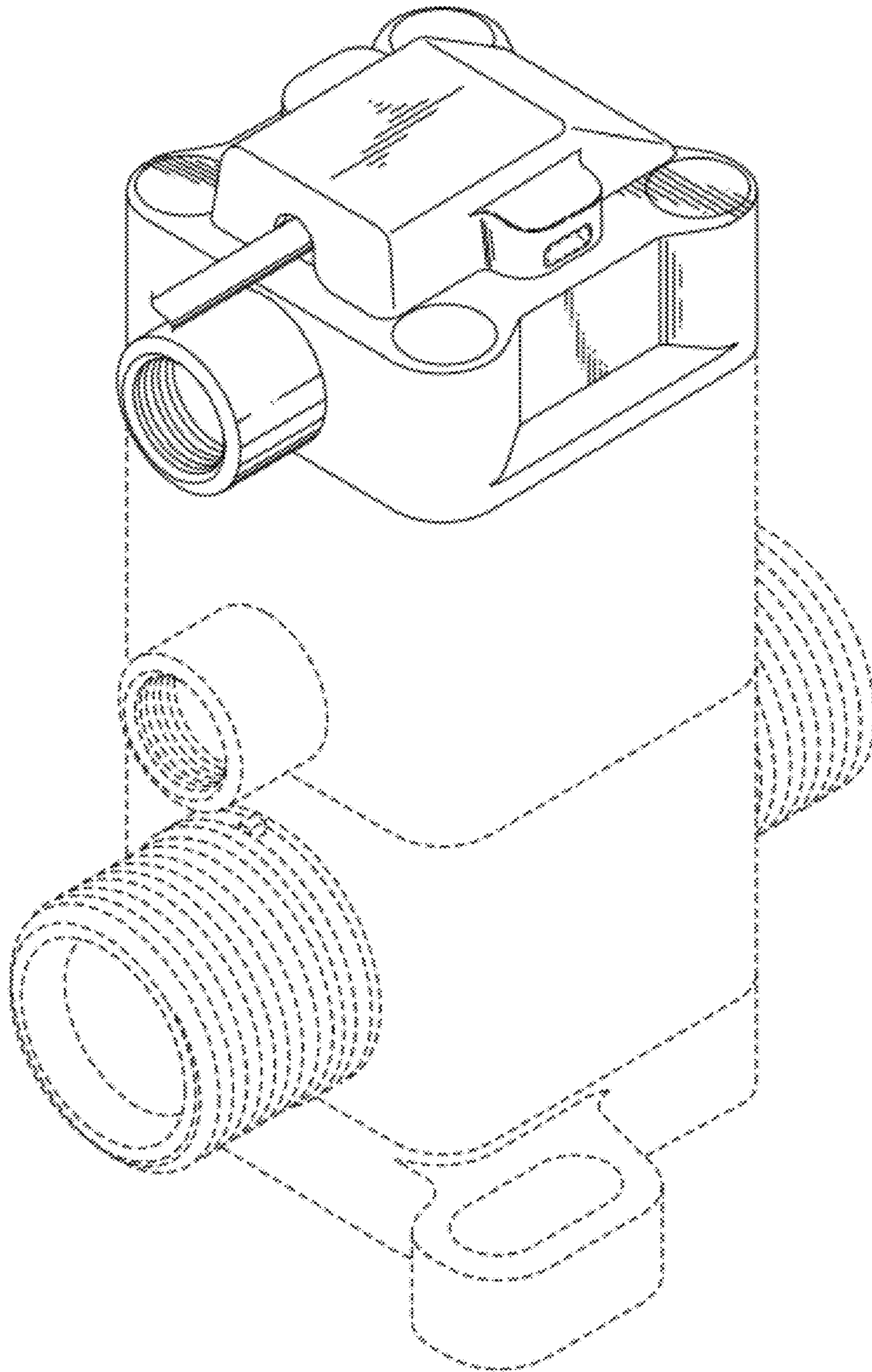


FIG. 1

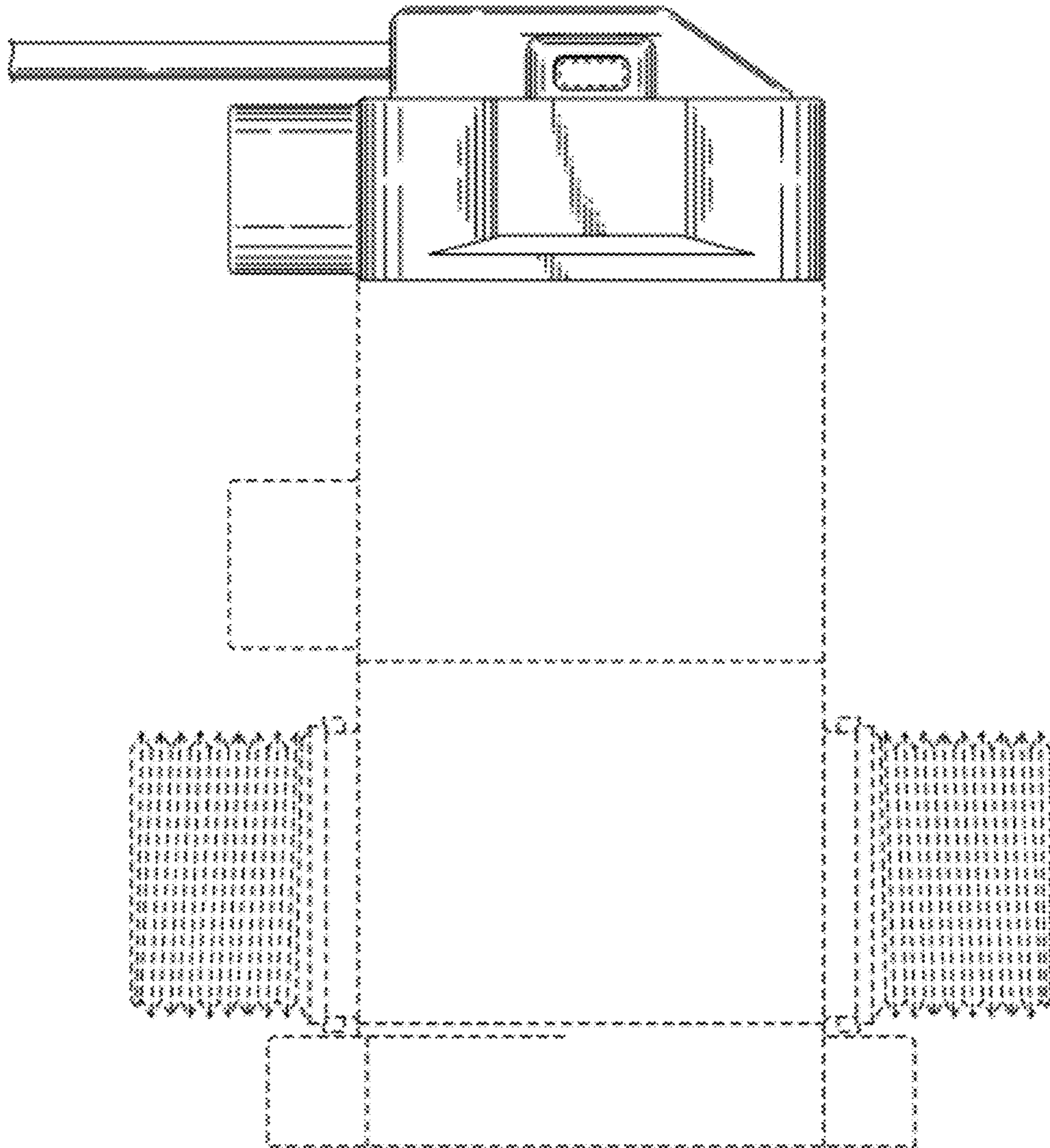


FIG. 2

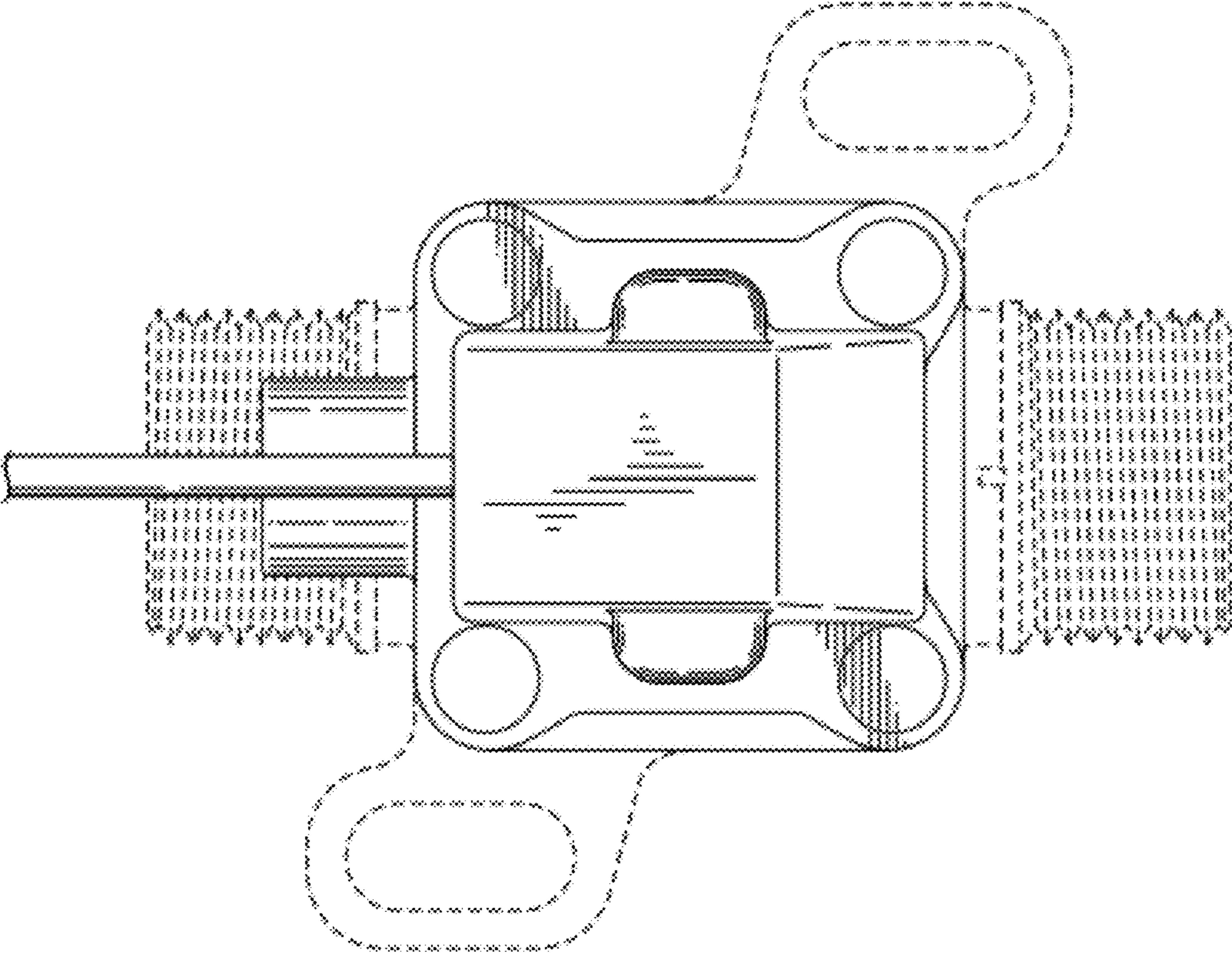


FIG. 3

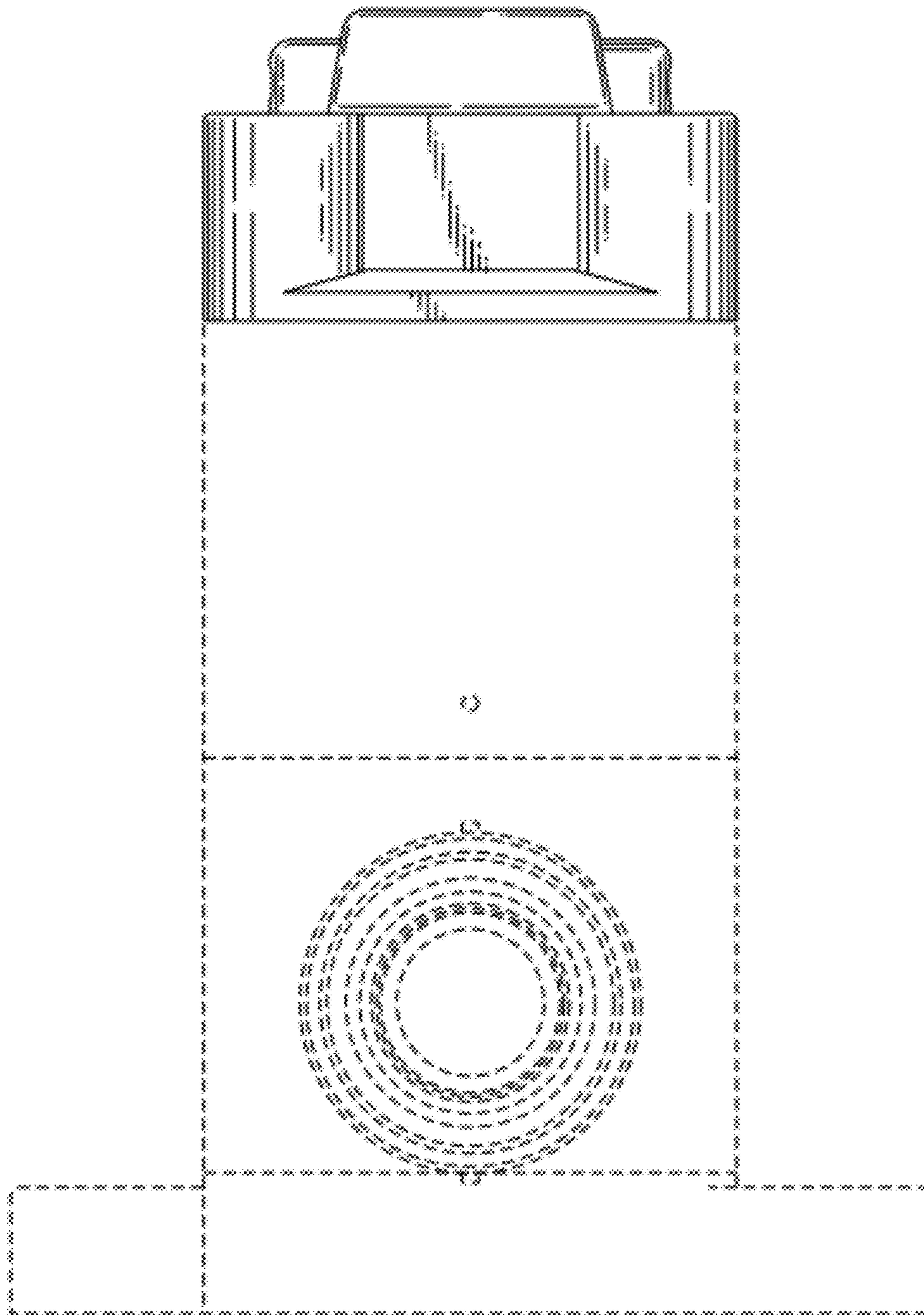


FIG. 4

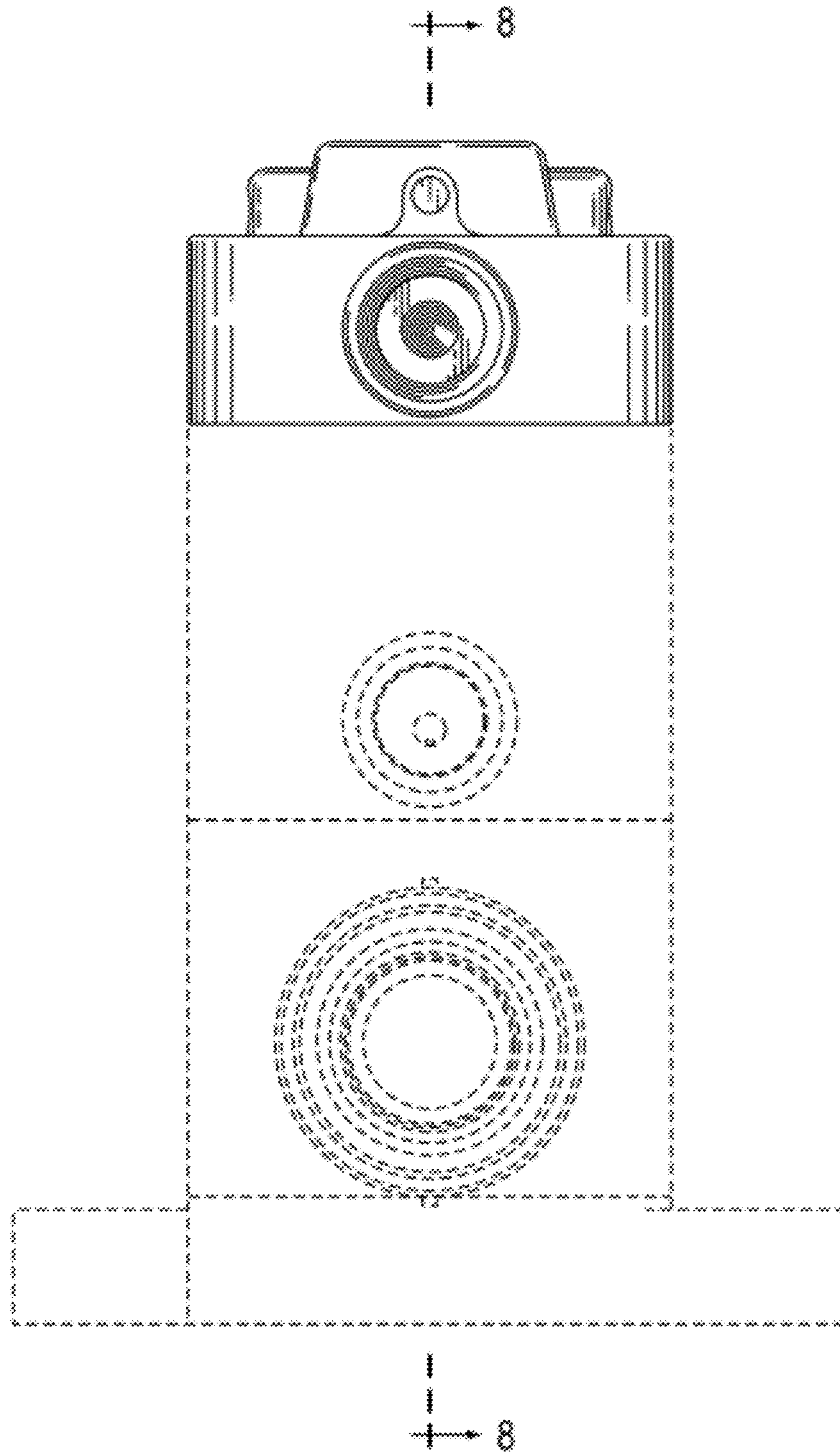


FIG. 5

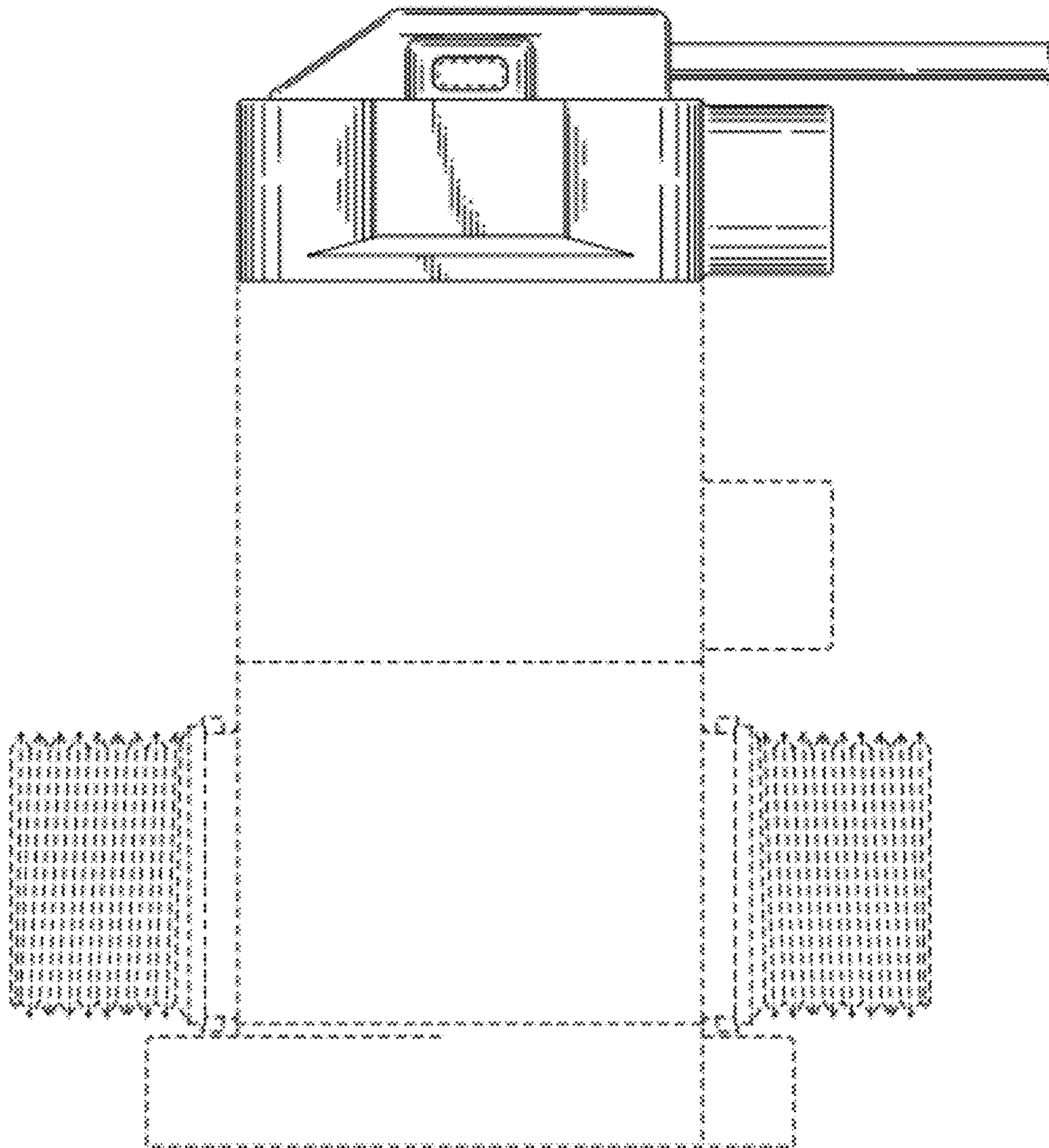


FIG. 6

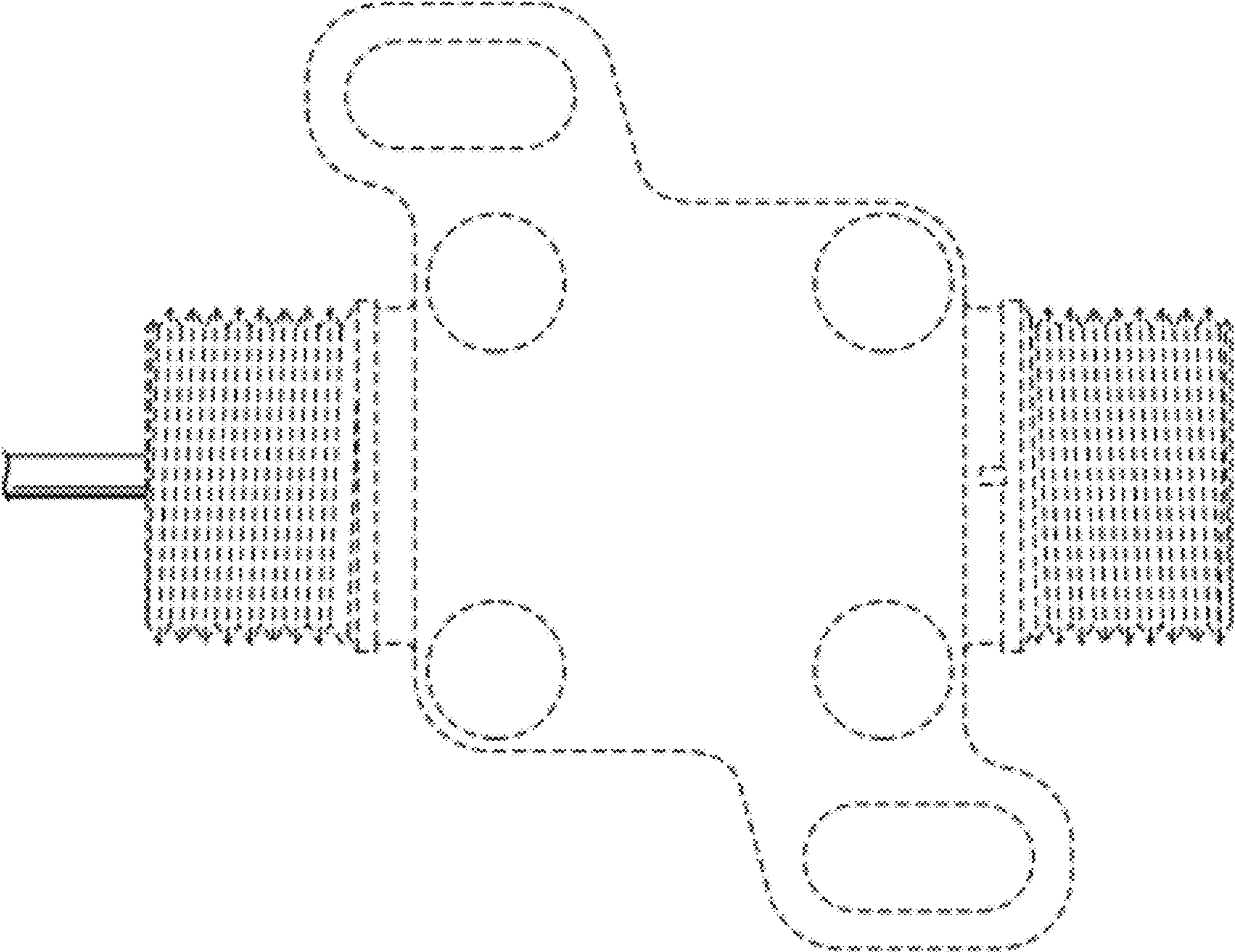


FIG. 7

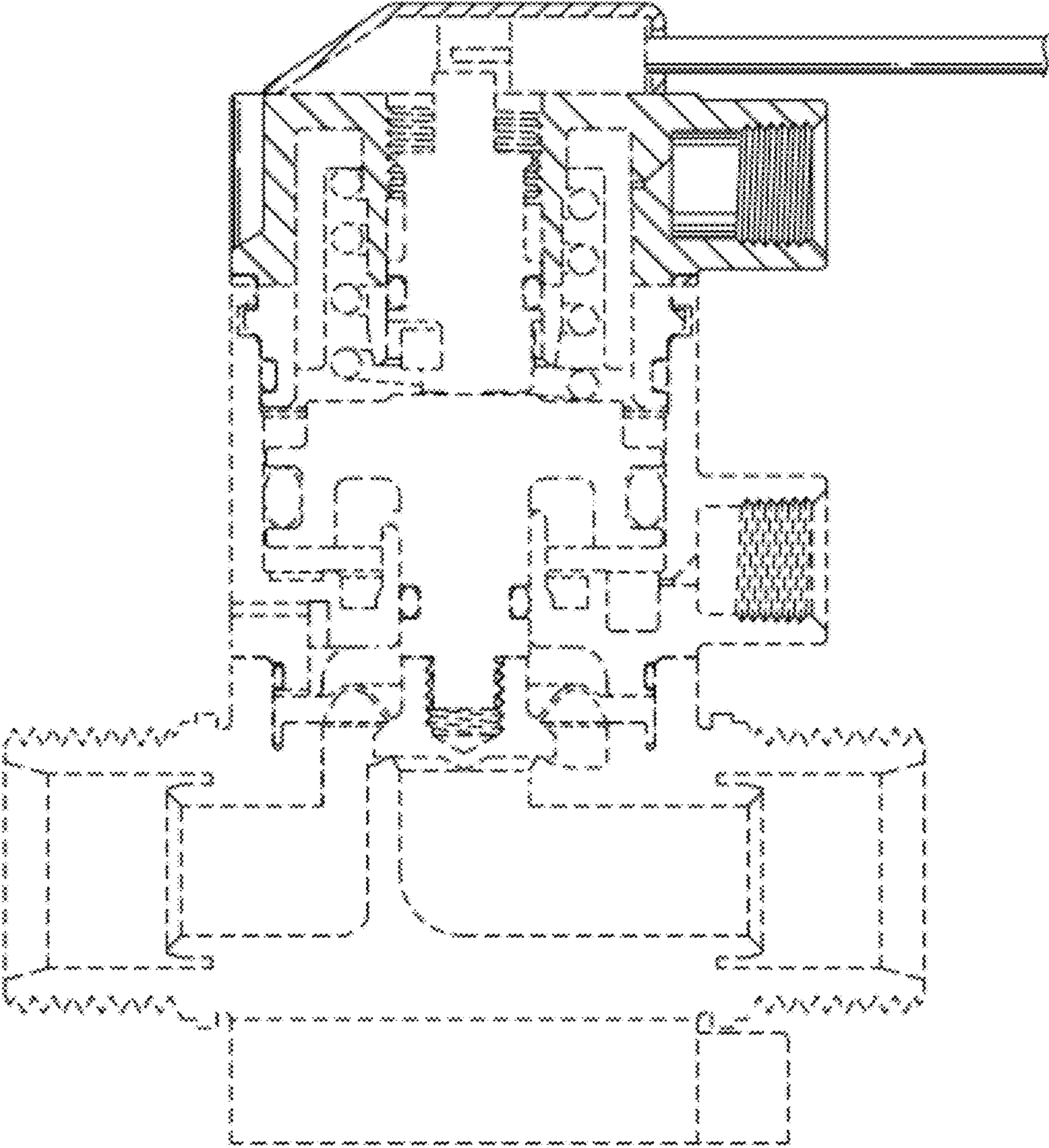


FIG. 8