



US00D672011S

(12) **United States Design Patent**
Andrew et al.

(10) **Patent No.:** **US D672,011 S**
(45) **Date of Patent:** **** *Dec. 4, 2012**

(54) **HANDHELD SHOWERHEAD**

(75) Inventors: **Mercedita Andrew**, Chicago, IL (US);
Julian Giggs, Thorold (CA); **Michael Miller**, Portage, MI (US)

(73) Assignee: **Alsons Corporation**, Hillsdale, MI (US)

(*) Notice: This patent is subject to a terminal disclaimer.

(**) Term: **14 Years**

(21) Appl. No.: **29/389,601**

(22) Filed: **Apr. 14, 2011**

(51) **LOC (9) Cl.** **23-01**

(52) **U.S. Cl.** **D23/223**

(58) **Field of Classification Search** D23/213,
D23/223, 226, 229, 230; 239/394, 462, 576.1;
4/615

See application file for complete search history.

(56) **References Cited**

U.S. PATENT DOCUMENTS

D551,737 S * 9/2007 Haug et al. D23/223
D562,942 S * 2/2008 Pan D23/223

D578,607 S * 10/2008 Wu et al. D23/223
D591,396 S * 4/2009 Lobermeier D23/223
D606,623 S * 12/2009 Whitaker et al. D23/223
D617,419 S * 6/2010 Lee D23/223
D617,420 S * 6/2010 Lee D23/223
D621,908 S * 8/2010 Yoo et al. D23/223

* cited by examiner

Primary Examiner — Robin V Webster

(74) *Attorney, Agent, or Firm* — Edgar A. Zarins; Nariv D. Parikh; Lora J. Graentzdoerffer

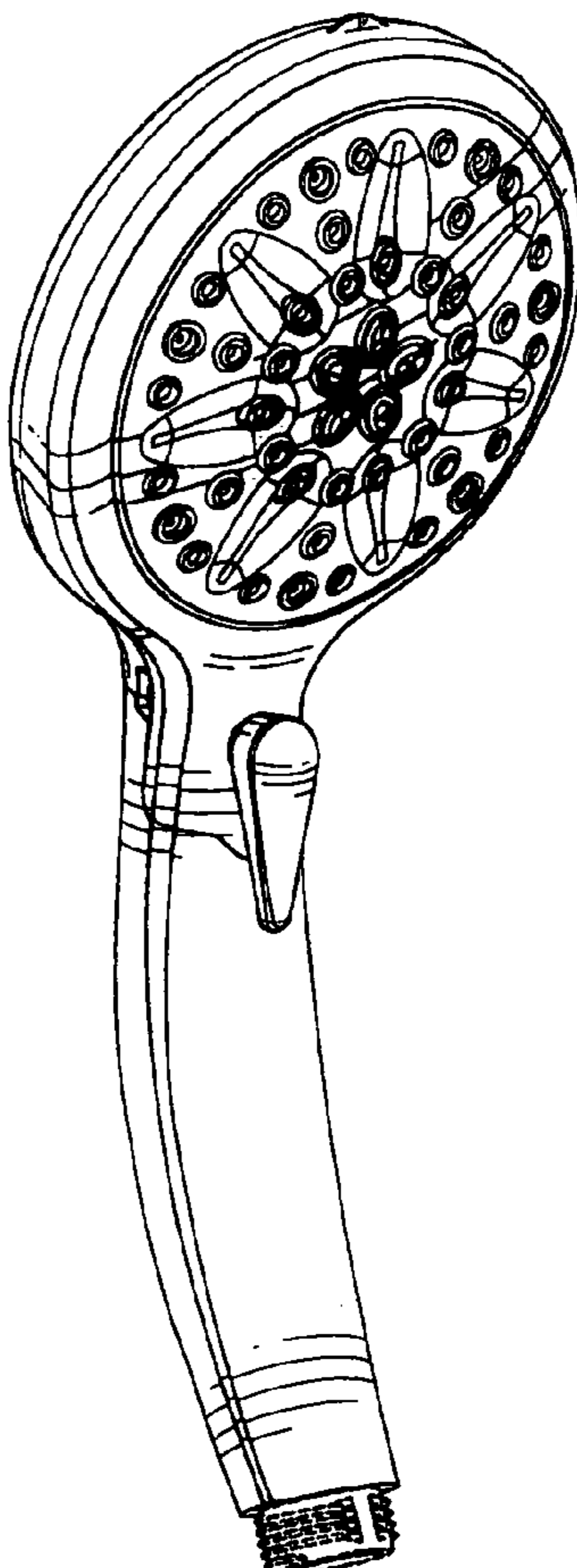
(57) **CLAIM**

The ornamental design for a handheld showerhead, as shown and described.

DESCRIPTION

FIG. 1 is a perspective view of a handheld showerhead showing our new design;
FIG. 2 is a top end view thereof;
FIG. 3 is a bottom end view thereof;
FIG. 4 is a front elevational view thereof;
FIG. 5 is a rear view thereof;
FIG. 6 is a right side view thereof; and,
FIG. 7 is a left side view thereof.

1 Claim, 3 Drawing Sheets



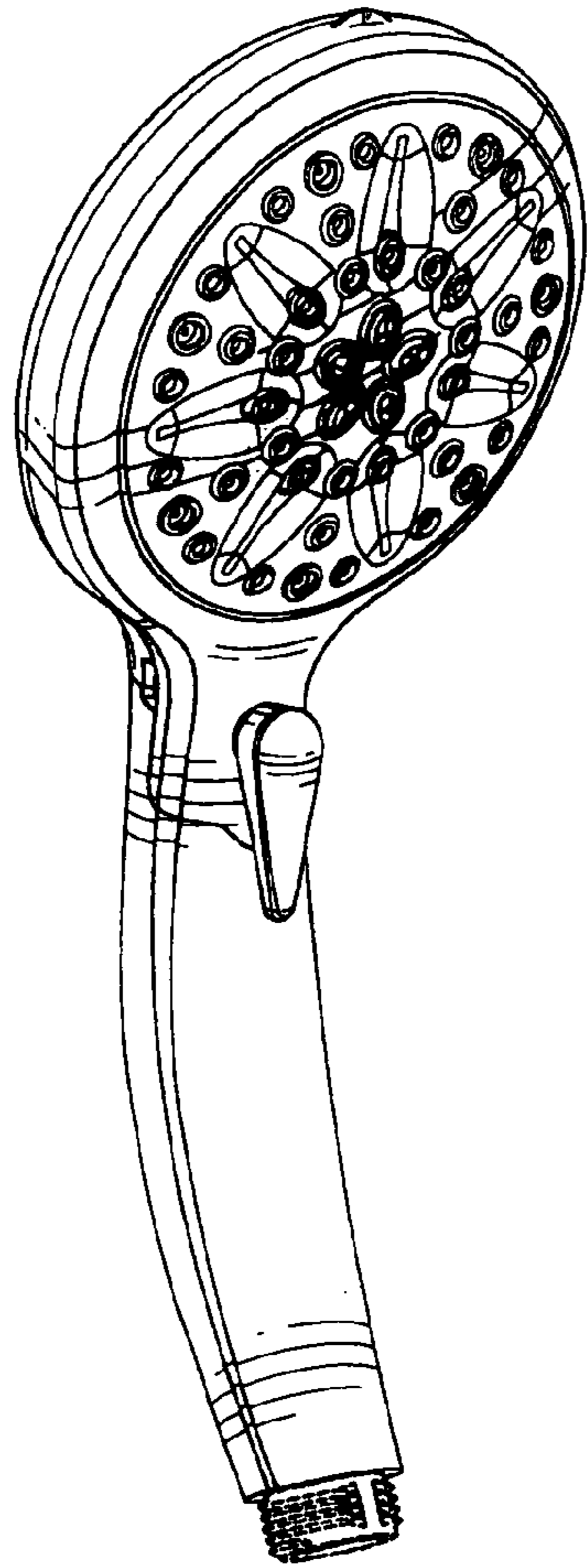


Fig-1

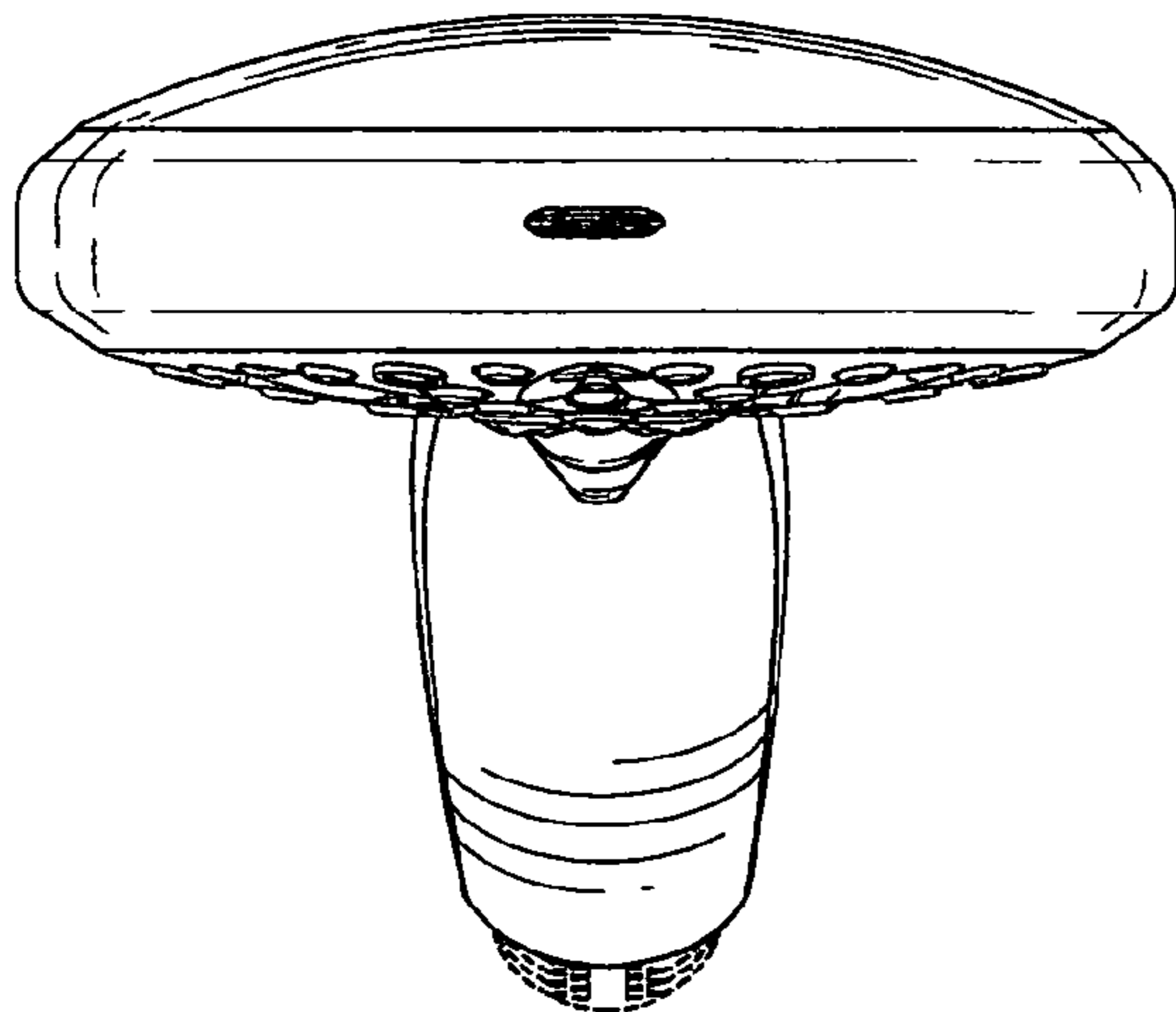


Fig-2

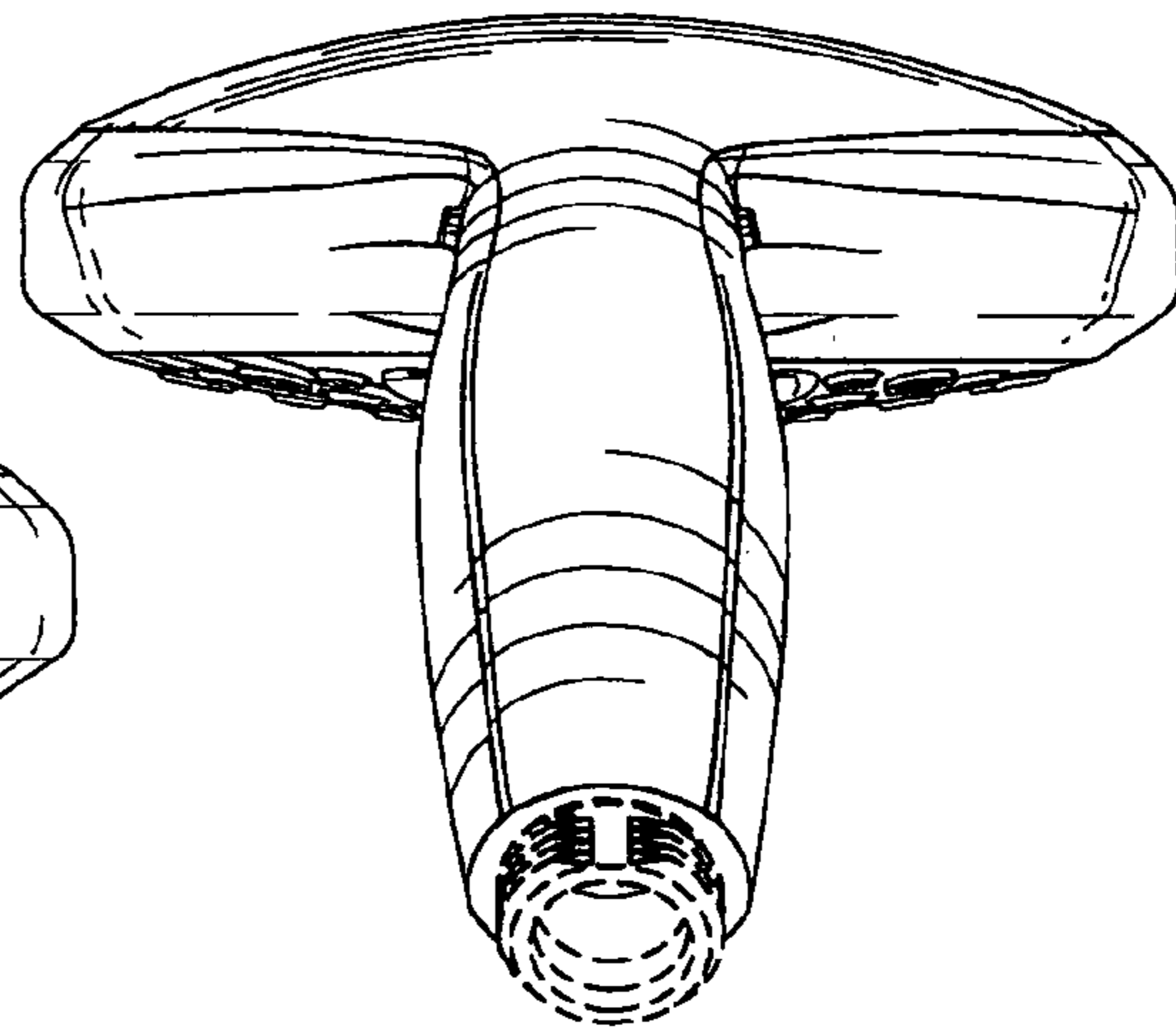


Fig-3

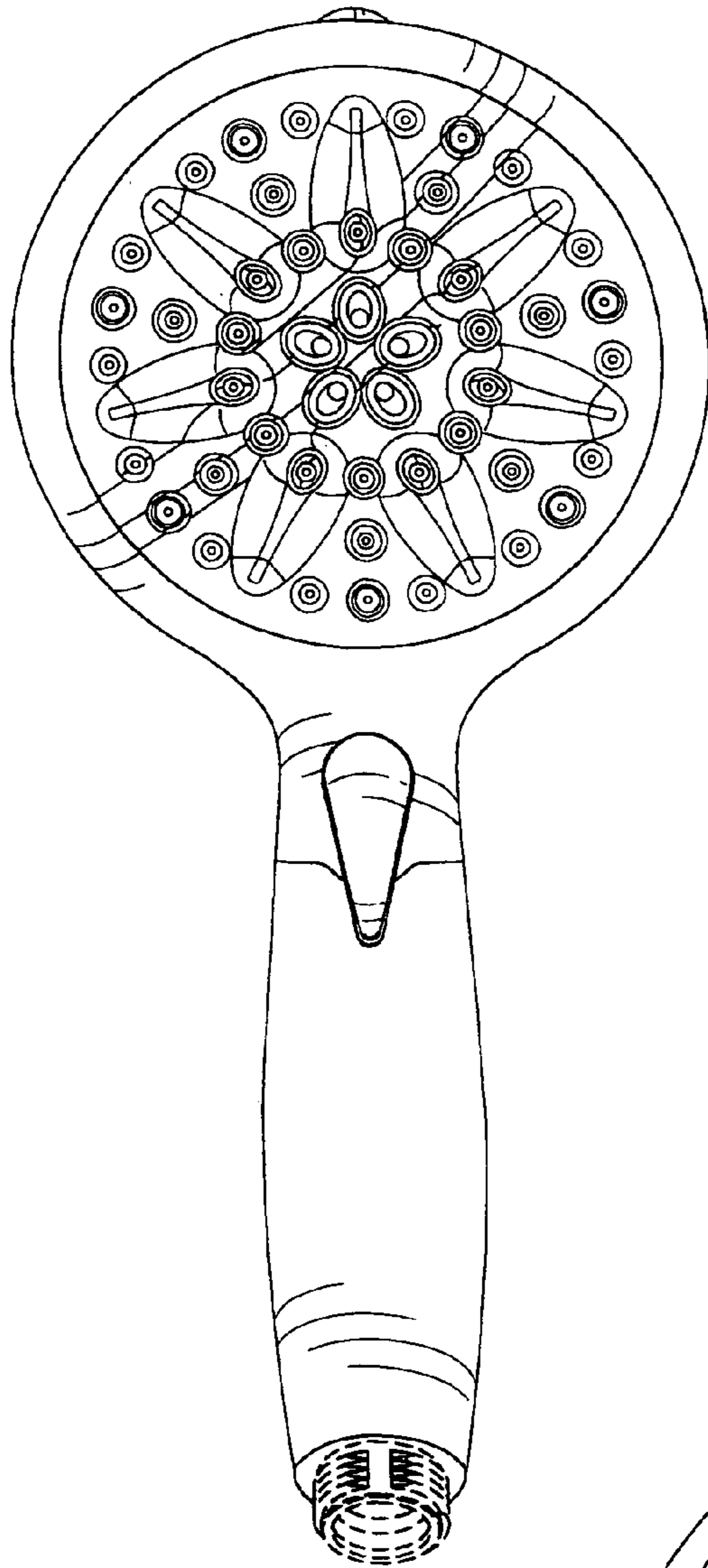


Fig-4

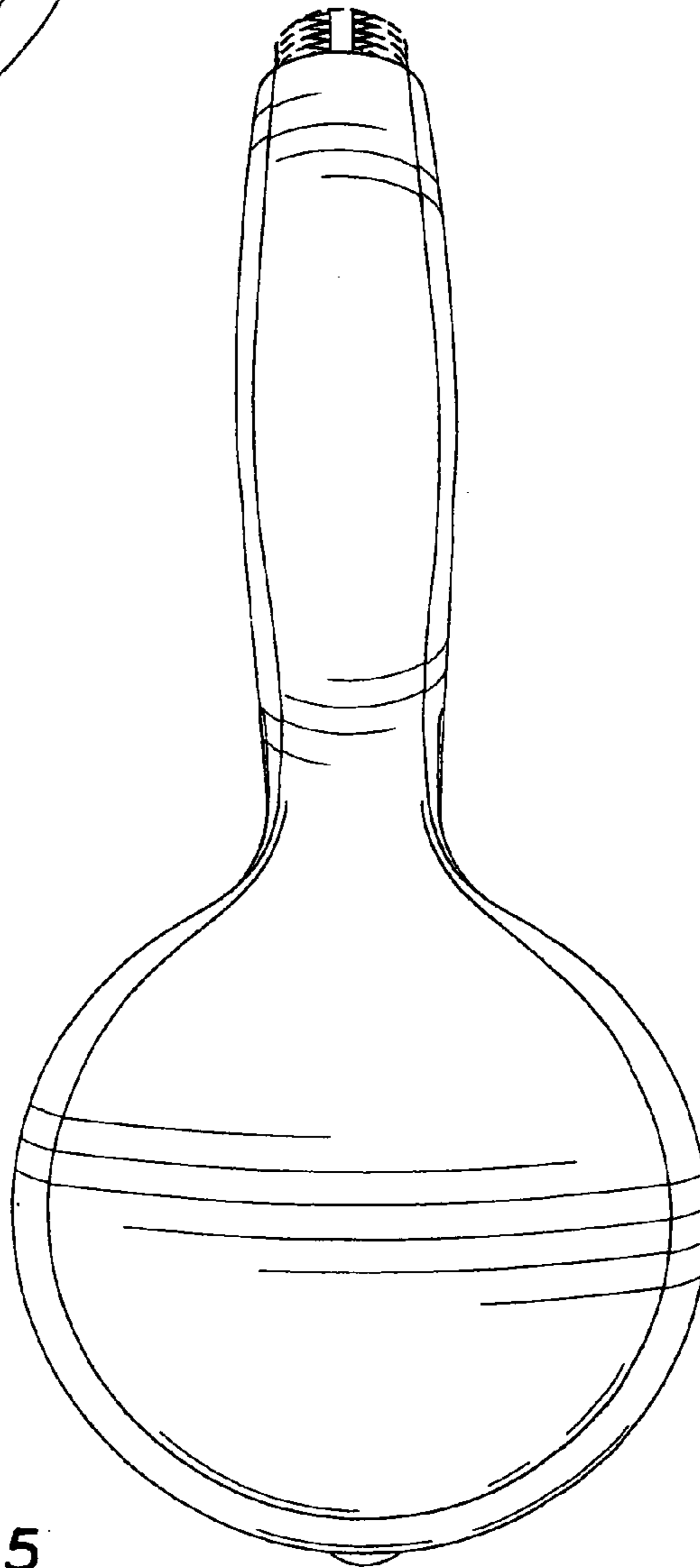


Fig-5

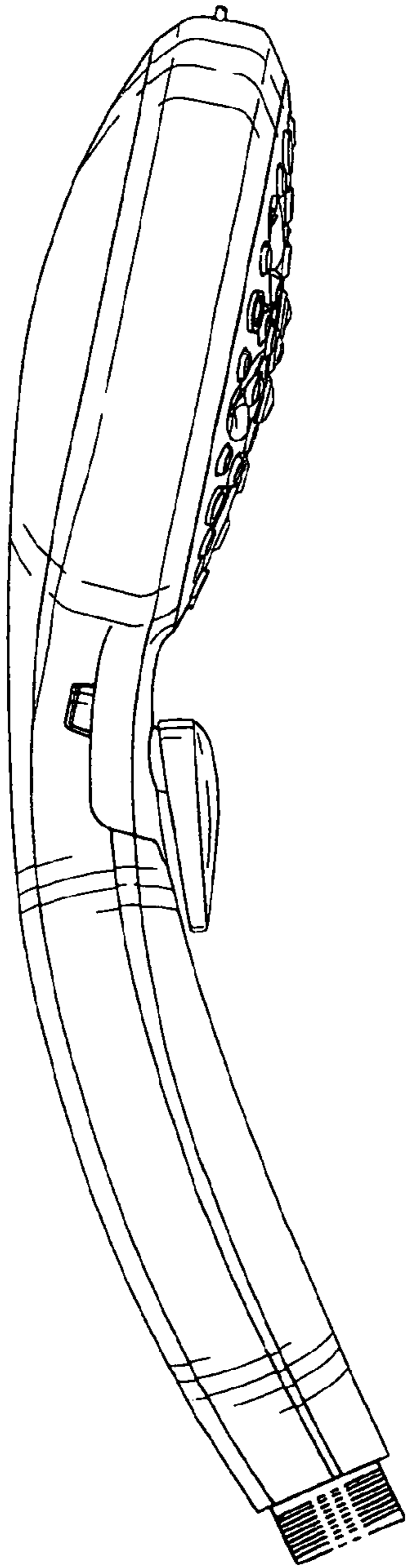


Fig-6

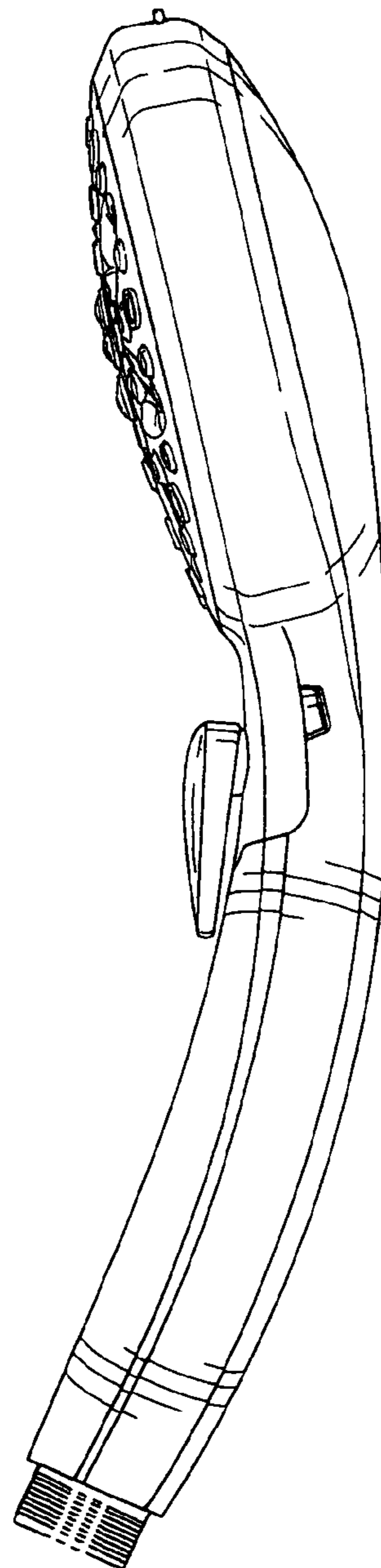


Fig-7