

US00D672010S

(12) **United States Design Patent**
Verdeflor et al.

(10) **Patent No.:** **US D672,010 S**
(45) **Date of Patent:** **** Dec. 4, 2012**

(54) **ADJUSTABLE CHEMICAL VAPOR
DEPOSITION SHOWERHEAD ASSEMBLY**

(75) Inventors: **Percival Verdeflor**, Fremont, CA (US);
Alan Popiolkowski, Los Banos, CA
(US); **Evan Patton**, Portland, OR (US)

(73) Assignee: **Novellus Systems, Inc.**, San Jose, CA
(US)

(**) Term: **14 Years**

(21) Appl. No.: **29/416,016**

(22) Filed: **Mar. 16, 2012**

(51) **LOC (9) Cl.** **23-01**

(52) **U.S. Cl.** **D23/213**

(58) **Field of Classification Search** D23/213,
D23/223, 226, 229, 230, 228; 4/615; 239/282-283,
239/462

See application file for complete search history.

(56) **References Cited**

U.S. PATENT DOCUMENTS

D512,120 S *	11/2005	Haug et al.	D23/213
D524,904 S *	7/2006	Hoernig	D23/213
D540,424 S *	4/2007	Kirar	D23/213
D556,855 S *	12/2007	Mullenmeister et al.	D23/213
D559,952 S *	1/2008	Bickler et al.	D23/229

* cited by examiner

Primary Examiner — Robin V Webster

(74) *Attorney, Agent, or Firm* — Weaver Austin Villeneuve
& Sampson LLP

(57) **CLAIM**

We claim the ornamental design for an adjustable chemical
vapor deposition showerhead assembly, as shown and
described.

DESCRIPTION

FIG. 1 is a front view of an adjustable chemical vapor depo-
sition showerhead assembly, showing our new design

FIG. 2 is a back view thereof.

FIG. 3 is a right side view thereof.

FIG. 4 is a left side view thereof.

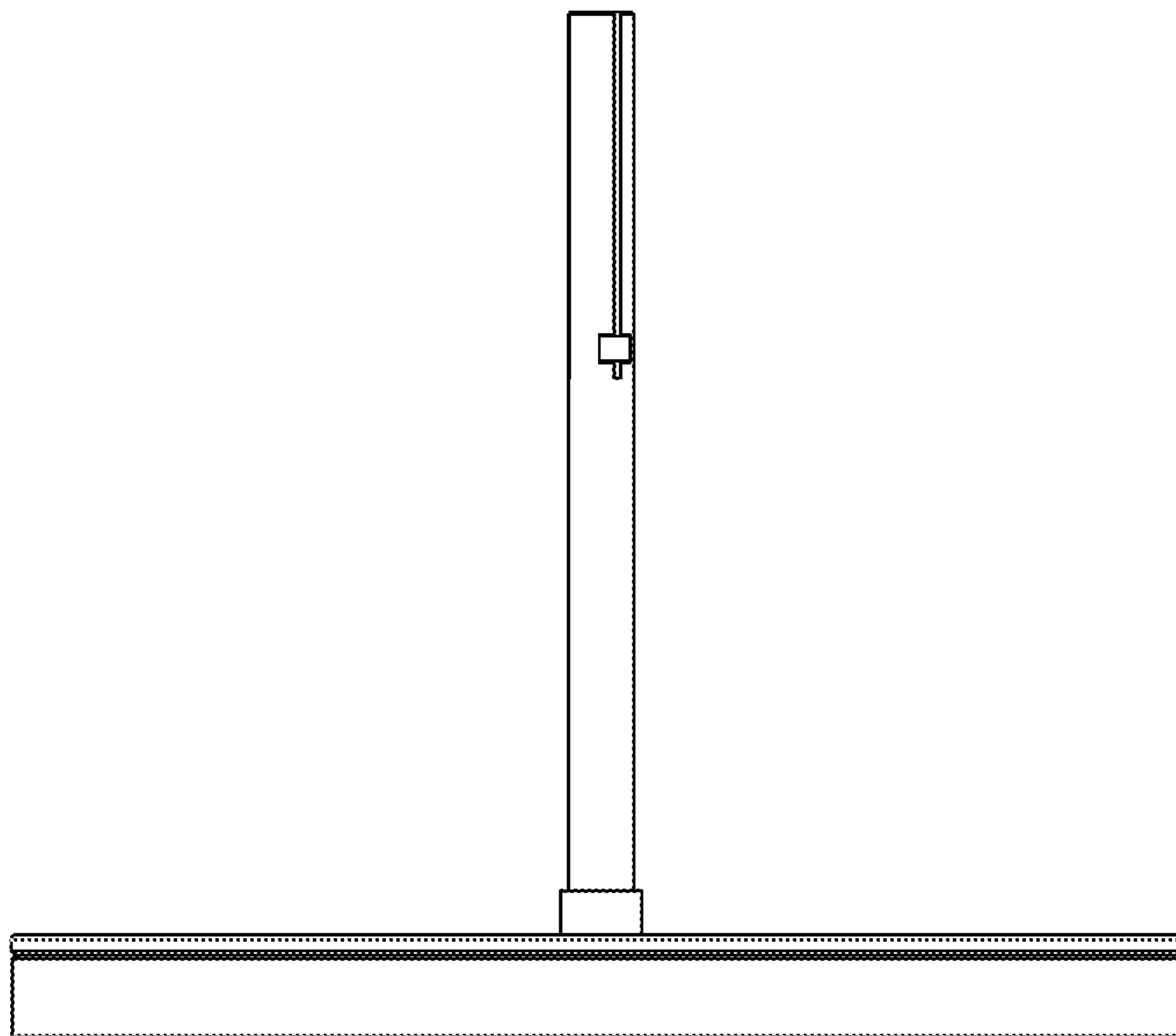
FIG. 5 is a top view thereof.

FIG. 6 is a bottom view thereof, wherein holes are represented
in dashed lines to indicate that they are for illustrative pur-
poses only and that the hole pattern does not form a part of the
claimed design.

FIG. 7 is an isometric top, front view thereof; and,

FIG. 8 is an expanded isometric view of the top-most portion
of the adjustable chemical vapor deposition showerhead
assembly shown in FIG. 7.

1 Claim, 8 Drawing Sheets



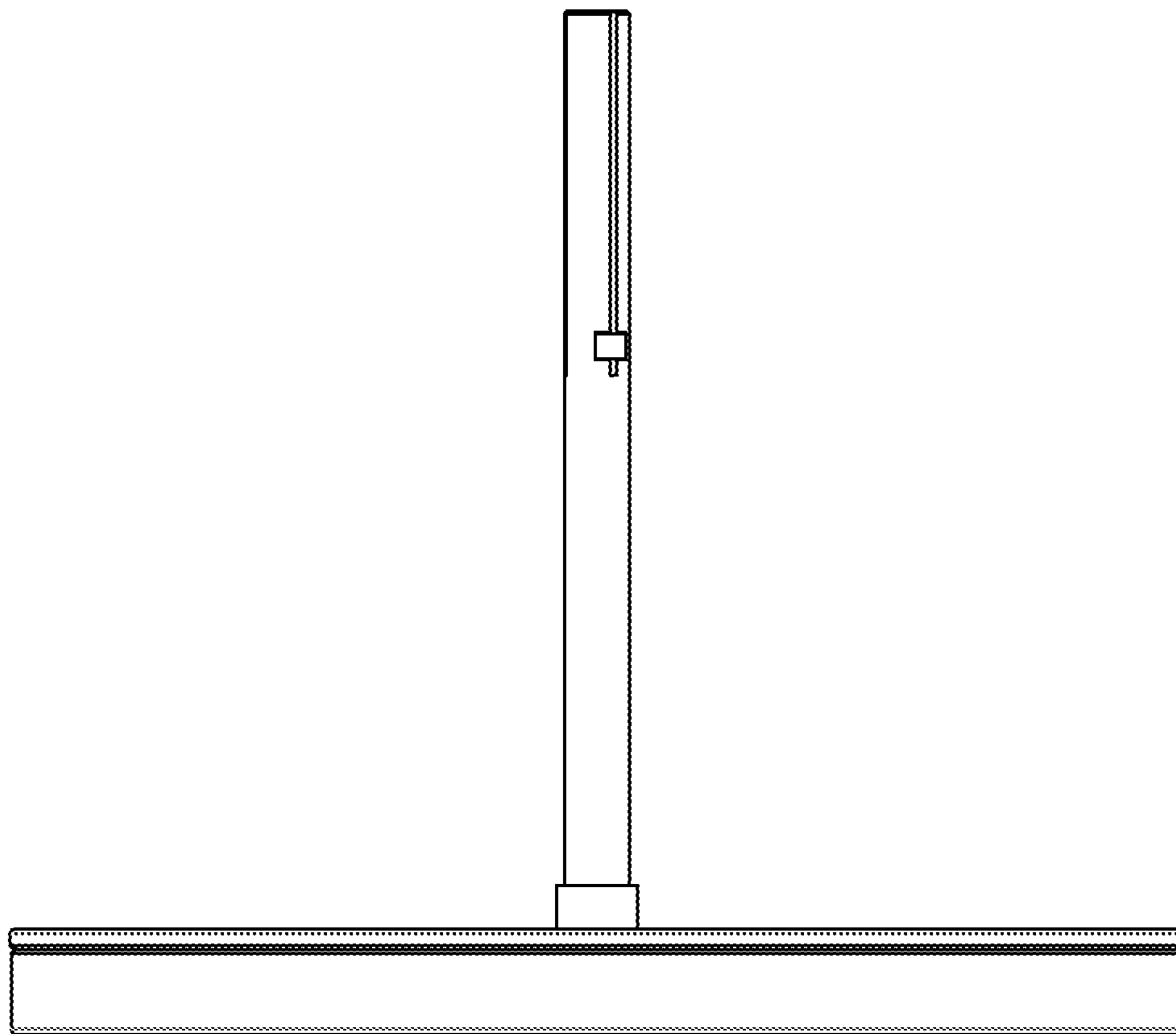


FIG. 1

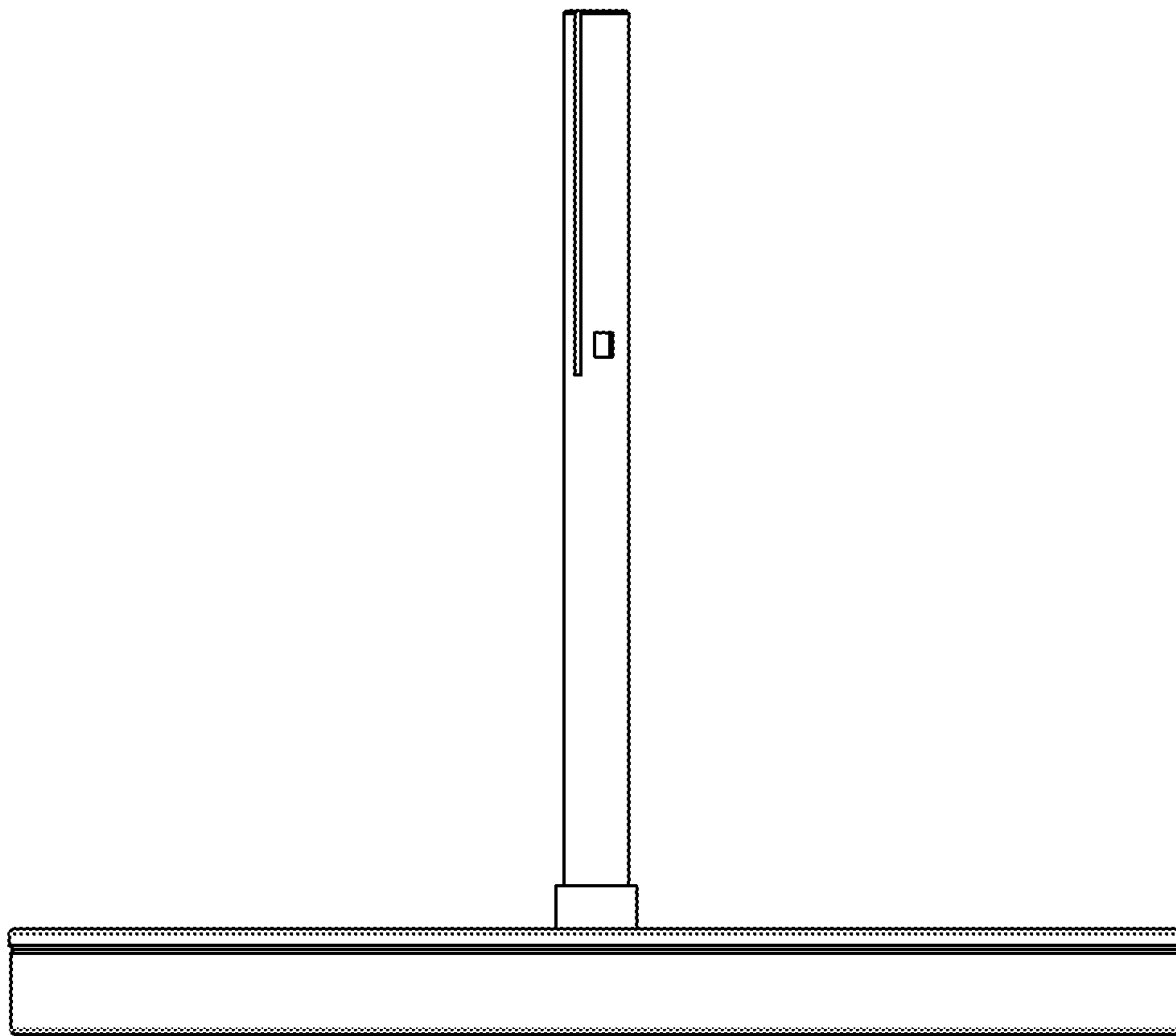


FIG. 2

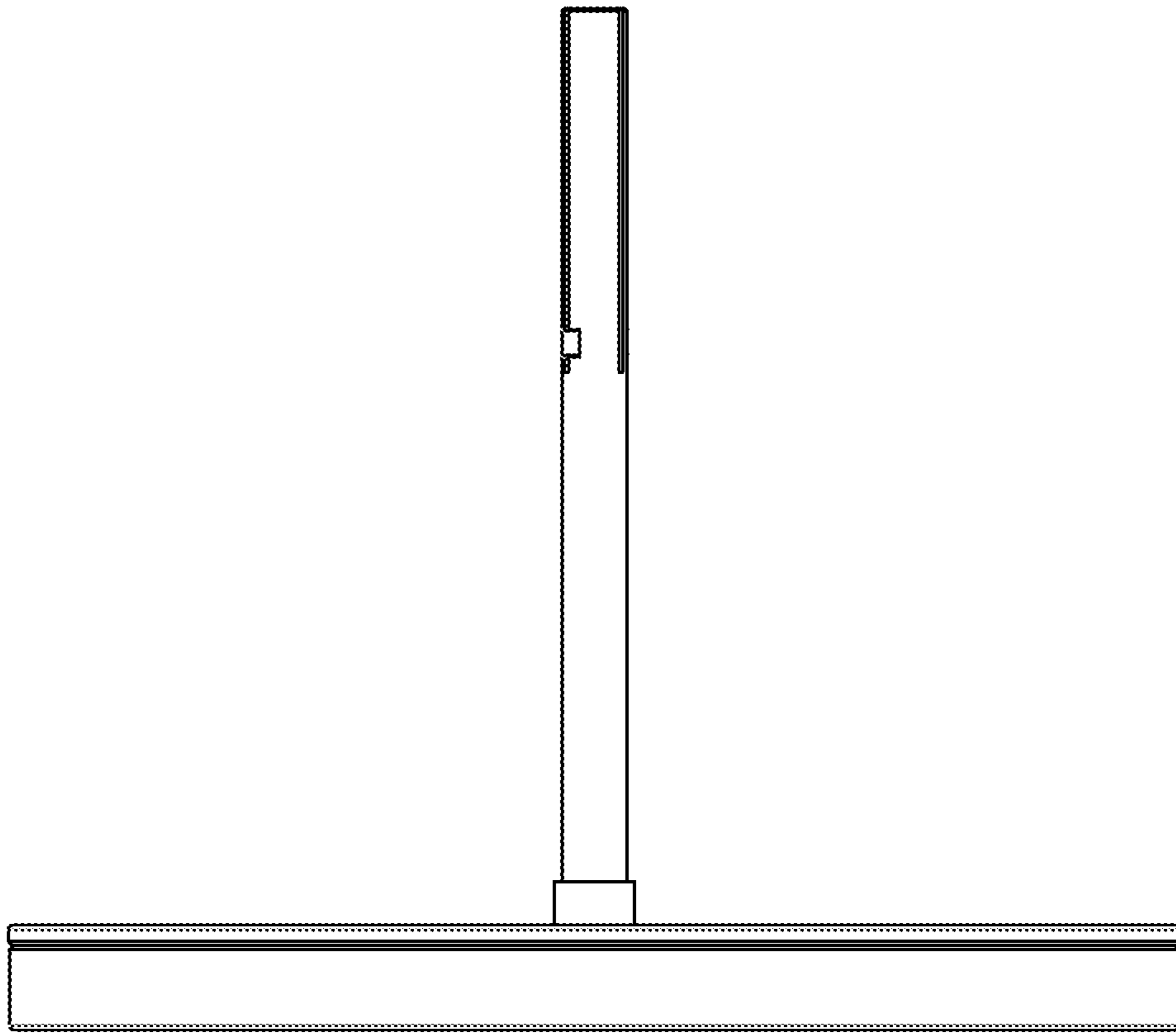


FIG. 3

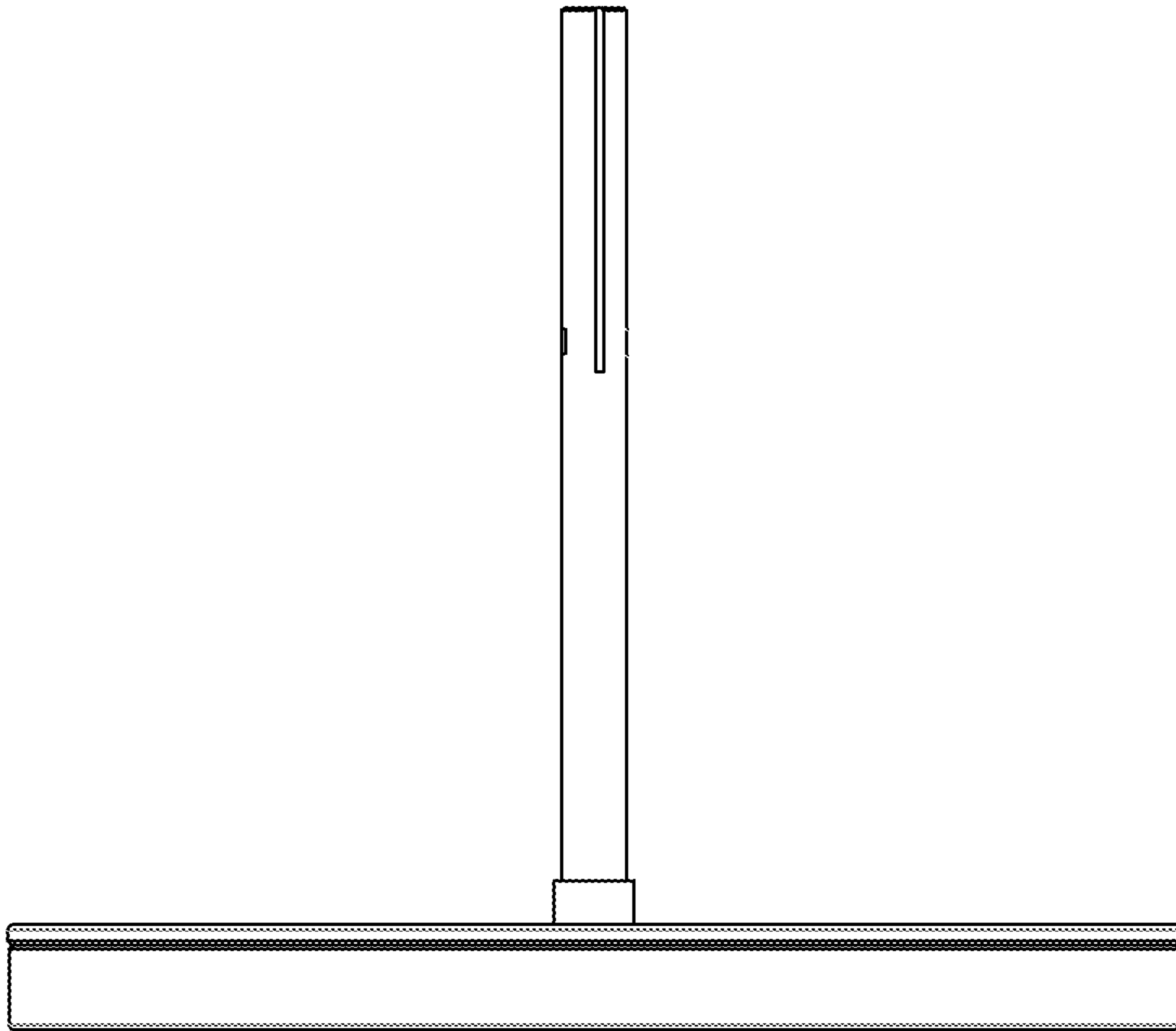


FIG. 4

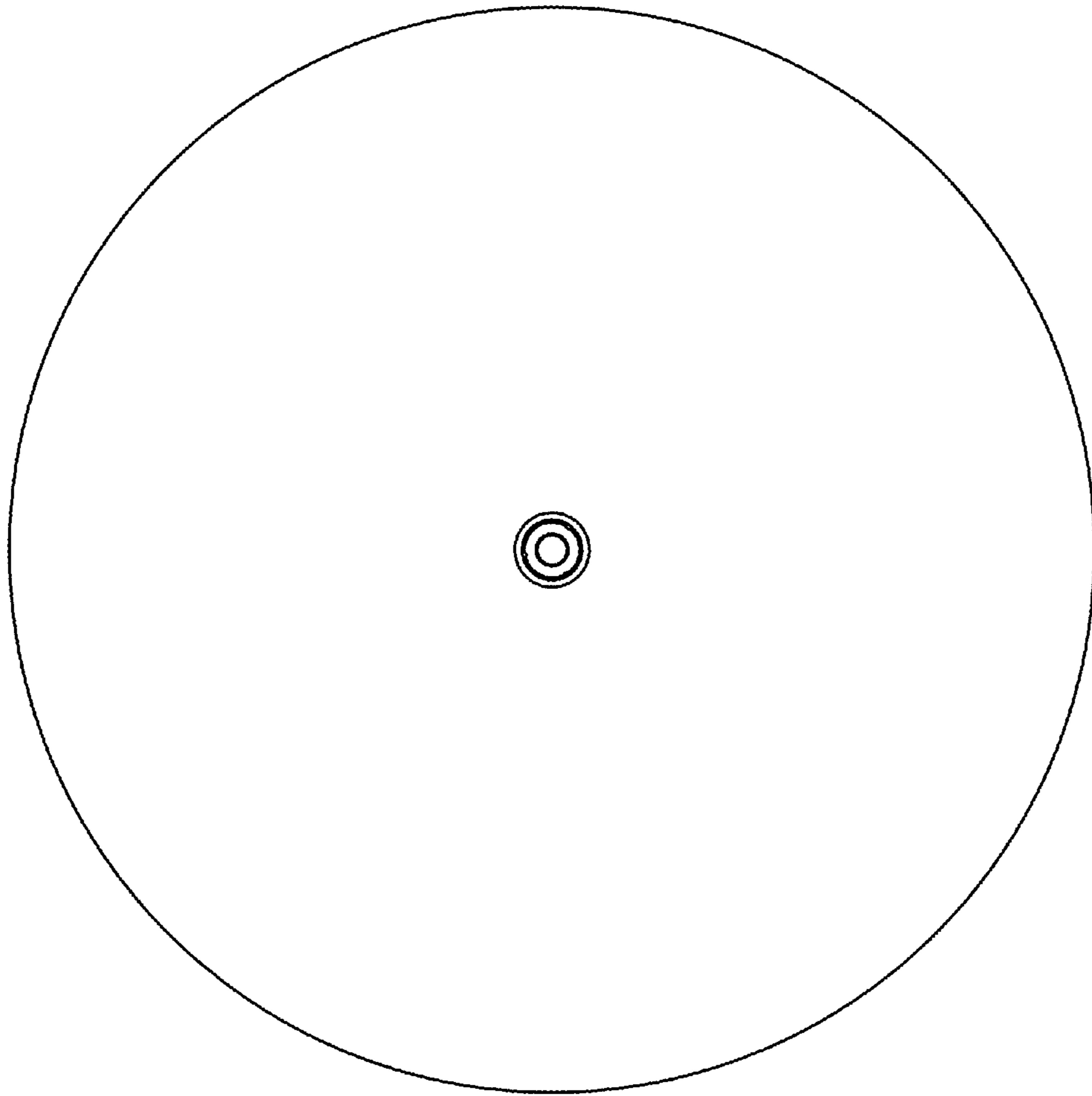


FIG. 5

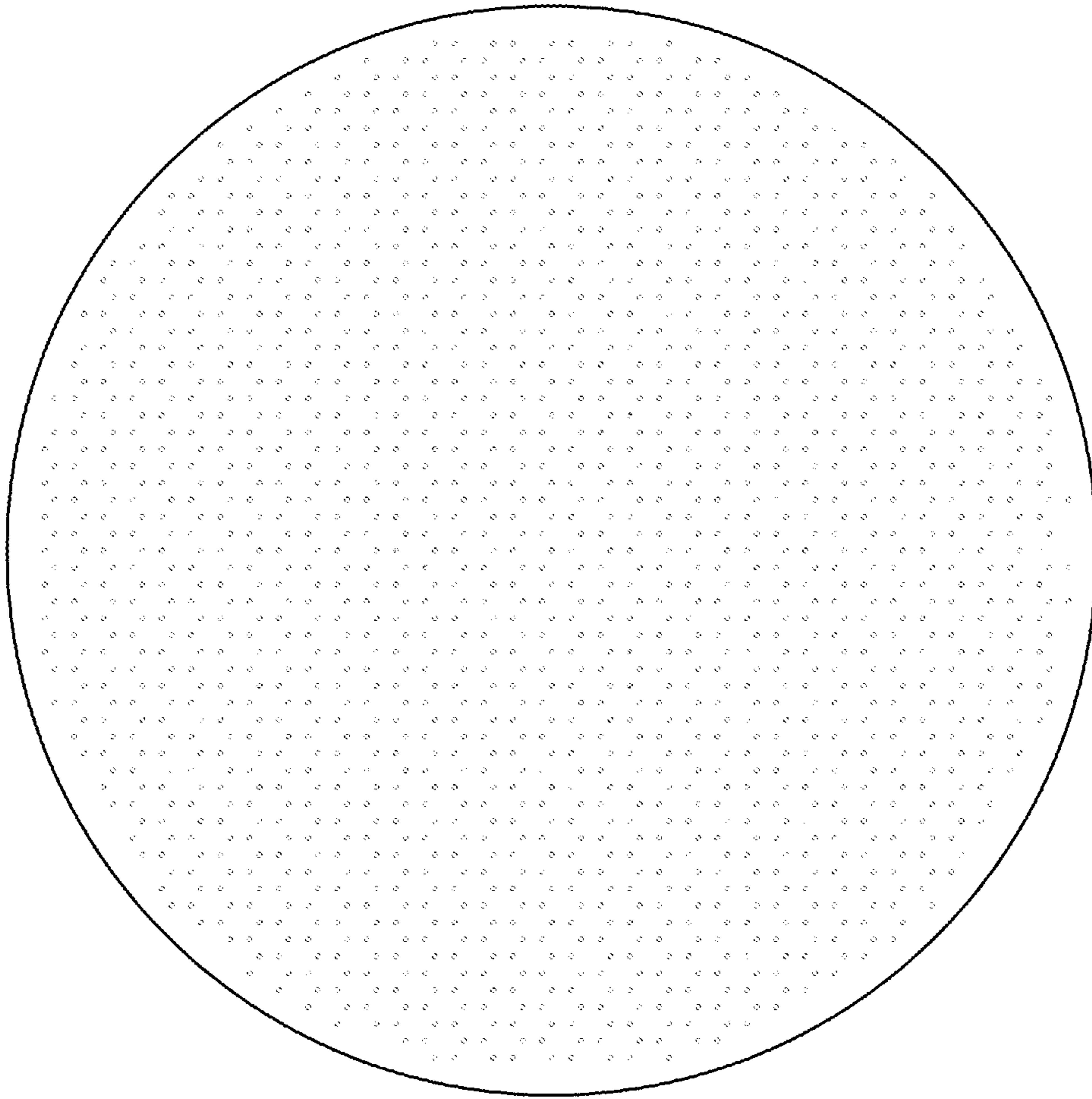


FIG. 6

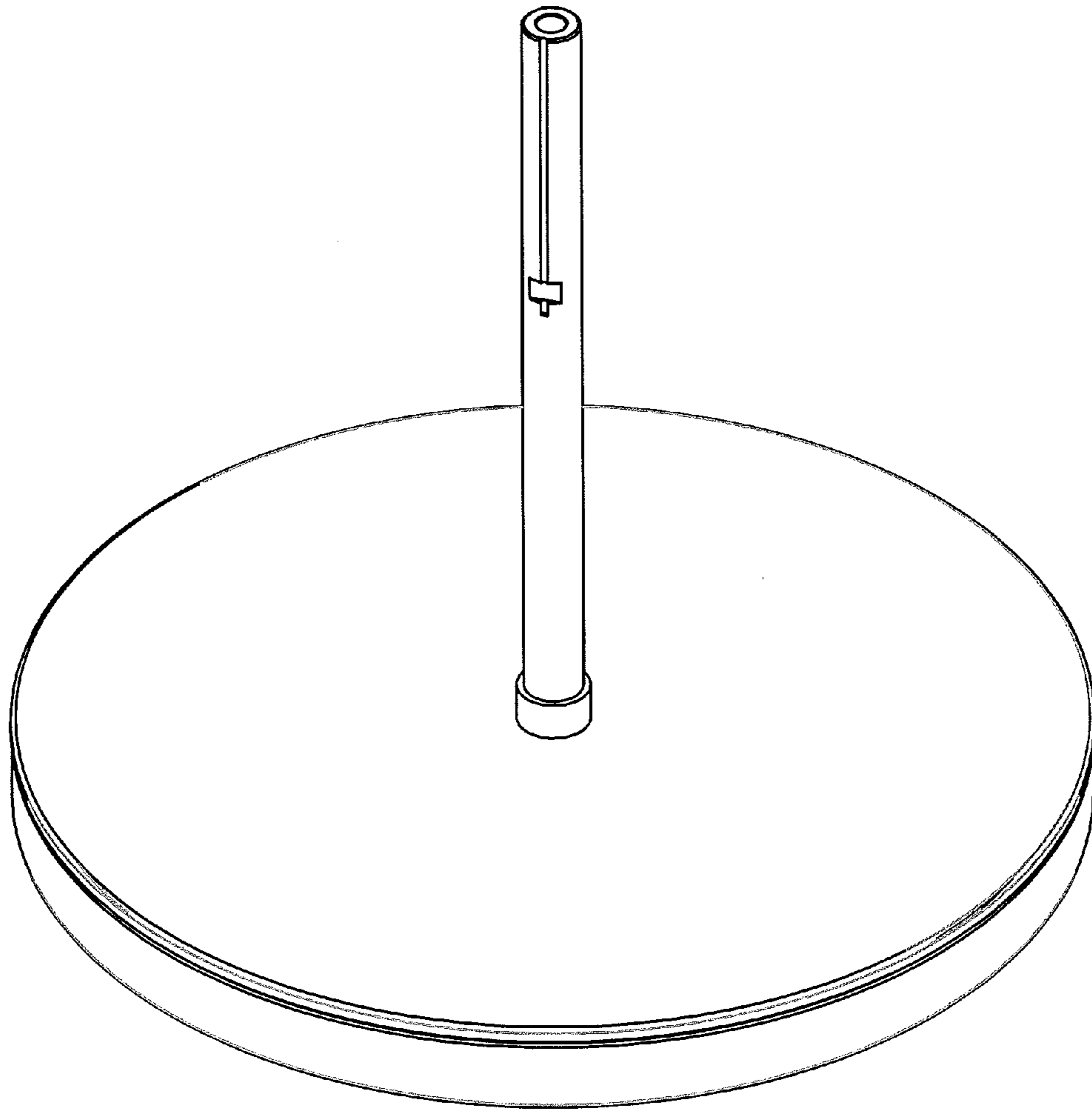


FIG. 7

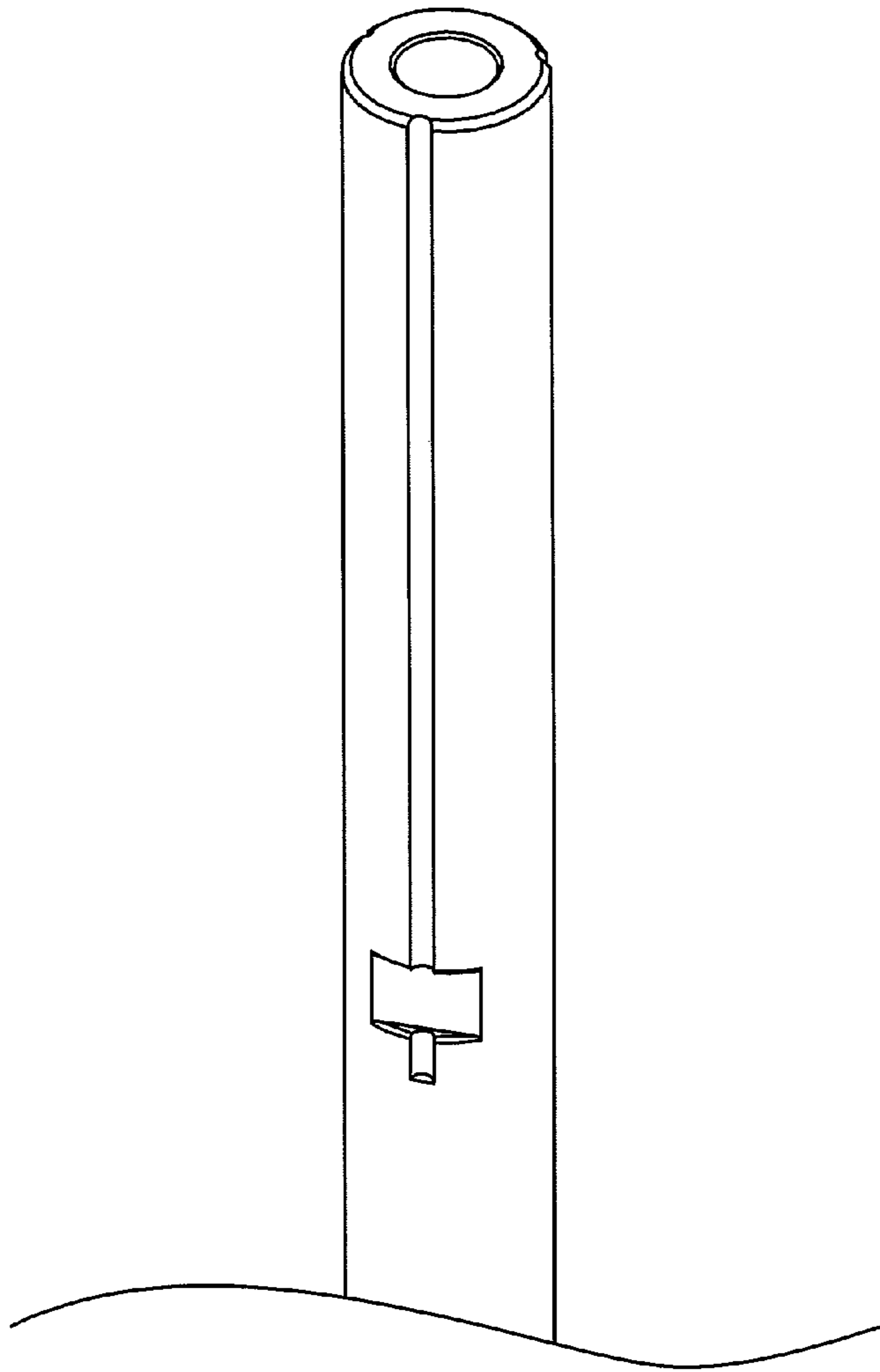


FIG. 8