



US00D672007S

(12) **United States Design Patent**  
**Thomas**

(10) **Patent No.:** **US D672,007 S**  
(45) **Date of Patent:** **\*\* Dec. 4, 2012**

(54) **SNAG-LESS FISHING ROD GUIDE DESIGNS**

(75) Inventor: **Bailus Dee Thomas**, Brentwood, CA  
(US)

(73) Assignee: **Dee Thomas Fishing LLC**, Palo Alto,  
CA (US)

(\*\*) Term: **14 Years**

(21) Appl. No.: **29/366,085**

(22) Filed: **Jul. 19, 2010**

(51) **LOC (9) Cl.** ..... **22-05**

(52) **U.S. Cl.** ..... **D22/143**

(58) **Field of Classification Search** ..... D22/143,  
D22/137-142; 43/25.2, 24; 242/157 R  
See application file for complete search history.

(56) **References Cited**

U.S. PATENT DOCUMENTS

1,078,589	A *	11/1913	Meyer	.....	43/24
D108,720	S *	3/1938	Morgan	.....	D22/143
D139,411	S *	11/1944	Treadway	.....	D22/143
4,215,504	A *	8/1980	Ohmura	.....	43/24
4,873,780	A *	10/1989	Lancette	.....	43/25.2

\* cited by examiner

*Primary Examiner* — Catheri Oliver-Garcia

(74) *Attorney, Agent, or Firm* — Richard T. Ogawa; Ogawa P.C.

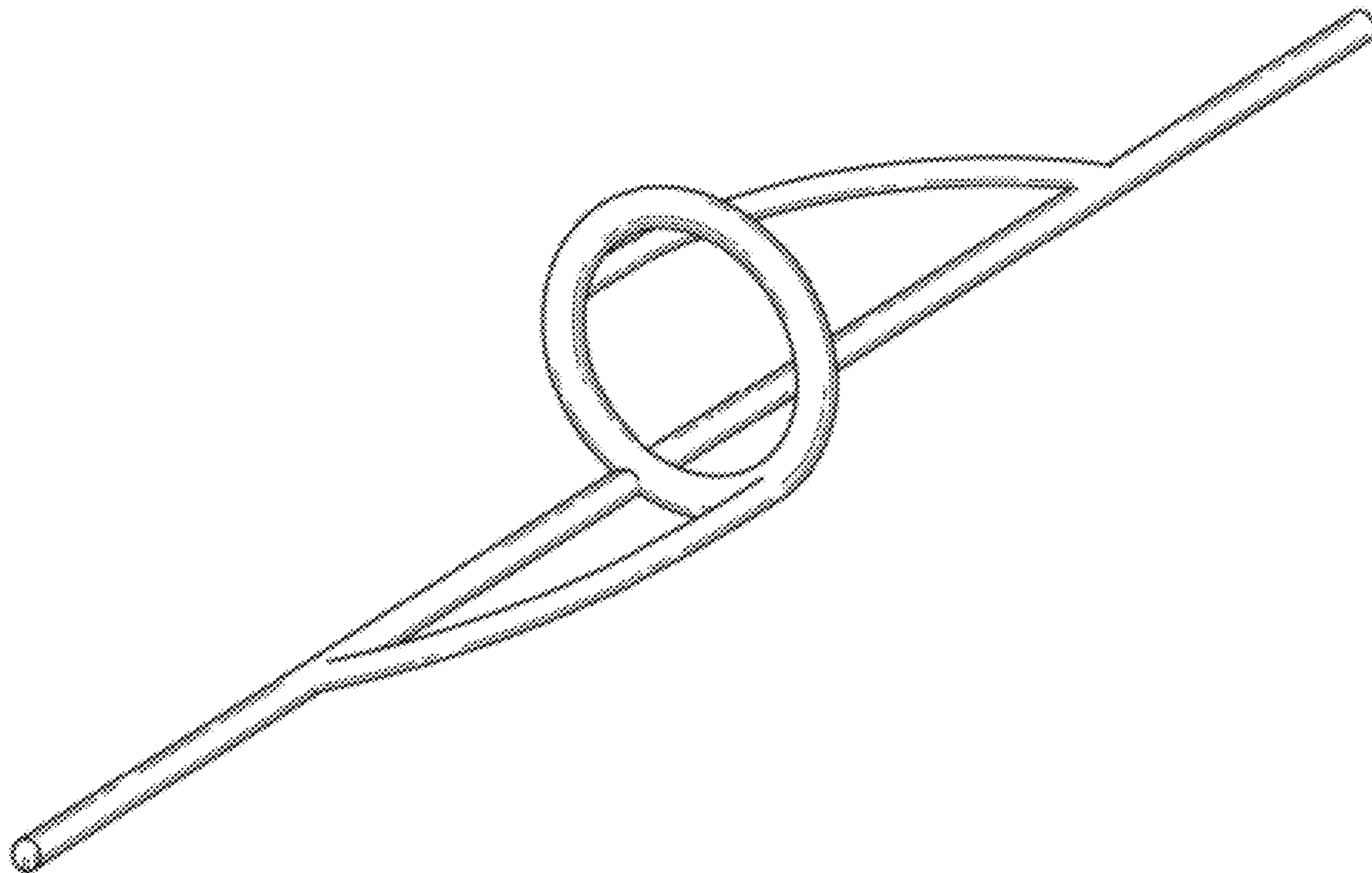
(57) **CLAIM**

The ornamental design for snag-less fishing rod guide design, as shown and described.

**DESCRIPTION**

FIG. 1 is a perspective view of a fishing rod guide showing an embodiment of my new design;  
 FIG. 2 is a perspective view of a fishing rod guide on a fishing rod as background for the fishing rod guide of FIG. 1;  
 FIGS. 3, 4, 5, and 6 are respectively side-view, top-view, bottom-view, and center-view of the fishing rod guide of FIG. 1;  
 FIG. 7 is a perspective view of a fishing rod guide showing an embodiment of my new design;  
 FIG. 8 is a perspective view of a fishing rod guide on a fishing rod as background for the fishing rod guide of FIG. 7; and,  
 FIGS. 9, 10, 11, and 12 are respectively side-view, top-view, bottom-view, and center-view of the fishing rod guide of FIG. 7.  
 The dashed lines are shown for illustrative purposes only and form no part of the claimed design.

**1 Claim, 6 Drawing Sheets**



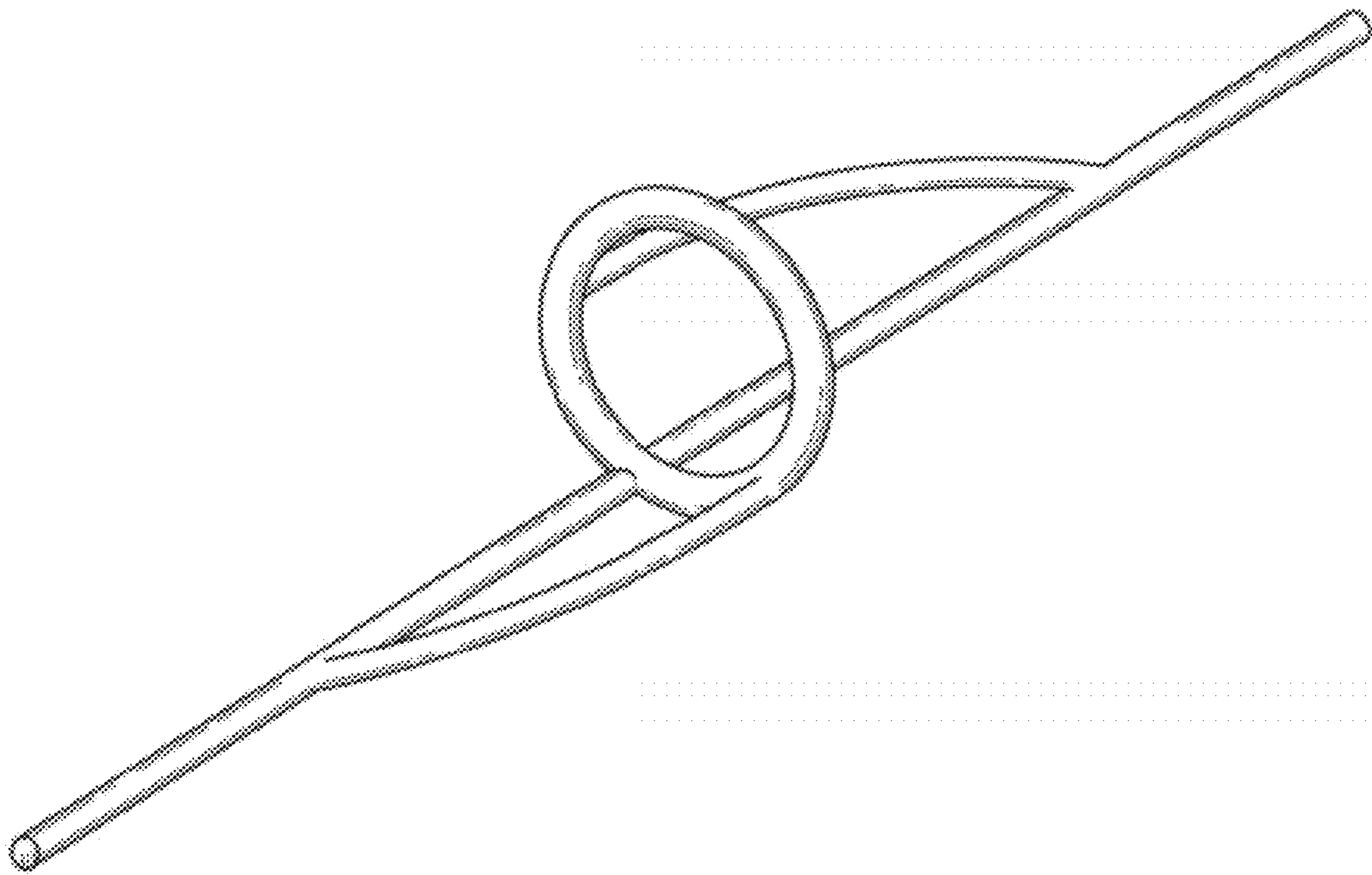


FIG. 1

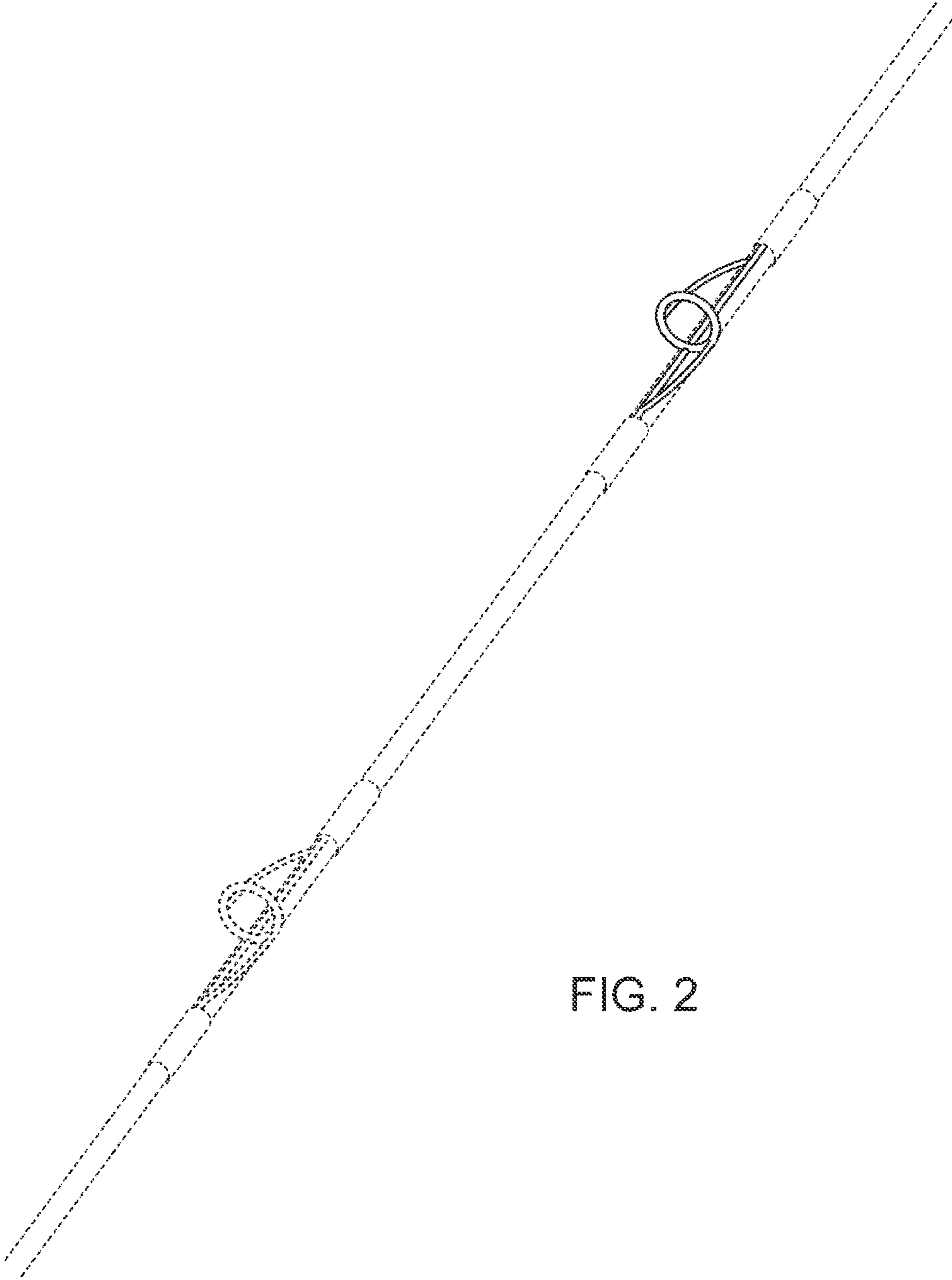


FIG. 2

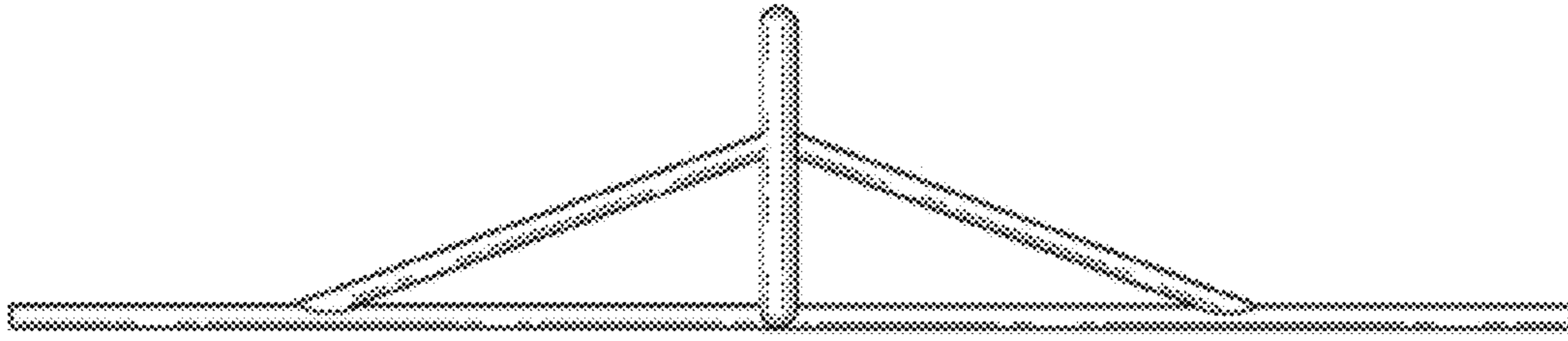


FIG. 3

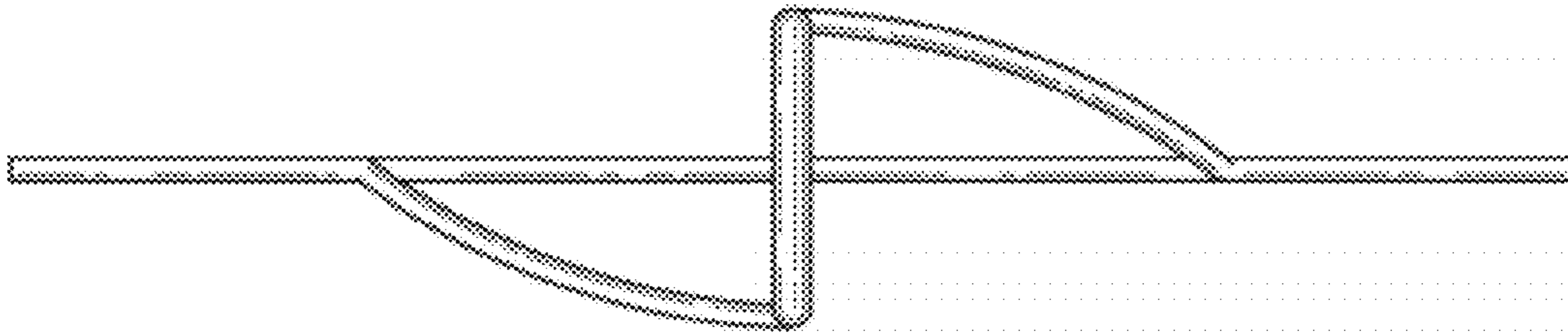


FIG. 4

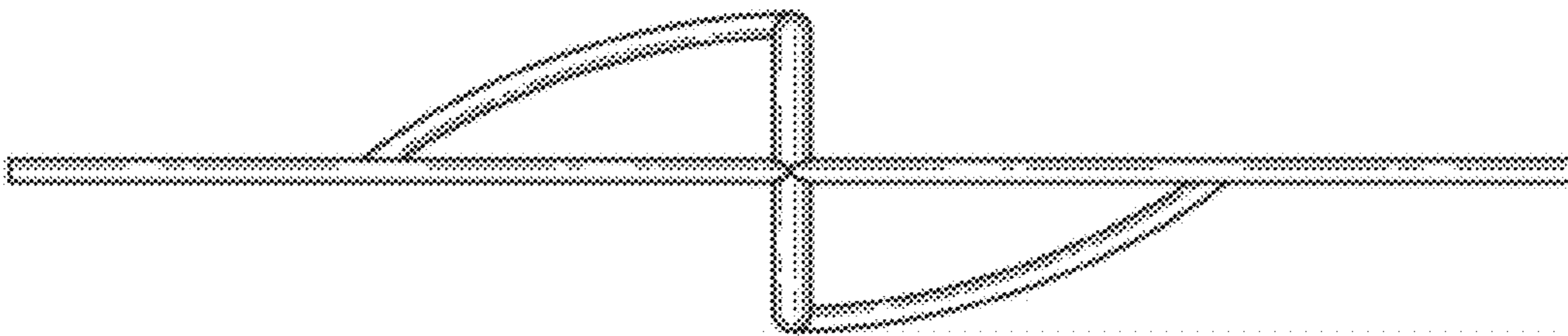


FIG. 5

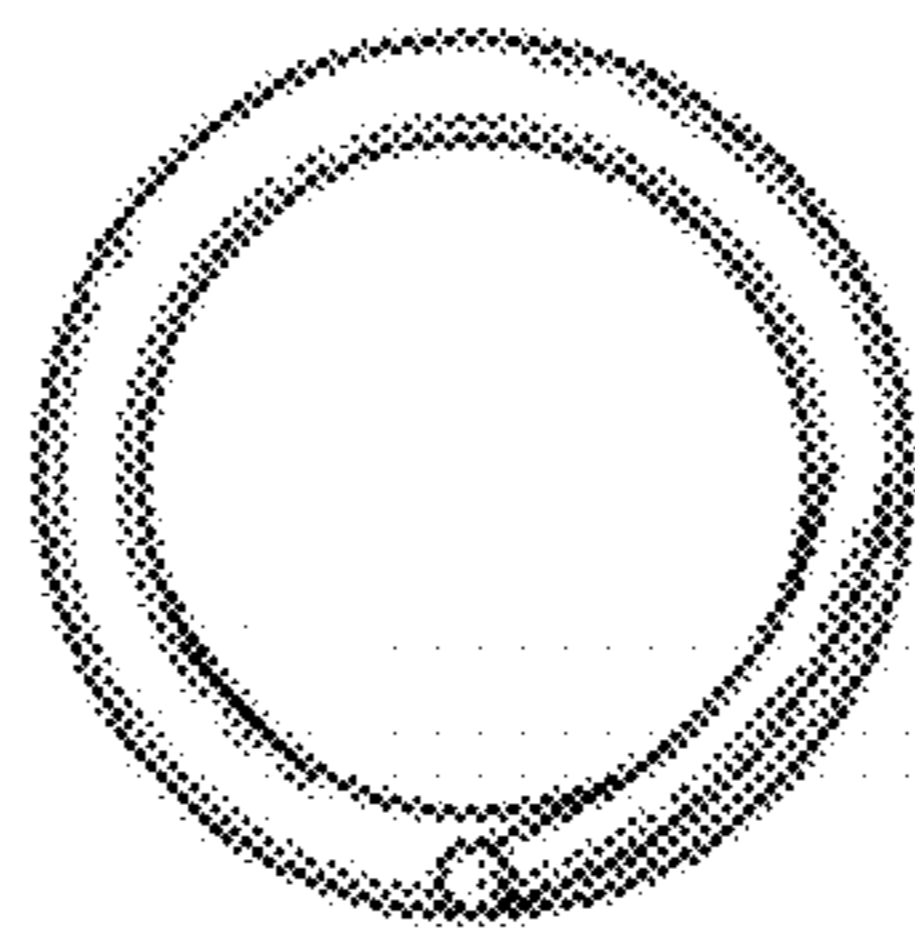


FIG. 6

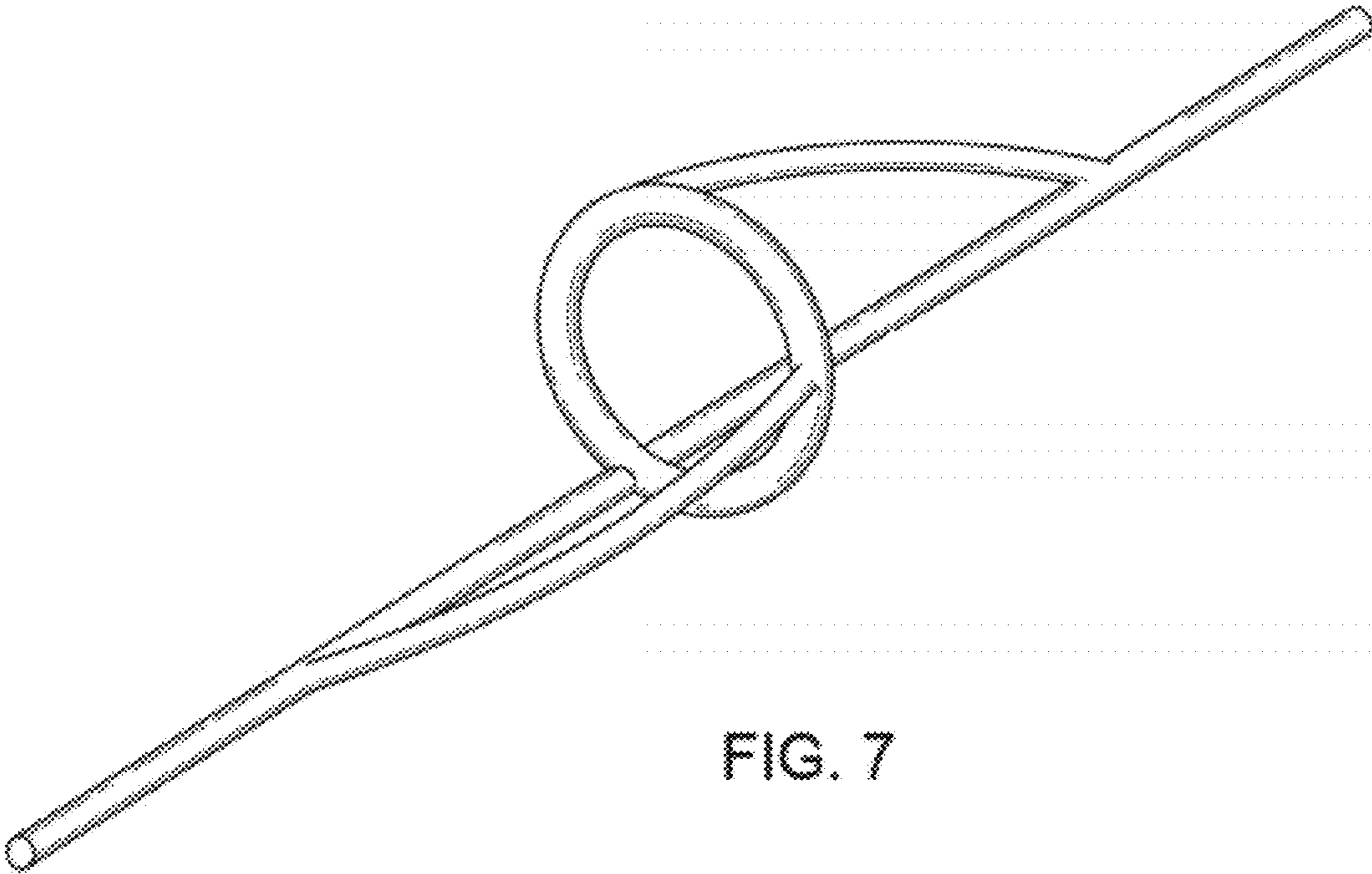


FIG. 7

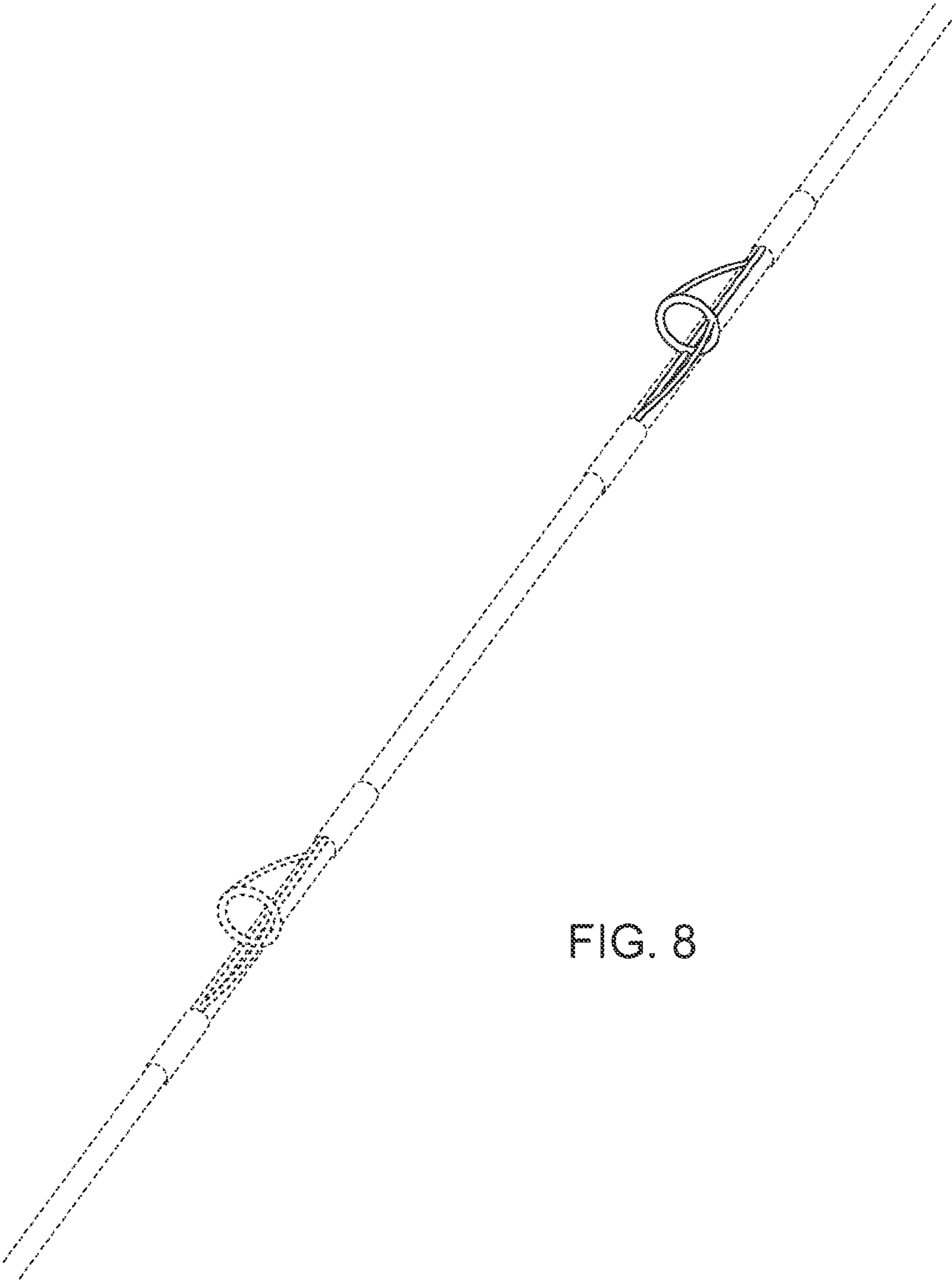


FIG. 8



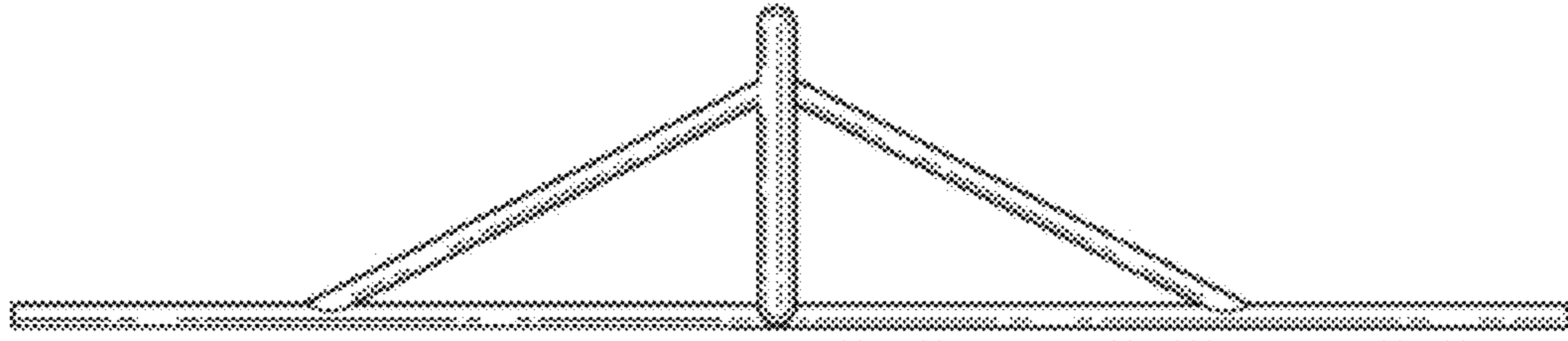


FIG. 9

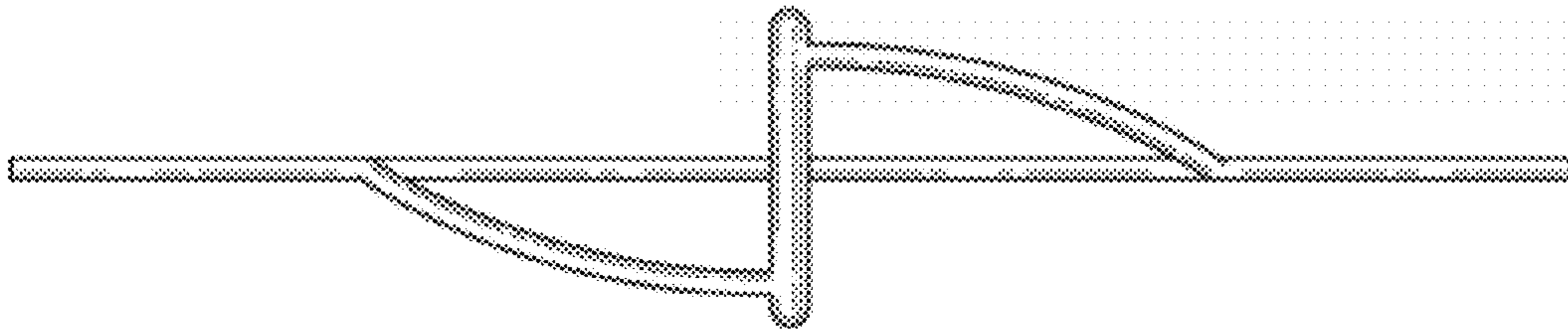


FIG. 10

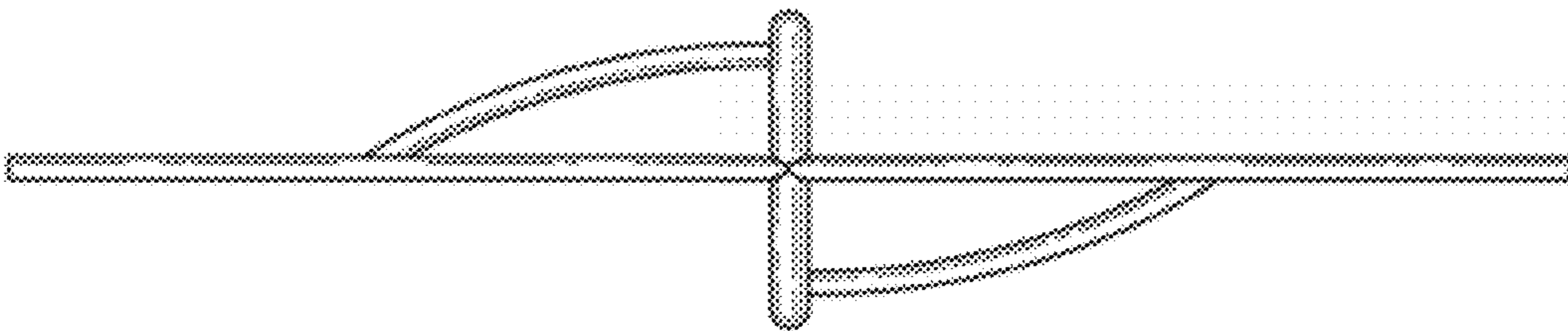


FIG. 11

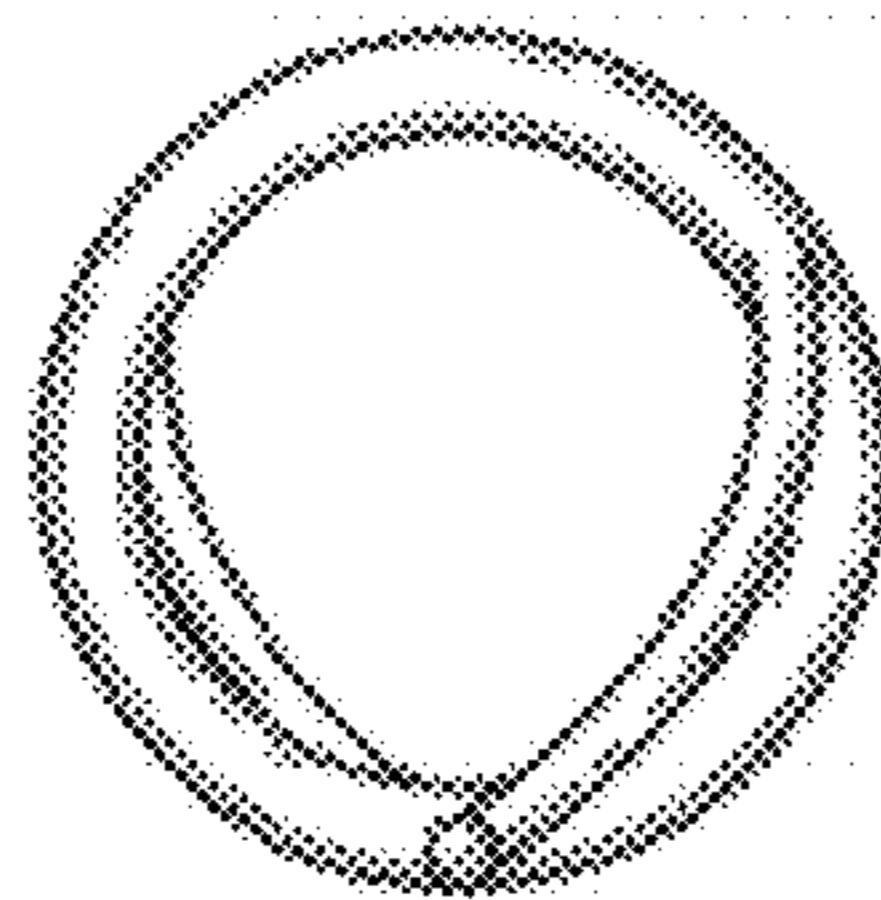


FIG. 12