



US00D672006S

(12) **United States Design Patent**  
**Mok**

(10) **Patent No.:** **US D672,006 S**

(45) **Date of Patent:** **\*\* Dec. 4, 2012**

(54) **CASING FOR A PYROTECHNIC TRAINING UNIT**

(75) **Inventor:** **James L. Mok**, San Deigo, CA (US)

(73) **Assignee:** **Pacific Coast Systems**, Asbury, NJ (US)

(\*\*) **Term:** **14 Years**

(21) **Appl. No.:** **29/383,033**

(22) **Filed:** **Jan. 11, 2011**

(51) **LOC (9) Cl.** ..... **22-03**

(52) **U.S. Cl.** ..... **D22/112**

(58) **Field of Classification Search** ..... D22/100-115,  
D22/119; 102/293, 363, 368, 428, 529; D29/128;  
434/11-27

See application file for complete search history.

(56) **References Cited**

**U.S. PATENT DOCUMENTS**

2,108,818	A *	2/1938	Huff et al. ....	102/395
2,962,965	A	12/1960	Farnsworth et al.	
3,336,870	A	8/1967	Gunyan et al.	
4,245,403	A	1/1981	Hipp	
4,307,665	A	12/1981	Block et al.	
4,438,700	A *	3/1984	Knapp ..... 102/334	
5,117,731	A	6/1992	Mendenhall	
5,460,096	A	10/1995	Kothe	
5,585,595	A	12/1996	Dix	
6,101,950	A	8/2000	Kothe	
6,502,343	B2	1/2003	Cheng	
6,599,127	B1	7/2003	Hopmeier et al.	
6,845,715	B2	1/2005	Sansolo	
7,066,320	B2	6/2006	Sansolo	
7,387,073	B2	6/2008	Bodley et al.	
7,507,089	B2	3/2009	Jones et al.	

7,878,100	B2 *	2/2011	Osterloh ..... 86/50
2007/0015115	A1	1/2007	Jones et al.
2009/0246740	A1 *	10/2009	Jones et al. .... 434/11
2009/0263765	A1	10/2009	Jones et al.
2011/0048271	A1 *	3/2011	Colon ..... 102/498
2012/0180679	A1	7/2012	Schaeffer et al.

\* cited by examiner

*Primary Examiner* — Michael Pratt

(74) *Attorney, Agent, or Firm* — Greenberg Traurig, LLP

(57) **CLAIM**

The ornamental design for a casing for a pyrotechnic training unit, as shown.

**DESCRIPTION**

FIG. 1 is a top perspective view of a casing of a pyrotechnic training unit wherein a firing block and a base are being shown in phantom as environmental structure;

FIG. 2 is a front elevational view of the casing shown in FIG. 1, without any environmental structure;

FIG. 3 is a rear elevational view of the casing shown in FIG. 1, without any environmental structure;

FIG. 4 is a left side elevational view of the casing shown in FIG. 1, without any environmental structure;

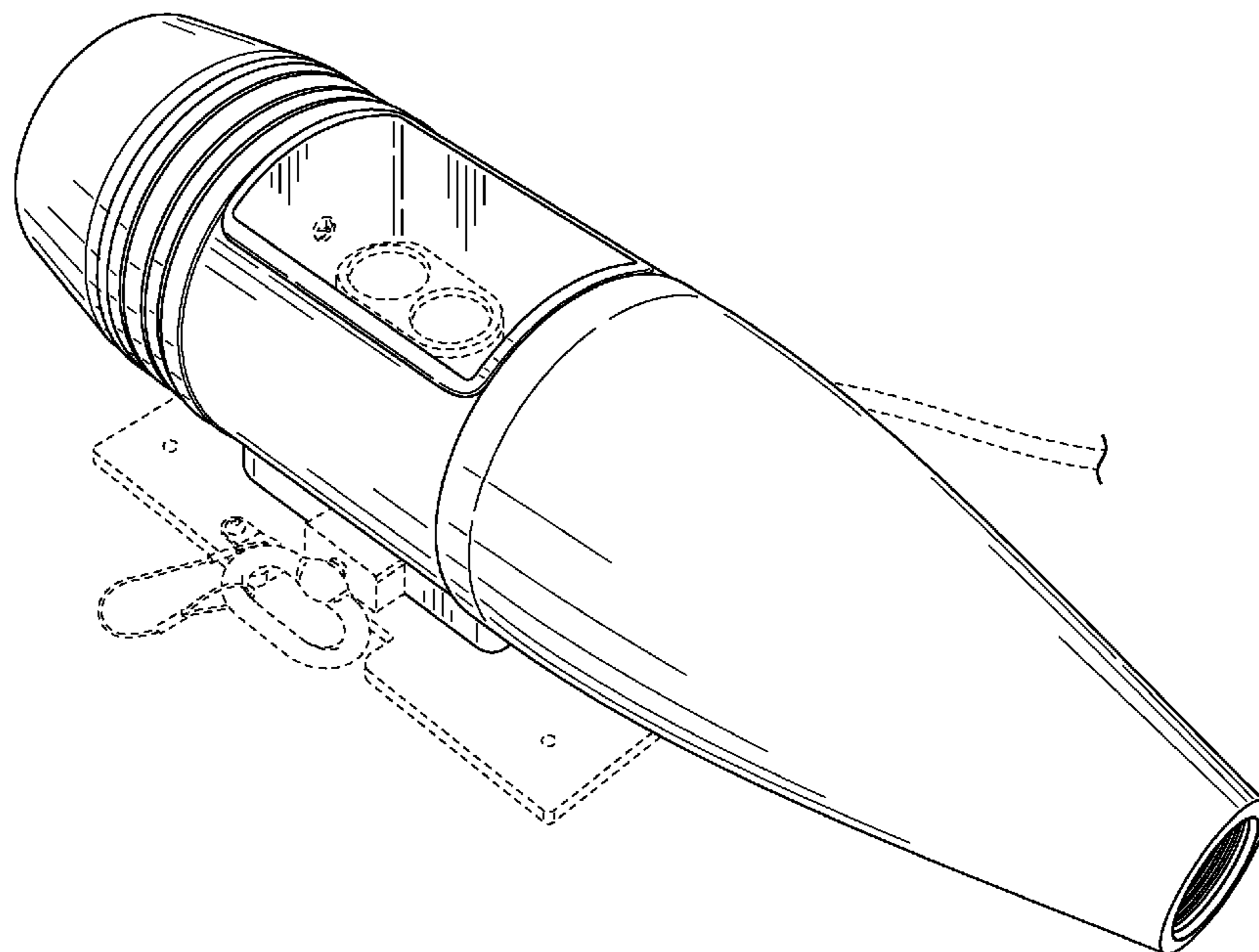
FIG. 5 is a right side elevational view of the casing shown in FIG. 1, without any environmental structure;

FIG. 6 is a top plan view of the casing shown in FIG. 1, without any environmental structure; and,

FIG. 7 is a bottom plan view of the casing shown in FIG. 1, without any environmental structure.

The broken line showing of portions of the pyrotechnic training unit is included for the purpose of illustrating environment and forms no part of the claimed design.

**1 Claim, 5 Drawing Sheets**



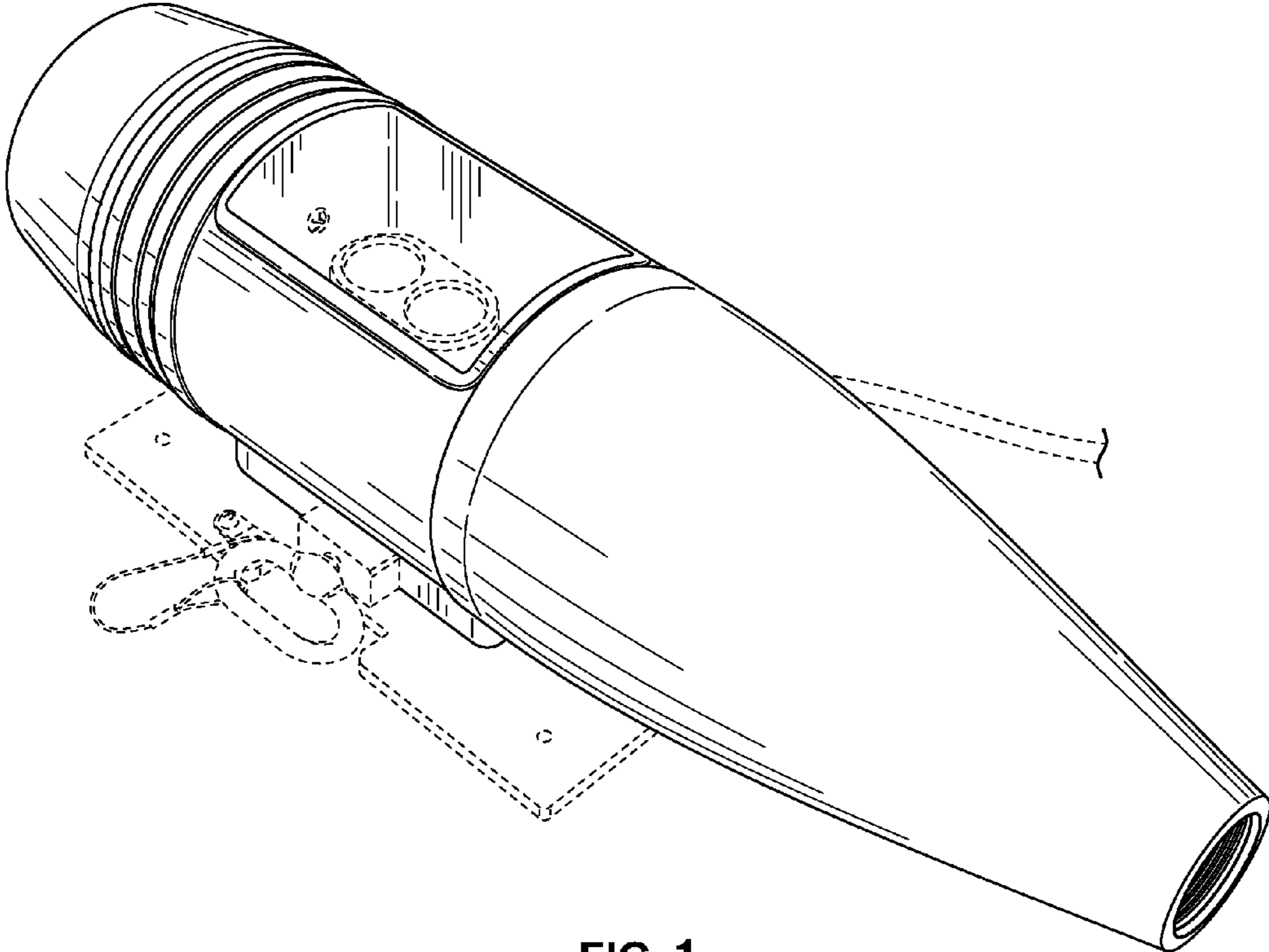


FIG. 1

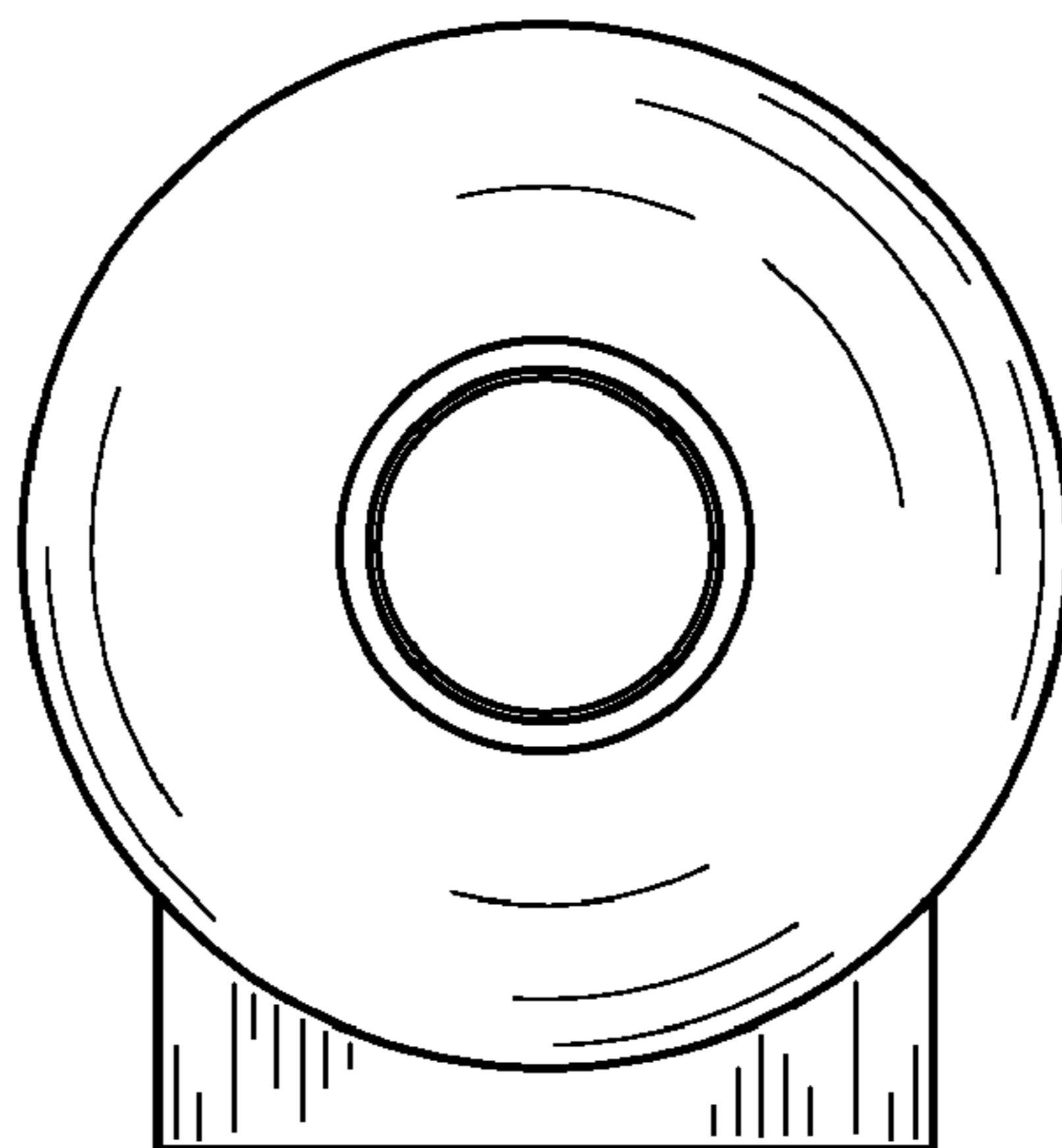


FIG. 2

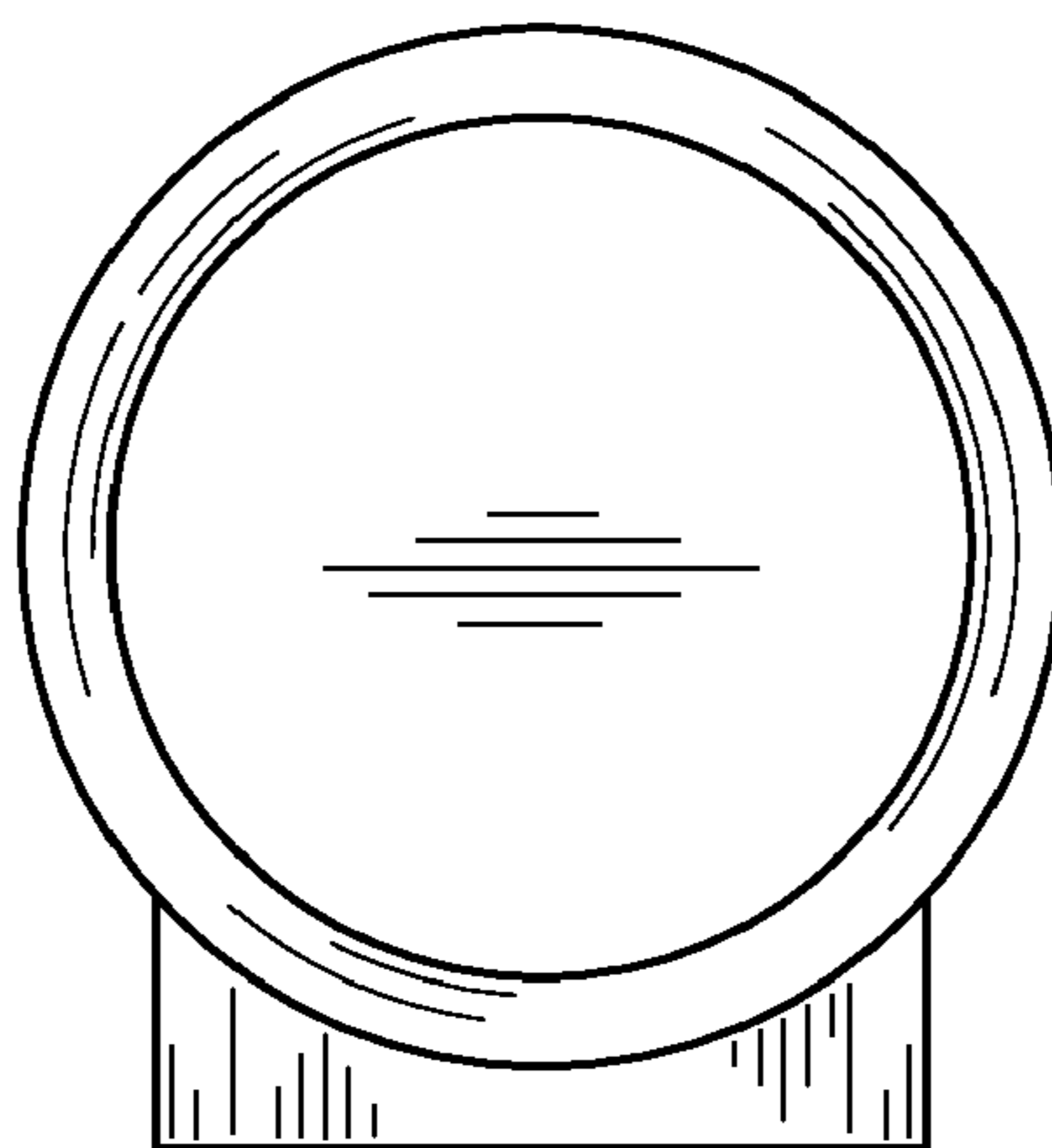


FIG. 3

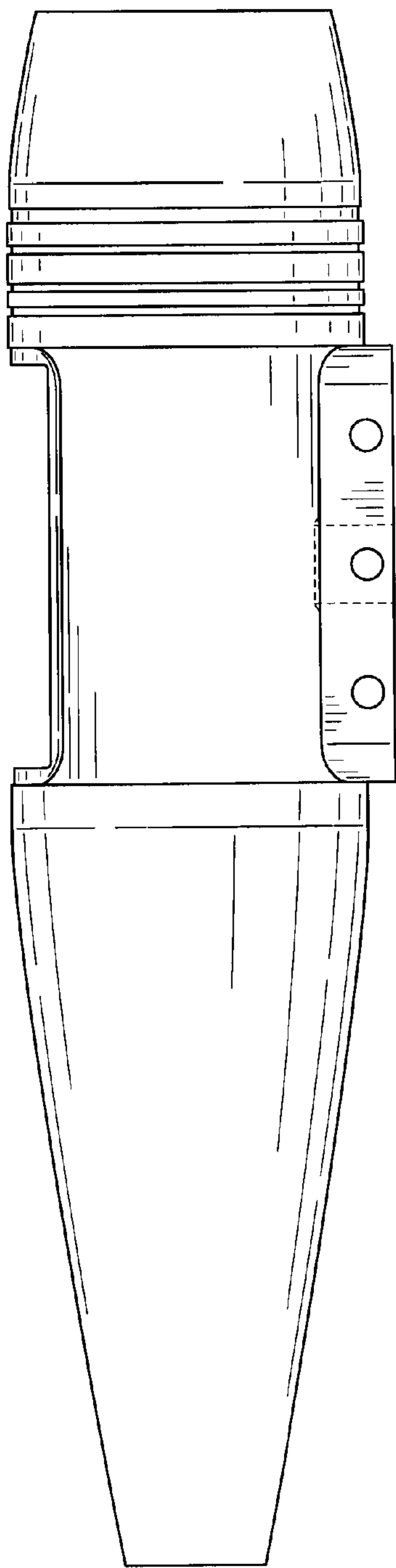


FIG. 4

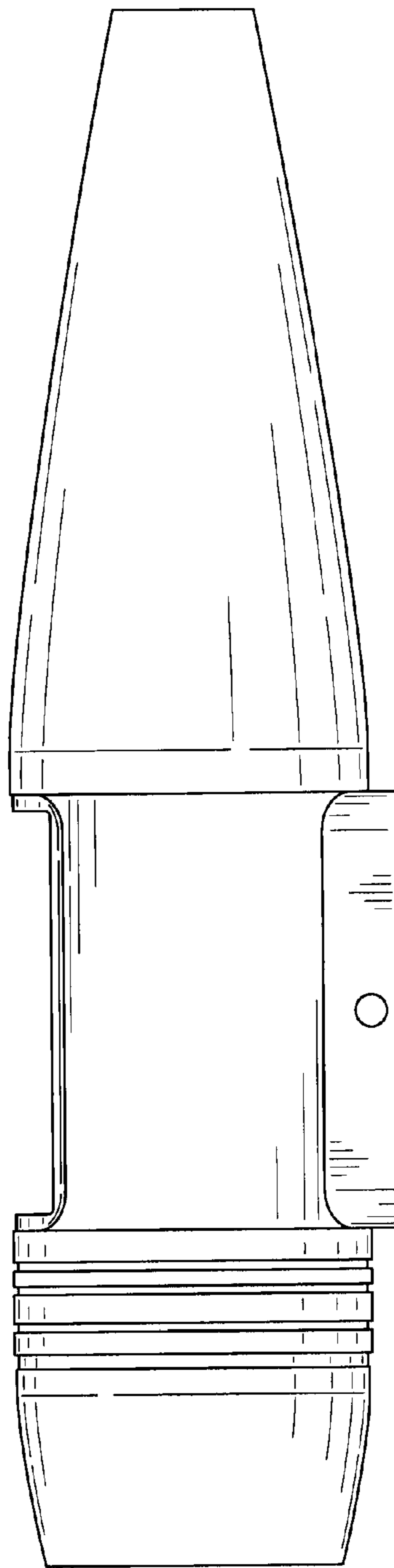


FIG. 5

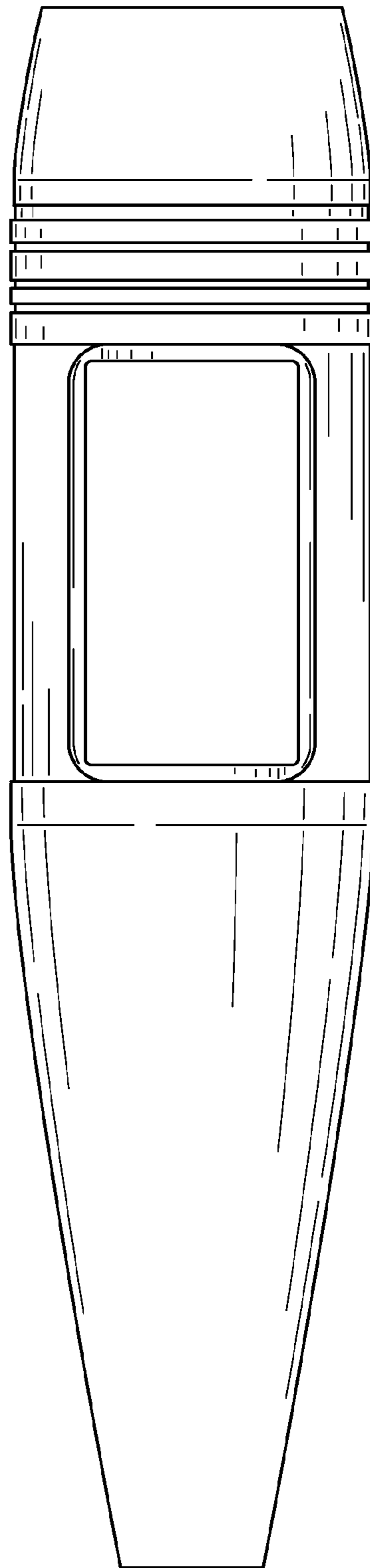


FIG. 6

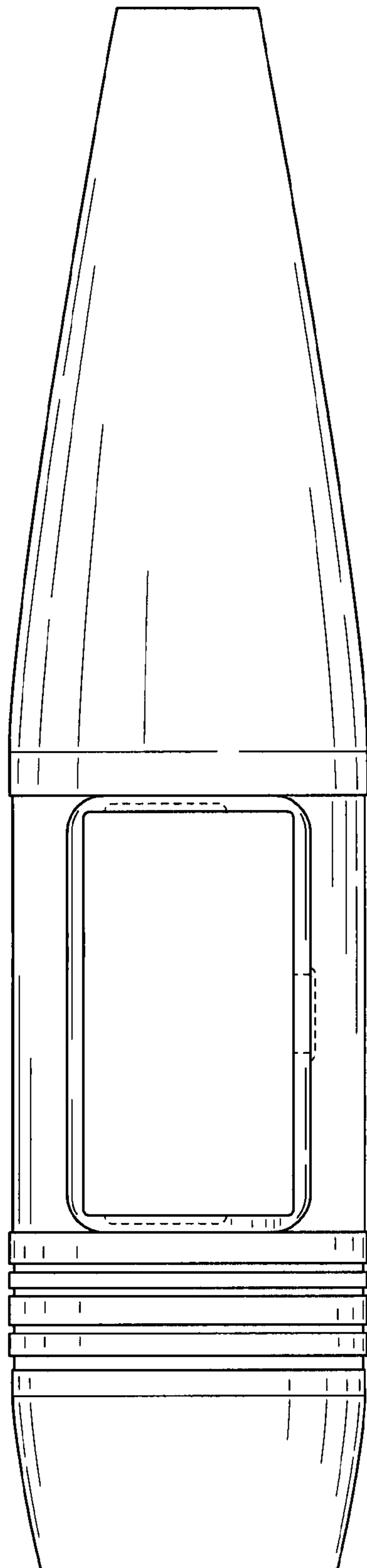


FIG. 7