



US00D672004S

(12) **United States Design Patent**  
**Stracener**

(10) **Patent No.:** **US D672,004 S**

(45) **Date of Patent:** **\*\* Dec. 4, 2012**

(54) **LIGHT HOLDER FOR GUN SCOPE**

(76) Inventor: **Randy Stracener**, Brashear, TX (US)

(\*\*) Term: **14 Years**

(21) Appl. No.: **29/406,506**

(22) Filed: **Nov. 15, 2011**

**Related U.S. Application Data**

(63) Continuation-in-part of application No. 29/403,501, filed on Oct. 6, 2011.

(51) **LOC (9) Cl.** ..... **22-01**

(52) **U.S. Cl.** ..... **D22/108**

(58) **Field of Classification Search** ..... D22/108;  
D24/128; 248/74.2, 215, 227.1, 49, 300,  
248/301, 316.7, 51, 489; D8/396; 362/110-120;  
D26/24-27, 38, 51, 60, 113, 118; 42/123-124,  
42/127, 131-132, 146

See application file for complete search history.

(56) **References Cited**

**U.S. PATENT DOCUMENTS**

3,222,511	A	12/1965	Breeding	
3,521,332	A *	7/1970	Kramer	403/188
D248,309	S	6/1978	Weast	
D253,457	S *	11/1979	Sandel	D8/395
D270,748	S	9/1983	Bechtel	
4,407,472	A *	10/1983	Beck	248/89
D293,206	S	12/1987	Beaty et al.	
D298,739	S *	11/1988	Richards, Jr.	D8/395
D331,442	S	12/1992	Bechtel	
D363,211	S *	10/1995	Noble	D8/395
5,544,783	A *	8/1996	Conigliaro	220/735
5,642,557	A *	7/1997	Clews	24/339
D394,096	S	5/1998	Edgar	

5,806,669	A *	9/1998	Kim	206/228
D440,005	S *	4/2001	Blanton	D26/138
D654,353	S *	2/2012	Tabler	D8/382
D658,045	S *	4/2012	Tabler	D8/382
D660,690	S *	5/2012	Mixides	D8/396
2007/0137087	A1	6/2007	Florea et al.	

\* cited by examiner

*Primary Examiner* — Michael A Pratt

(74) *Attorney, Agent, or Firm* — Hemingway & Hansen; Eugenia S. Hansen

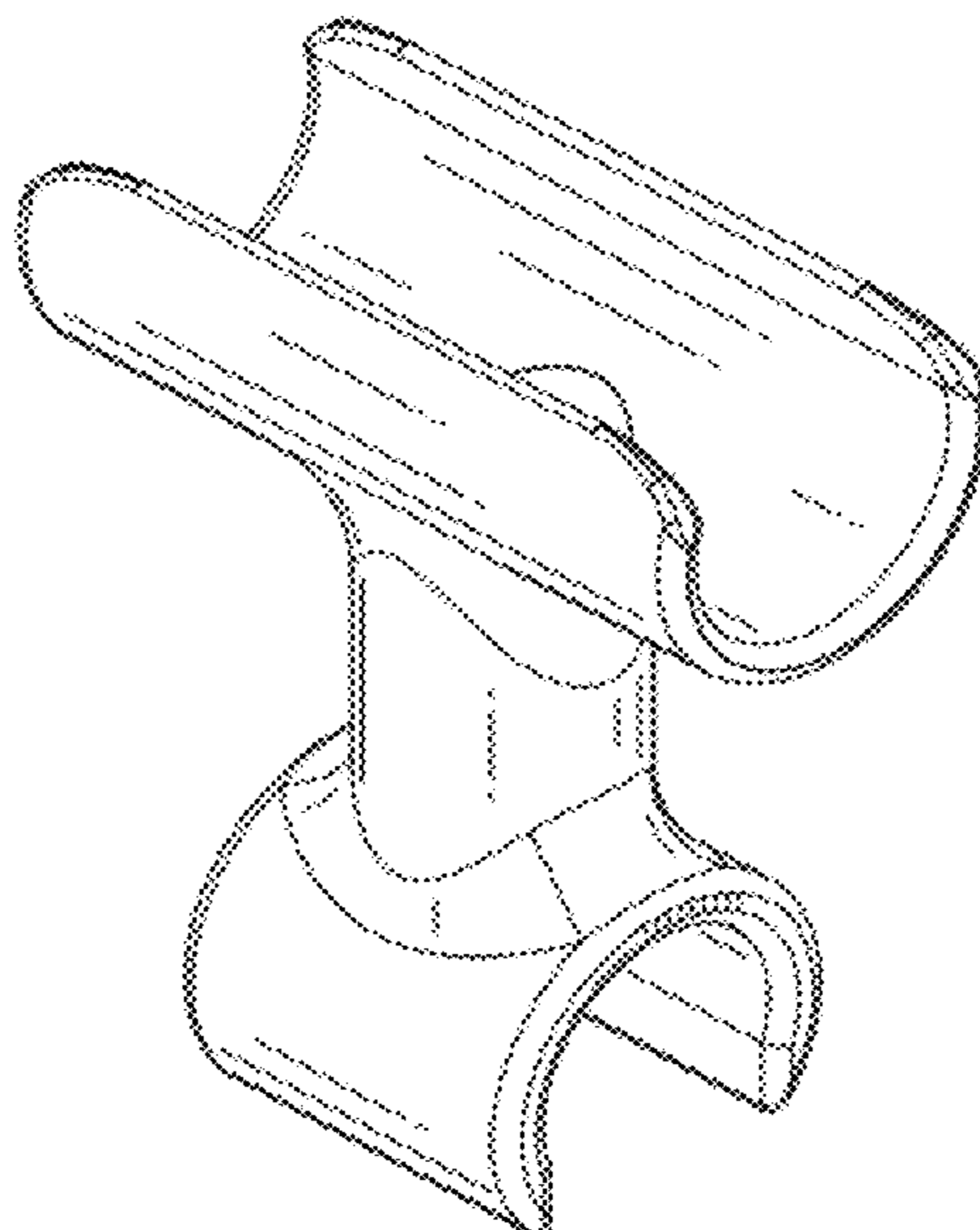
(57) **CLAIM**

The ornamental design for a light holder for gun scope, as shown and described.

**DESCRIPTION**

FIG. 1 is a perspective view of a light holder for gun scope showing my new design;  
 FIG. 2 is a front view of a light holder for gun scope shown in FIG. 1;  
 FIG. 3 is a back view of a light holder for gun scope shown in FIG. 1;  
 FIG. 4 is a right side view of a light holder for gun scope shown in FIG. 1;  
 FIG. 5 is a left side view of a light holder for gun scope shown in FIG. 1;  
 FIG. 6 is a top view of a light holder for gun scope shown in FIG. 1;  
 FIG. 7 is a bottom view of a light holder for gun scope shown in FIG. 1; and,  
 FIG. 8 is a perspective environmental view of a light holder for gun scope shown in FIG. 1 employed on a gun scope. The subject matter shown within the broken lines in FIG. 8 forms no part of the specified embodiment.

**1 Claim, 3 Drawing Sheets**



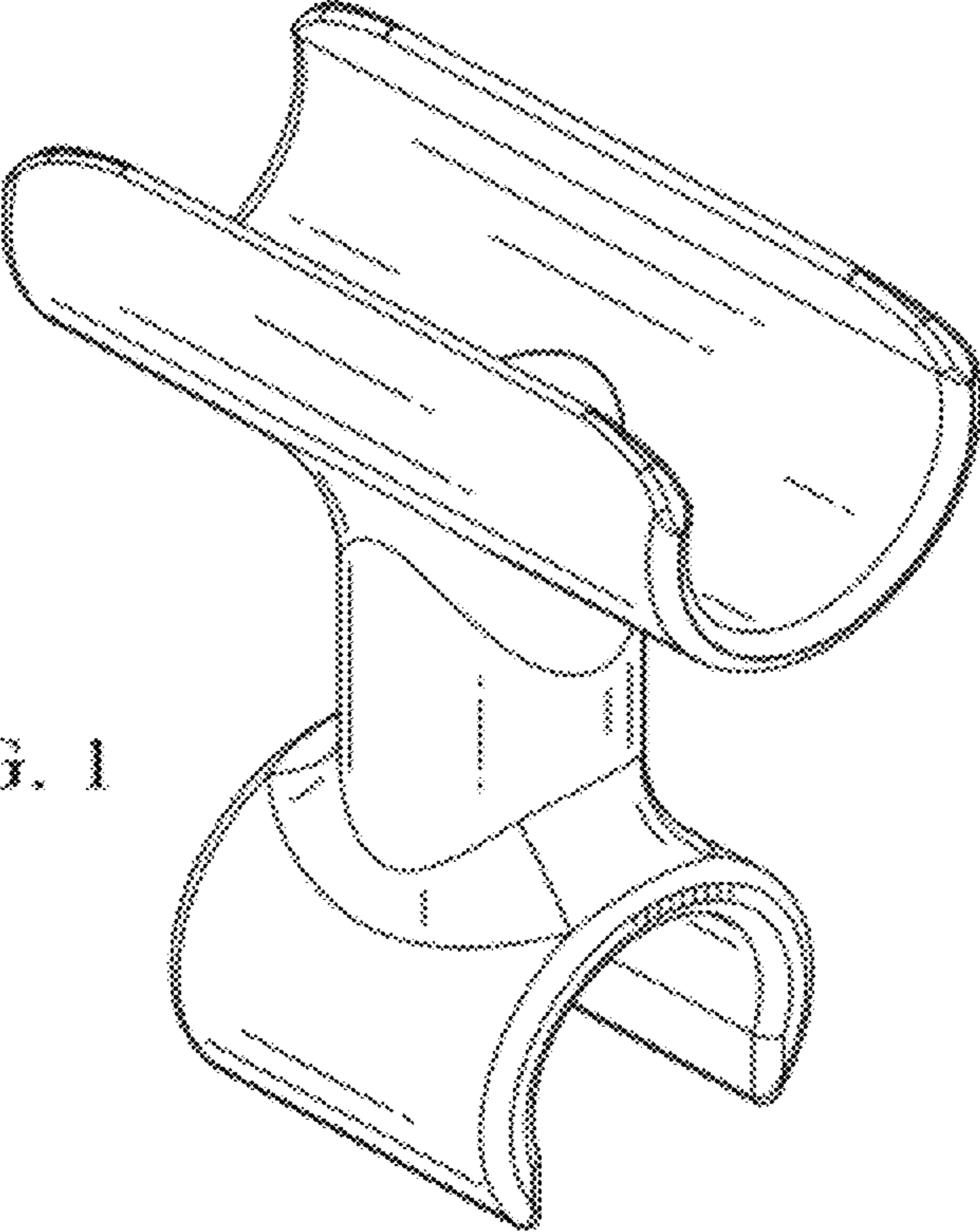


FIG. 1

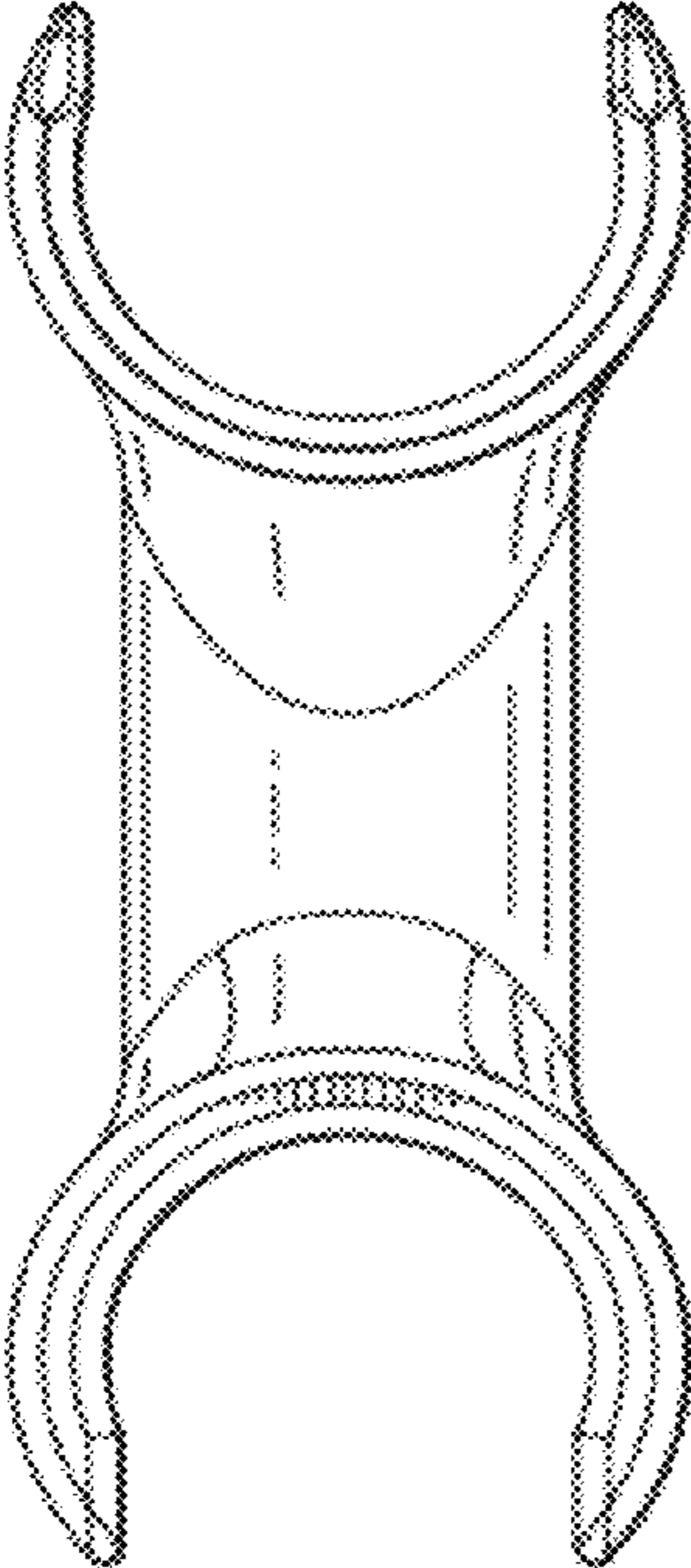


FIG. 2

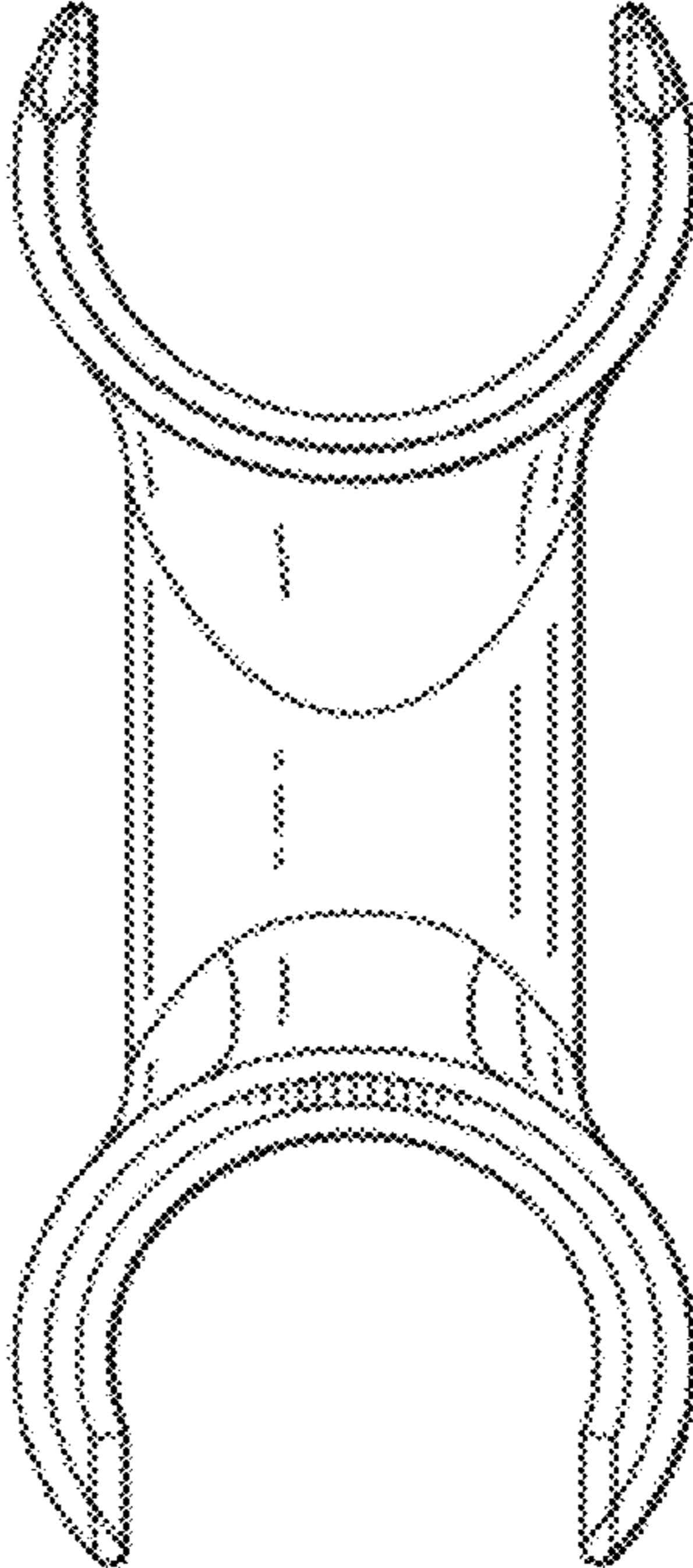


FIG. 3

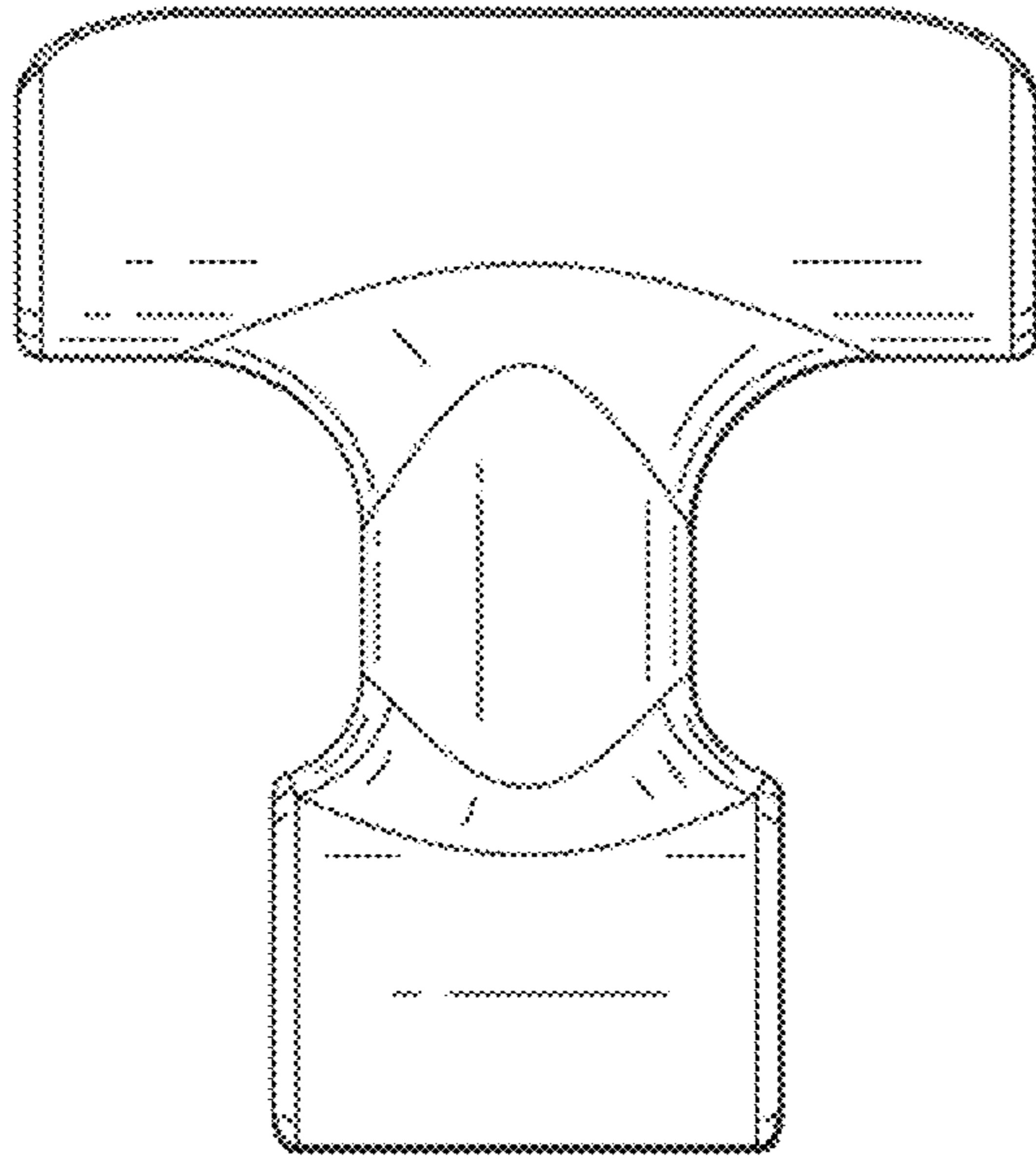


FIG. 4

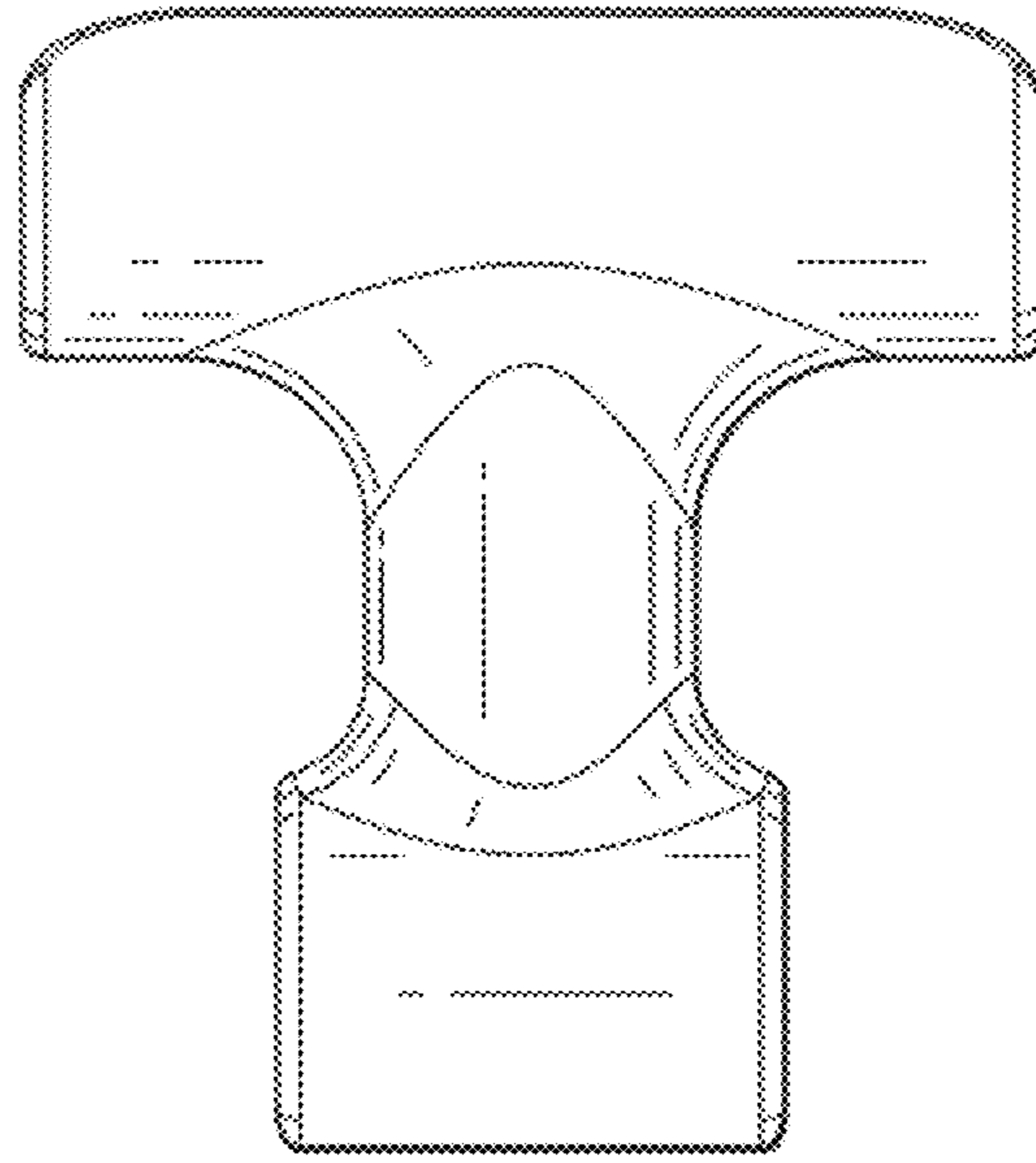


FIG. 5

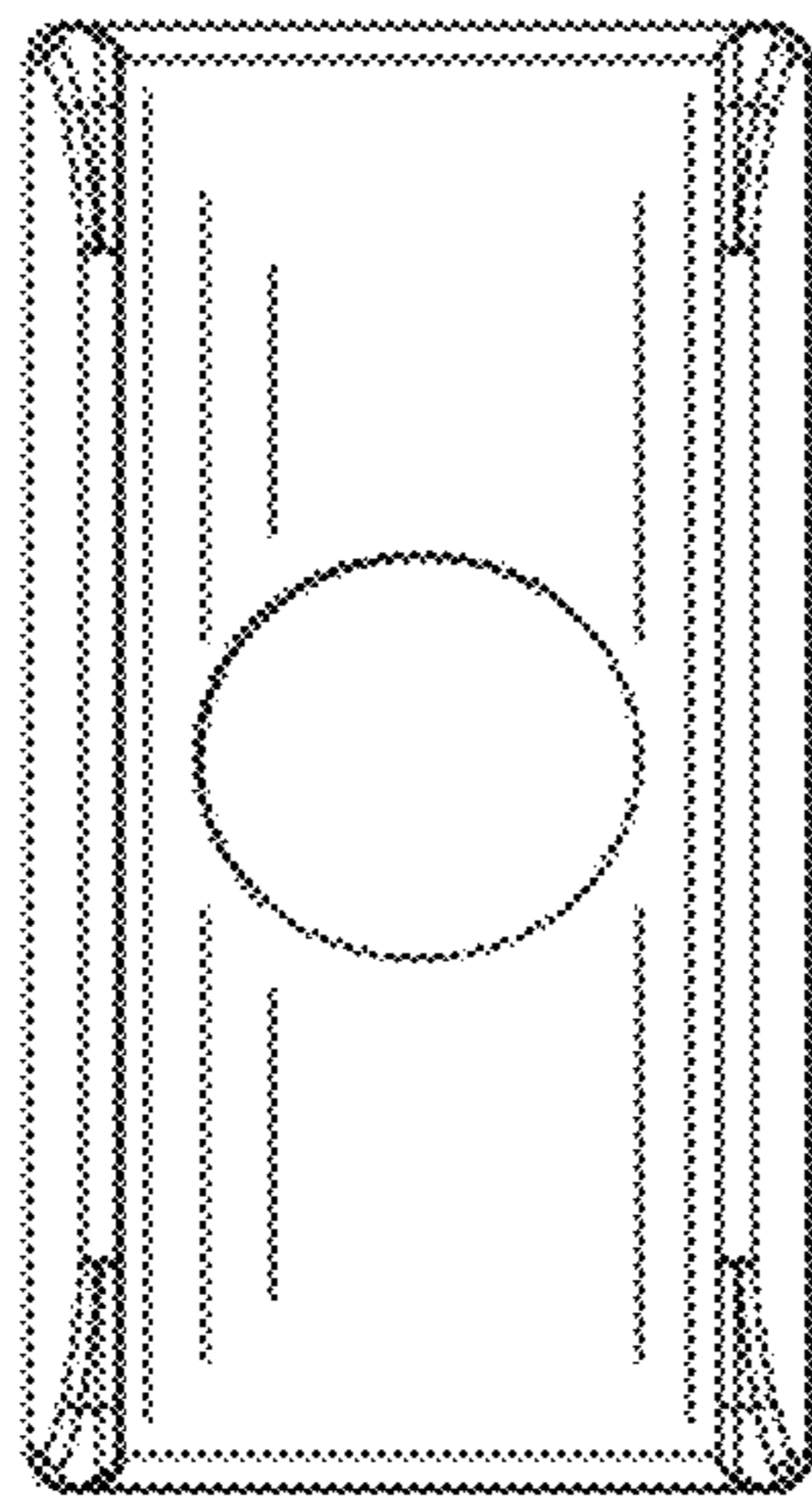


FIG. 6

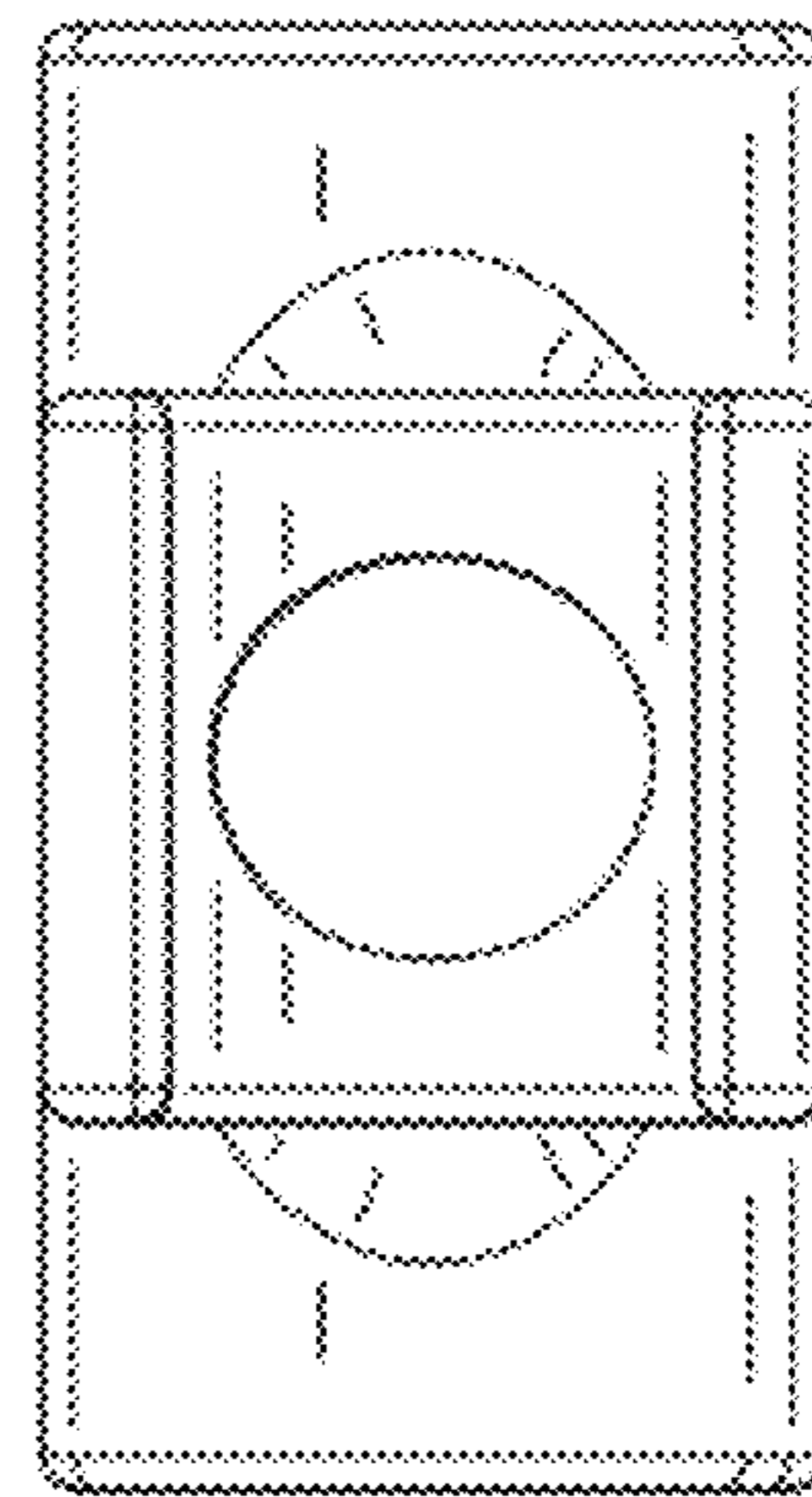


FIG. 7

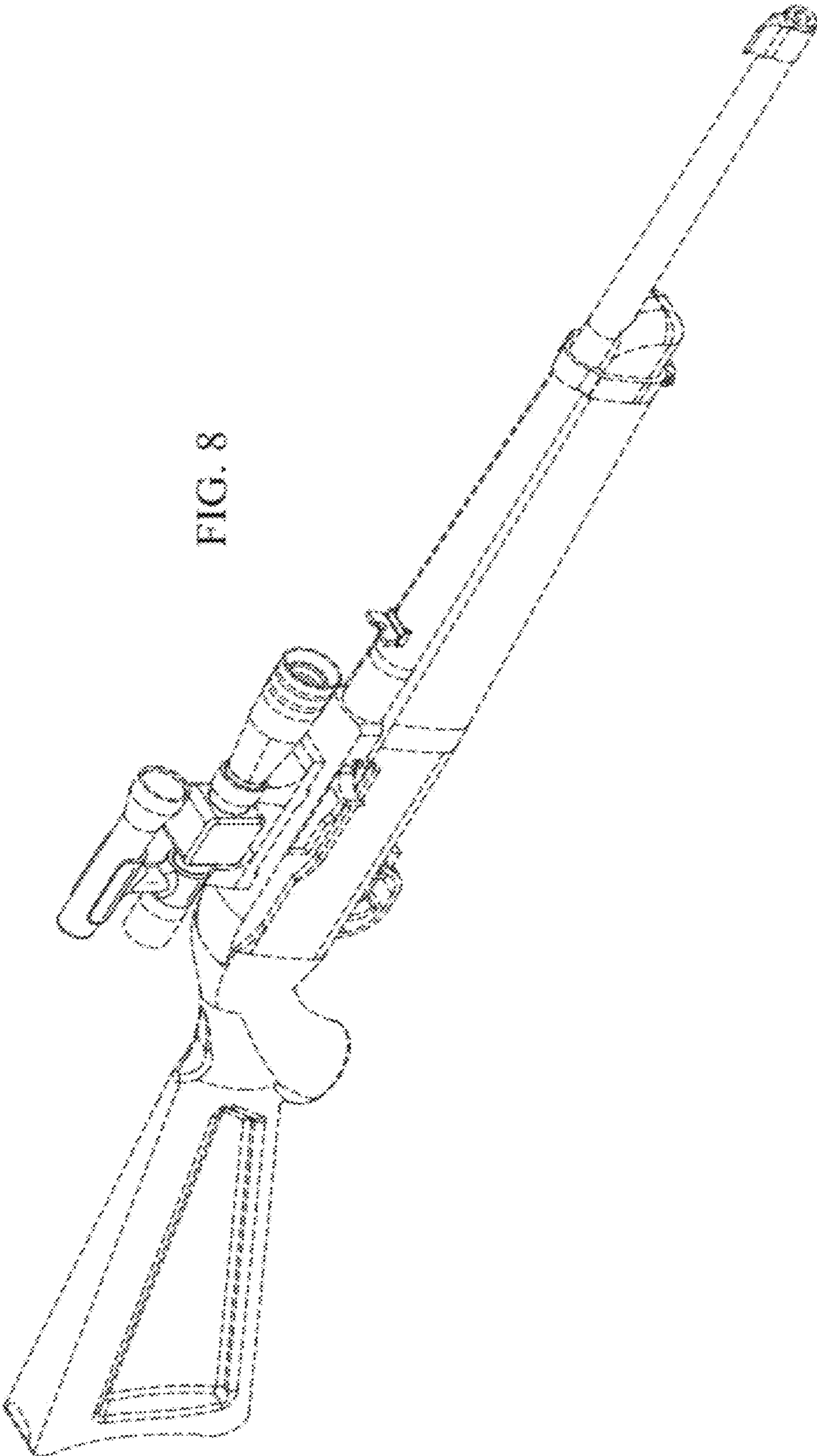


FIG. 8