



US00D672003S

(12) **United States Design Patent**
Botes

(10) **Patent No.:** **US D672,003 S**
(45) **Date of Patent:** **** Dec. 4, 2012**

(54) **CARTRIDGE HOLDER**

(75) Inventor: **Christo Botes**, Pretoria (ZA)

(73) Assignee: **Crux Research CC**, District Brits, North West (ZA)

(**) Term: **14 Years**

(21) Appl. No.: **29/399,172**

(22) Filed: **Aug. 10, 2011**

(30) **Foreign Application Priority Data**

Feb. 11, 2011 (ZA) F2011/00212

(51) **LOC (9) Cl.** **22-01**

(52) **U.S. Cl.** **D22/108**

(58) **Field of Classification Search** D22/108-119;
89/33.14, 33.01, 34, 35.01-35.02

See application file for complete search history.

(56) **References Cited**

U.S. PATENT DOCUMENTS

2,829,562	A *	4/1958	La Rue	89/33.14
2,995,280	A *	8/1961	Thierry	224/239
3,213,559	A *	10/1965	Matich	42/89
3,250,360	A *	5/1966	Correll	193/25 AC
3,983,990	A *	10/1976	Gardy et al.	198/803.14
4,011,788	A *	3/1977	Reed	89/33.2
4,614,053	A *	9/1986	Billman	42/89
D296,615	S *	7/1988	McCoy	D22/108
4,773,576	A *	9/1988	Moravek	224/191

4,860,478	A *	8/1989	Clayton	42/71.01
4,941,393	A *	7/1990	Dodd et al.	89/35.01
5,719,348	A *	2/1998	Bill et al.	86/38
6,681,677	B2 *	1/2004	Herring	89/33.14
7,363,845	B2 *	4/2008	McClellan	89/35.01
8,151,684	B2 *	4/2012	Buechler et al.	89/33.2
2009/0235812	A1 *	9/2009	Garwood	89/33.01
2012/0060675	A1 *	3/2012	Kurz et al.	89/35.01

FOREIGN PATENT DOCUMENTS

WO WO 2005031243 A1 * 4/2005

* cited by examiner

Primary Examiner — Michael A Pratt

(74) *Attorney, Agent, or Firm* — Finnegan, Henderson, Farabow, Garrett & Dunner, LLP

(57) **CLAIM**

The ornamental design for a cartridge holder, as shown and described.

DESCRIPTION

FIG. 1 is a perspective view of a cartridge holder of my new design;

FIG. 2 is a front view thereof;

FIG. 3 is a rear view thereof;

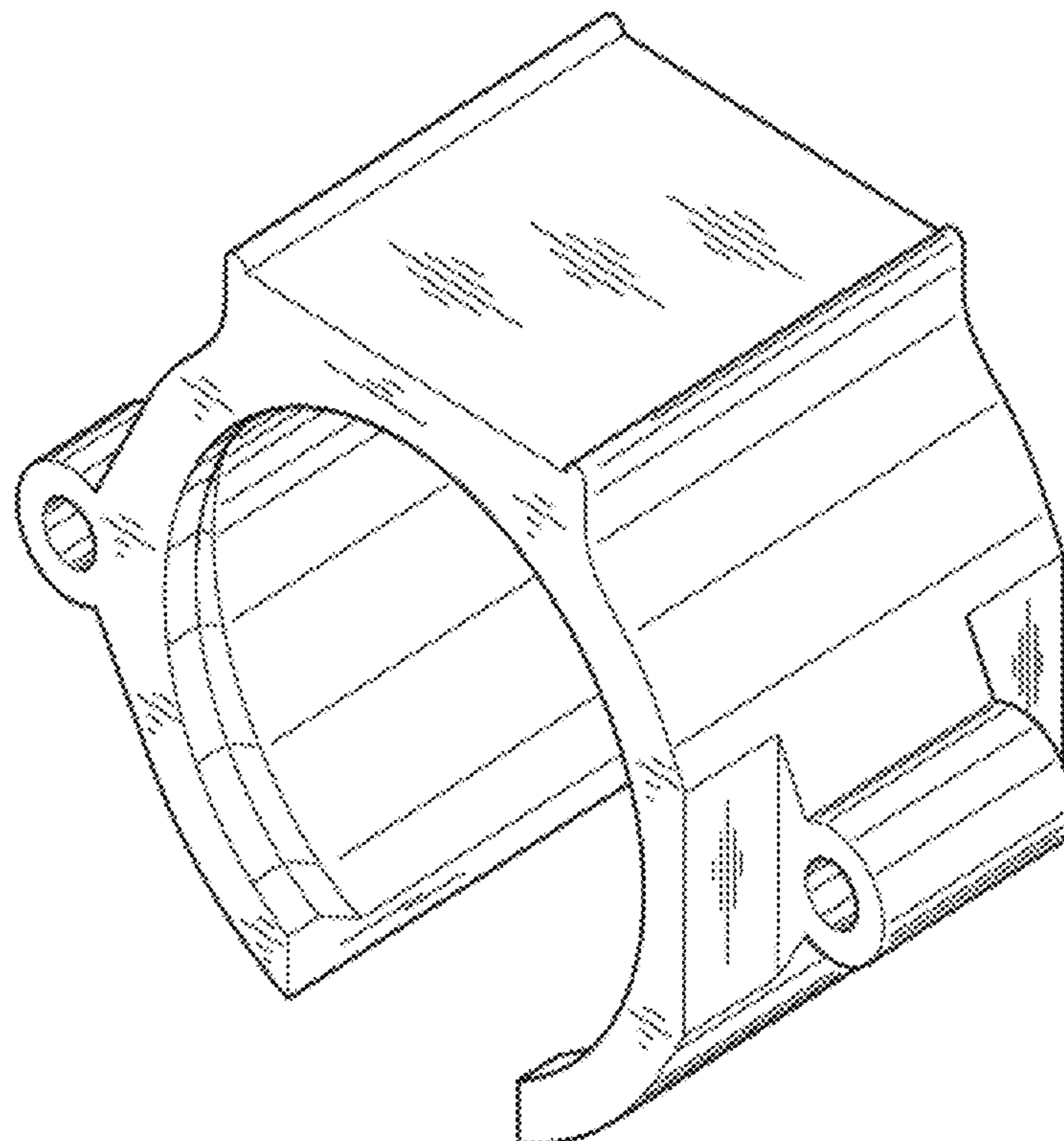
FIG. 4 is a left side view thereof;

FIG. 5 is a right side view thereof;

FIG. 6 is top plan view thereof; and,

FIG. 7 is a bottom view thereof.

1 Claim, 4 Drawing Sheets



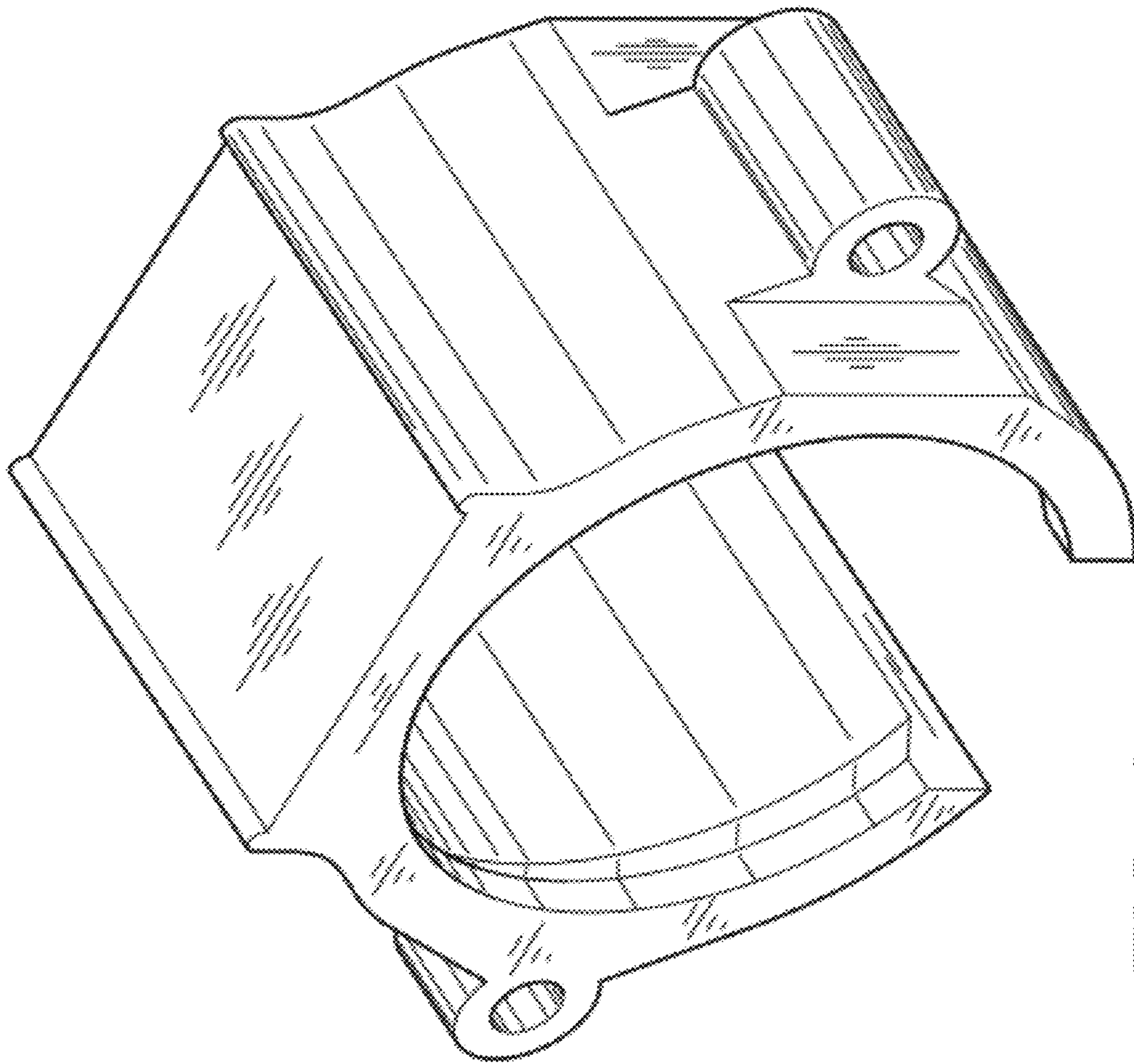


FIG. 1

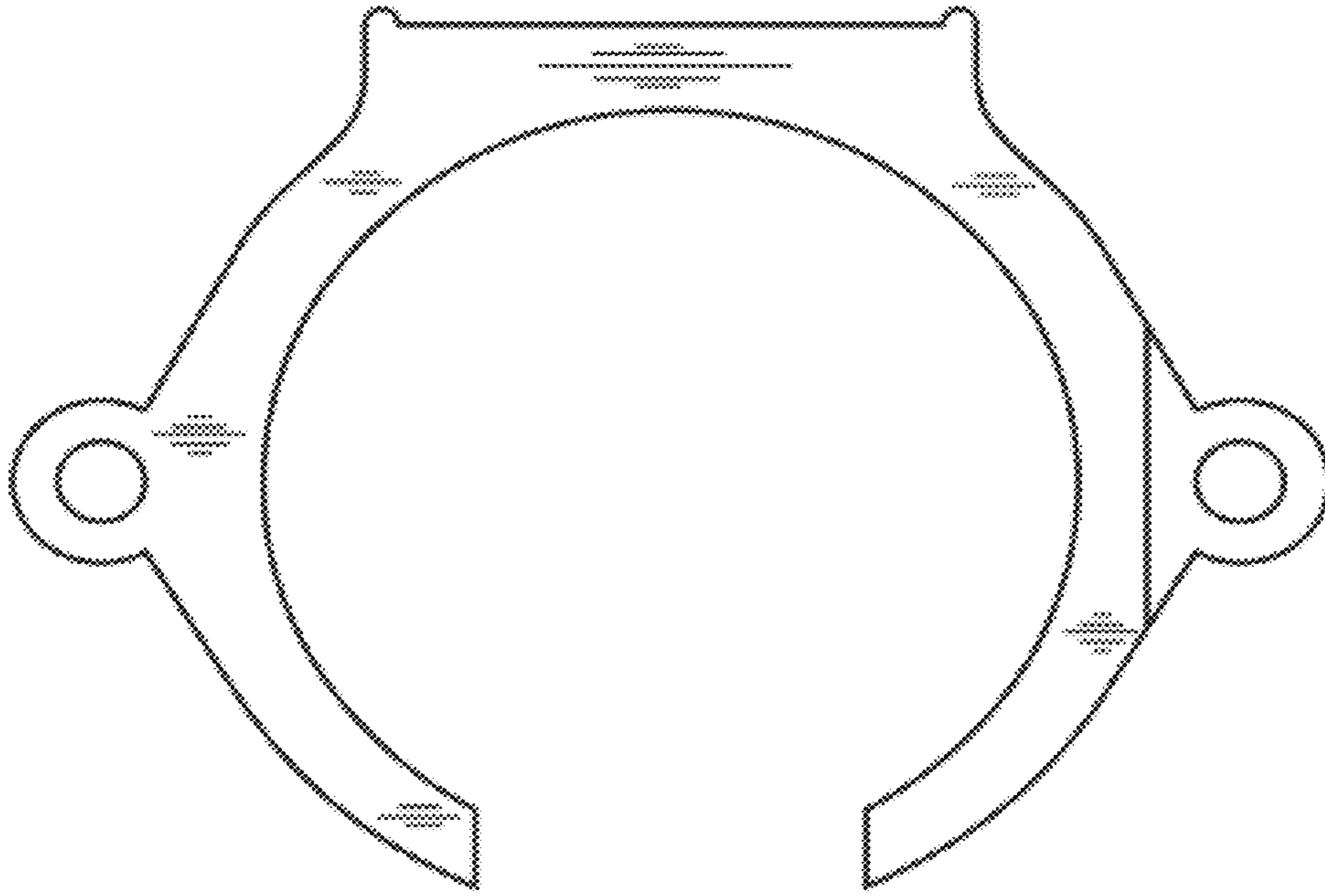


FIG. 2

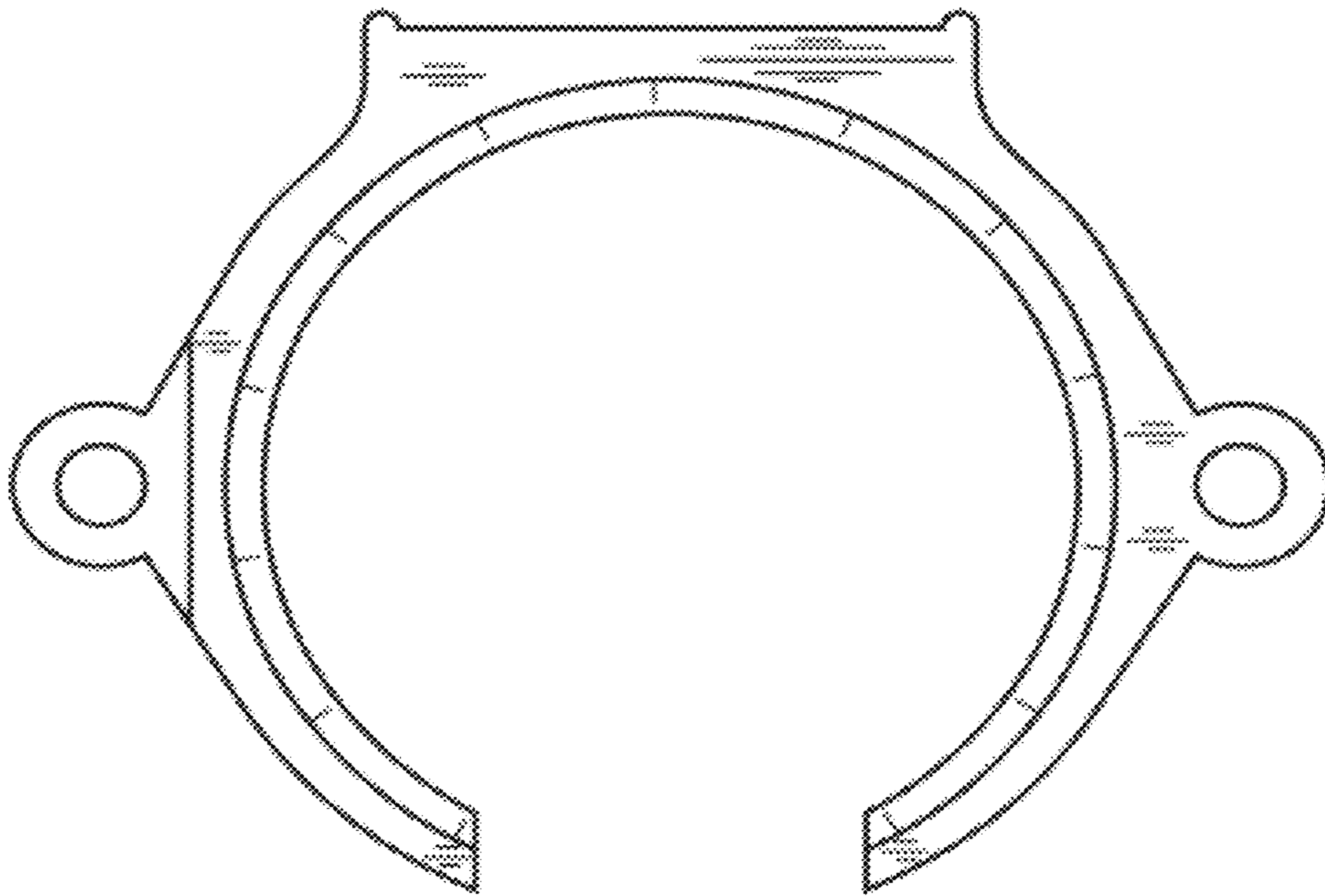


FIG. 3

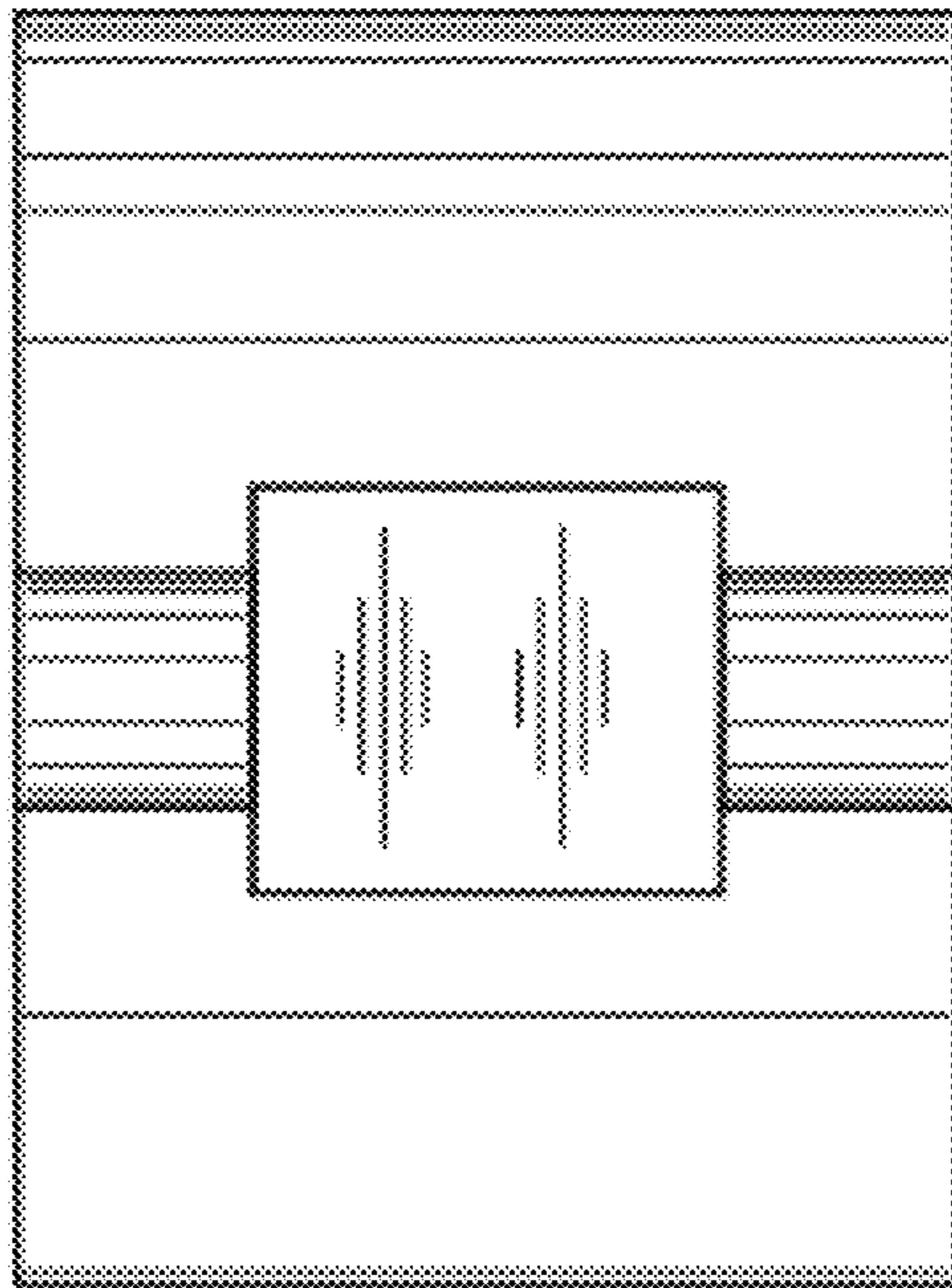


FIG. 4

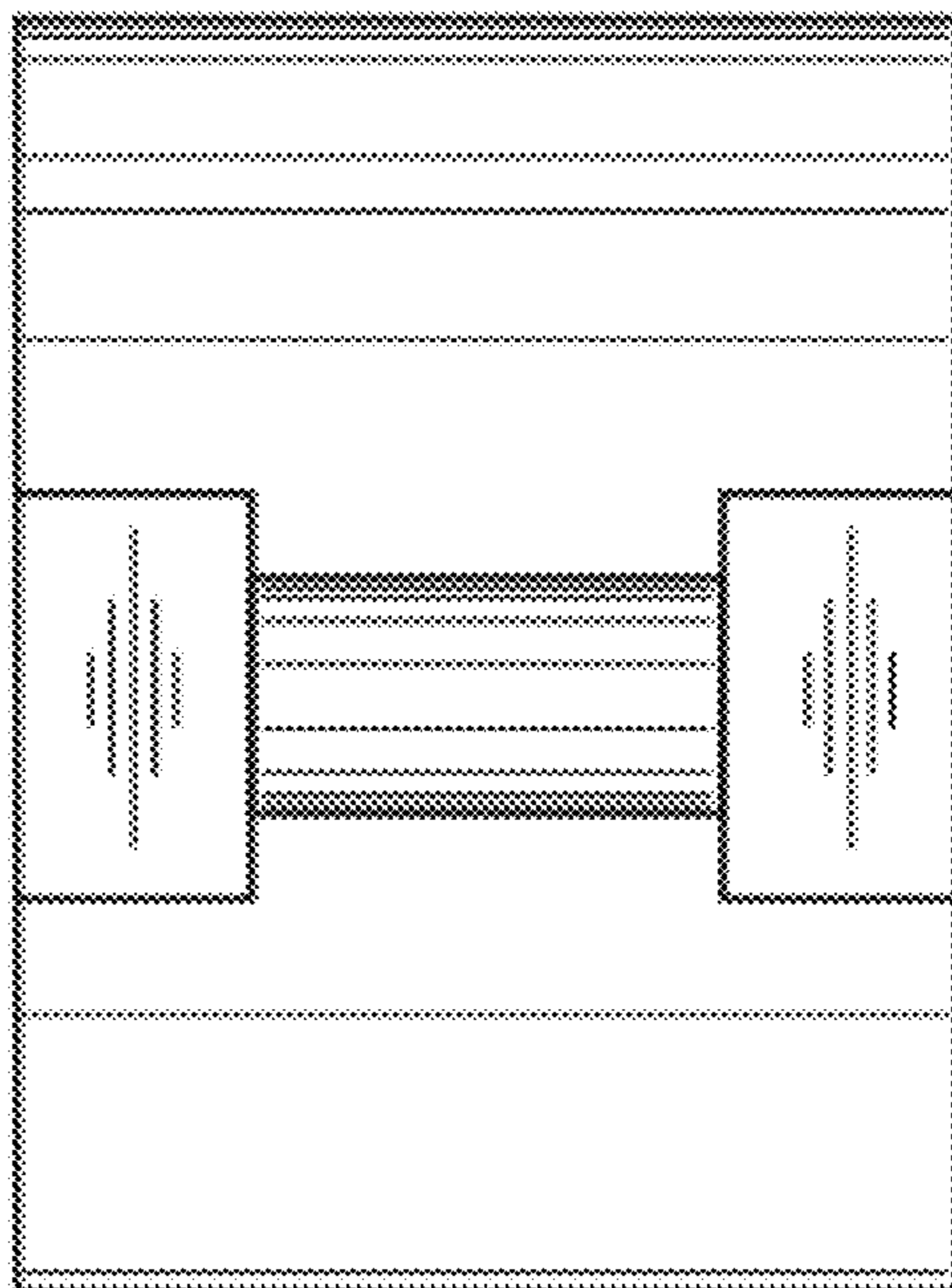


FIG. 5

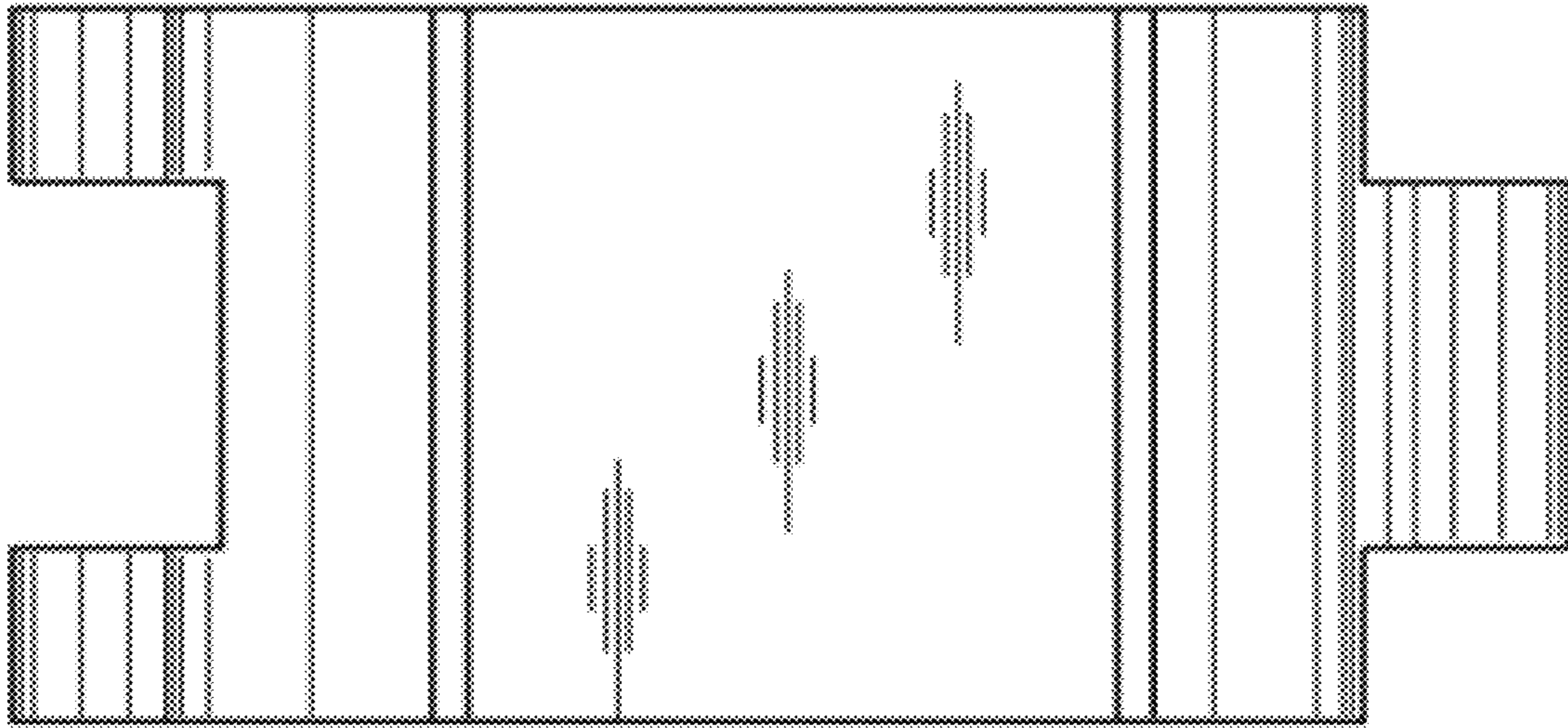


FIG. 6

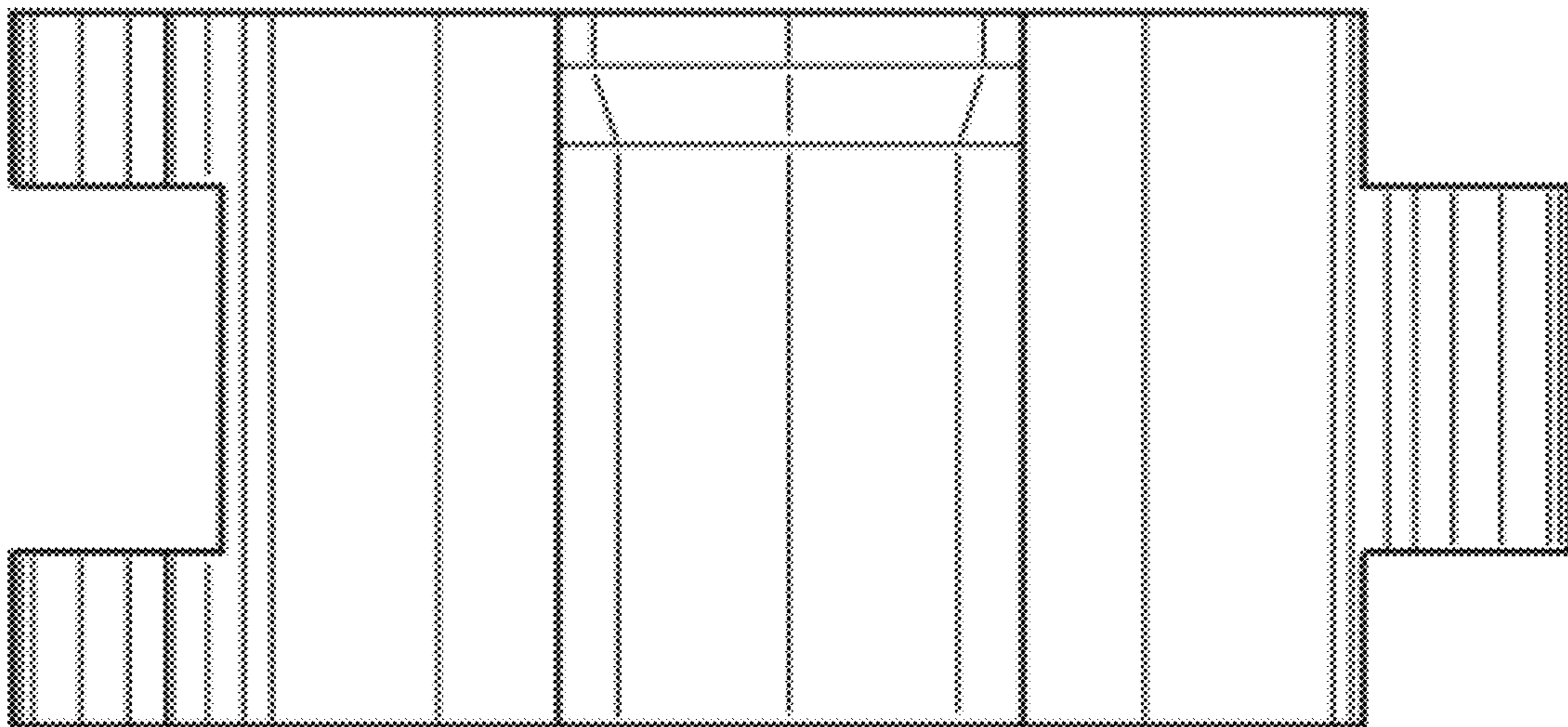


FIG. 7