



US00D672001S

(12) **United States Design Patent**
Whitfield

(10) **Patent No.:** **US D672,001 S**

(45) **Date of Patent:** **** Dec. 4, 2012**

(54) **GOLF PUTTING TRAINING AID**

(76) Inventor: **Richard A. Whitfield**, Hobe Sound, FL
(US)

(**) Term: **14 Years**

(21) Appl. No.: **29/405,346**

(22) Filed: **Nov. 1, 2011**

(51) **LOC (9) Cl.** **21-02**

(52) **U.S. Cl.** **D21/791**

(58) **Field of Classification Search** D21/789,
D21/791, 792; 473/218, 221, 265, 173, 278,
473/251-256

See application file for complete search history.

(56) **References Cited**

U.S. PATENT DOCUMENTS

D199,127 S *	9/1964	Nelson	D21/791
D277,886 S *	3/1985	Murphy	D21/792
D338,512 S *	8/1993	Crow et al.	D21/791
D354,107 S *	1/1995	Kueng et al.	D21/791
D384,385 S *	9/1997	Farage	D21/791
D402,347 S *	12/1998	Murphy	D21/792
D406,298 S *	3/1999	Murphy	D21/792
D407,773 S *	4/1999	Greig	D21/791
D461,517 S *	8/2002	Morgan et al.	D21/791
6,840,870 B1 *	1/2005	Froggatte	473/265
7,214,140 B2 *	5/2007	Coombs	473/278

7,273,417 B1 *	9/2007	Lundquist	473/265
D558,849 S *	1/2008	Taira et al.	D21/791
D635,214 S *	3/2011	Johansen	D21/791
D641,448 S *	7/2011	Sessions	D21/791

* cited by examiner

Primary Examiner — Mitchell Siegel

(74) *Attorney, Agent, or Firm* — McHale & Slavin, P.A.

(57) **CLAIM**

The ornamental design for a golf putting training aid, as shown and described.

DESCRIPTION

FIG. 1 is perspective view of the golf putting training aid of the instant invention;

FIG. 2 is a front view thereof;

FIG. 3 is a rear view thereof;

FIG. 4 is a left side view thereof, the right side forming a mirror image thereof;

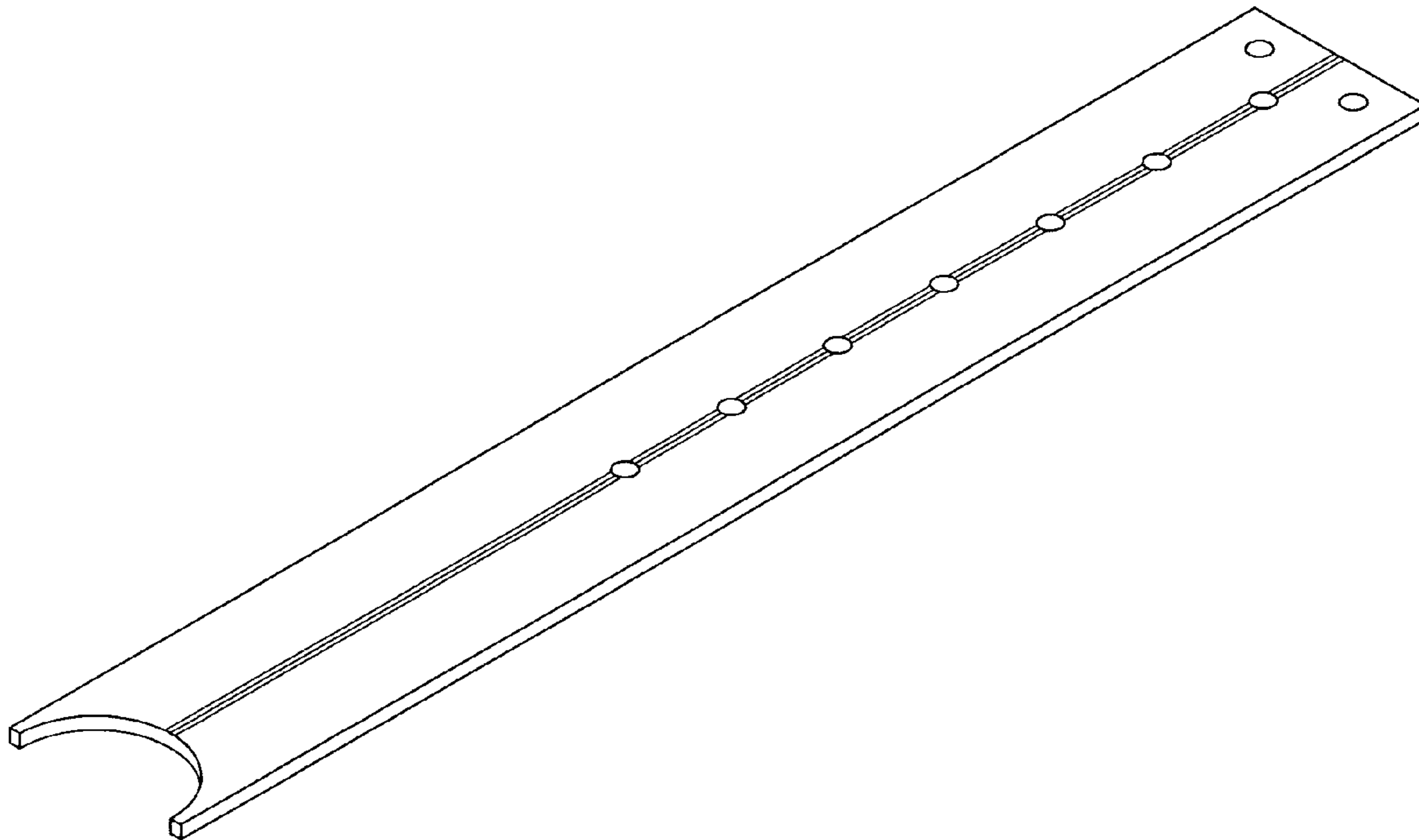
FIG. 5 is a top view thereof;

FIG. 6 is a bottom view thereof; and,

FIG. 7 is a perspective view illustrating the anchoring of the golf putting training aid to the ground by golf tees and the positioning of a golf ball for aid in putting.

The portions of the figures illustrated in broken lines are for illustrative purposes only and form no part of the claimed design.

1 Claim, 6 Drawing Sheets



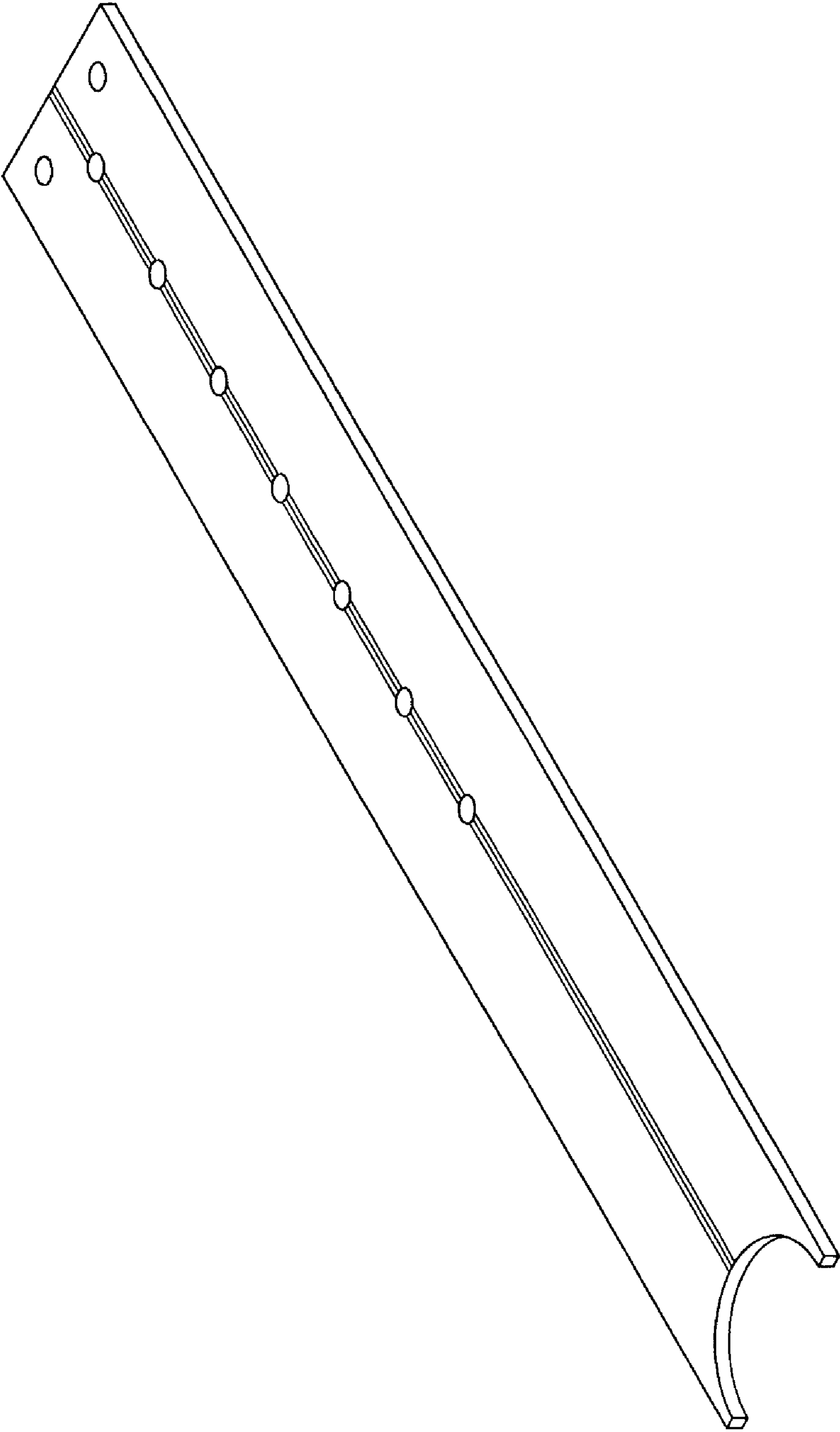


Fig. 1

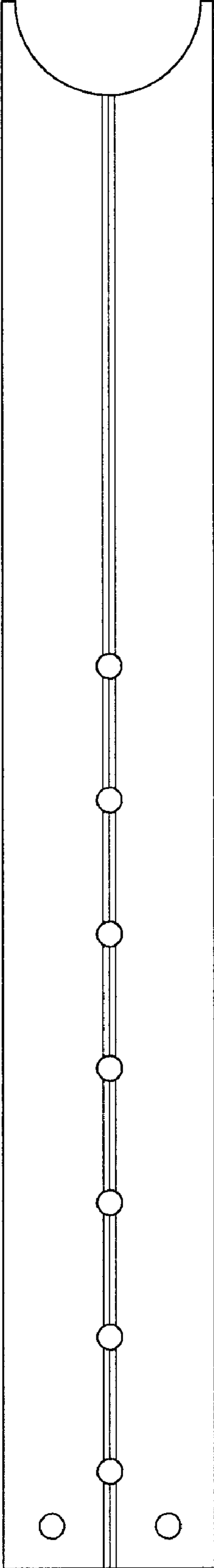


Fig. 2

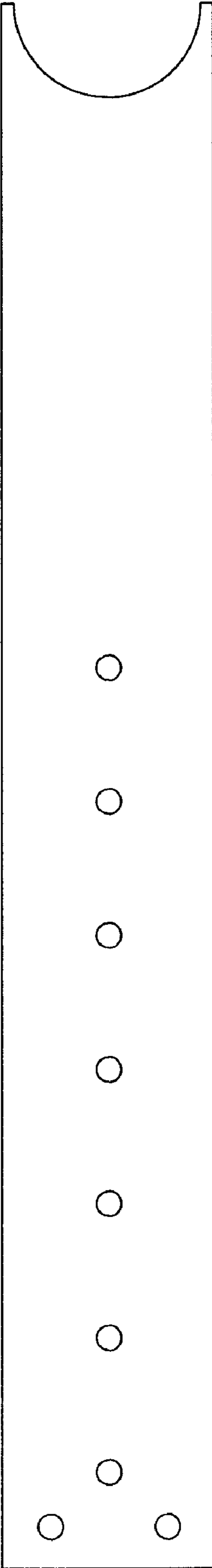


Fig. 3



Fig. 4



Fig. 5



Fig. 6

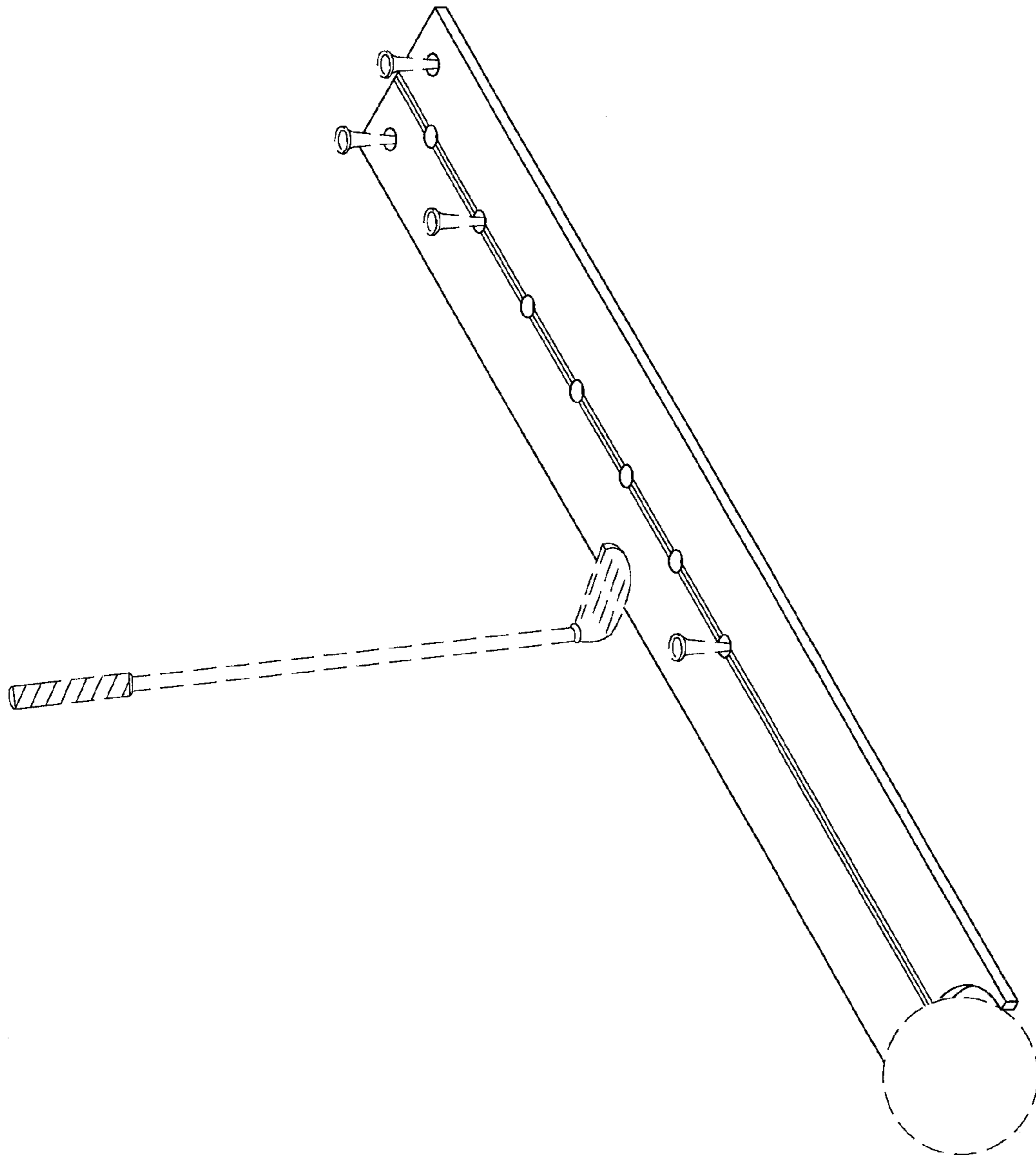


Fig. 7