



US00D671998S

(12) **United States Design Patent**
Rodriguez, Jr.

(10) **Patent No.:** **US D671,998 S**
(45) **Date of Patent:** **** Dec. 4, 2012**

(54) **ROTATING PUSH UP GRIP**
(76) Inventor: **Jaime Rodriguez, Jr., Sylmar, CA (US)**
(**) Term: **14 Years**
(21) Appl. No.: **29/415,612**
(22) Filed: **Mar. 13, 2012**
(51) **LOC (9) Cl.** **21-02**
(52) **U.S. Cl.** **D21/686; D21/662**
(58) **Field of Classification Search** D21/662,
D21/679, 680, 684, 686, 694; 482/8, 91,
482/92, 95, 96, 104-110, 132, 141, 148
See application file for complete search history.

7,553,267	B1	6/2009	Hauser et al.	
7,896,788	B1 *	3/2011	Schall	482/141
7,909,746	B2 *	3/2011	Gant	482/141
8,157,713	B1 *	4/2012	Siskowic et al.	482/141
2005/0085352	A1 *	4/2005	Baxter	482/100
2006/0035771	A1	2/2006	Gant	
2006/0040809	A1 *	2/2006	Godbold	482/141
2009/0149305	A1 *	6/2009	Abdallah	482/141
2009/0186750	A1 *	7/2009	Hauser et al.	482/141
2009/0298656	A1	12/2009	Dannenberg	
2010/0210431	A1 *	8/2010	Hinton et al.	482/141
2010/0261590	A1	10/2010	Fares	
2010/0279833	A1	11/2010	Gant	
2010/0317496	A1 *	12/2010	Abranchess	482/141

* cited by examiner

Primary Examiner — Susan E Krakower

(56) **References Cited**

U.S. PATENT DOCUMENTS

4,768,778	A *	9/1988	Thomas, Jr.	482/141
D308,559	S *	6/1990	Beck	D21/684
5,358,463	A *	10/1994	Fuentes	482/141
D374,045	S *	9/1996	Ward, III	D21/686
5,766,112	A *	6/1998	Chuan	482/44
5,766,119	A	6/1998	Clark	
D491,777	S *	6/2004	Wenisch	D8/45
D576,693	S	9/2008	Khubani	
7,468,025	B2	12/2008	Hauser et al.	
7,481,753	B2 *	1/2009	James et al.	482/140
7,503,884	B1	3/2009	Schall	

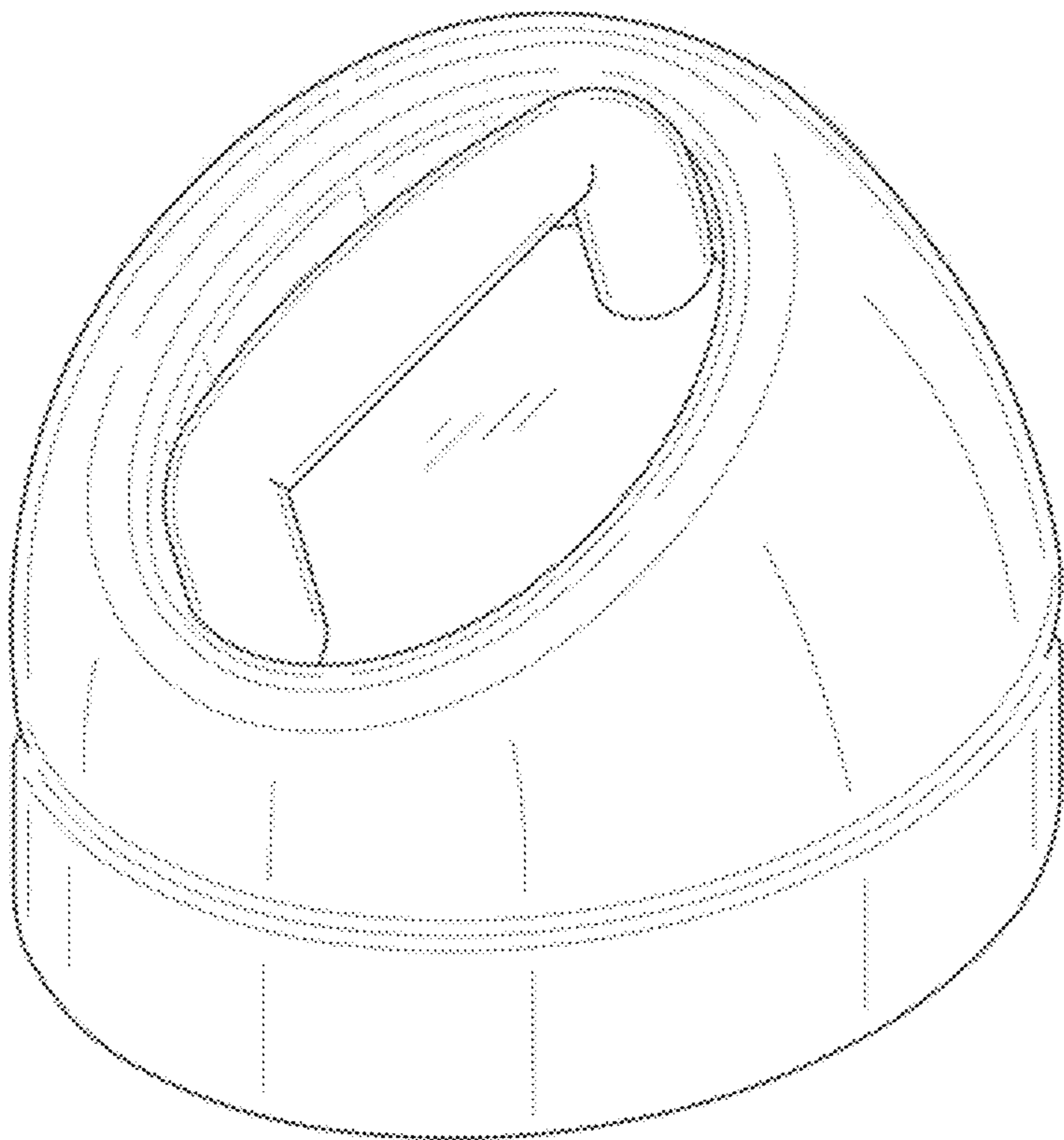
(57) **CLAIM**

I claim the ornamental design for the rotating push up grip, as shown and described.

DESCRIPTION

FIG. 1 is a right side view of the rotating push up grip.
FIG. 2 is a front view of the claimed design.
FIG. 3 is a rear view of the claimed design.
FIG. 4 is a top view of the claimed design.
FIG. 5 is a bottom view of the claimed design; and,
FIG. 6 is a perspective view of the claimed design.

1 Claim, 5 Drawing Sheets



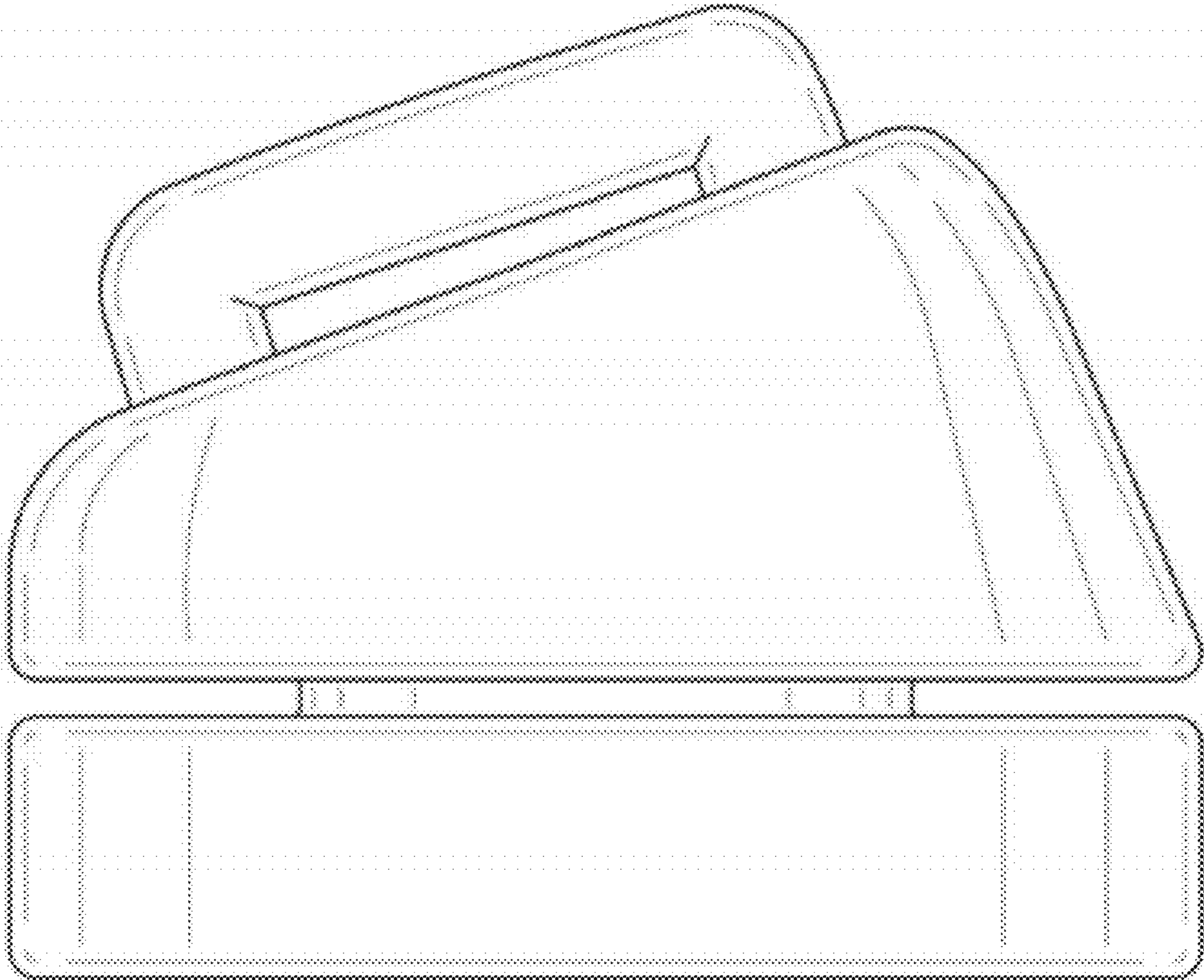


FIG. 1

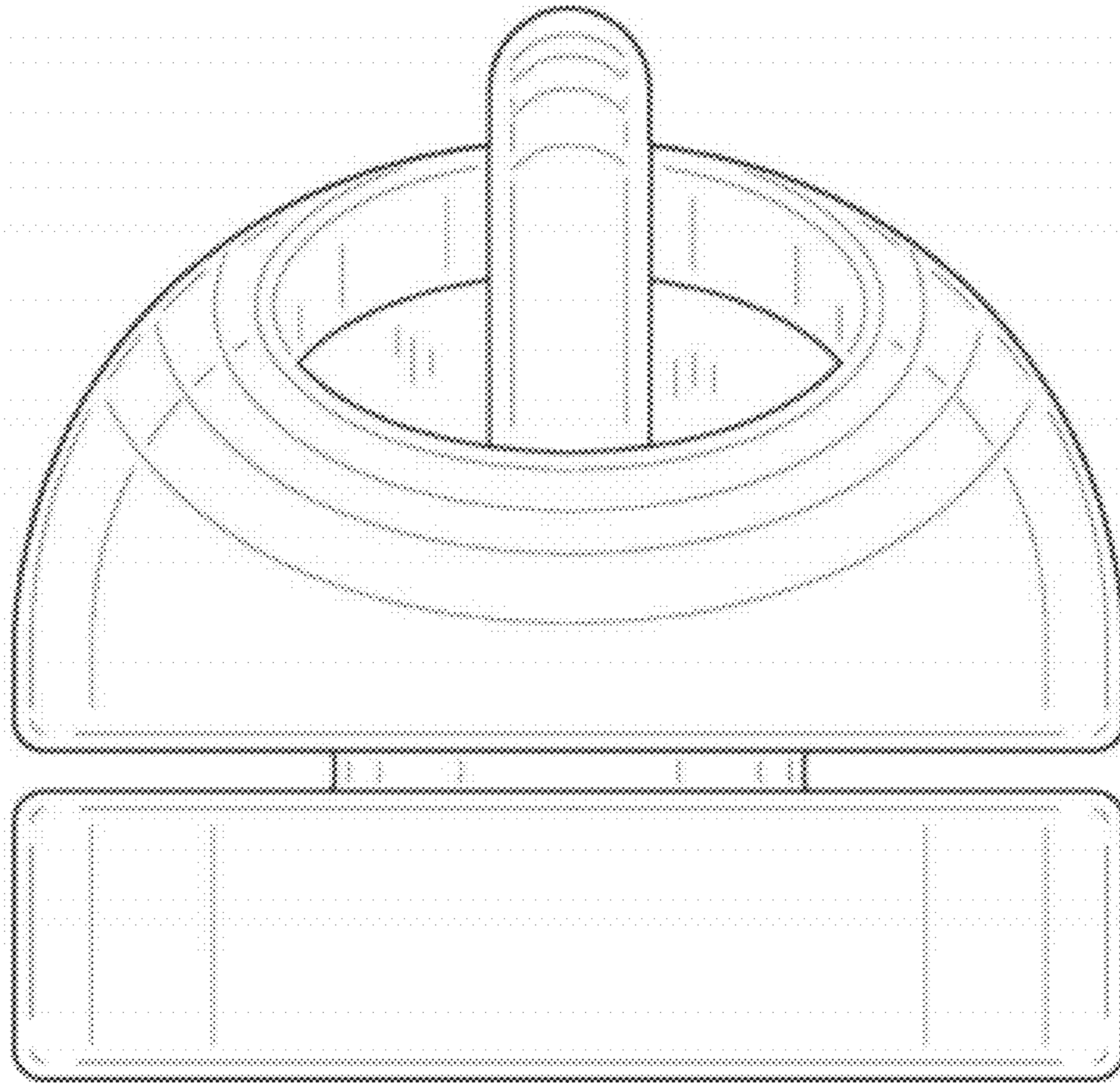


FIG. 2

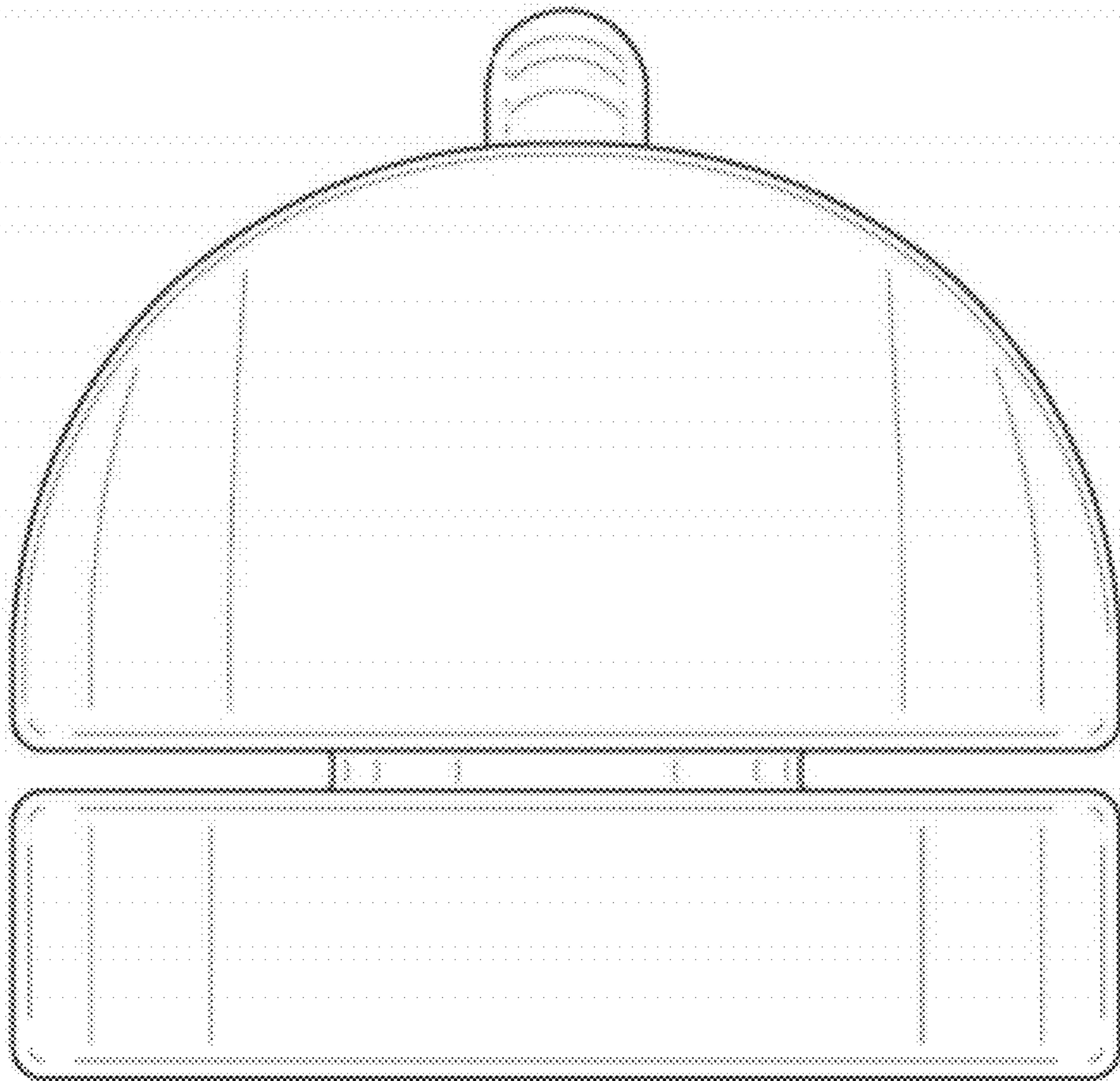


FIG. 3

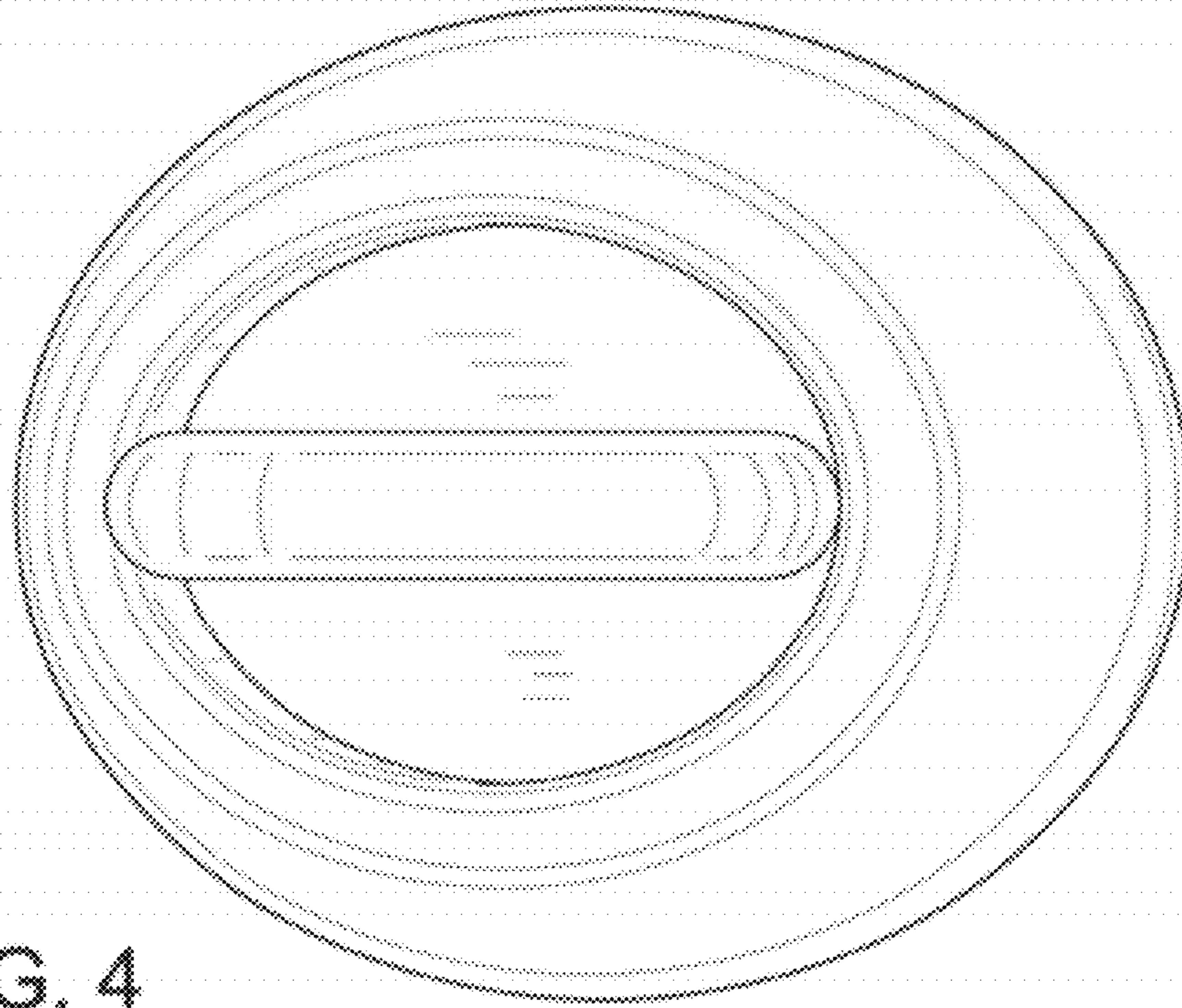


FIG. 4

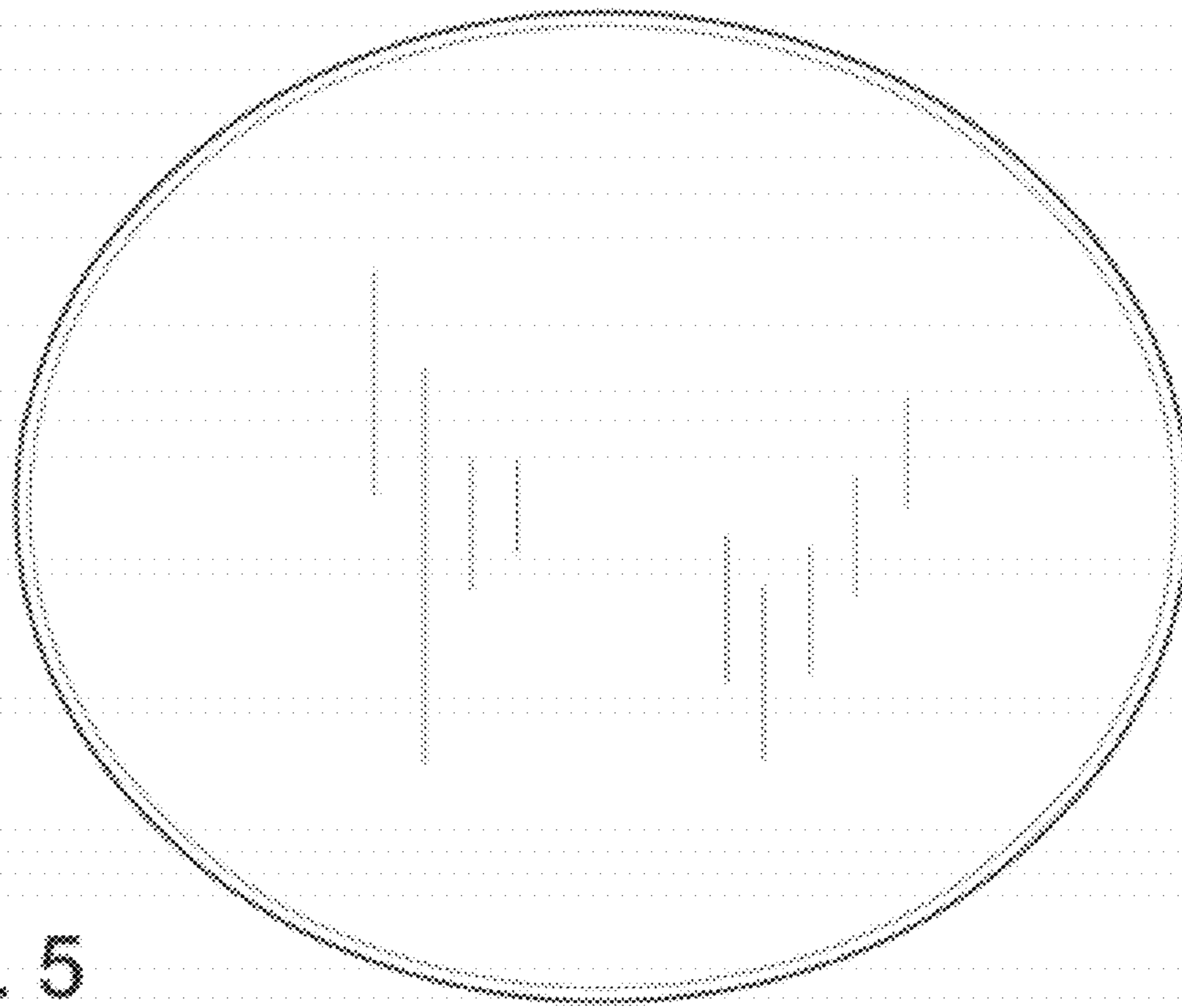


FIG. 5

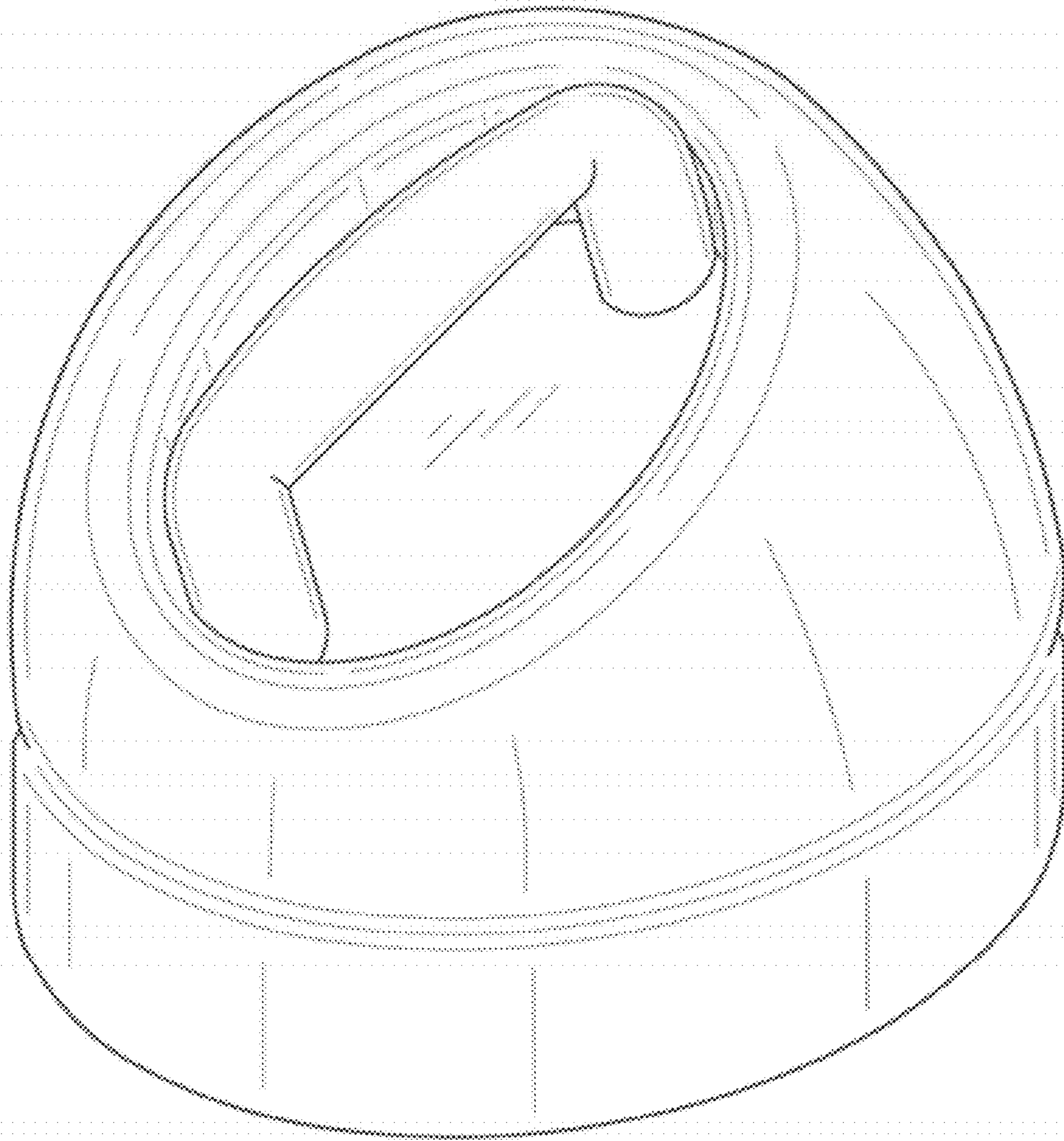


FIG. 6