



US00D671997S

(12) **United States Design Patent**  
**Lien**

(10) **Patent No.:** **US D671,997 S**

(45) **Date of Patent:** **\*\* Dec. 4, 2012**

(54) **WEIGHT SUPPORT**

(75) Inventor: **Louis Lien**, Bellaire, TX (US)

(73) Assignee: **USA Sports, Inc.**, Houston, TX (US)

(\*\*) Term: **14 Years**

(21) Appl. No.: **29/399,992**

(22) Filed: **Aug. 22, 2011**

(51) **LOC (9) Cl.** ..... **21-02**

(52) **U.S. Cl.** ..... **D21/686; D21/662**

(58) **Field of Classification Search** ..... D21/662,  
D21/676, 686, 690, 691, 694; 482/8, 36,  
482/39, 40, 41, 53, 57, 91, 94, 97, 104, 140,  
482/142, 143, 145

See application file for complete search history.

(56) **References Cited**

**U.S. PATENT DOCUMENTS**

2,932,510	A *	4/1960	Kravitz	.....	482/38
D212,021	S *	8/1968	Gregory	.....	D21/686
D302,194	S *	7/1989	Charnitski	.....	D21/686
4,974,839	A *	12/1990	Cantor	.....	482/104
D320,823	S *	10/1991	Tanner	.....	D21/686
D327,719	S *	7/1992	Towley et al.	.....	D21/690
5,306,220	A *	4/1994	Kearney	.....	482/94
5,350,346	A *	9/1994	Martinez	.....	482/142
D381,715	S *	7/1997	Reeder	.....	D21/691
D427,652	S *	7/2000	Webber	.....	D21/676
D441,813	S *	5/2001	Ceppo	.....	D21/686
D462,730	S *	9/2002	Cormier	.....	D21/690

D480,772	S *	10/2003	Washington	.....	D21/686
D495,381	S *	8/2004	Ceppo	.....	D21/686
D502,515	S *	3/2005	Carter	.....	D21/694
6,976,940	B2 *	12/2005	Schneider	.....	482/91
7,160,233	B2 *	1/2007	Perez	.....	482/140
D565,132	S *	3/2008	Lien et al.	.....	D21/686
D578,582	S *	10/2008	Gomez	.....	D21/686
7,530,929	B2 *	5/2009	Feldman et al.	.....	482/57
7,699,754	B2 *	4/2010	Schneider	.....	482/8

\* cited by examiner

*Primary Examiner* — Susan E Krakower

(74) *Attorney, Agent, or Firm* — Osha Liang LLP

(57) **CLAIM**

The ornamental design for a weight support, as shown and described.

**DESCRIPTION**

FIG. 1 is a perspective view of the design according to the invention.

FIG. 2 is a front view of the design according to the invention.

FIG. 3 is a back view of the design according to the invention.

FIG. 4 is a top view of the design according to the invention.

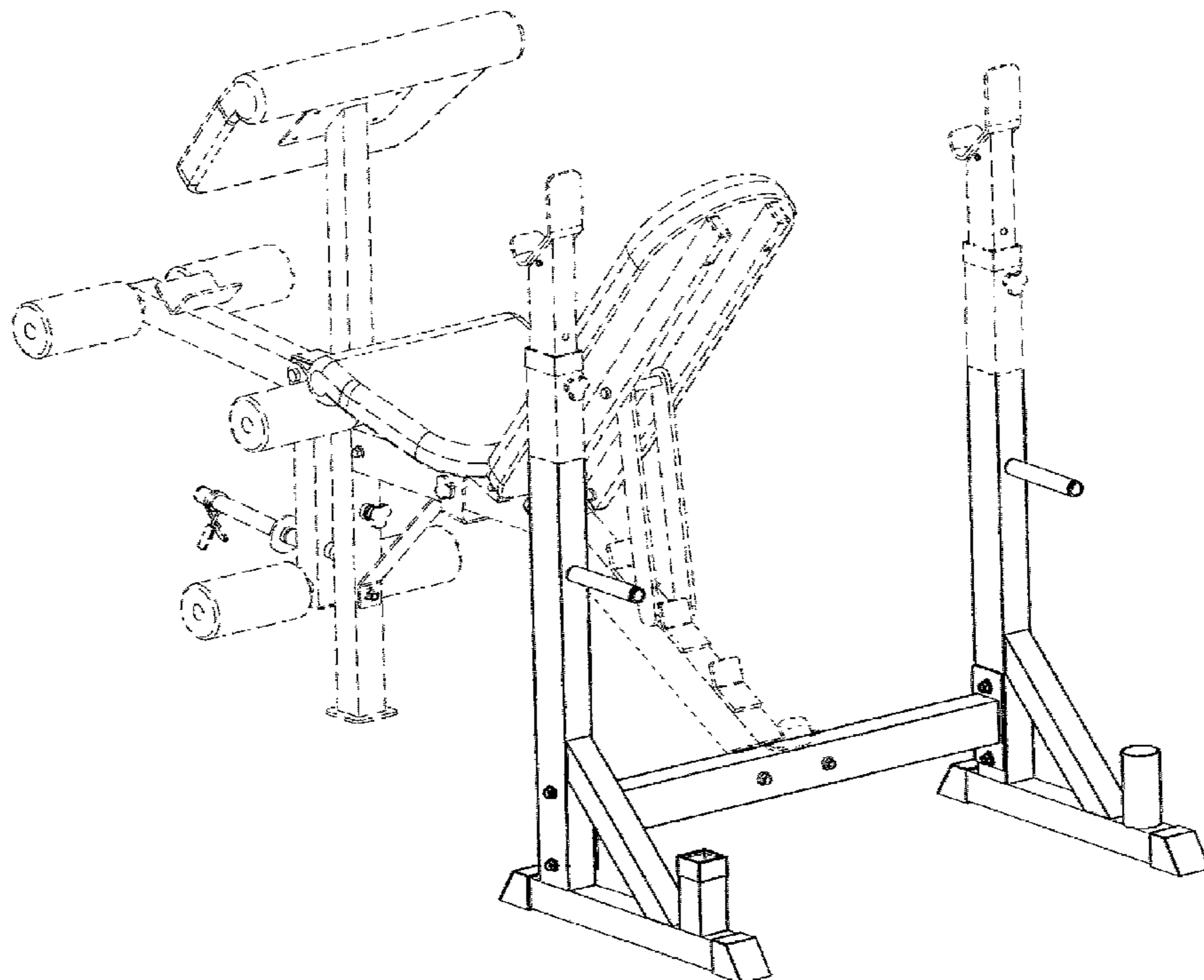
FIG. 5 is a bottom view of the design according to the invention.

FIG. 6 is a right side view of the design according to the invention; and,

FIG. 7 is a left side view of the design according to the invention.

The broken lines illustrate environmental structure and form no part of the claimed design.

**1 Claim, 4 Drawing Sheets**



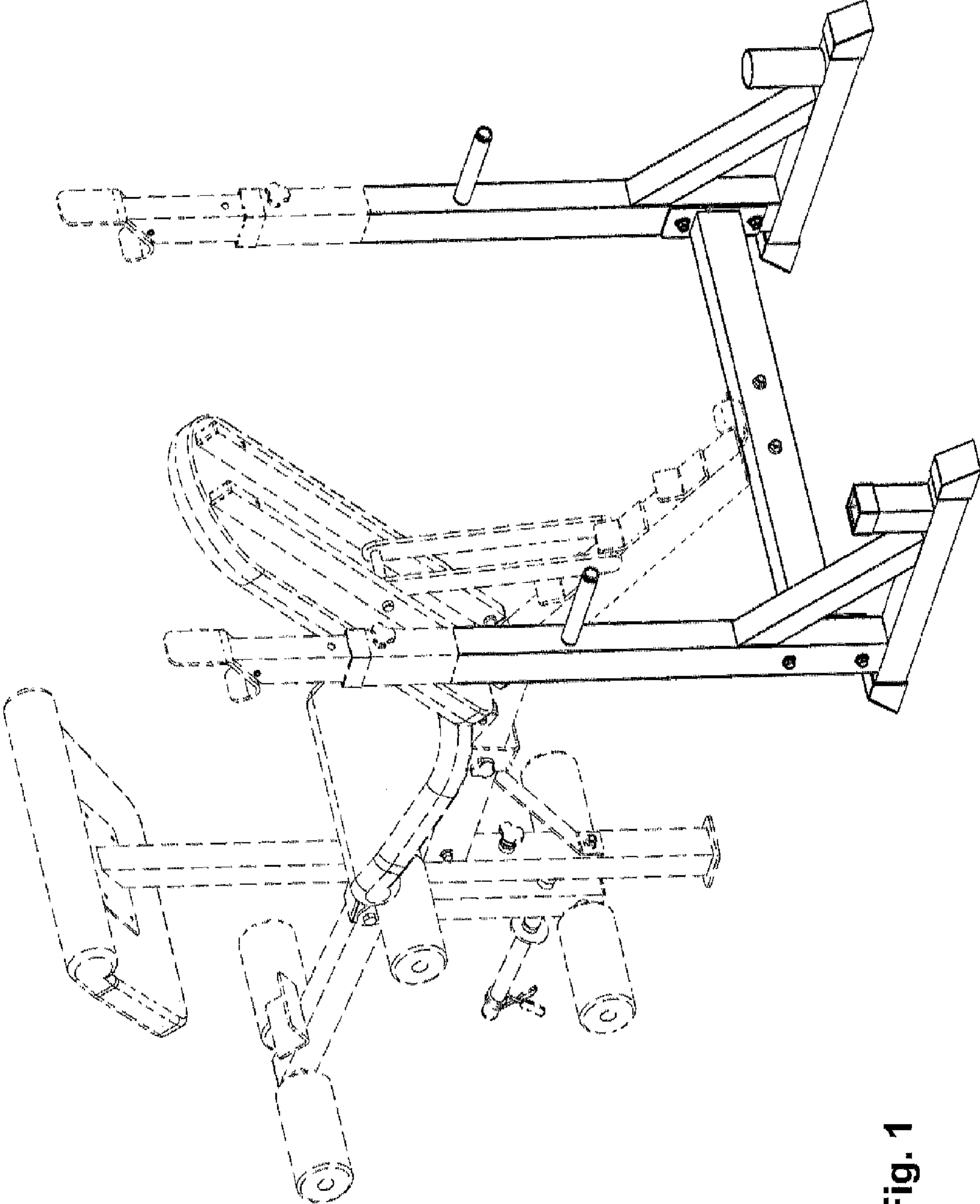


Fig. 1

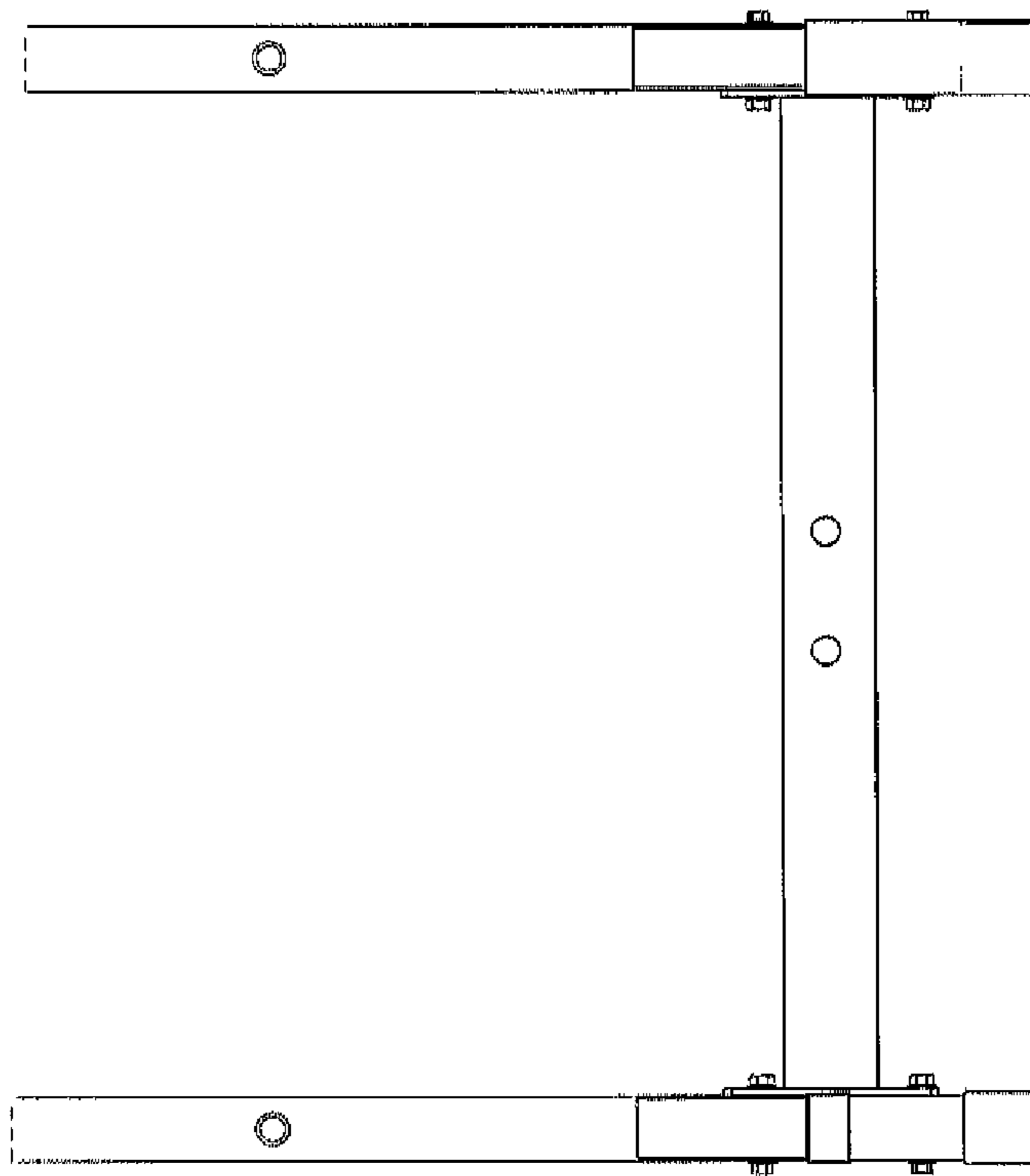


FIG. 3

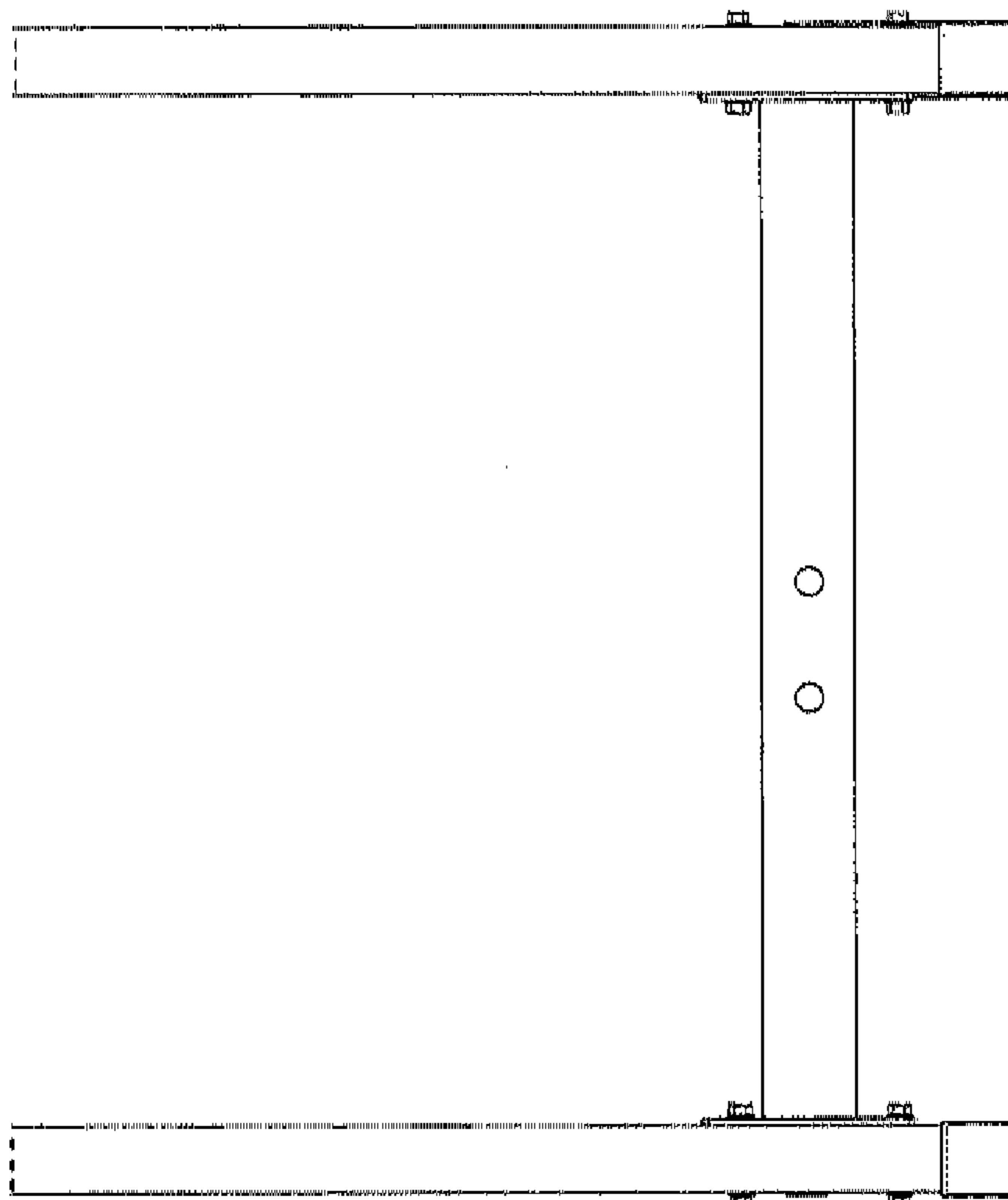


FIG. 2

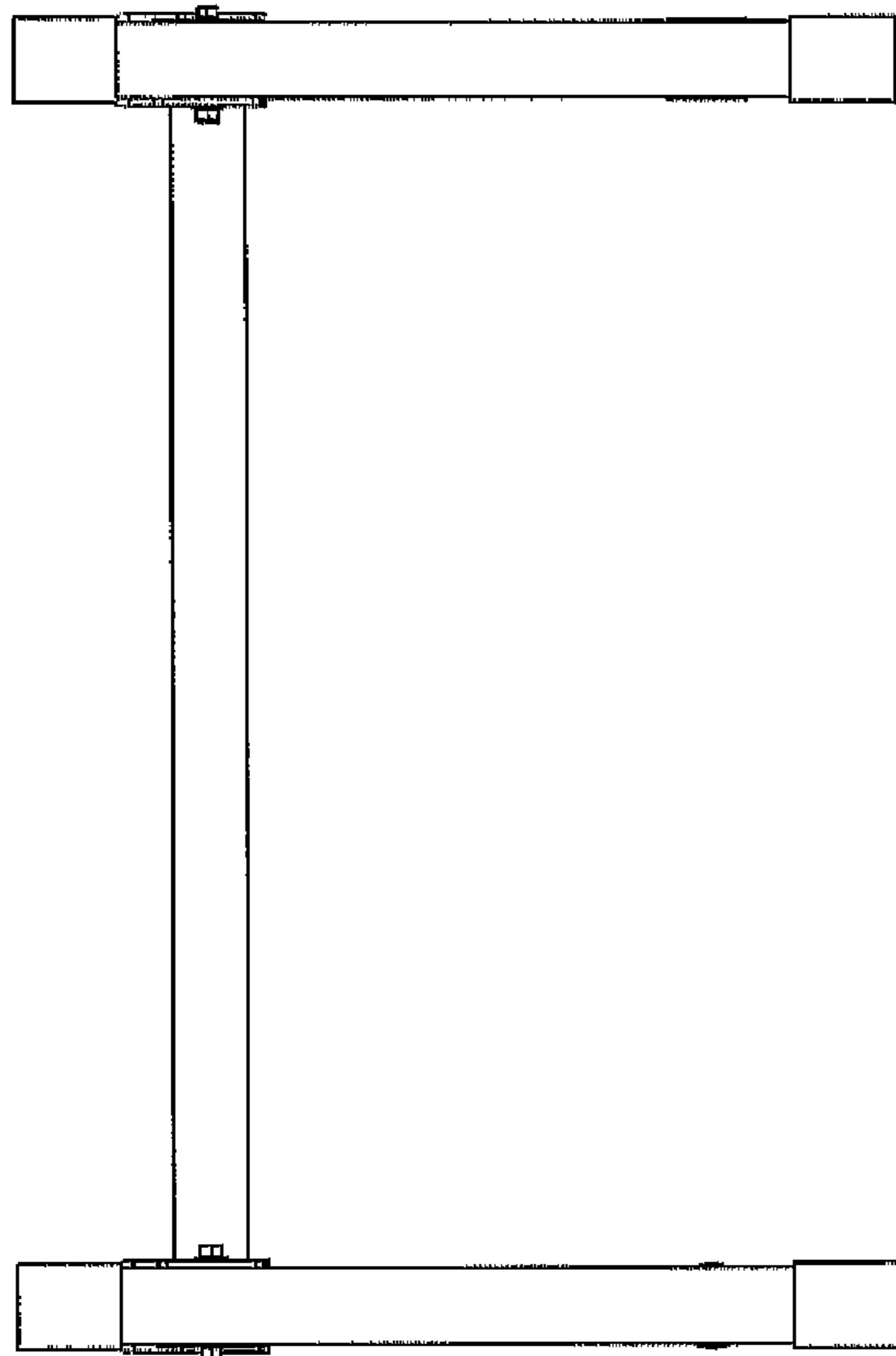


FIG. 5

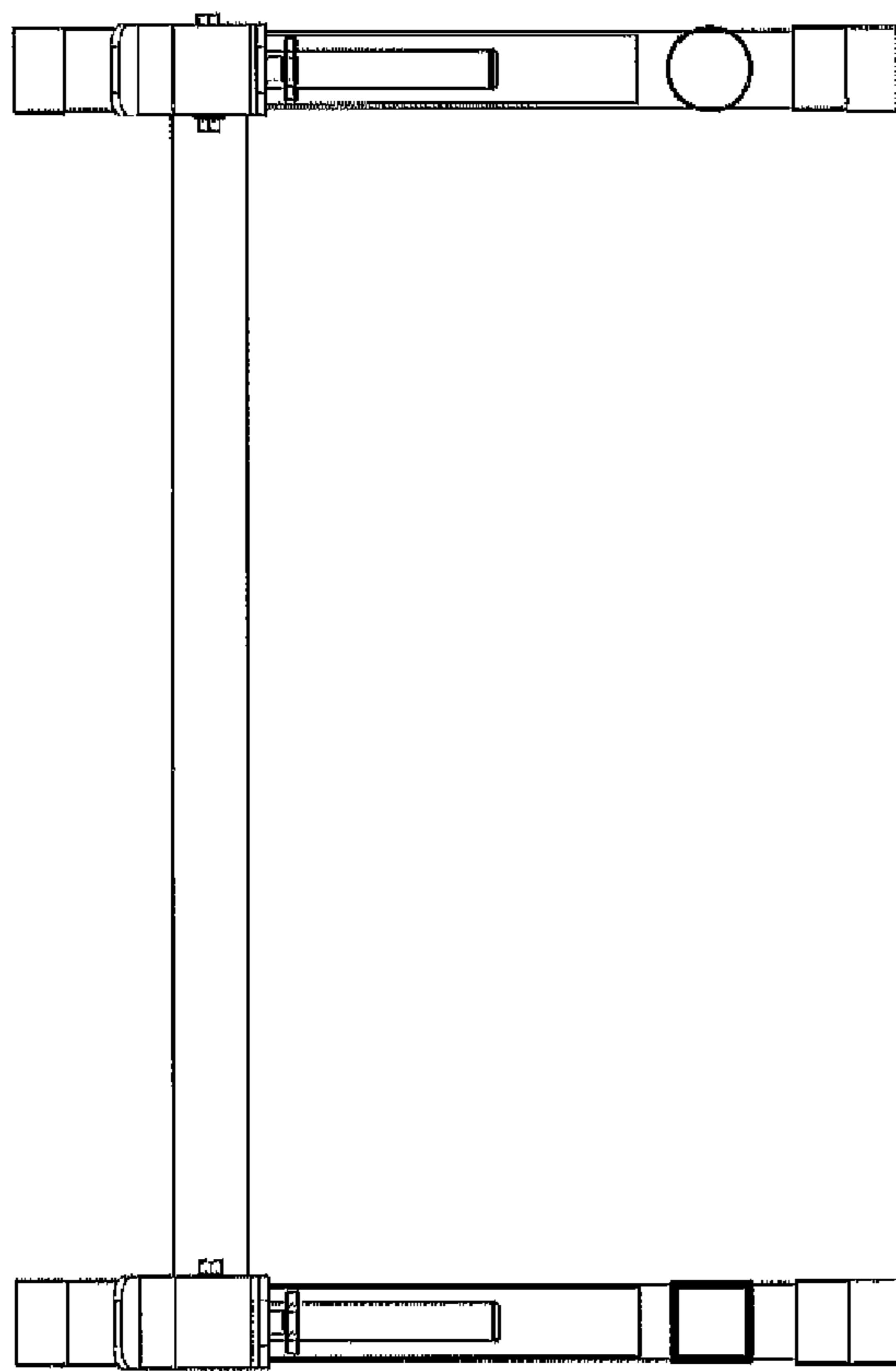


FIG. 4

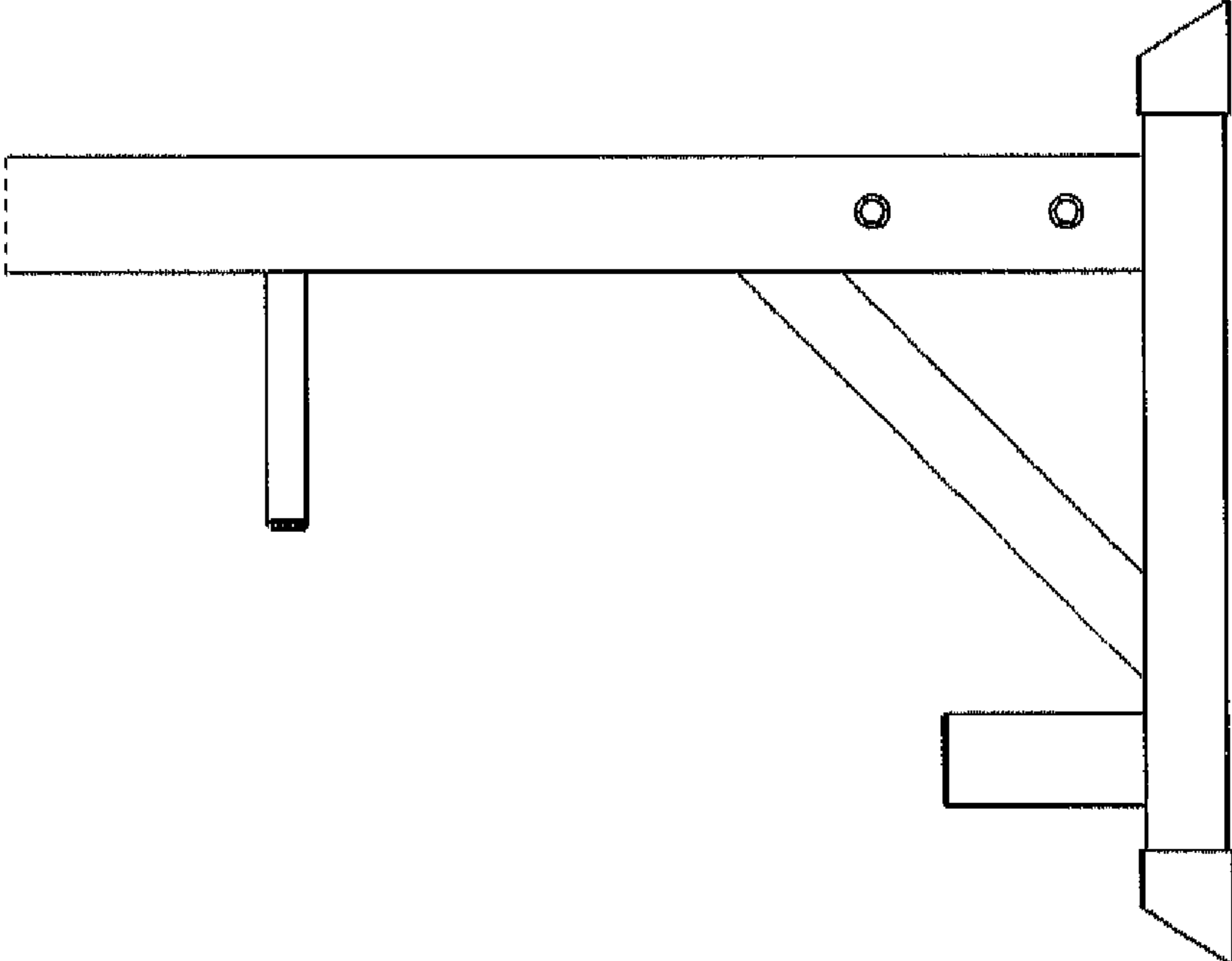


FIG. 7

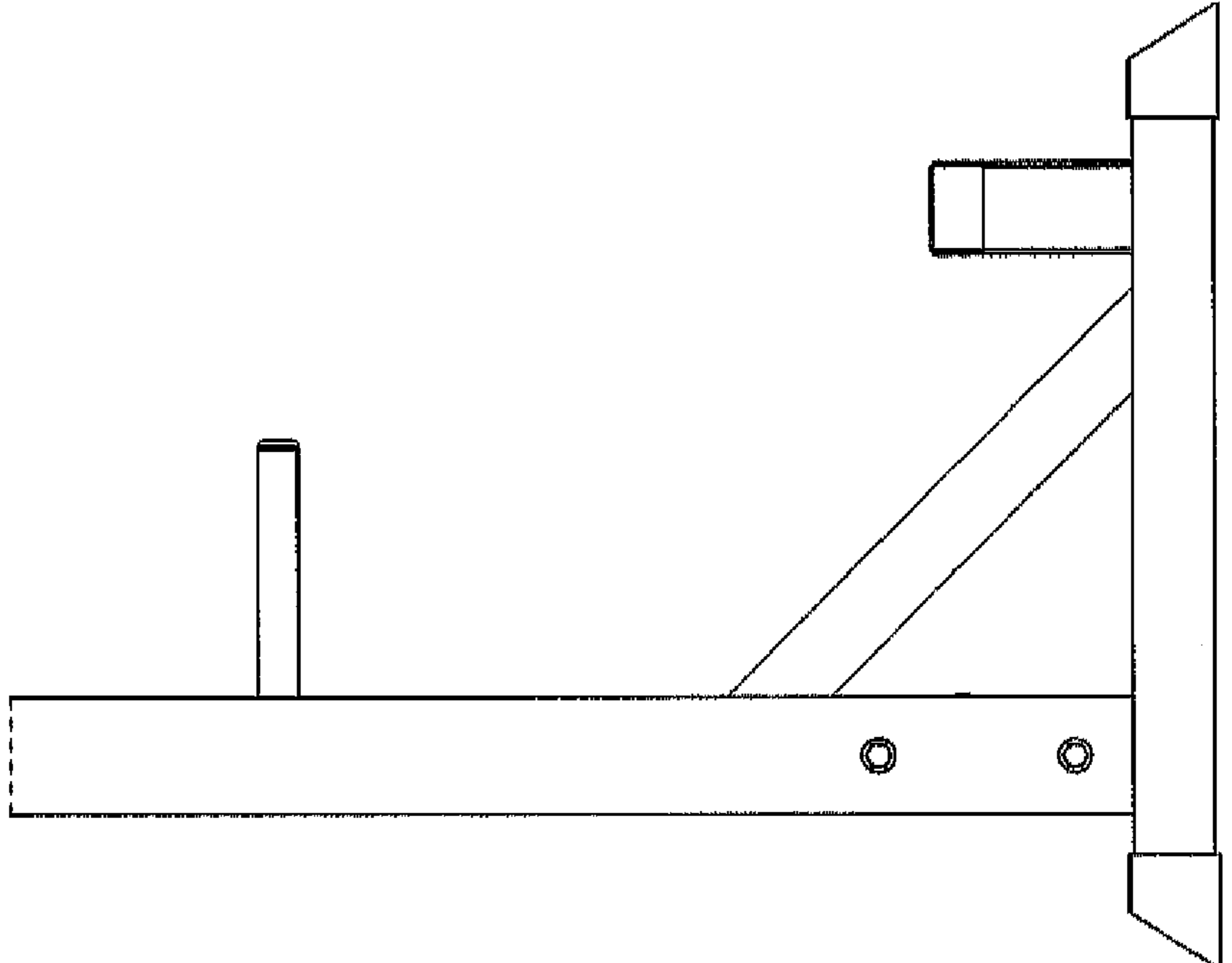


FIG. 6