



US00D671993S

(12) **United States Design Patent**  
**Mimlitch, III et al.**

(10) **Patent No.:** **US D671,993 S**  
(45) **Date of Patent:** **\*\* \*Dec. 4, 2012**

(54) **VERTICAL WASH COMPONENT OF A PLAYSET**

(75) Inventors: **Robert H. Mimlitch, III**, Rowlett, TX (US); **David A. Norman**, Greenville, TX (US); **Douglas Galletti**, Allen, TX (US); **Joel Carter**, Argyle, TX (US); **Gregory Lavender**, Rockwall, TX (US); **Gregory Needel**, Rockwall, TX (US); **Christopher Robert Troyak**, Plano, TX (US); **Jeffrey Russell Waegelin**, Rockwall, TX (US); **Brian Richard Delaney**, Rockwall, TX (US)

(73) Assignee: **Innovation First International, Inc.**, Greenville, TX (US)

(\*) Notice: This patent is subject to a terminal disclaimer.

(\*\*) Term: **14 Years**

(21) Appl. No.: **29/399,056**

(22) Filed: **Aug. 9, 2011**

(51) **LOC (9) Cl.** ..... **21-01**

(52) **U.S. Cl.** ..... **D21/509; D21/565; D21/526**

(58) **Field of Classification Search** ..... D21/509, D21/526, 565, 814; 446/15, 75, 84, 89, 108, 446/112, 114, 116, 124-128, 423, 424, 445, 446/476, 478, 483; 463/58-69; 238/10 R, 238/10 A-10 C, 10 E, 10 F

See application file for complete search history.

(56) **References Cited**

U.S. PATENT DOCUMENTS

D247,437	S	*	3/1978	Nelson	.....	D32/4
4,356,657	A	*	11/1982	Goldfarb et al.	.....	446/236
D311,553	S	*	10/1990	Dideriksen	.....	D21/526
5,015,210	A	*	5/1991	Dideriksen	.....	446/128
D366,290	S	*	1/1996	Dieudonne	.....	D21/509
D519,690	S	*	4/2006	Forster et al.	.....	D32/4
7,618,301	B2	*	11/2009	Knight et al.	.....	446/75
2003/0082985	A1	*	5/2003	Payne et al.	.....	446/15

\* cited by examiner

*Primary Examiner* — Cynthia M Chin

(74) *Attorney, Agent, or Firm* — Adam K. Sacharoff

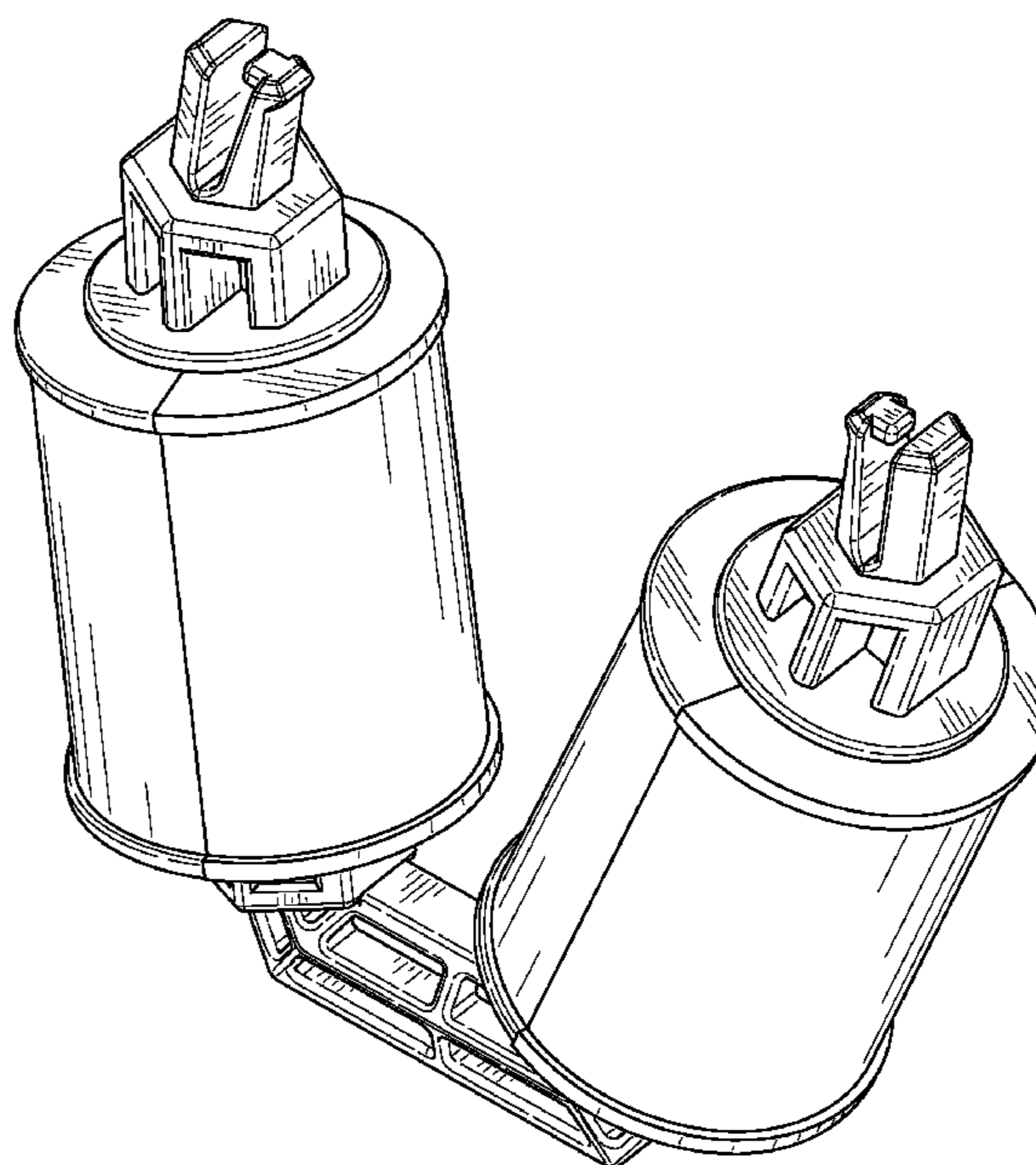
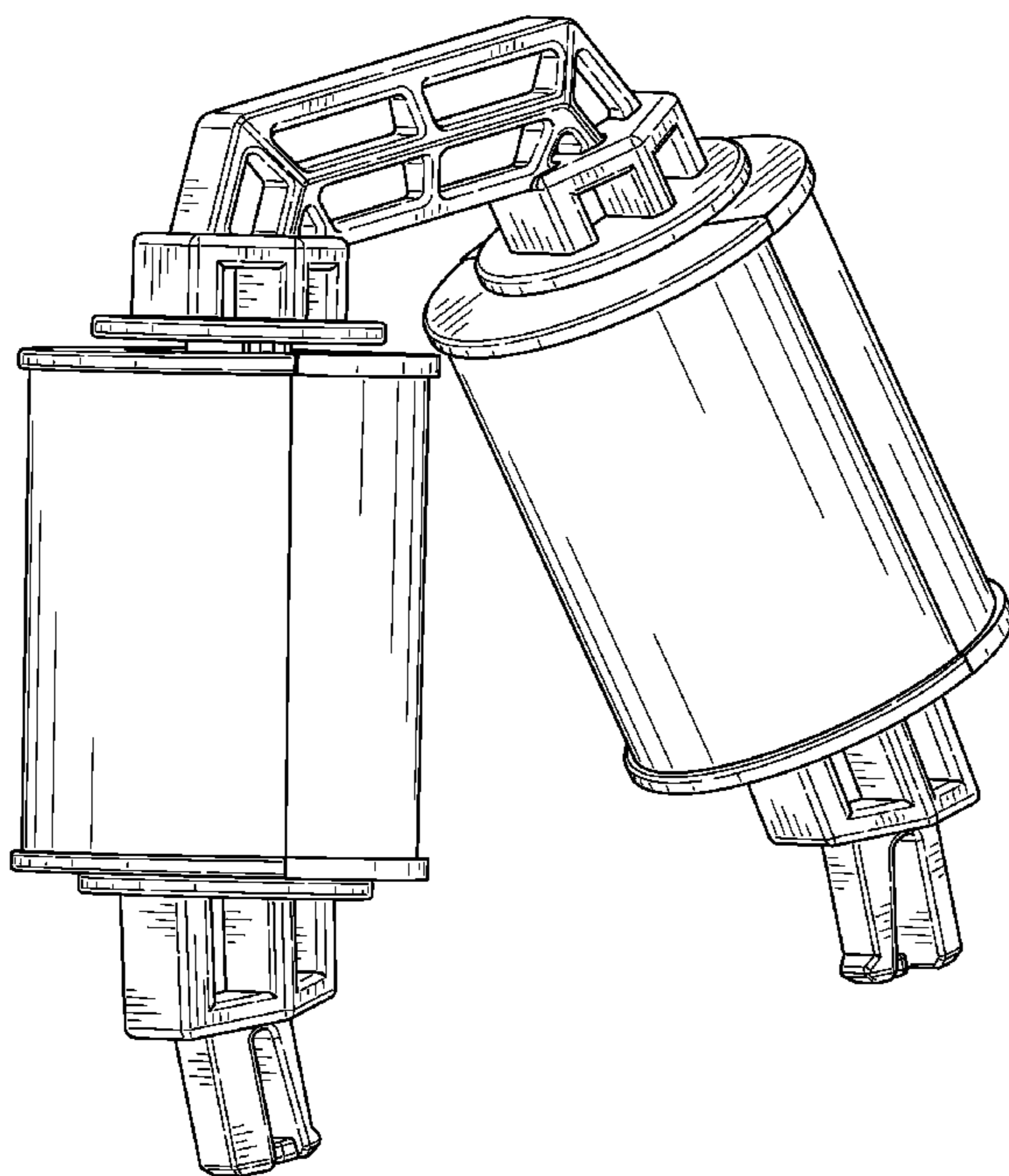
(57) **CLAIM**

The ornamental design for a vertical wash component of a playset, as shown and described.

**DESCRIPTION**

FIG. 1 is a top perspective view showing the vertical wash component of a playset;  
FIG. 2 is a bottom perspective view of FIG. 1;  
FIG. 3 is a front side view of FIG. 1, the back side view being a mirror image thereof;  
FIG. 4 is a bottom view of FIG. 1;  
FIG. 5 is a top side view of FIG. 1; and,  
FIG. 6 is a side view of FIG. 1, the opposite side view being a mirror image thereof.

**1 Claim, 5 Drawing Sheets**



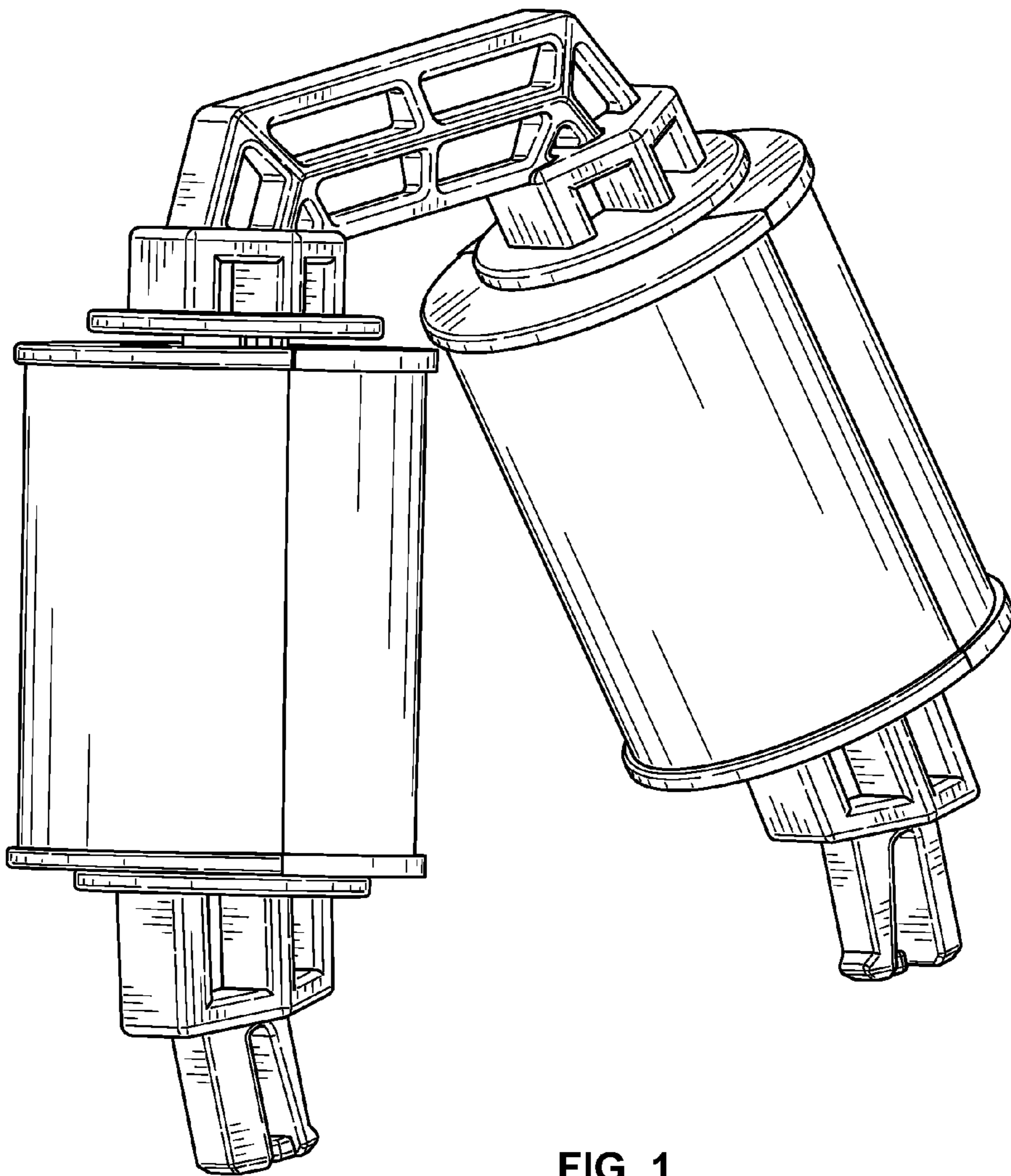


FIG. 1

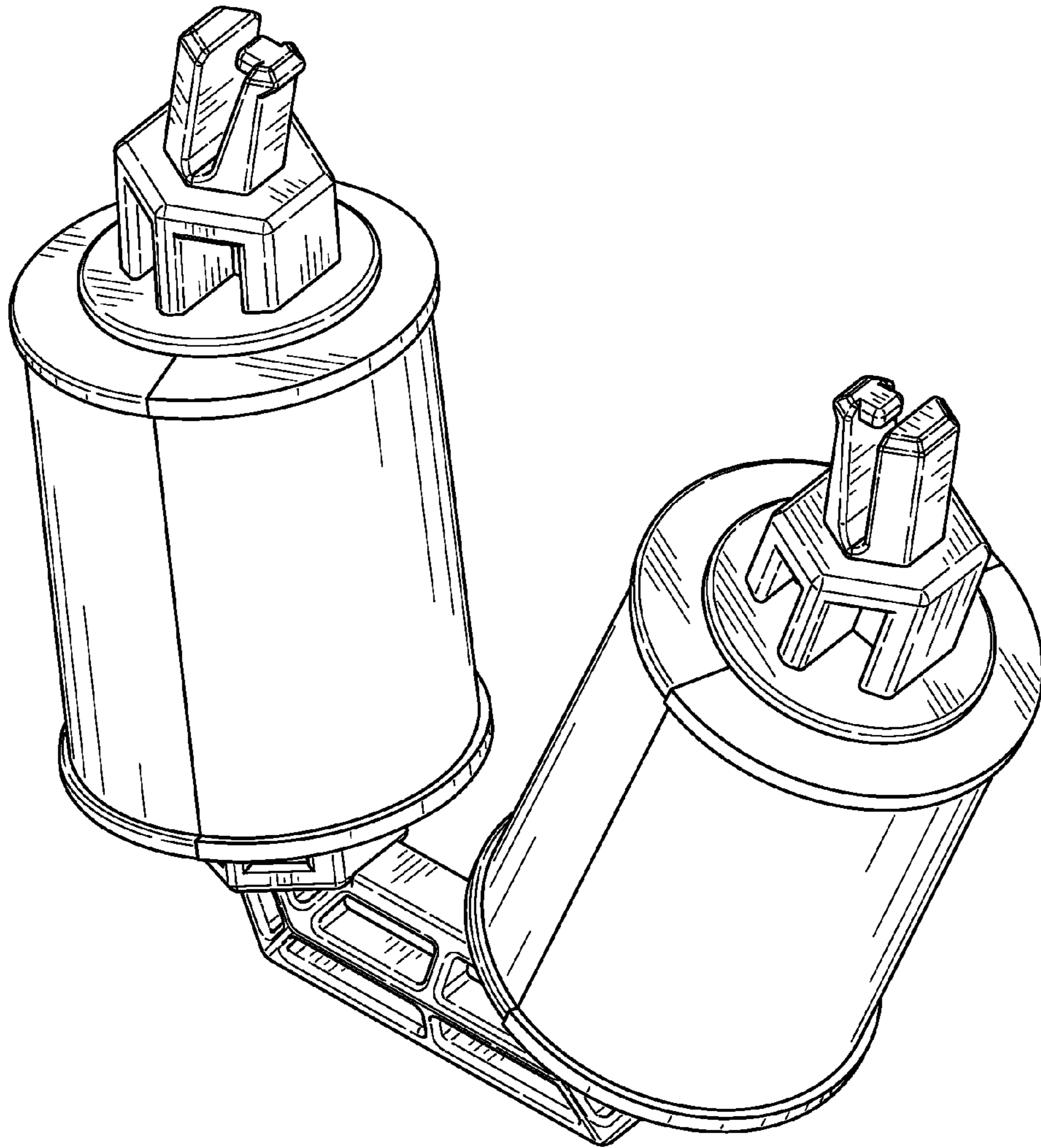


FIG. 2

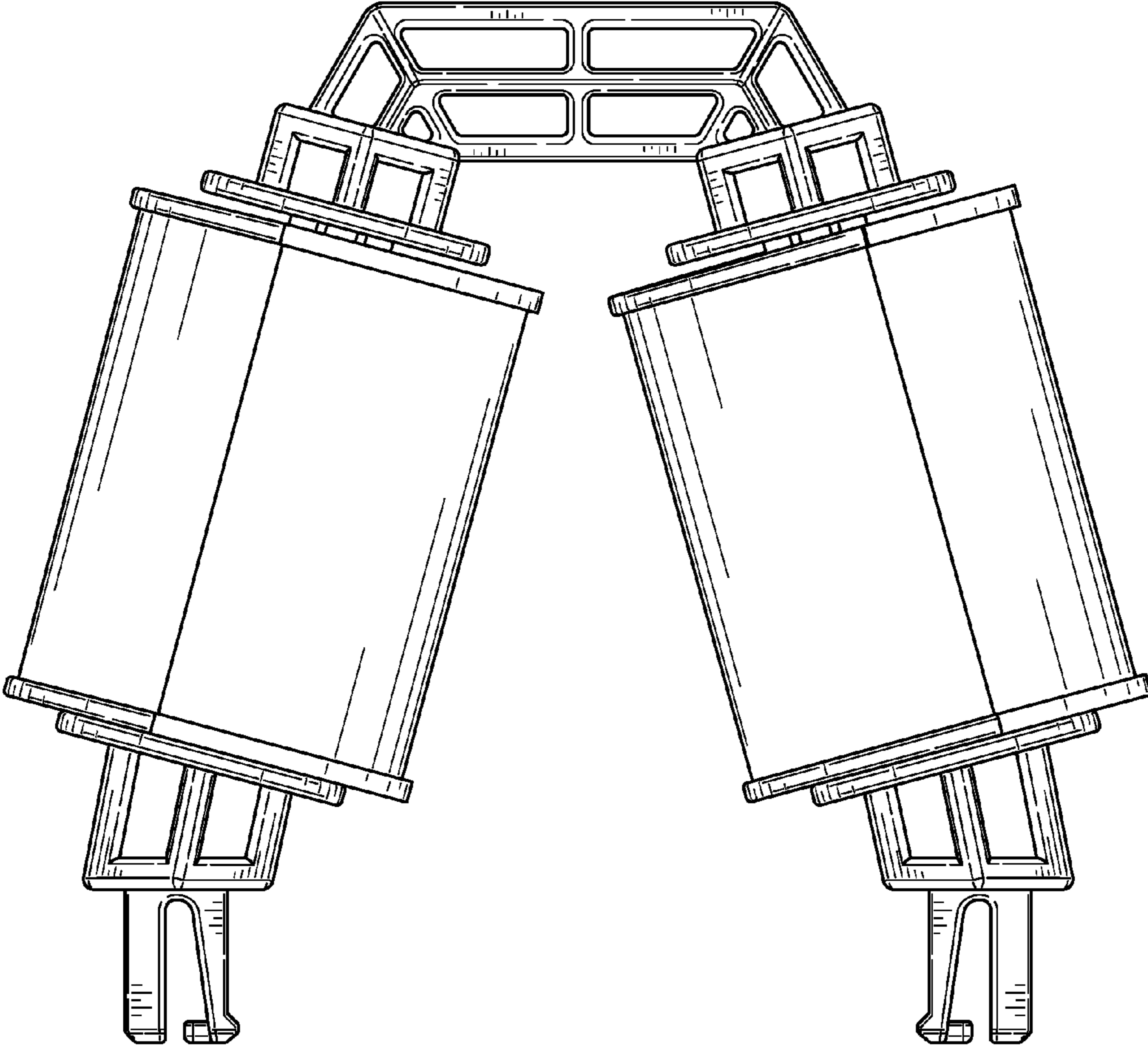


FIG. 3

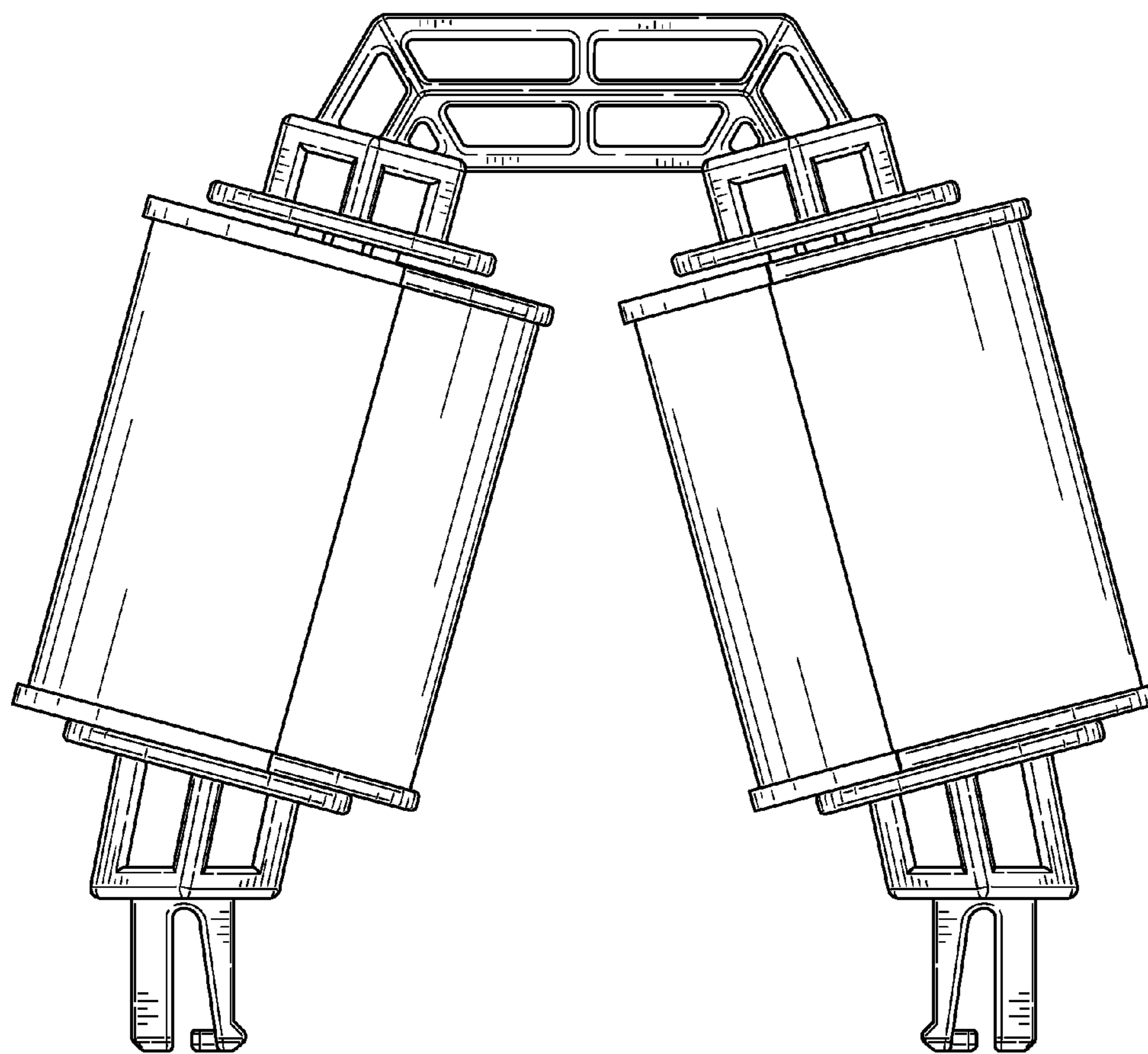


FIG. 4

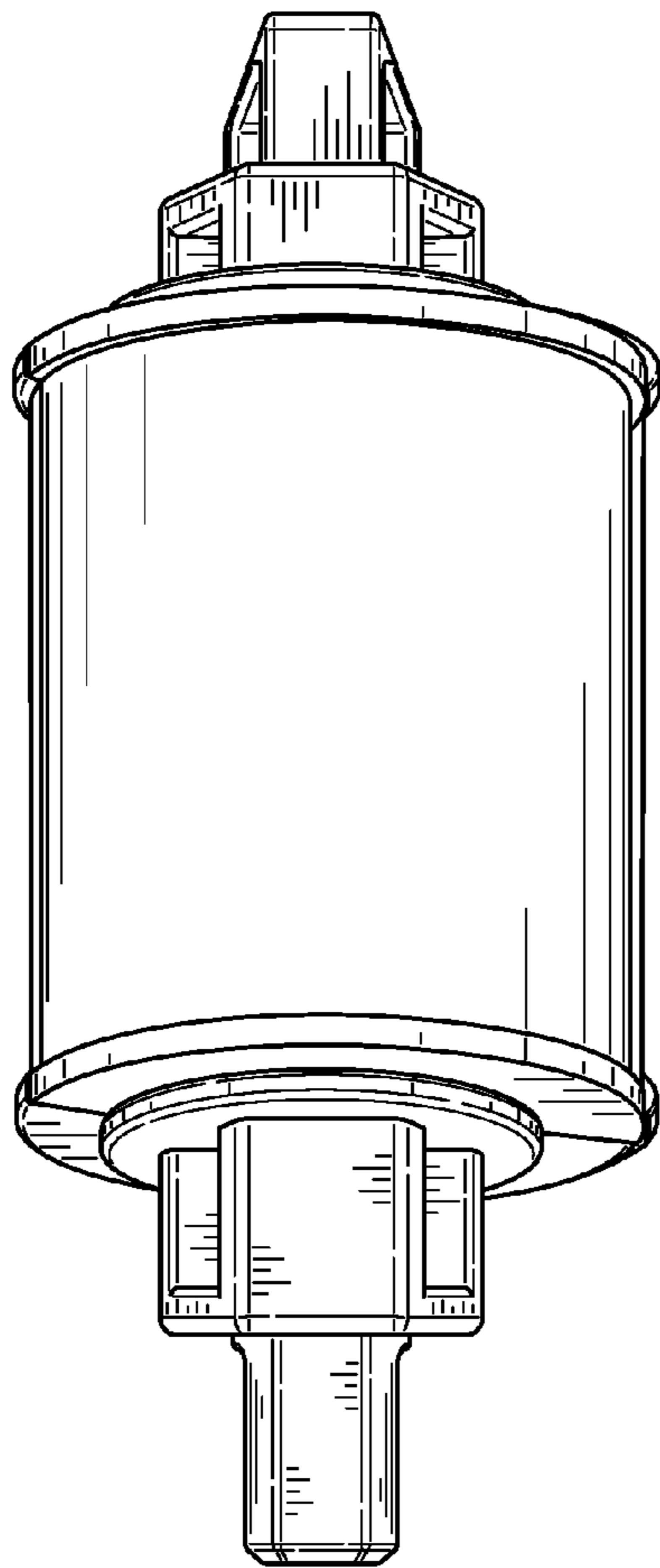


FIG. 5

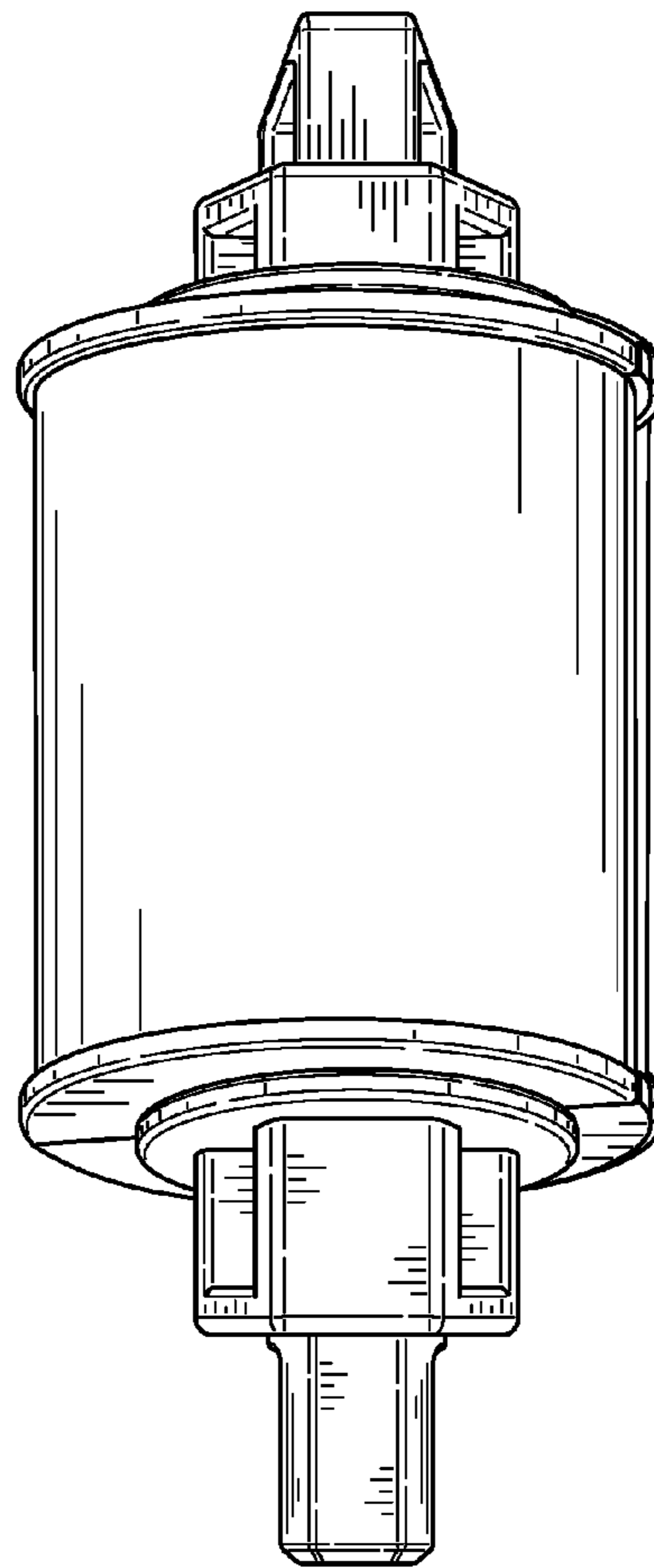


FIG. 6