



US00D671992S

(12) **United States Design Patent**
Aquino et al.

(10) **Patent No.:** **US D671,992 S**
(45) **Date of Patent:** **** Dec. 4, 2012**

(54) **TAPE DISPENSER**

(75) Inventors: **Matthieu Aquino**, Milan (IT); **Monica Dalla Riva**, Milan (IT); **Peter J. Newbould**, Milan (IT); **Ivana Babic**, Milan (IT); **Serge F. Masset**, Paris (FR)

(73) Assignee: **3M Innovative Properties Company**, St. Paul, MN (US)

(**) Term: **14 Years**

(21) Appl. No.: **29/411,959**

(22) Filed: **Jan. 27, 2012**

(51) **LOC (9) Cl.** **08-02**

(52) **U.S. Cl.** **D19/69**

(58) **Field of Classification Search** D19/36,
D19/70, 69, 68; D13/133, 146; 242/588.6,
242/588.3, 588.2; 225/77, 6, 56, 69, 26,
225/25, 19, 11; 206/411; 156/577, 527,
156/523

See application file for complete search history.

(56) **References Cited**

U.S. PATENT DOCUMENTS

D161,072 S * 11/1950 White D19/69
2,708,076 A * 5/1955 Polster et al. 225/34
D187,678 S * 4/1960 Wildgen D19/69
D248,961 S * 8/1978 De brey D19/69
D275,321 S * 8/1984 Heinzelman et al. D19/69

D284,586 S * 7/1986 Runbjork D19/69
D299,658 S * 1/1989 Vasilakes et al. D19/69
D325,394 S * 4/1992 Ishii D19/68
D501,225 S * 1/2005 Milliorn D19/69
D630,252 S * 1/2011 Abulaf D19/69

* cited by examiner

Primary Examiner — Austin Murphy

(74) *Attorney, Agent, or Firm* — Kevin W. Weber; Irina Hass

(57) **CLAIM**

The ornamental design for a tape dispenser, as shown and described.

DESCRIPTION

FIG. 1 is a perspective view of a tape dispenser showing the new design;

FIG. 2 is a side view, the opposite side being a mirror image thereof;

FIG. 3 is a top view thereof;

FIG. 4 is a bottom view thereof;

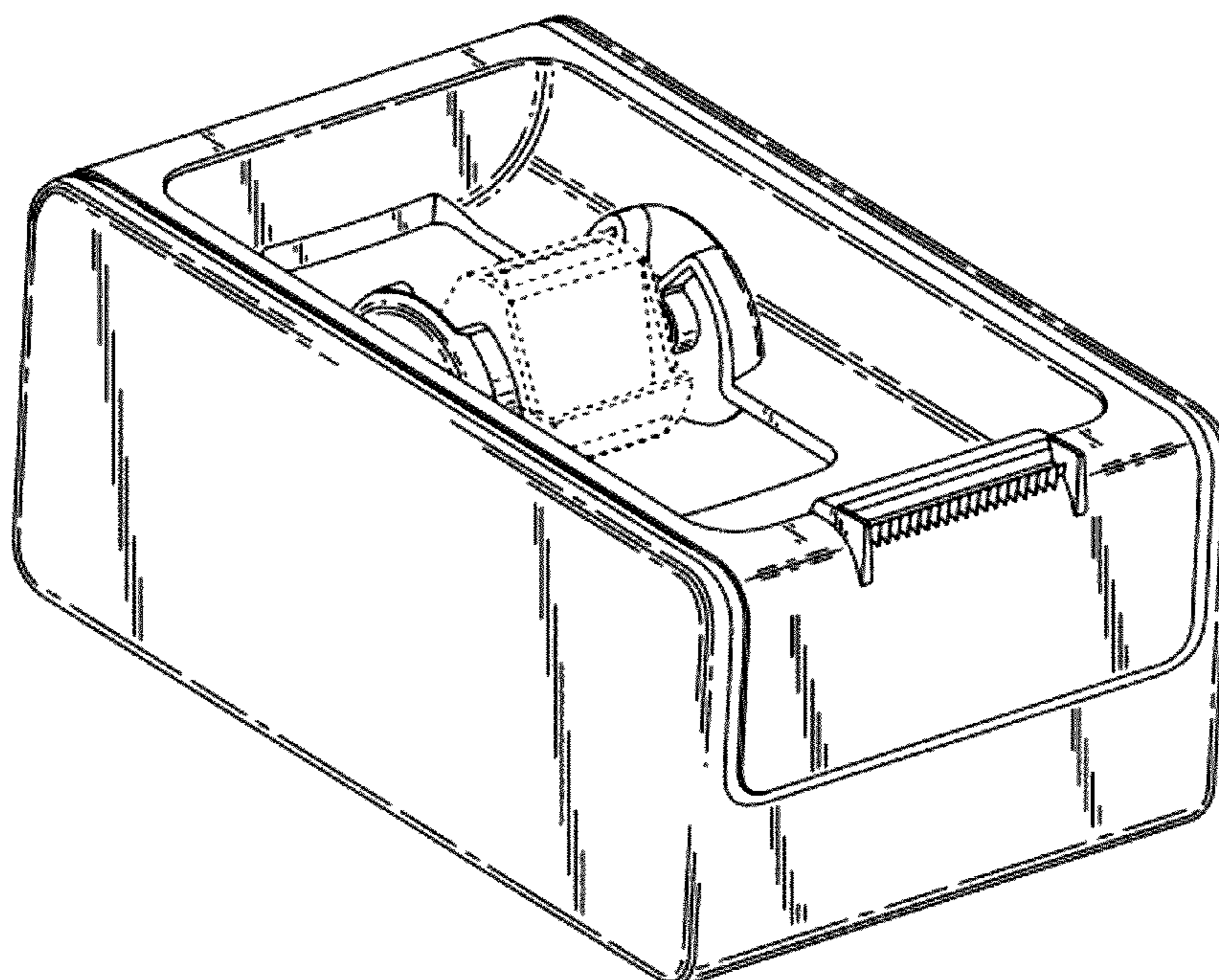
FIG. 5 is a front view thereof;

FIG. 6 is a rear view thereof; and,

FIG. 7 is an alternate view of FIG. 1 showing the front and side views as transparent for the purpose of clearly depicting the dispensing mechanism and inner contours of the tape dispenser. This view is not an additional embodiment.

The broken lines depicting certain structural features of the tape dispenser are for illustration purposes only and form no part of the claimed design.

1 Claim, 3 Drawing Sheets



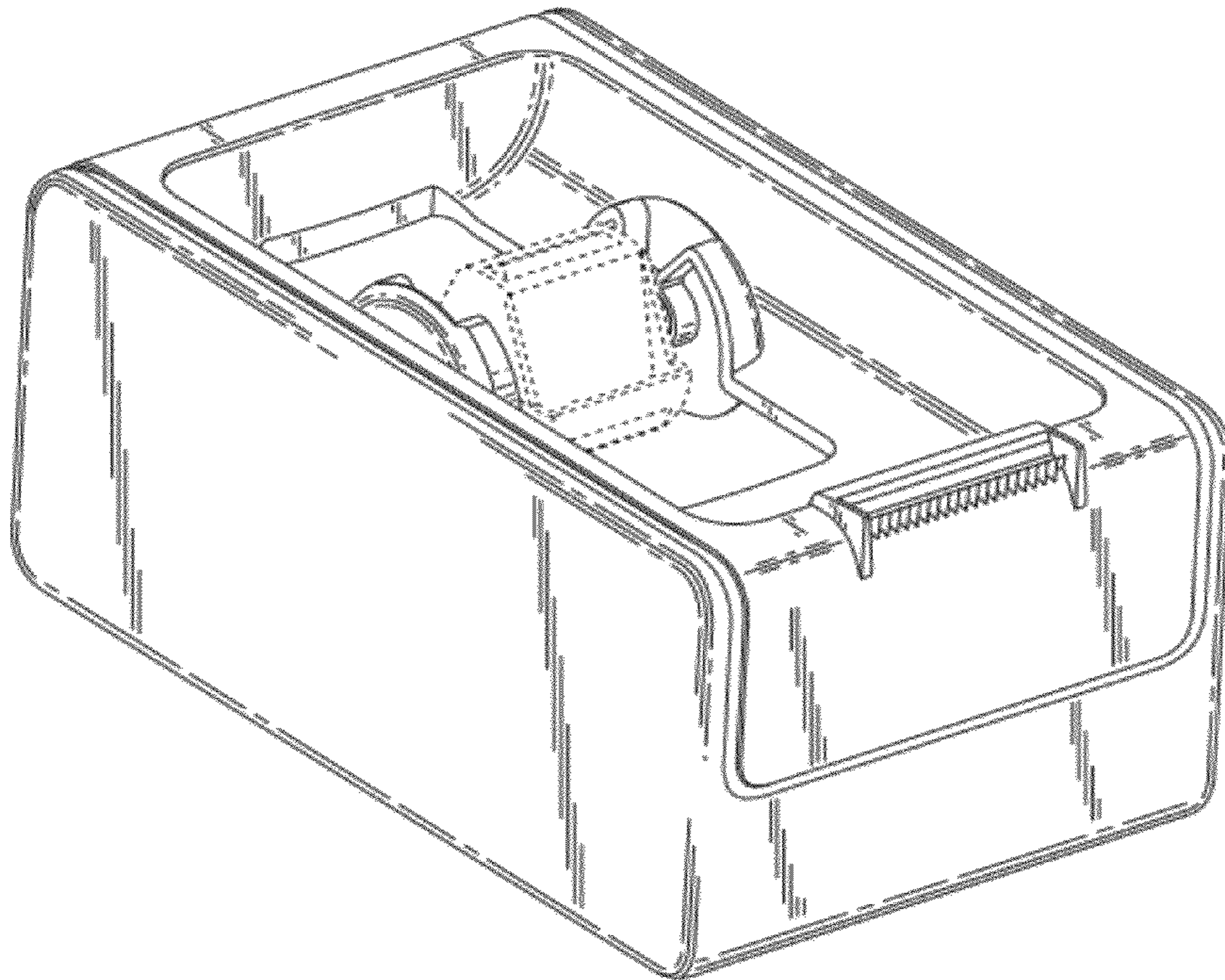


Fig. 1



Fig. 2

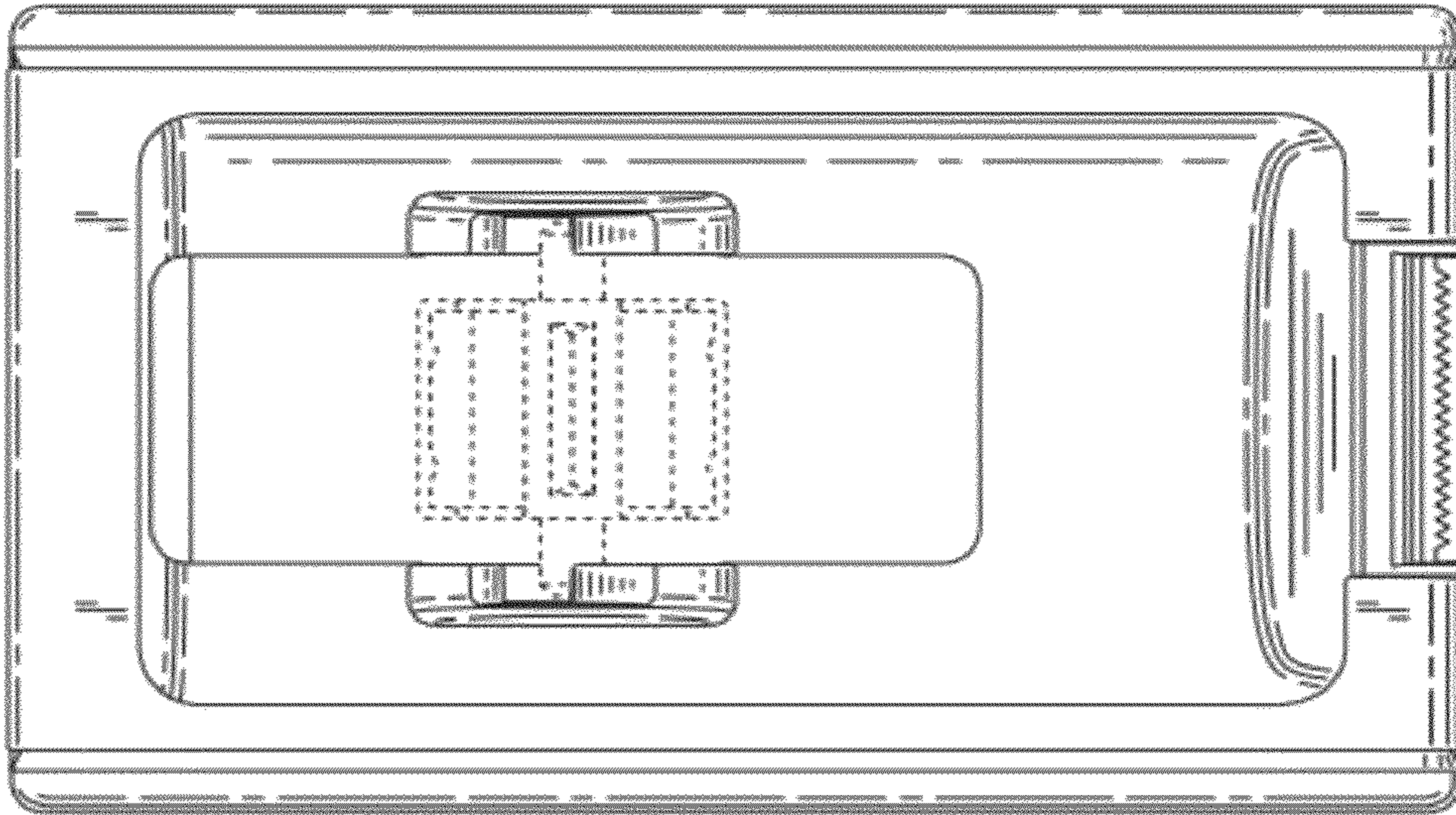


Fig. 3

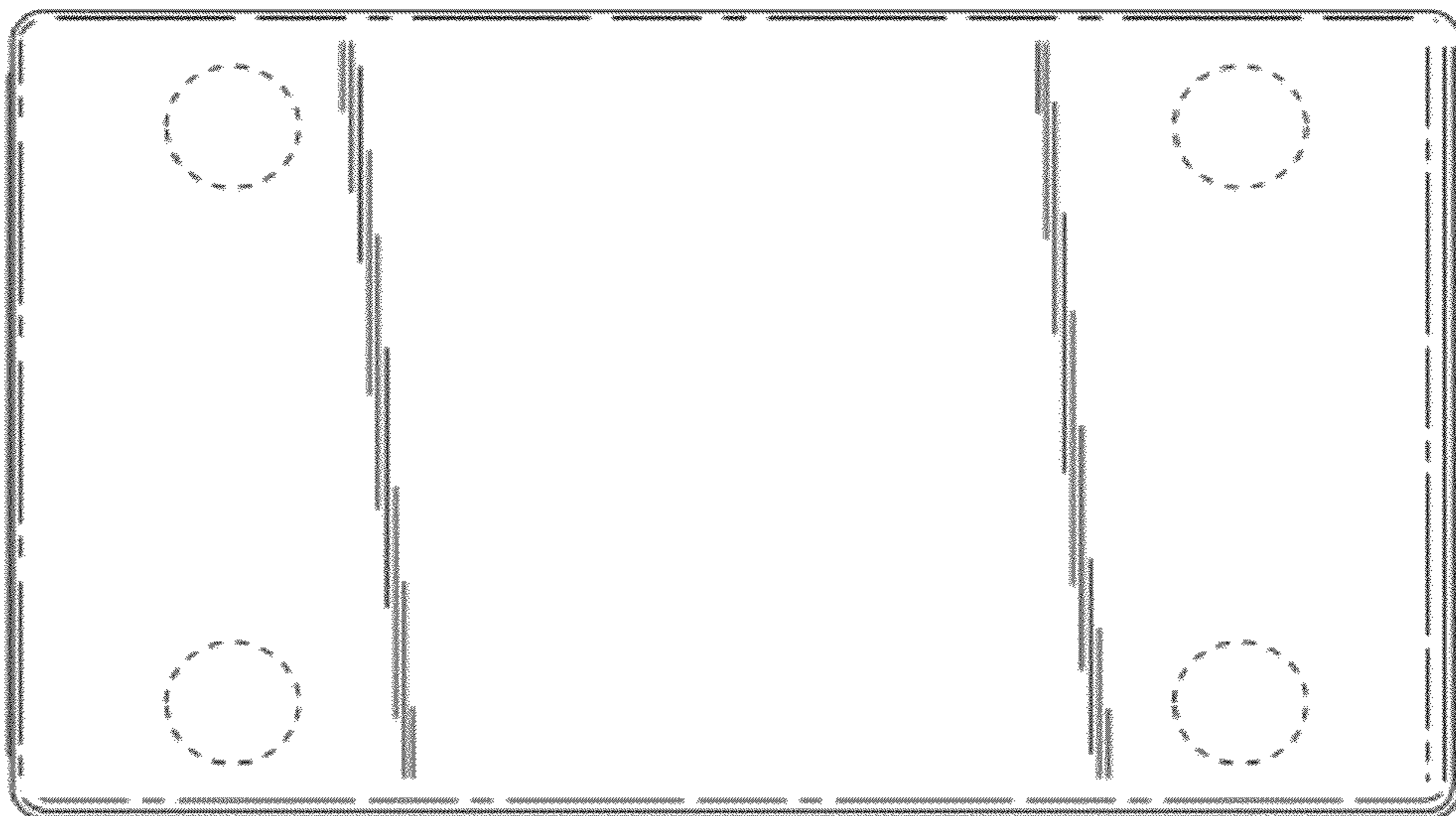


Fig. 4

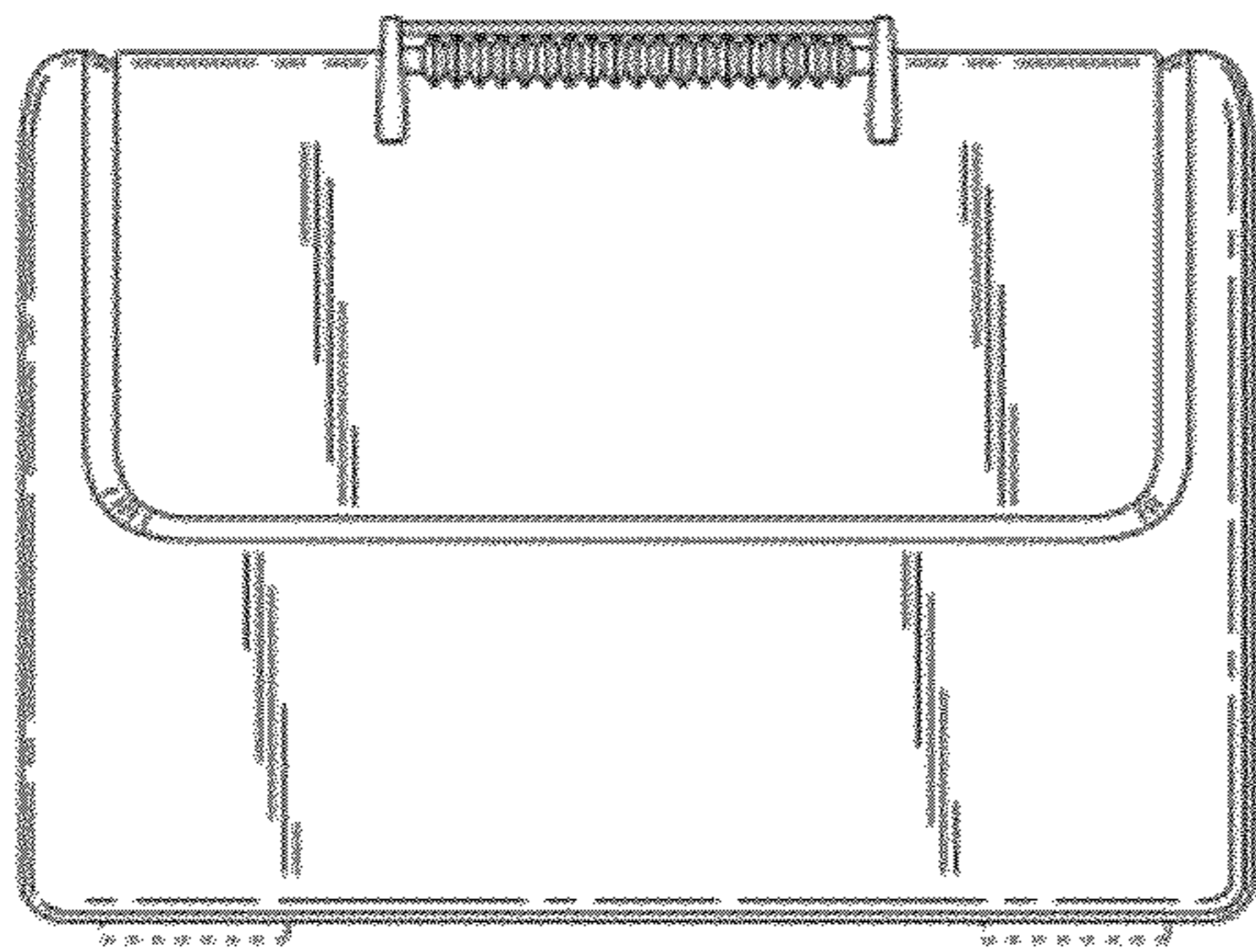


Fig. 5

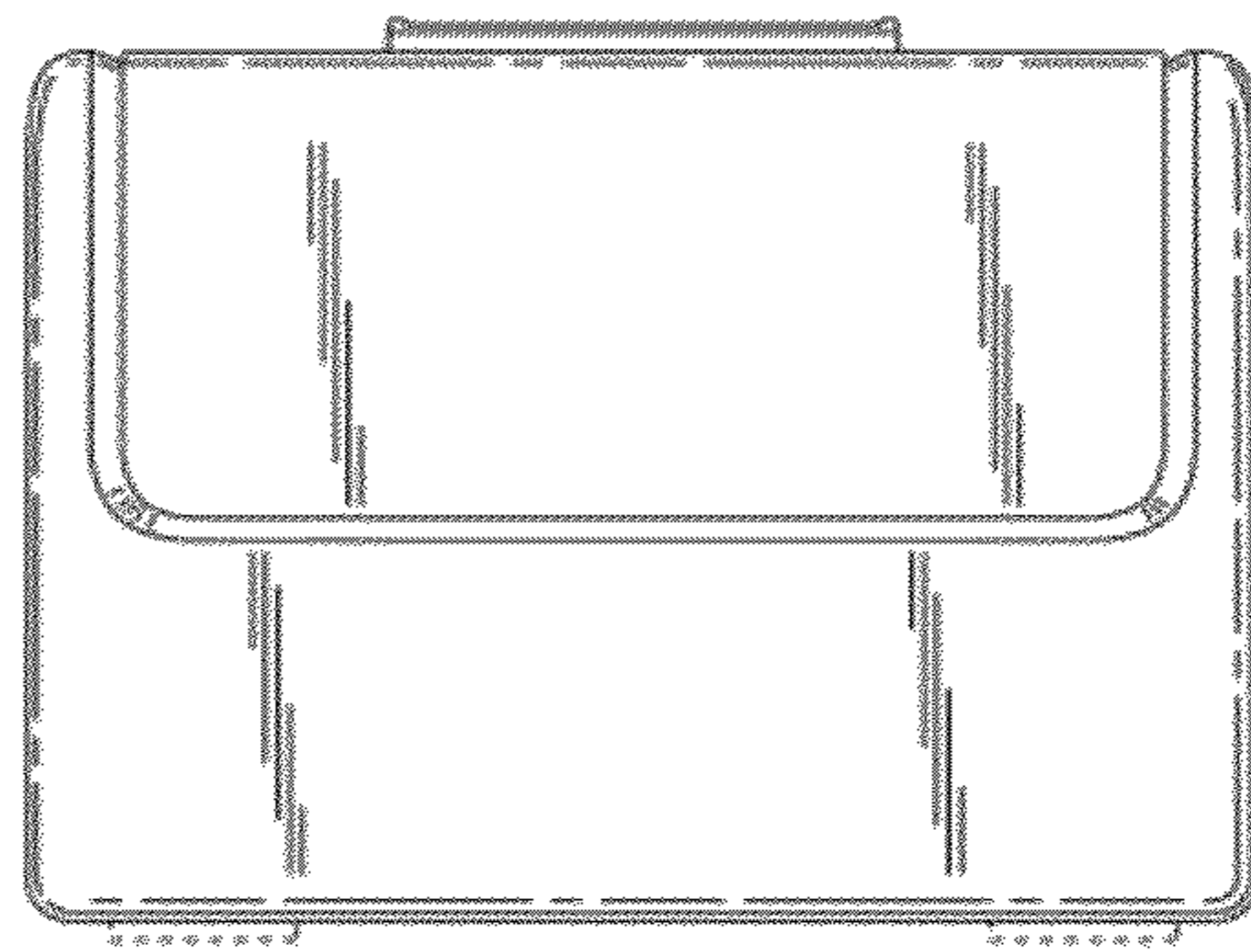


Fig. 6

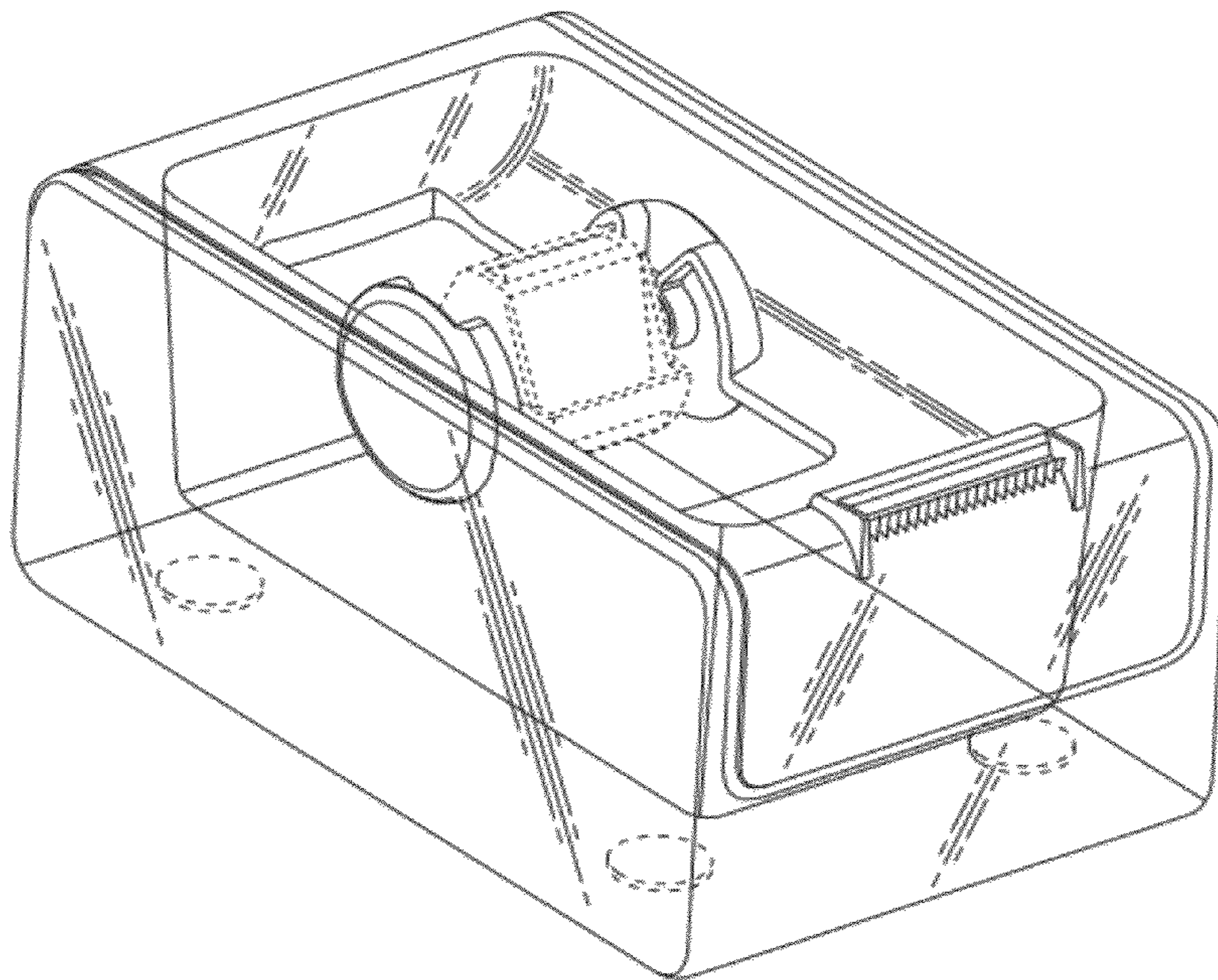


Fig. 7