



US00D671990S

(12) **United States Design Patent**
Kugimiya et al.

(10) **Patent No.:** **US D671,990 S**
(45) **Date of Patent:** **** Dec. 4, 2012**

(54) **TAPE DISPENSER**

(75) Inventors: **Michitomo Kugimiya**, Yokohama (JP);
Philipp H. Refior, Tokyo (JP)

(73) Assignee: **3M Innovative Properties Company**,
St. Paul, MN (US)

(**) Term: **14 Years**

(21) Appl. No.: **29/404,534**

(22) Filed: **Oct. 21, 2011**

(51) **LOC (9) Cl.** **19-02**

(52) **U.S. Cl.** **D19/69**

(58) **Field of Classification Search** D19/70,
D19/69, 36, 68; 242/588.6, 588.2; 225/77,
225/6, 56, 39, 26, 25, 19, 11; 206/411; 156/577,
156/527, 523
See application file for complete search history.

(56) **References Cited**

U.S. PATENT DOCUMENTS

D161,072 S *	11/1950	White	D19/69
3,102,671 A *	9/1963	Gershen	225/43
3,127,078 A *	3/1964	Dubnick	225/33
D300,750 S *	4/1989	Mead	D19/67
D379,048 S *	5/1997	Ros et al.	D6/634
D415,528 S *	10/1999	Mandar	D19/69
D416,942 S *	11/1999	Tsung	D19/75
D417,237 S *	11/1999	Packard et al.	D19/69
D492,356 S *	6/2004	Milliorn et al.	D19/69
D630,252 S *	1/2011	Abulaf	D19/69
D648,186 S *	11/2011	Pourian et al.	D7/629

FOREIGN PATENT DOCUMENTS

JP	1-76850	5/1989
JP	2-124968	10/1990
JP	3-12852	2/1991
JP	2006-232461	9/2006
JP	3129973	2/2007

* cited by examiner

Primary Examiner — Austin Murphy

(74) *Attorney, Agent, or Firm* — Trisha D. Adamson; Irina Hass

(57) **CLAIM**

The ornamental design for a tape dispenser, as shown and described.

DESCRIPTION

FIG. 1 is a perspective view showing the new design for a tape dispenser;

FIG. 2 is a front view thereof;

FIG. 3 is a right side view thereof;

FIG. 4 is a rear view thereof;

FIG. 5 is a left side view thereof;

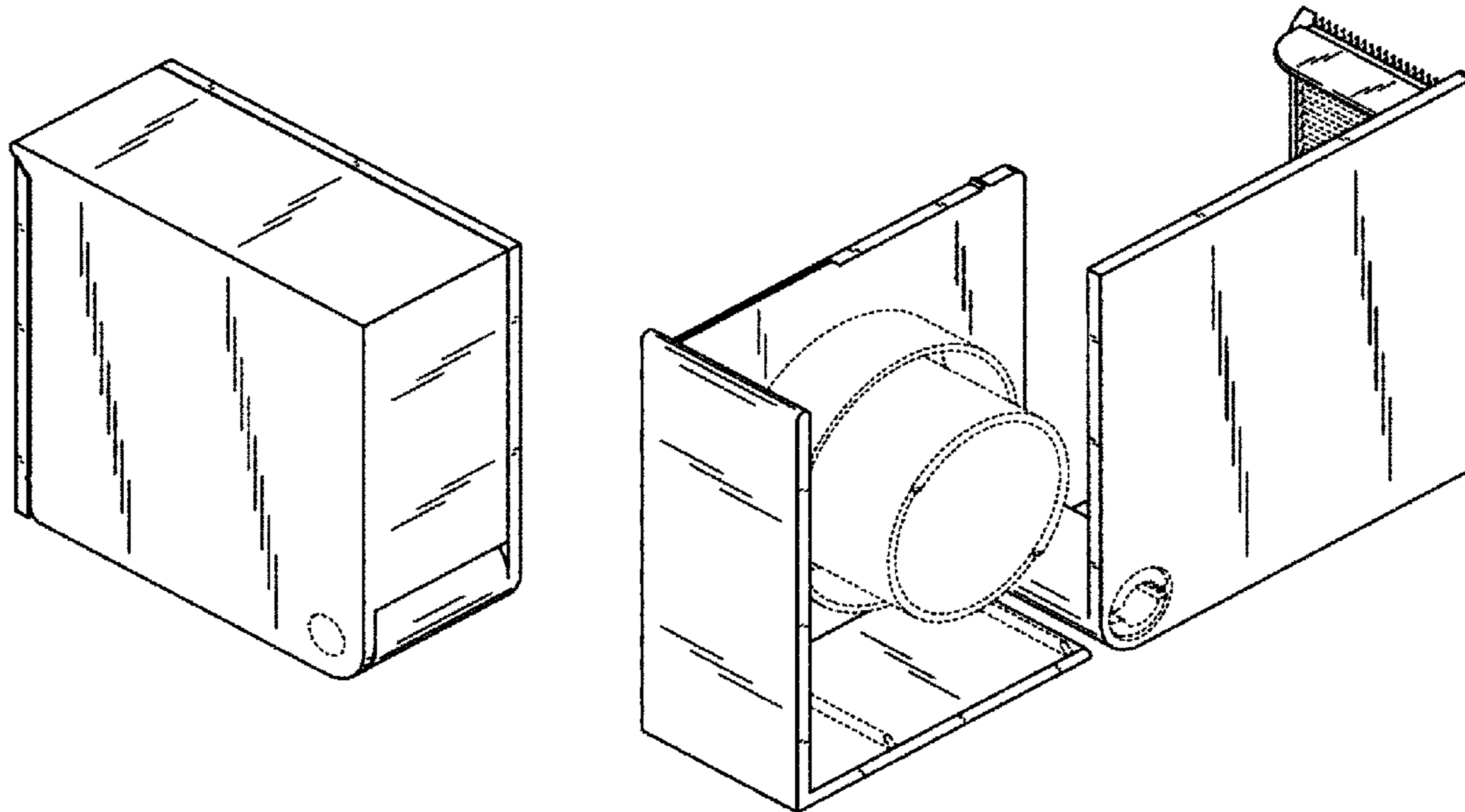
FIG. 6 is a top view thereof;

FIG. 7 is a bottom view thereof; and,

FIG. 8 is a perspective view thereof in an open position.

The broken lines in the drawings are shown for illustrative purposes only and form no part of the claimed design. In addition, the surface shading illustrated in the drawings is provided merely to highlight the contour of the design; it is not intended to be illustrative of texture or gloss.

1 Claim, 3 Drawing Sheets



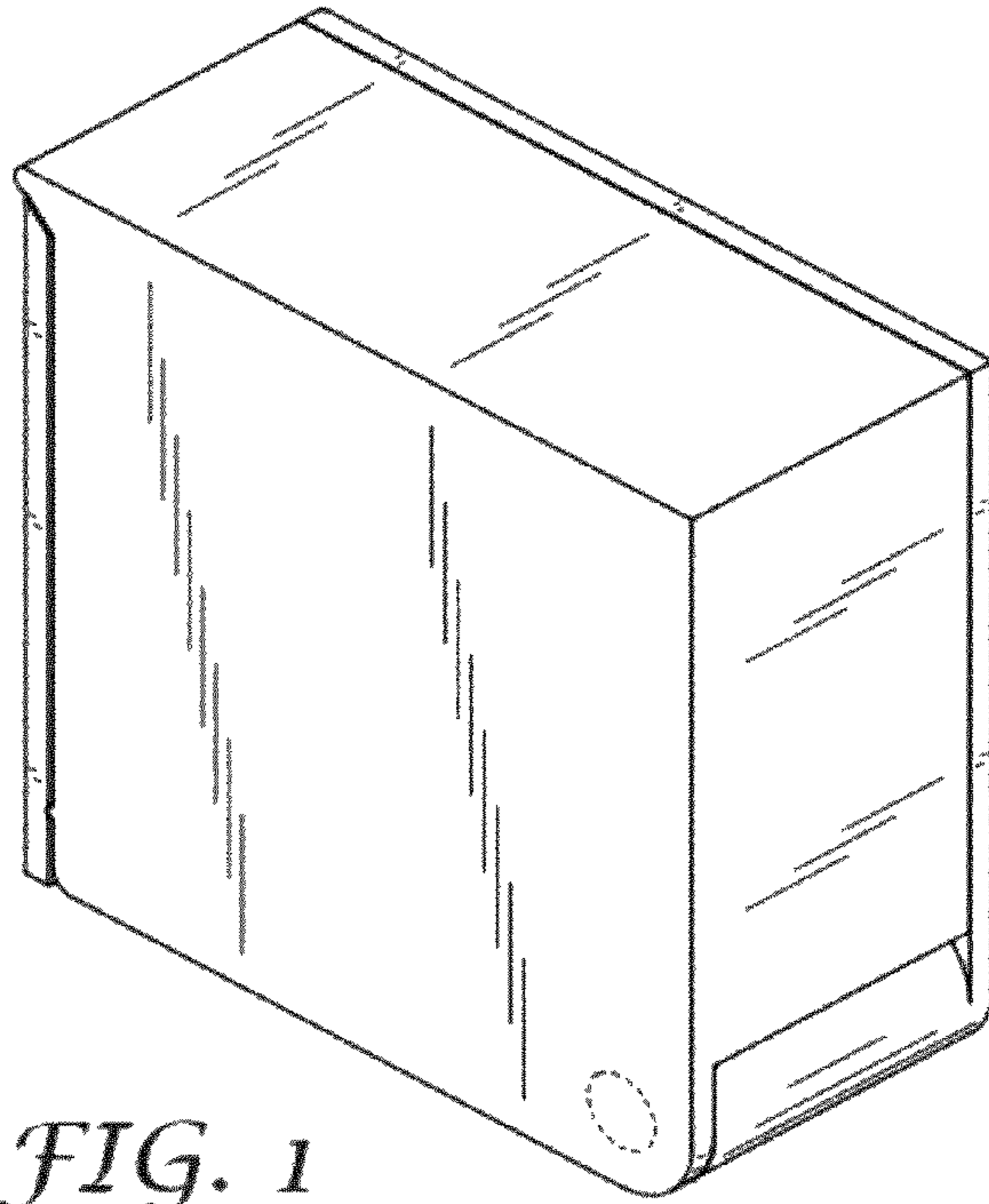


FIG. 1

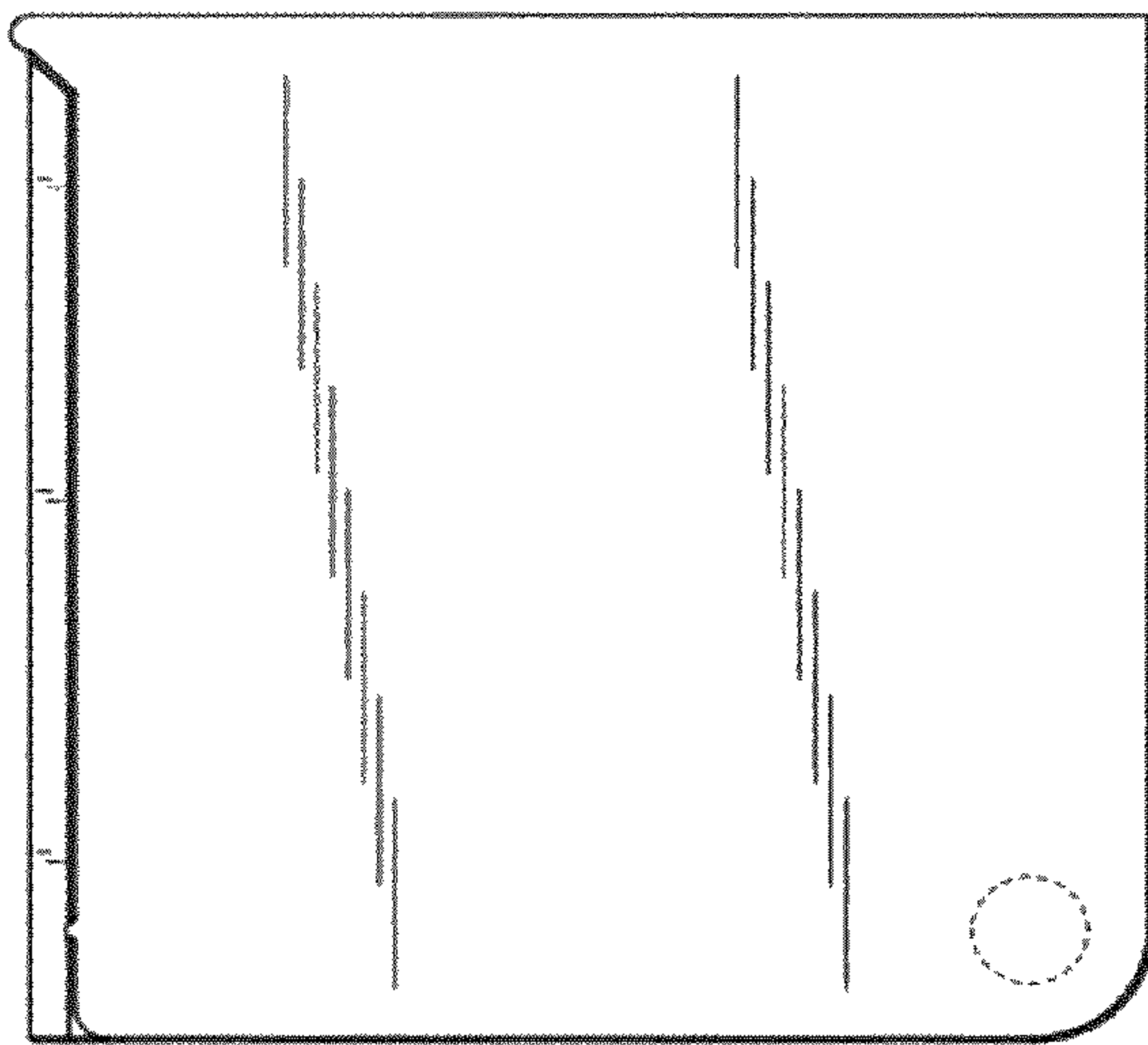


FIG. 2

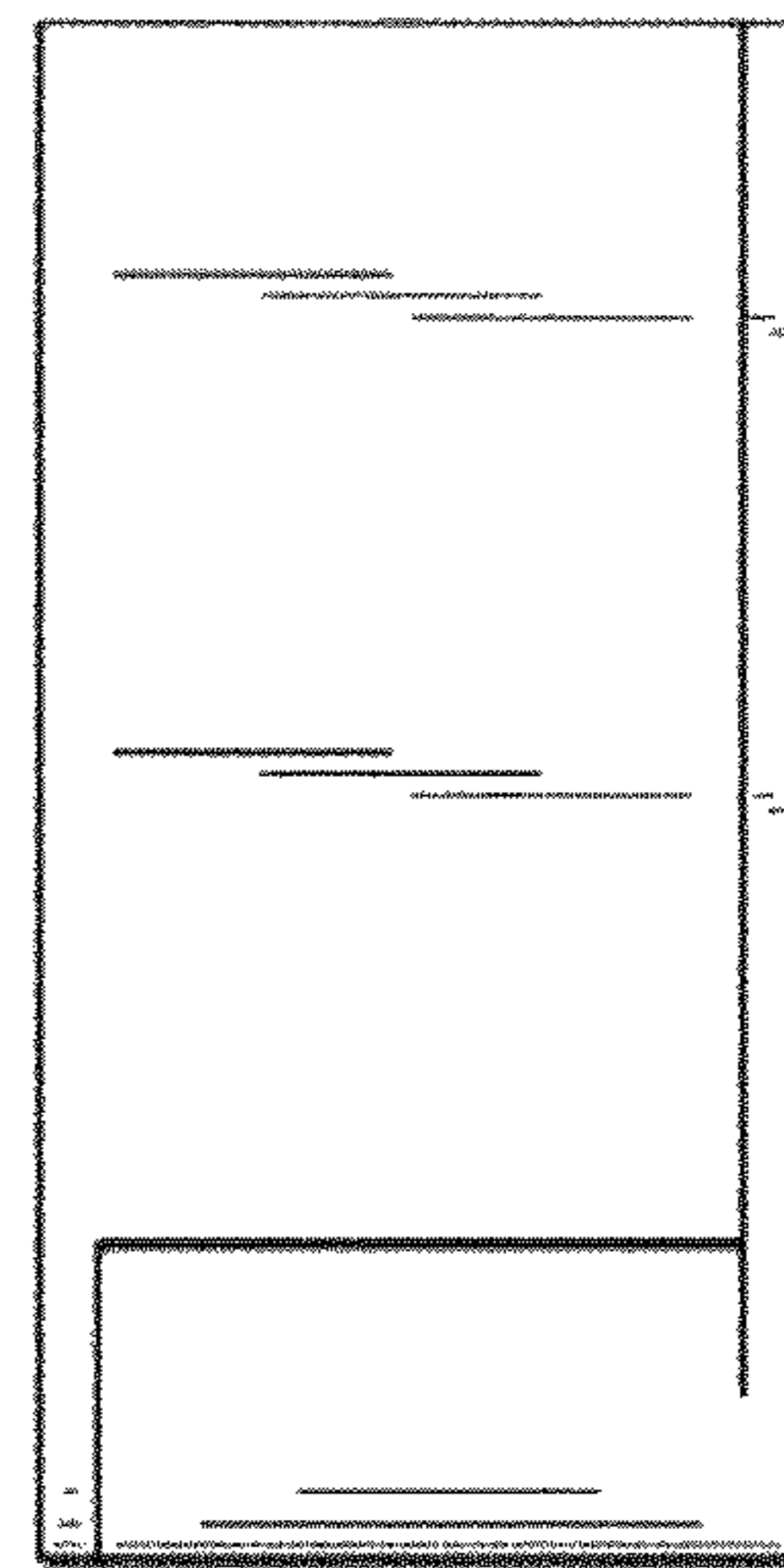


FIG. 3

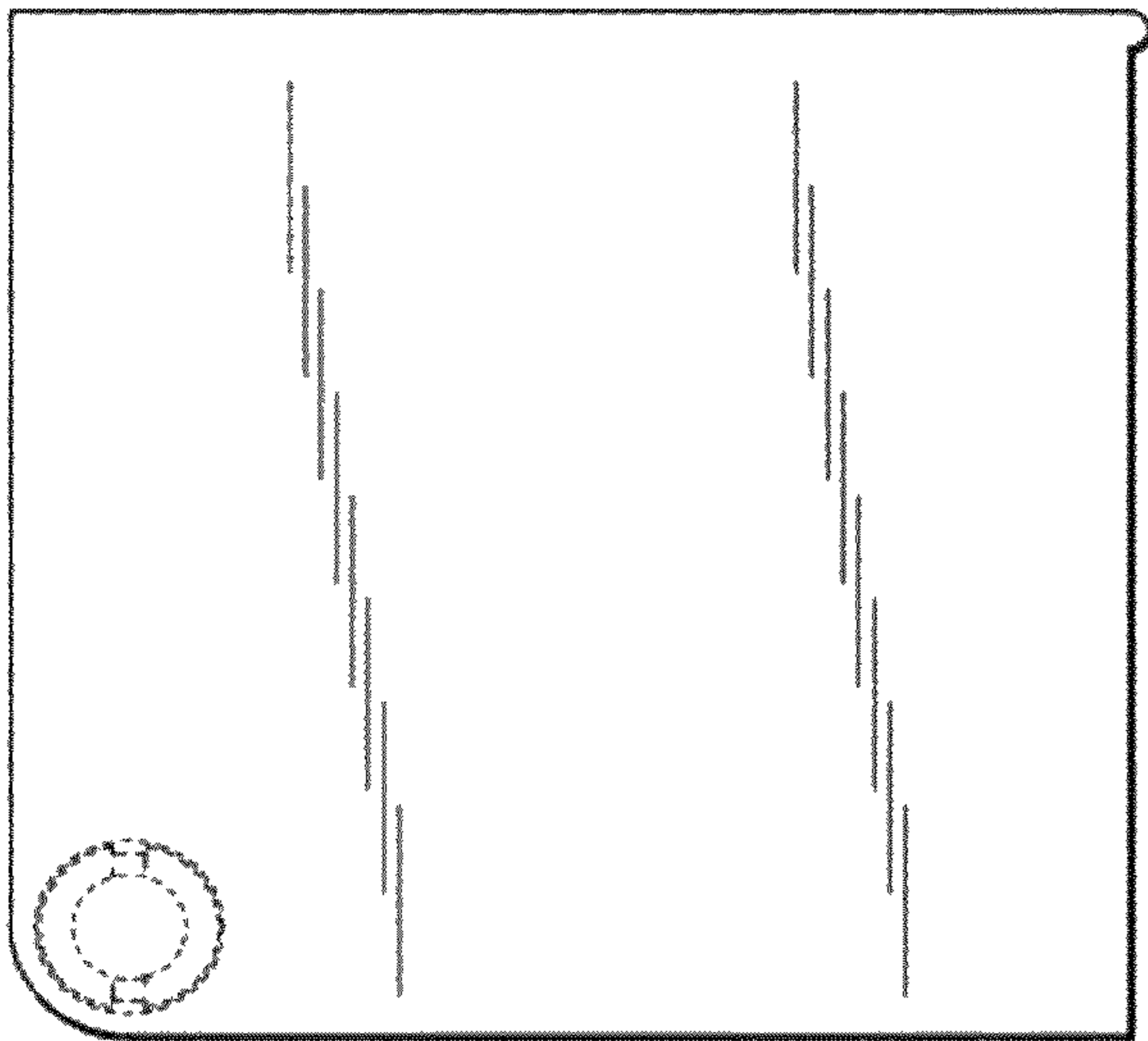


FIG. 4

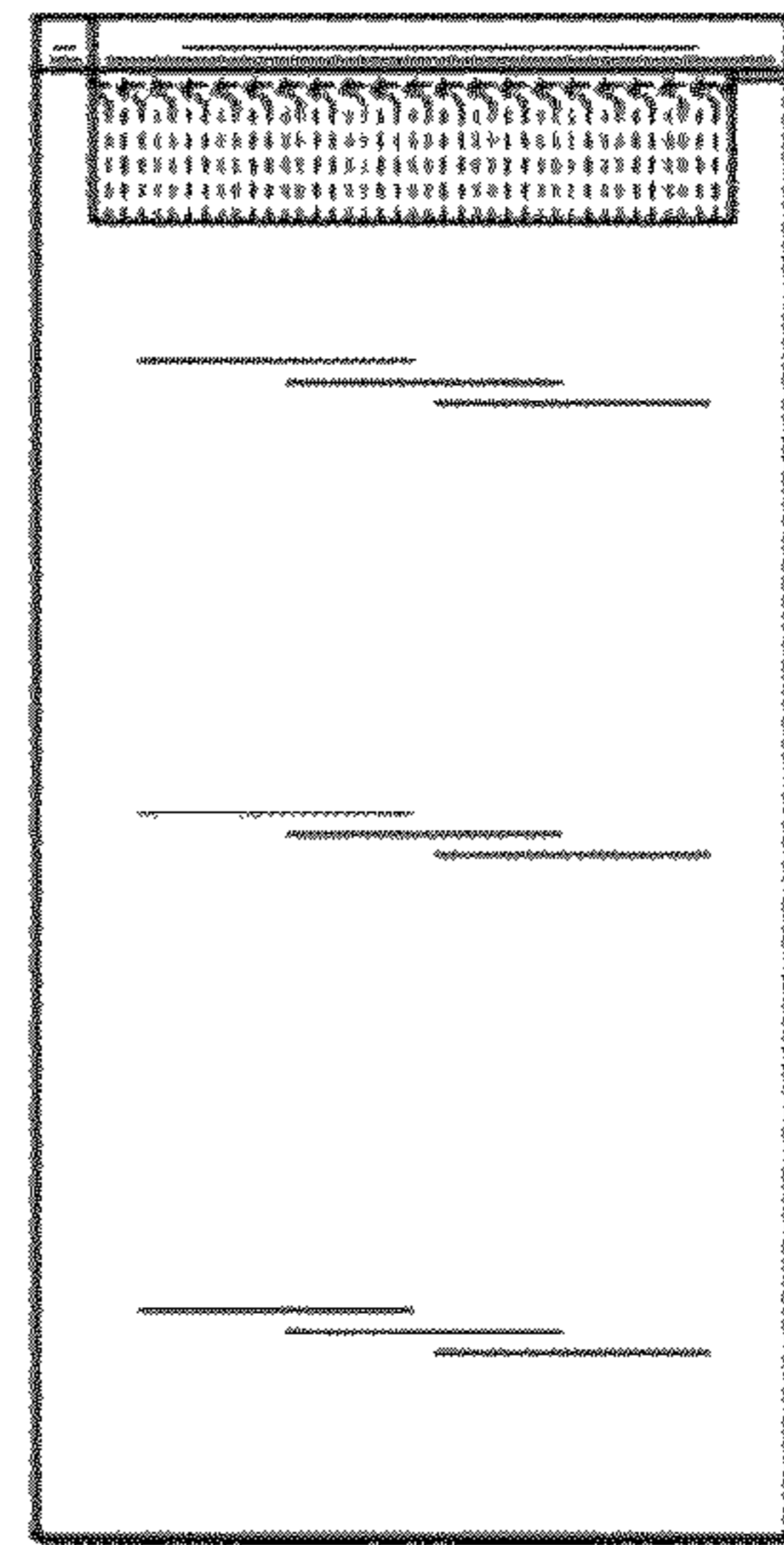


FIG. 5

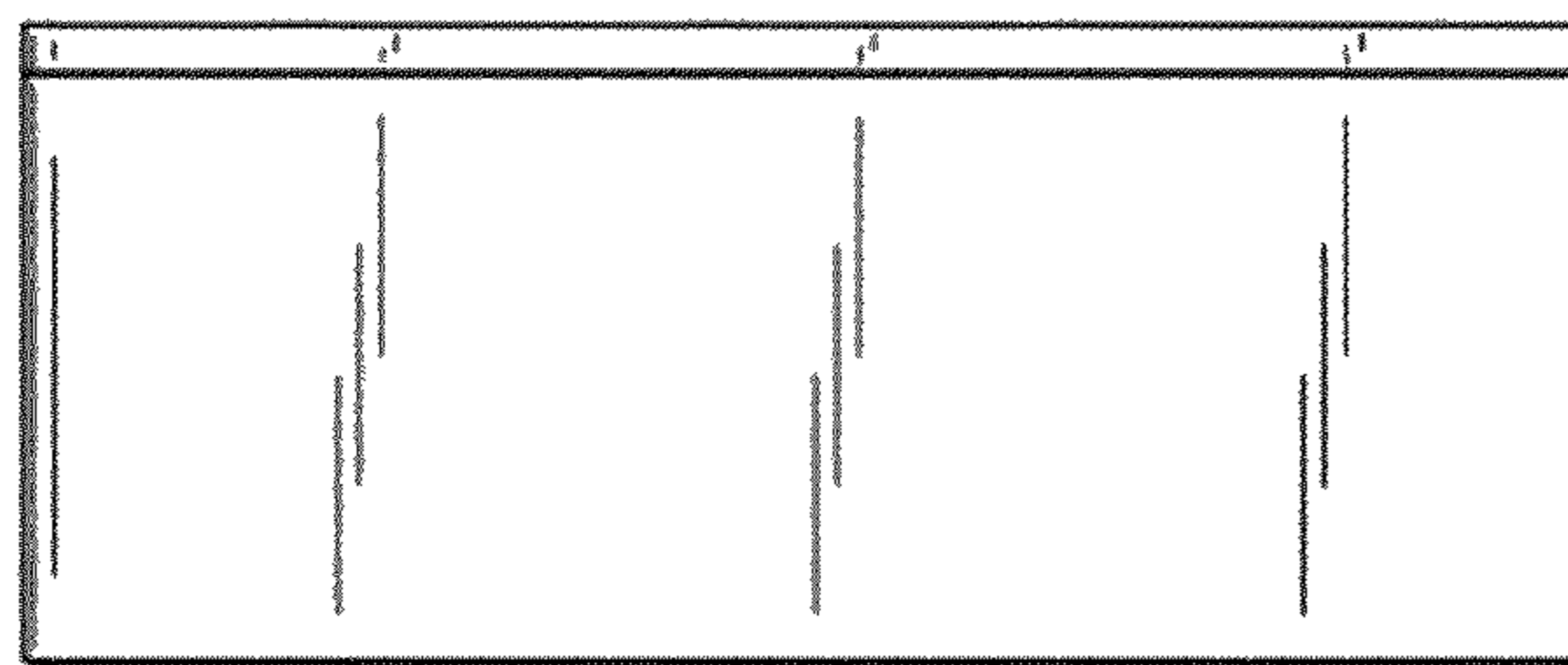


FIG. 6

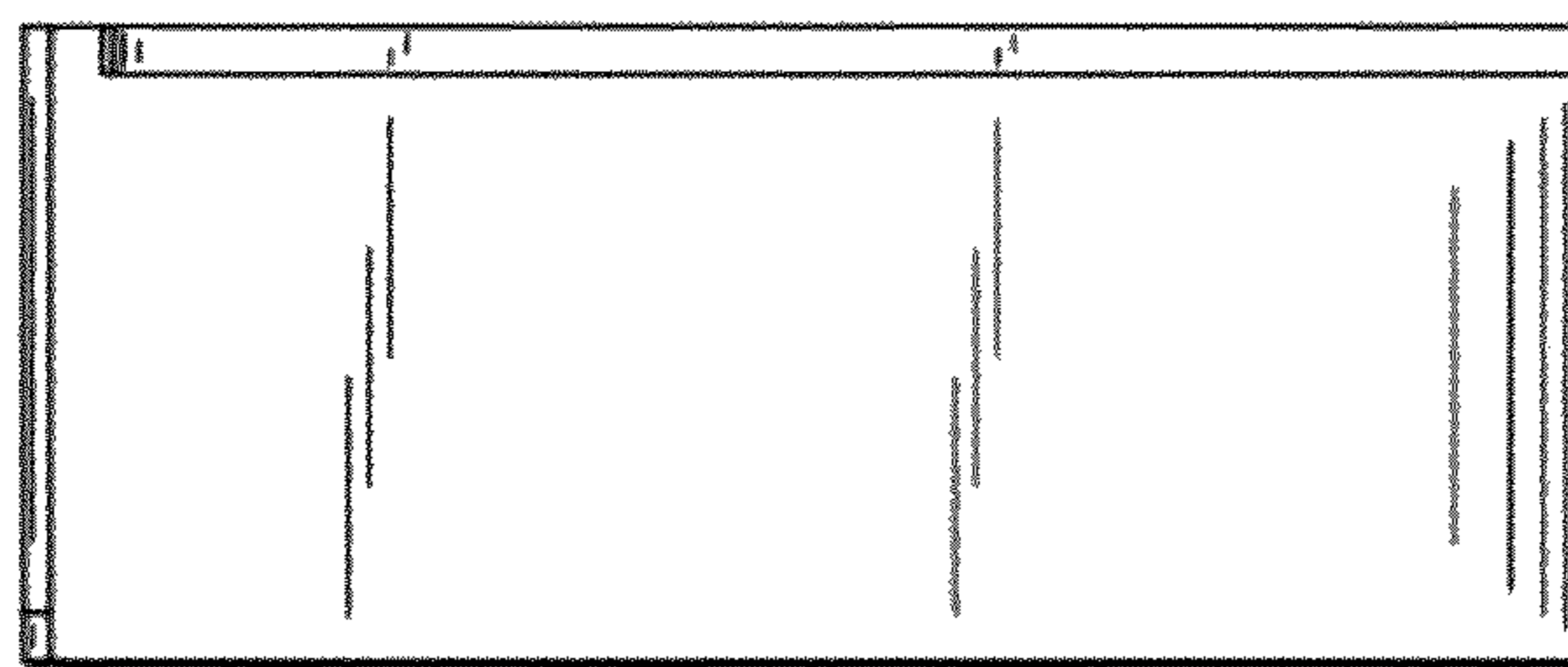


FIG. 7

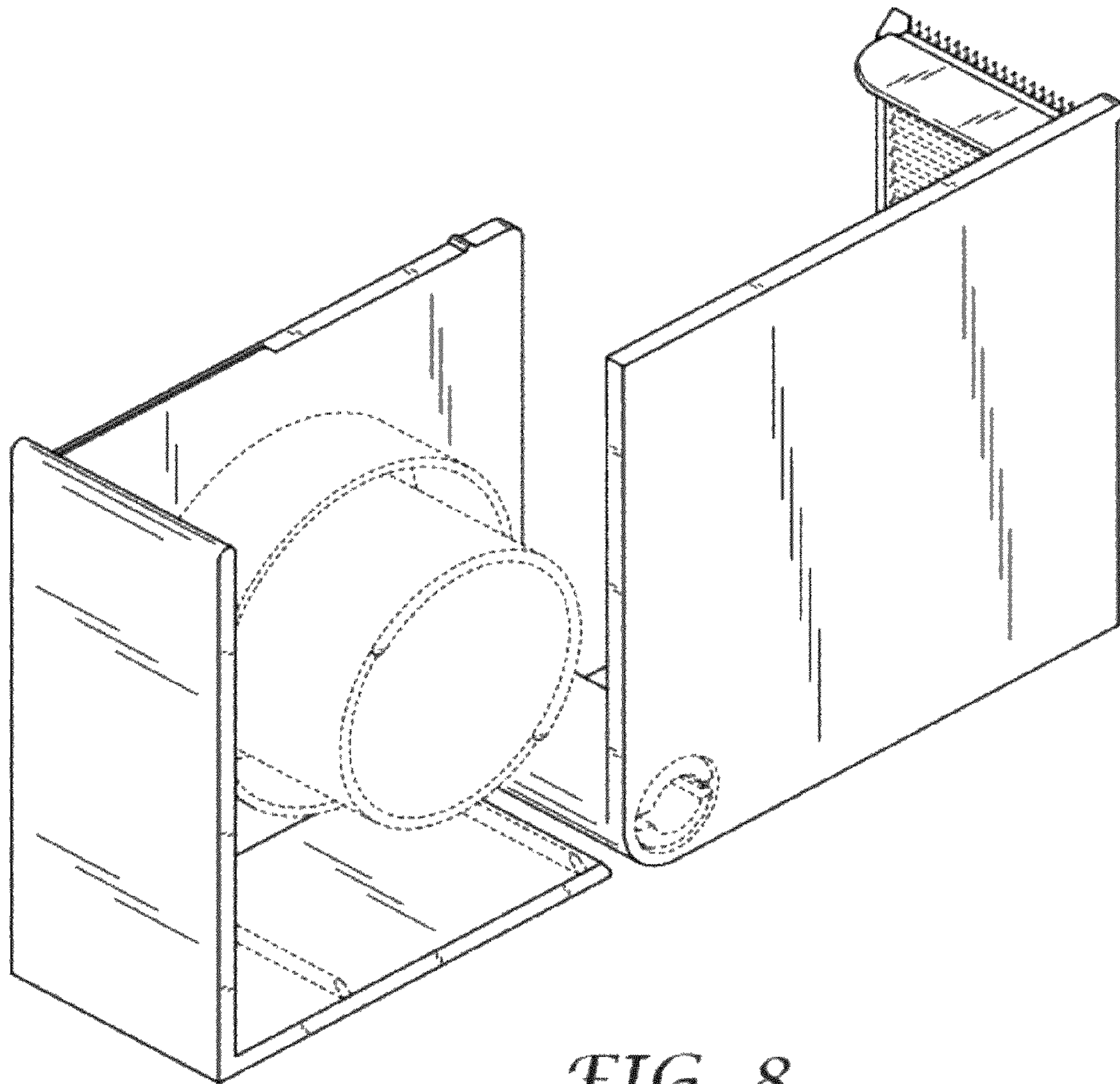


FIG. 8