



US00D671989S

(12) **United States Design Patent**
Refior

(10) **Patent No.:** **US D671,989 S**
(45) **Date of Patent:** **** Dec. 4, 2012**

- (54) **TAPE DISPENSER**
- (75) Inventor: **Philipp H. Refior**, Tokyo (JP)
- (73) Assignee: **3M Innovative Properties Company**,
St. Paul, MN (US)
- (**) Term: **14 Years**
- (21) Appl. No.: **29/403,610**
- (22) Filed: **Oct. 7, 2011**
- (51) **LOC (9) Cl.** **08-02**
- (52) **U.S. Cl.** **D19/69**
- (58) **Field of Classification Search** D19/36,
D19/70, 69, 68; D13/133, 146; 242/588.6,
242/588.3, 588.2; 225/77, 6, 56, 69, 26,
225/25, 19, 11; 206/411; 156/577, 527,
156/523

See application file for complete search history.

(56) **References Cited**

U.S. PATENT DOCUMENTS

D359,511 S *	6/1995	Nash et al.	D19/69
D404,430 S *	1/1999	Shen	D19/69
D486,521 S *	2/2004	Crawford et al.	D19/69
D504,155 S *	4/2005	Crawford et al.	D19/69
D568,399 S *	5/2008	Yu Chen	D19/69
D597,137 S *	7/2009	Chiu	D19/69
D617,380 S *	6/2010	Chiu	D19/69
D619,173 S *	7/2010	Chiu	D19/69
D647,566 S *	10/2011	Yuan	D19/69
2006/0289594 A1 *	12/2006	Yu Chen	225/56

FOREIGN PATENT DOCUMENTS

JP	61-11161	4/1986
JP	61-68067	5/1986

JP	5-33489	8/1993
JP	D-1277195	7/2006
JP	D-1303693	6/2007
JP	2008-081220	4/2008
JP	2008-081221	4/2008
JP	2009-096635	5/2009
JP	D-1359104	5/2009
JP	2010-111515	5/2010
JP	2010-143768	7/2010
JP	2011-184194	9/2011
JP	2012-056656	3/2012

* cited by examiner

Primary Examiner — Austin Murphy

(74) *Attorney, Agent, or Firm* — Lisa P. Fulton; Irina Hass

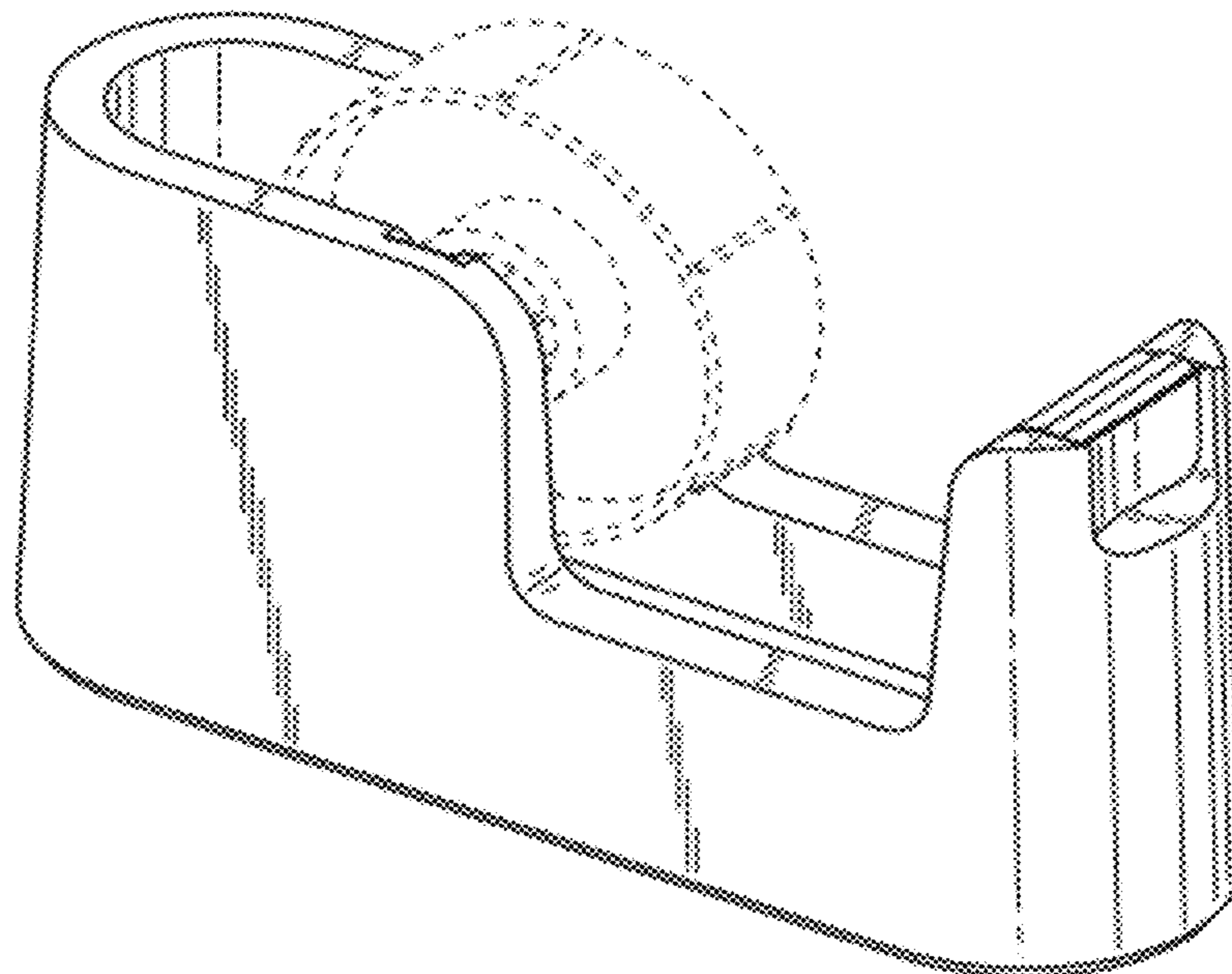
(57) **CLAIM**

The ornamental design for a tape dispenser, as shown and described.

DESCRIPTION

FIG. 1 is a perspective view of a tape dispenser showing the new design;
 FIG. 2 is a side view thereof, the opposite side being a mirror image;
 FIG. 3 is a top view thereof;
 FIG. 4 is a bottom view thereof;
 FIG. 5 is a front view thereof;
 FIG. 6 is a rear view thereof; and,
 FIG. 7 is an alternate view of FIG. 1 showing the front and side views as transparent for the purpose of clearly depicting the dispensing mechanism and inner contours of the tape dispenser. This view is not an additional embodiment.
 The broken line showing of a roll of tape is for illustrative purposes only and forms no part of the claimed design.

1 Claim, 2 Drawing Sheets



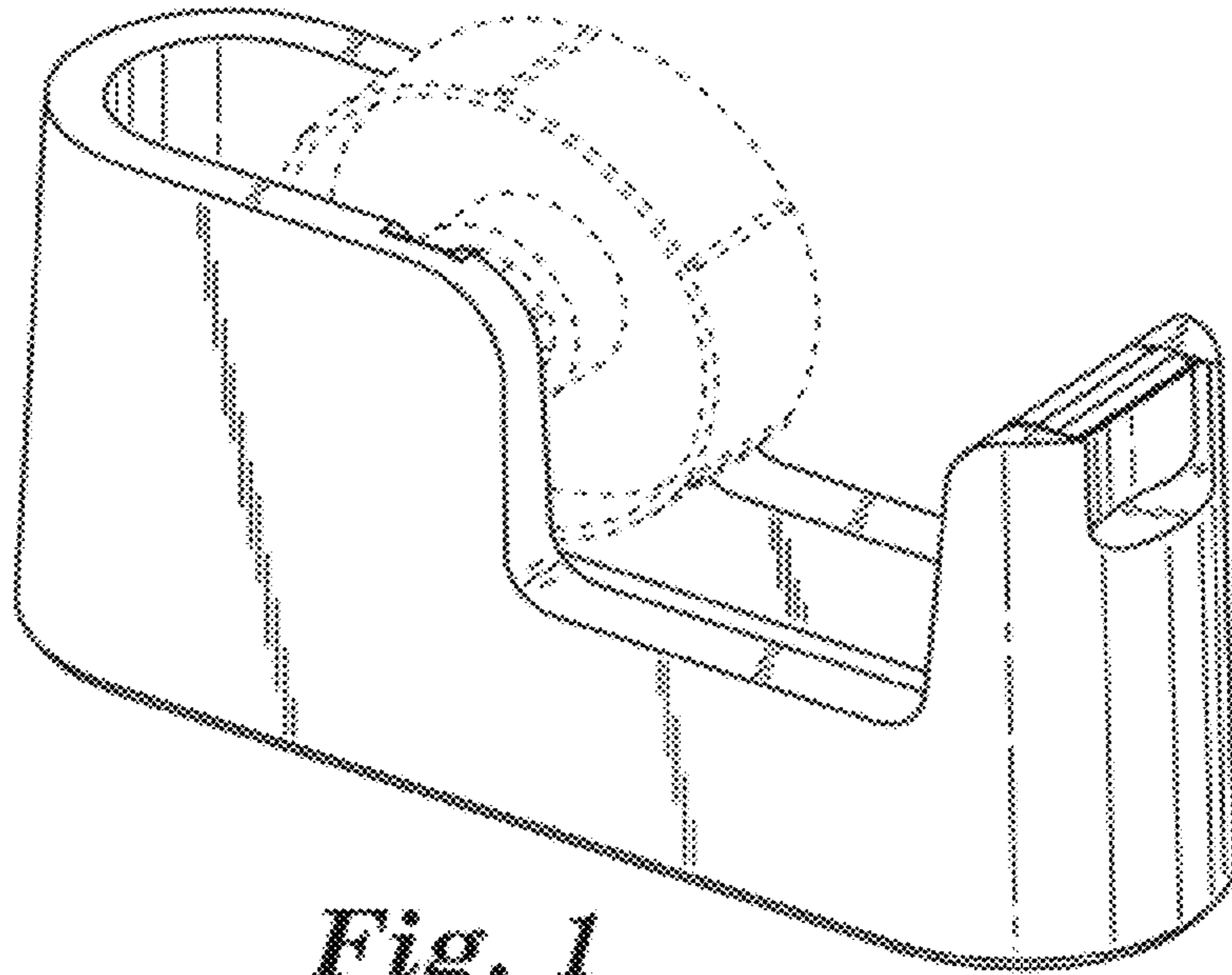


Fig. 1

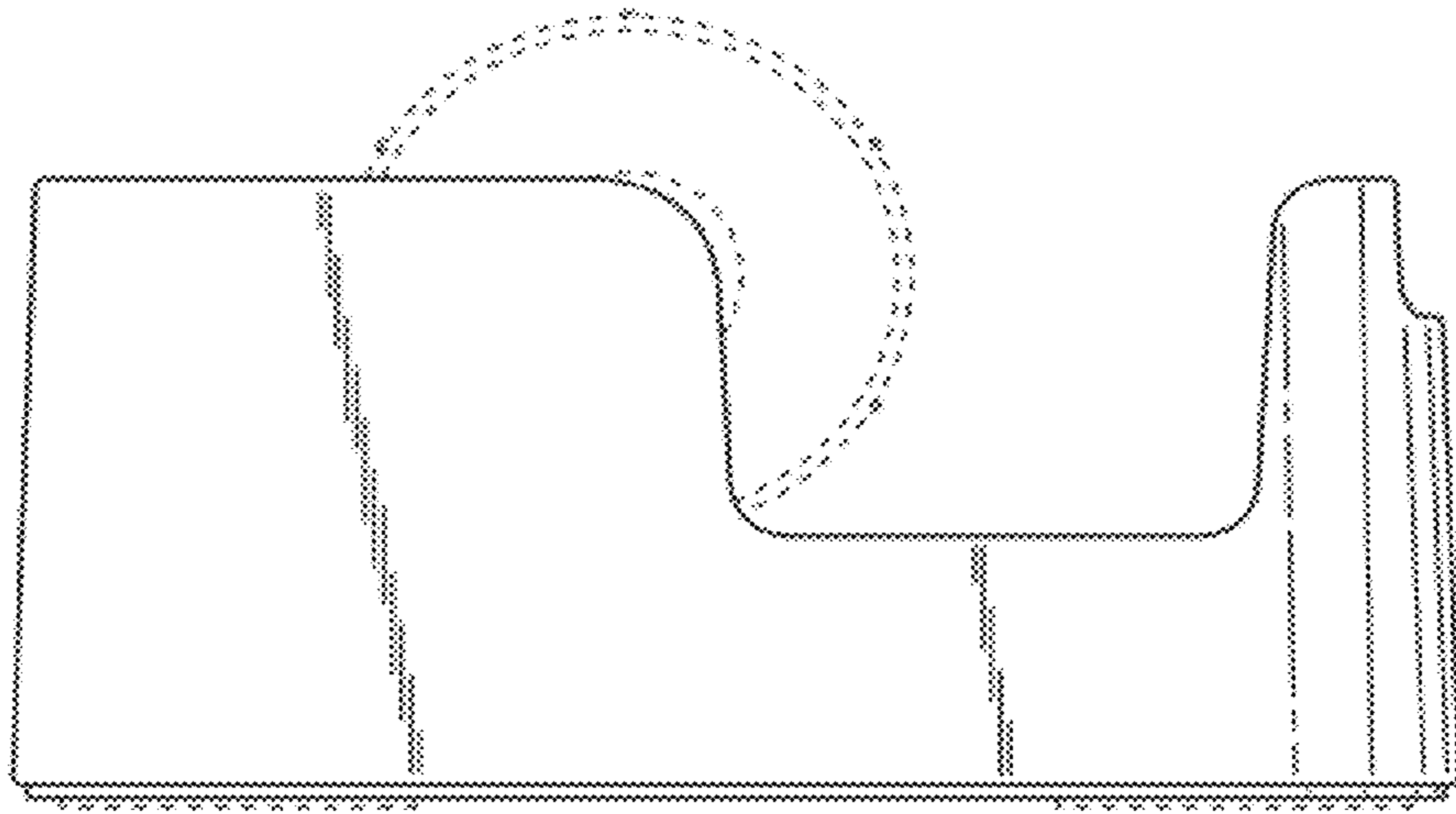


Fig. 2

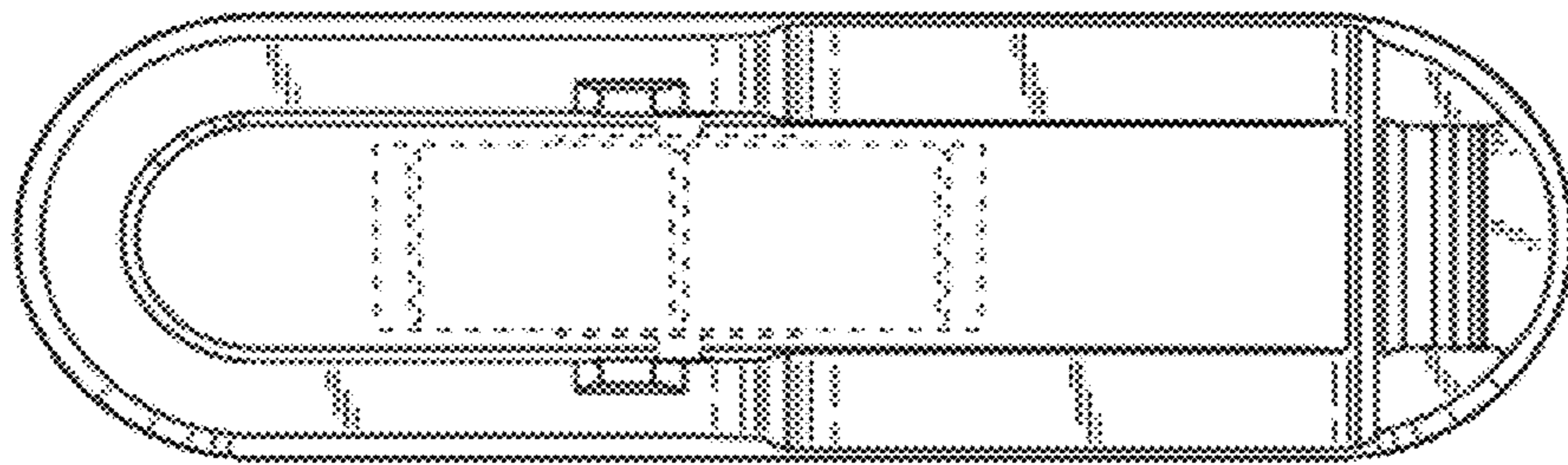


Fig. 3

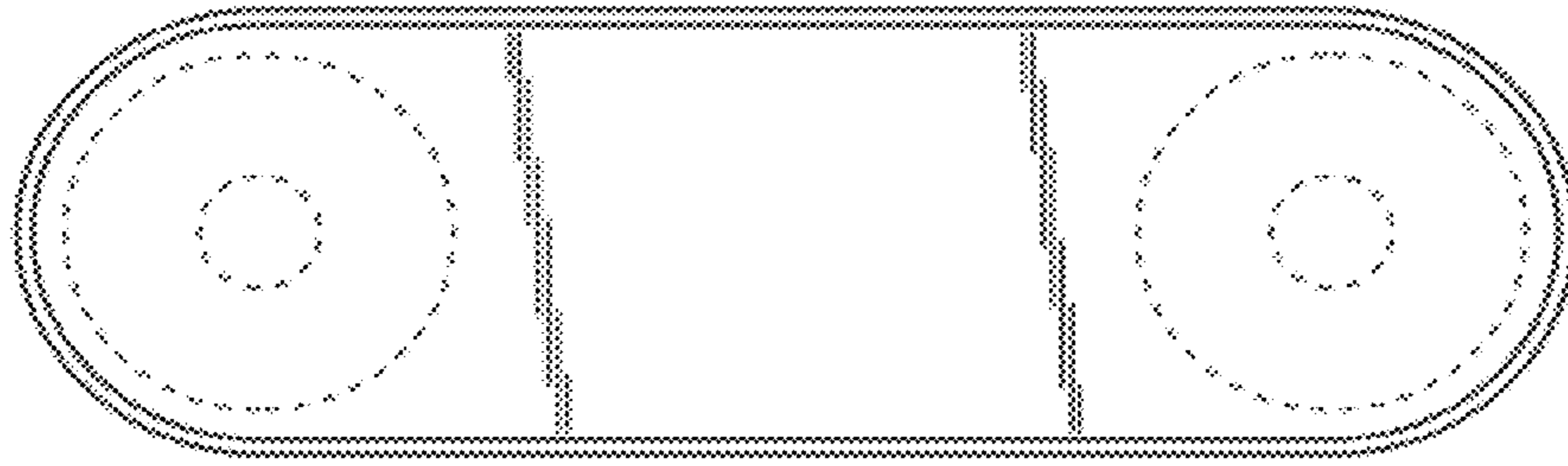


Fig. 4

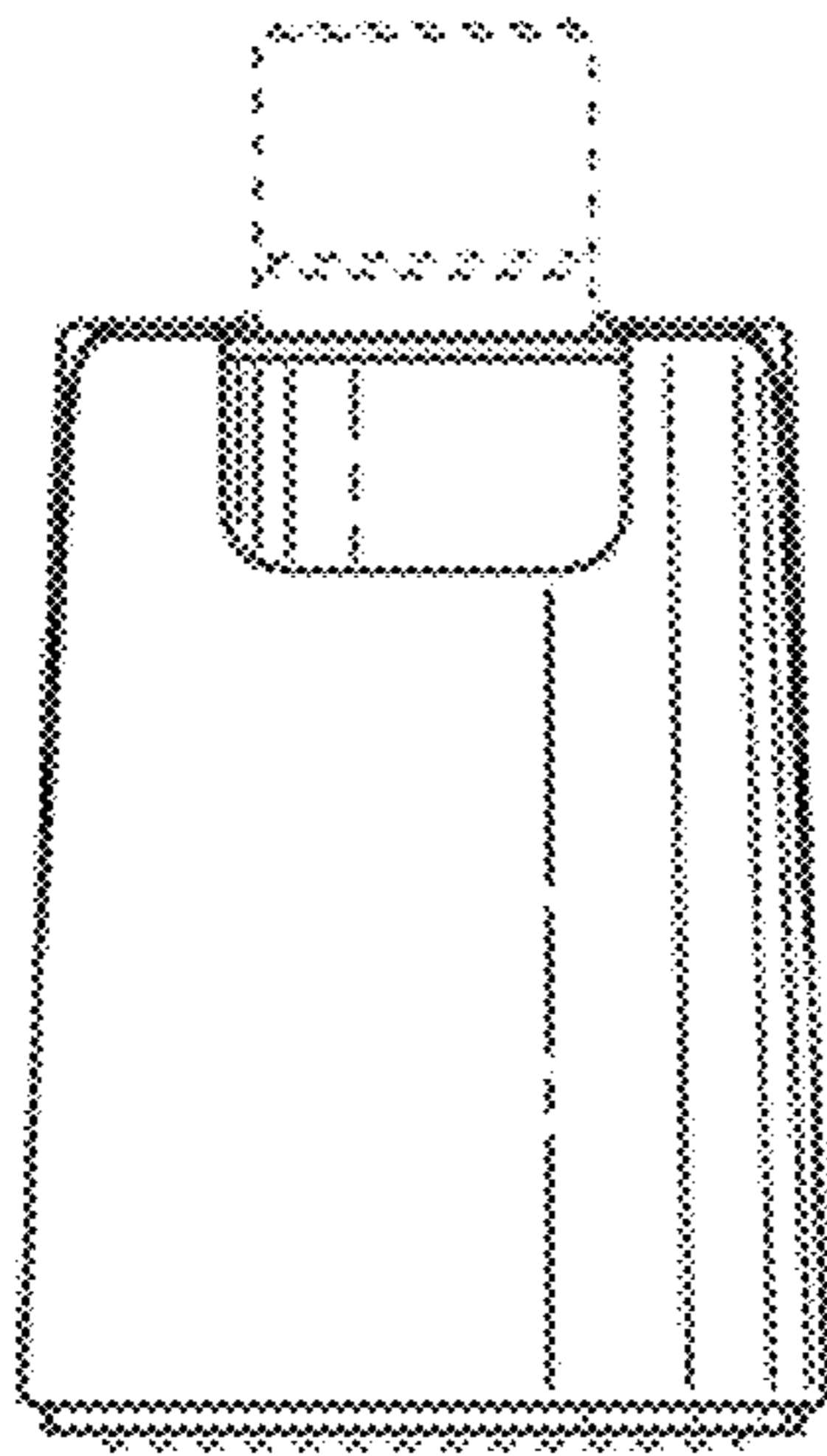


Fig. 5

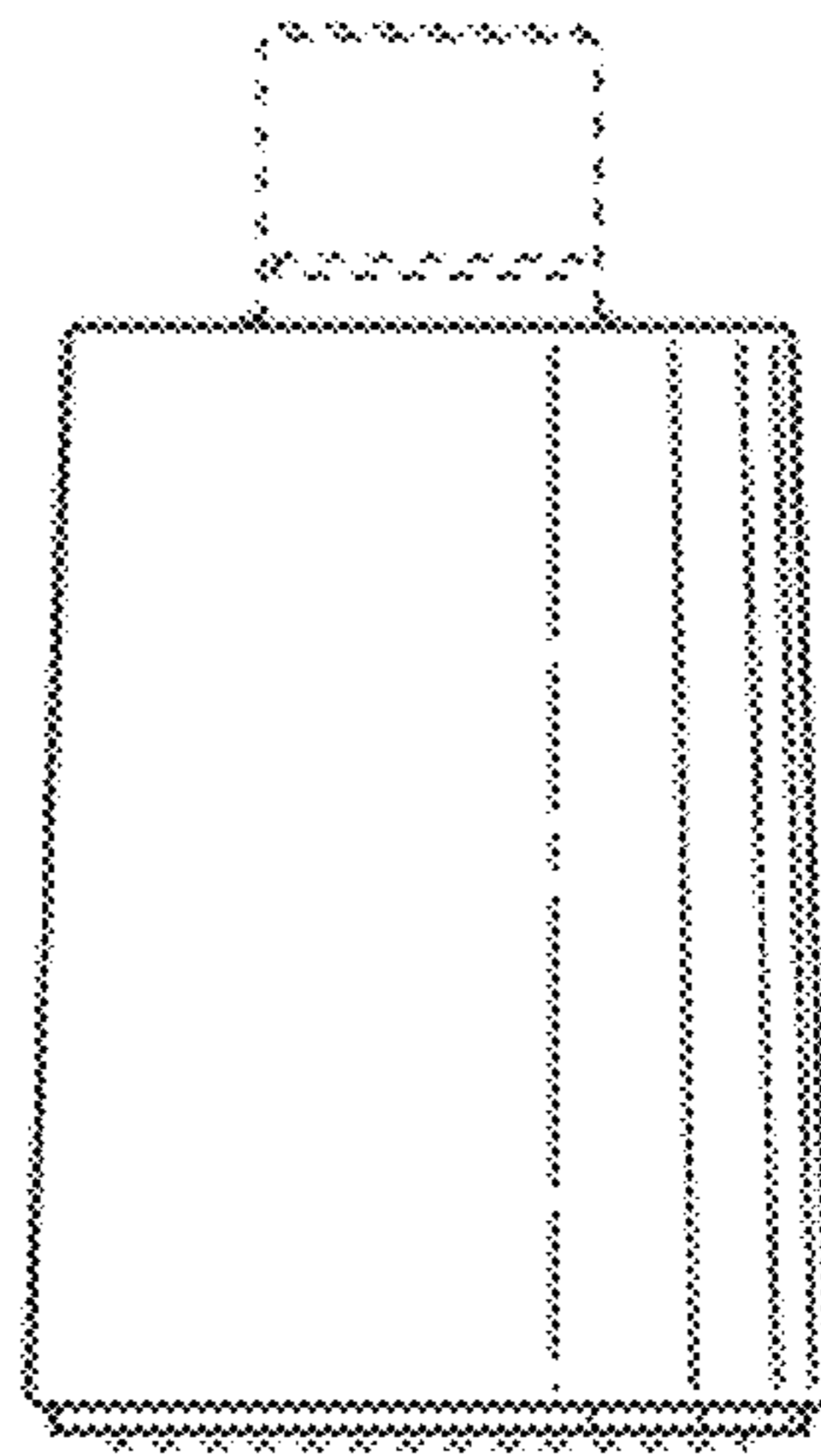


Fig. 6

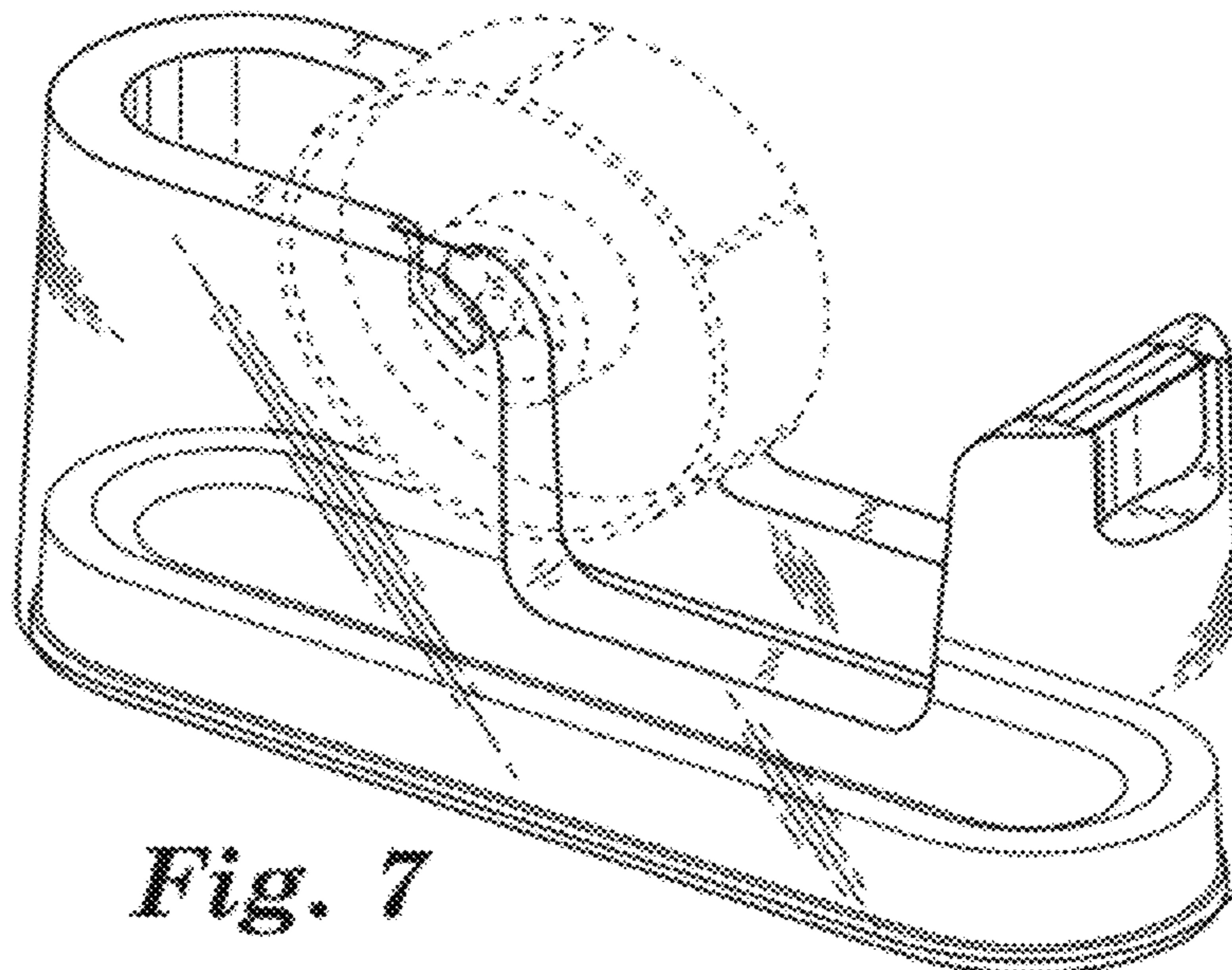


Fig. 7