

US00D671986S

(12) **United States Design Patent**
Kott

(10) **Patent No.:** **US D671,986 S**

(45) **Date of Patent:** **** Dec. 4, 2012**

(54) **LABEL SHEET**

(75) Inventor: **Marla Kott**, Richmond (CA)

(73) Assignee: **Ilgen Products Ltd.**, Richmond (CA)

(**) Term: **14 Years**

(21) Appl. No.: **29/351,112**

(22) Filed: **Nov. 30, 2009**

(51) **LOC (9) Cl.** **19-01**

(52) **U.S. Cl.** **D19/1**

(58) **Field of Classification Search** D19/1-12,
D19/20-34; 40/124.01-124.15, 672, 661,
40/726, 776, 617, 633, 360, 638; 229/72,
229/92, 92.1, 300-303; 283/72, 74, 75, 103,
283/105, 106, 67, 81, 101; 206/449, 232;
D21/385; D20/10, 22, 27, 40, 42, 99; D14/435-437
See application file for complete search history.

(56) **References Cited**

U.S. PATENT DOCUMENTS

D391,991 S *	3/1998	Conner	D20/10
D448,404 S *	9/2001	Hamilton et al.	D19/1
D460,783 S *	7/2002	Haas	D19/1
D471,933 S *	3/2003	Hodsdon et al.	D20/36
D473,264 S *	4/2003	Sanford et al.	D20/27
D476,031 S *	6/2003	Hodsdon et al.	D19/2
6,726,252 B1	4/2004	Chaikel et al.		
D500,342 S *	12/2004	Stewart et al.	D20/27
D500,524 S *	1/2005	Stewart et al.	D20/27
D521,565 S *	5/2006	Stewart et al.	D20/27
D640,738 S *	6/2011	Jain et al.	D19/1
2009/0197032 A1	8/2009	Didulo et al.		

FOREIGN PATENT DOCUMENTS

WO 2009/094781 A1 8/2009

OTHER PUBLICATIONS

Imprint Plus 1" x 3" laser label sheet, Jul. 2, 2008.
Imprint Plus 2009 Product Sampler, Feb. 2009, pp. 9 & 18.

* cited by examiner

Primary Examiner — Caron D Veynar

Assistant Examiner — Abraham Bahta

(74) *Attorney, Agent, or Firm* — Oyen Wiggs, Green & Mutala LLP

(57) **CLAIM**

The ornamental design for a label sheet, as shown and described.

DESCRIPTION

FIG. 1 is a top plan view of a first embodiment of the label sheet showing my new design;

FIG. 2 is a top plan view thereof, with one of the labels removed;

FIG. 3 is a bottom plan view thereof, and a bottom plan view of the embodiments shown in FIGS. 4-10;

FIG. 4 is a top plan view of a second embodiment of the label sheet;

FIG. 5 is a top plan view of a third embodiment of the label sheet;

FIG. 6 is a top plan view of a fourth embodiment of the label sheet;

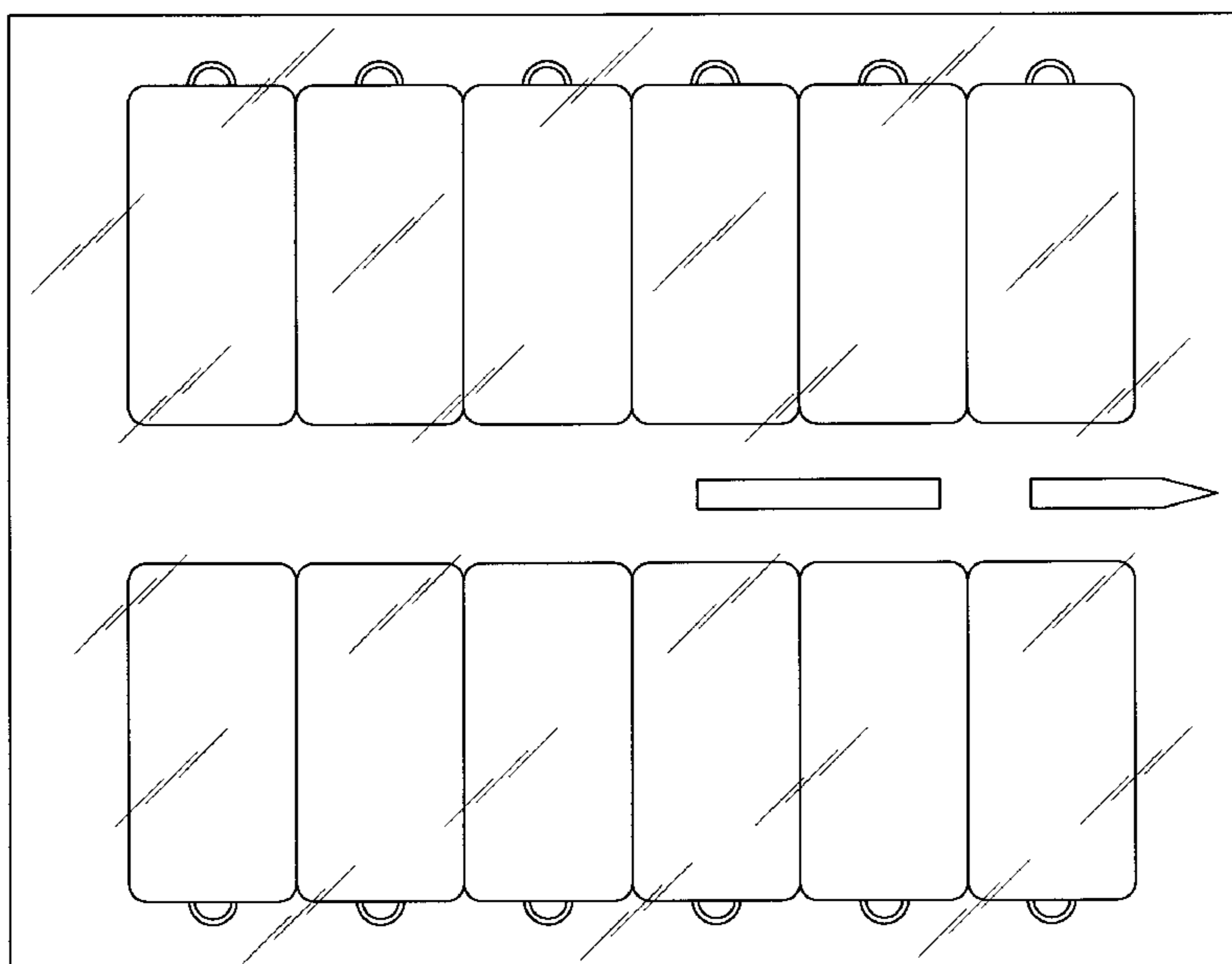
FIG. 7 is a top plan view of a fifth embodiment of the label sheet;

FIG. 8 is a top plan view of a sixth embodiment of the label sheet;

FIG. 9 is a top plan view of a seventh embodiment of the label sheet; and,

FIG. 10 is a top plan view of an eighth embodiment of the label sheet.

1 Claim, 10 Drawing Sheets



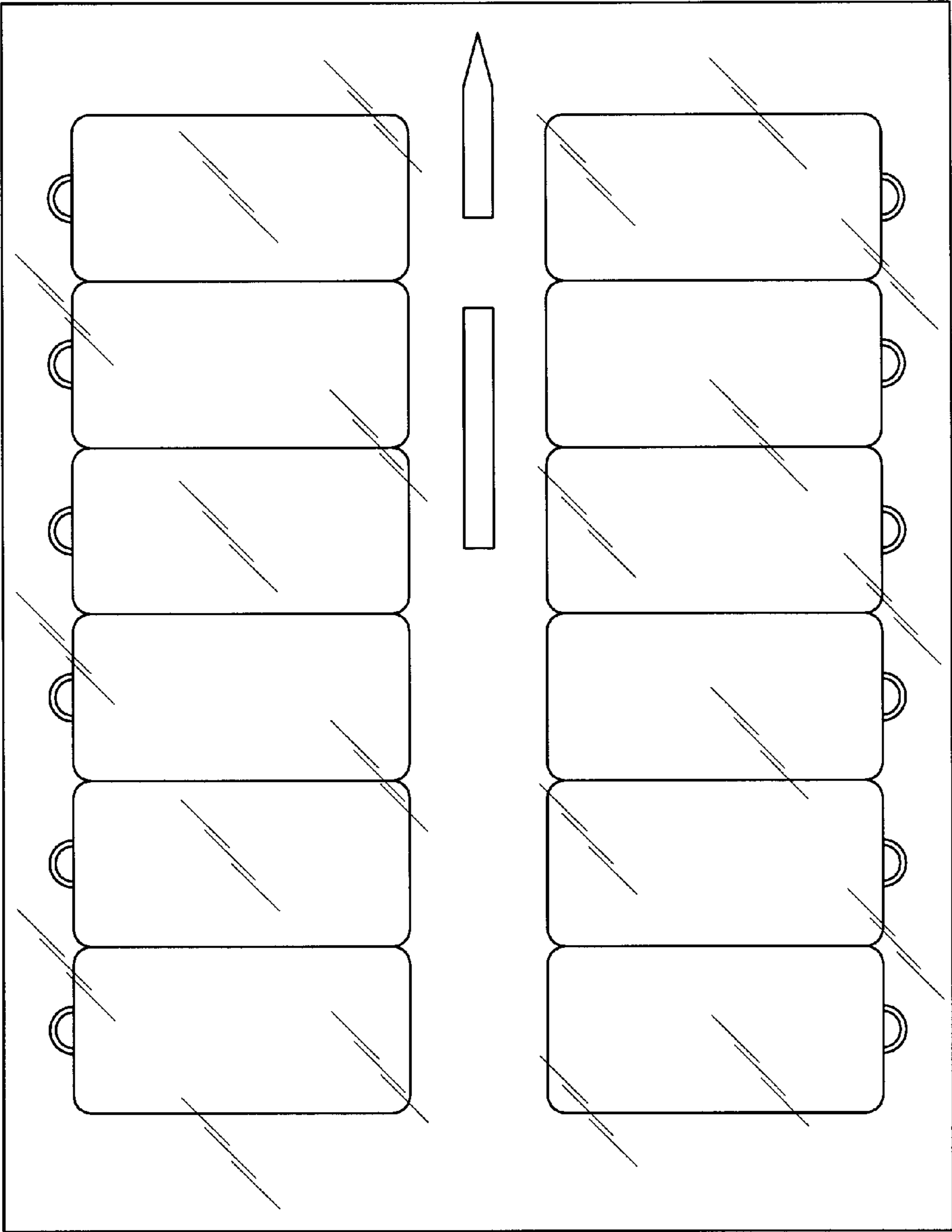


FIG. 1

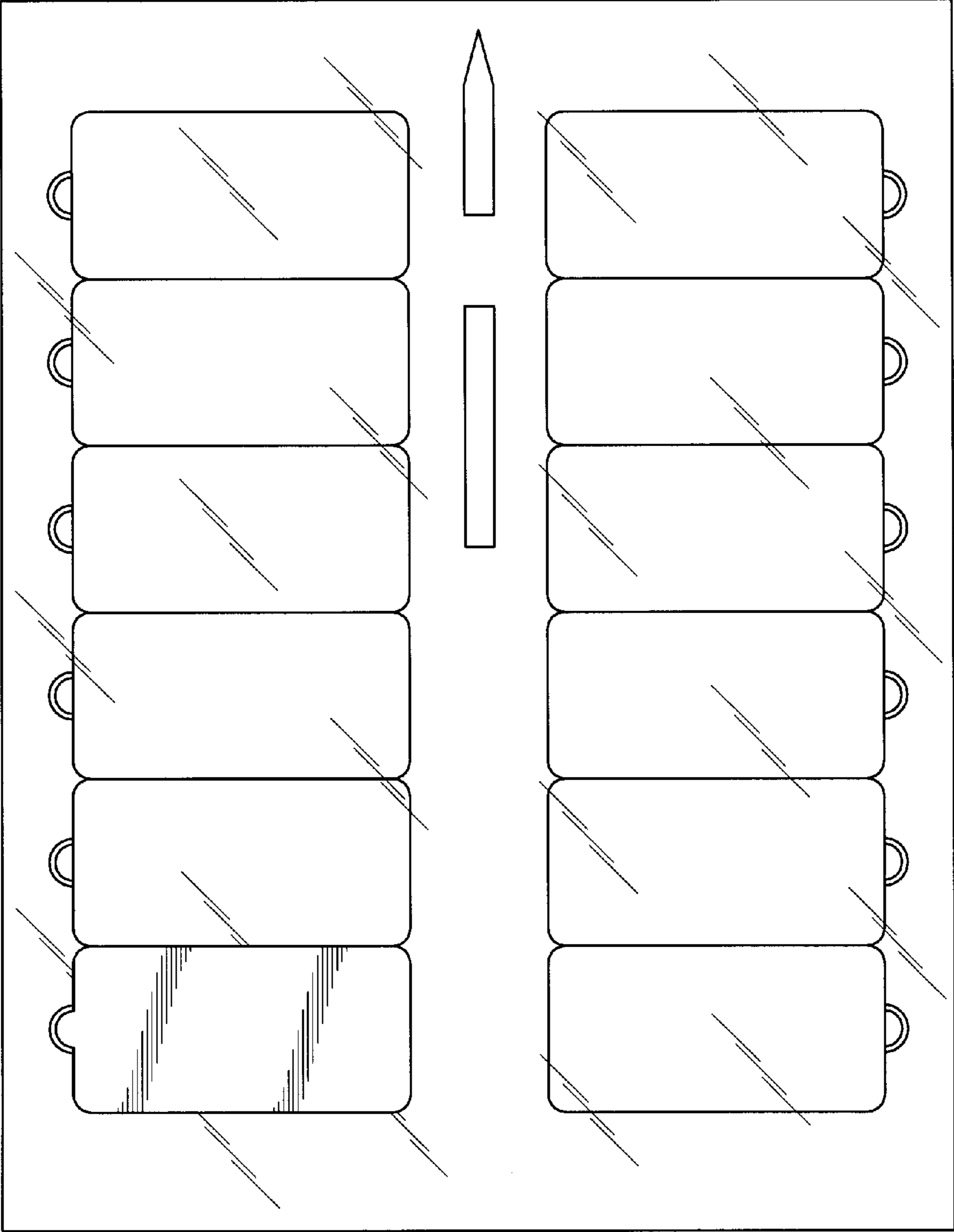


FIG. 2

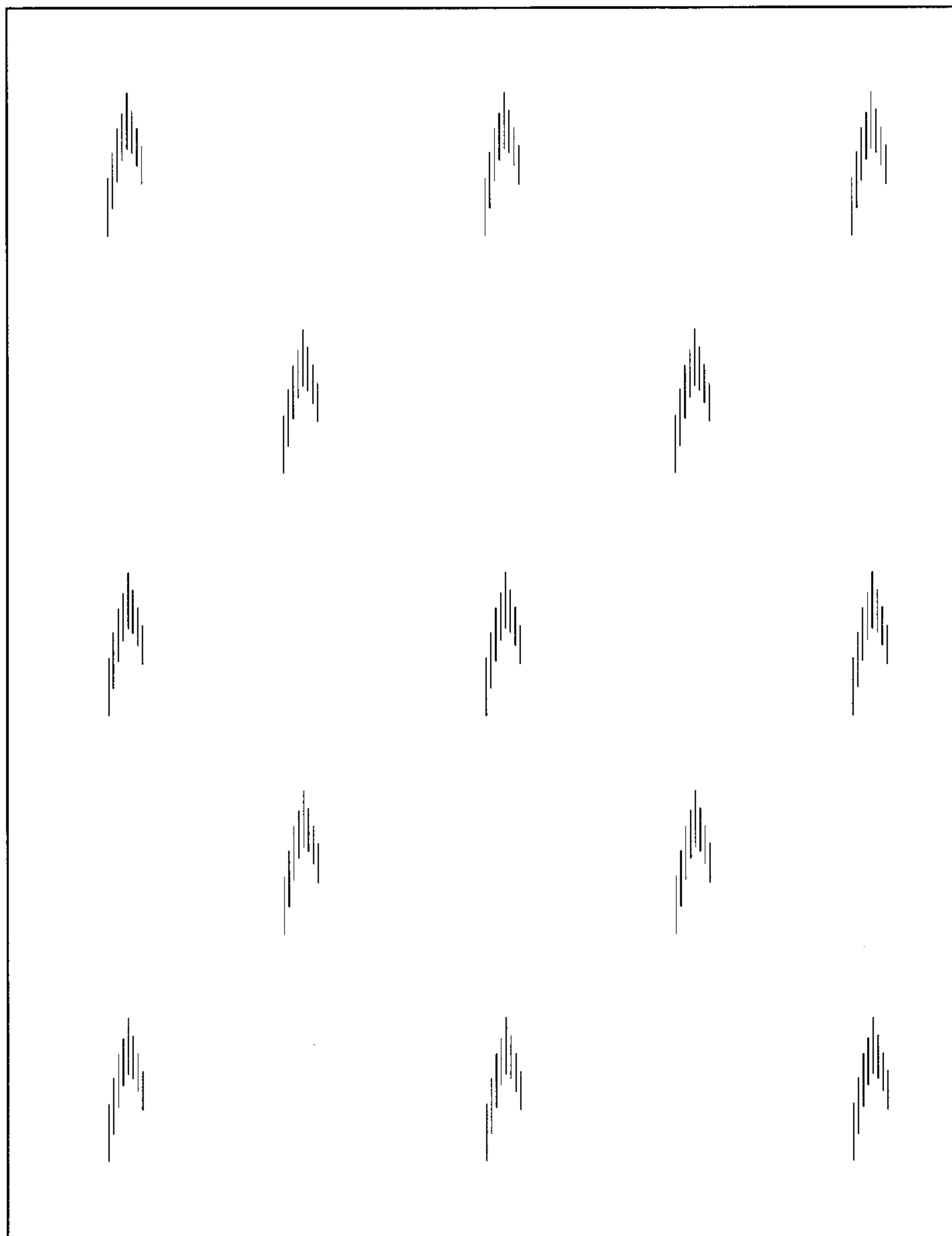


FIG. 3

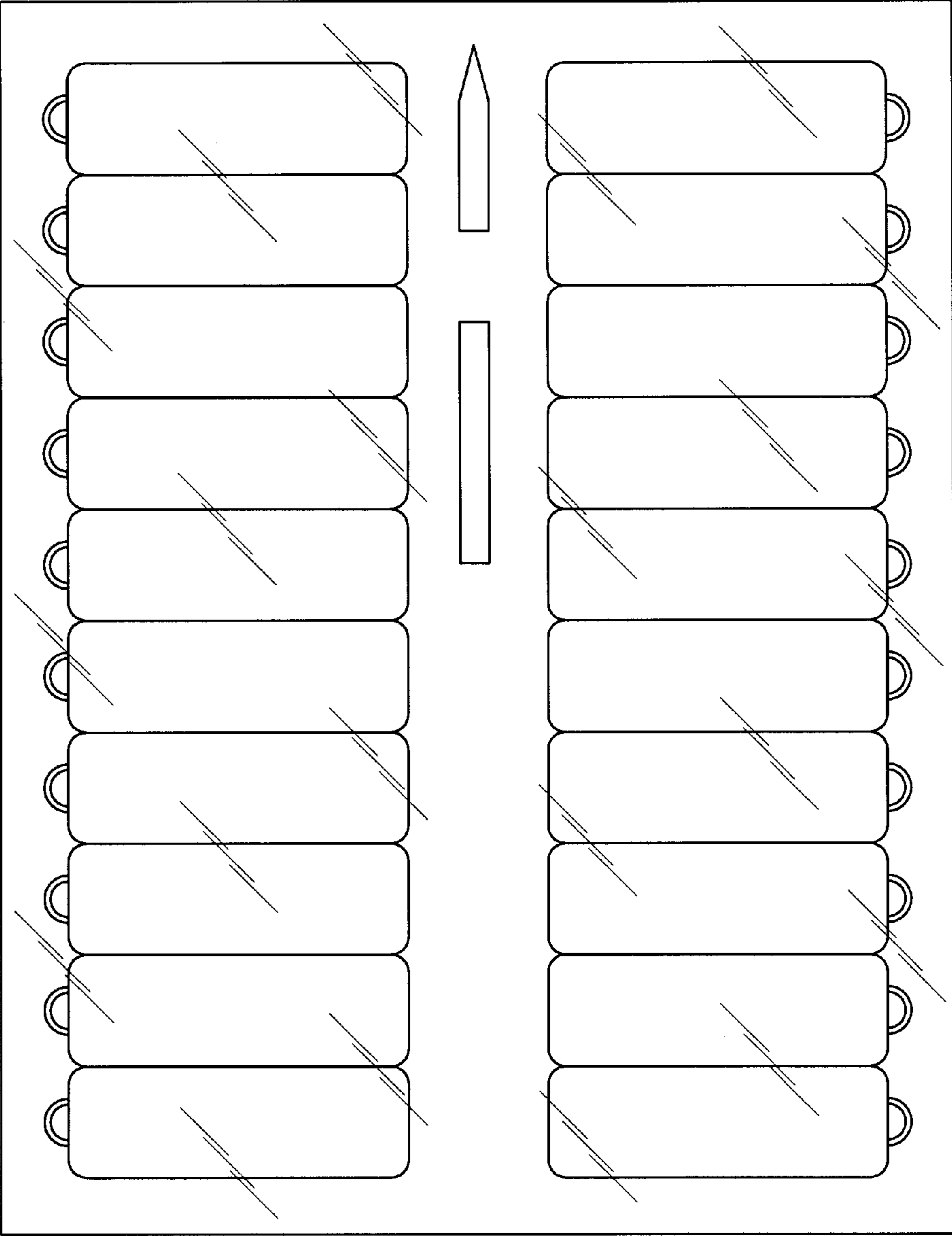


FIG. 4

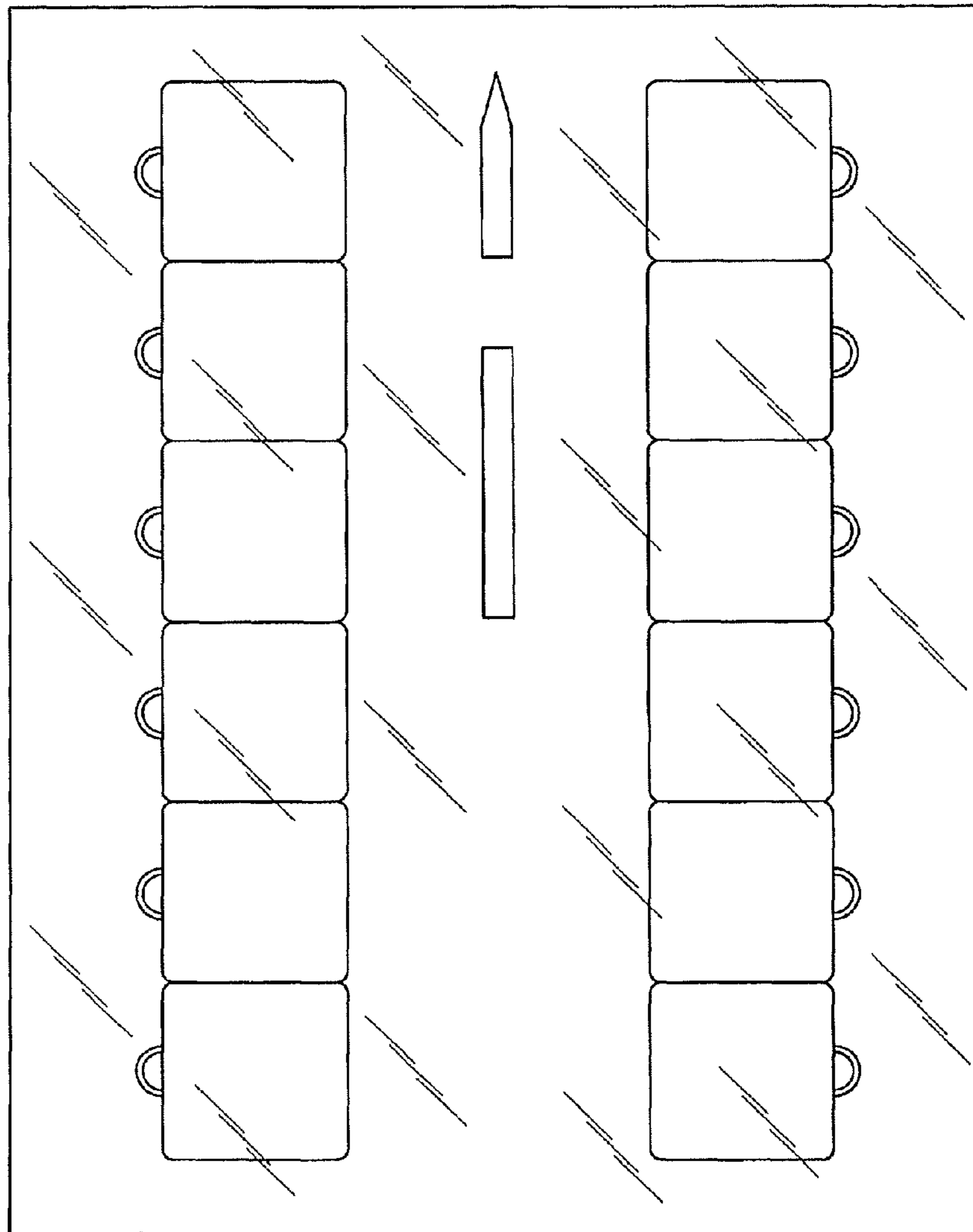


FIG. 5

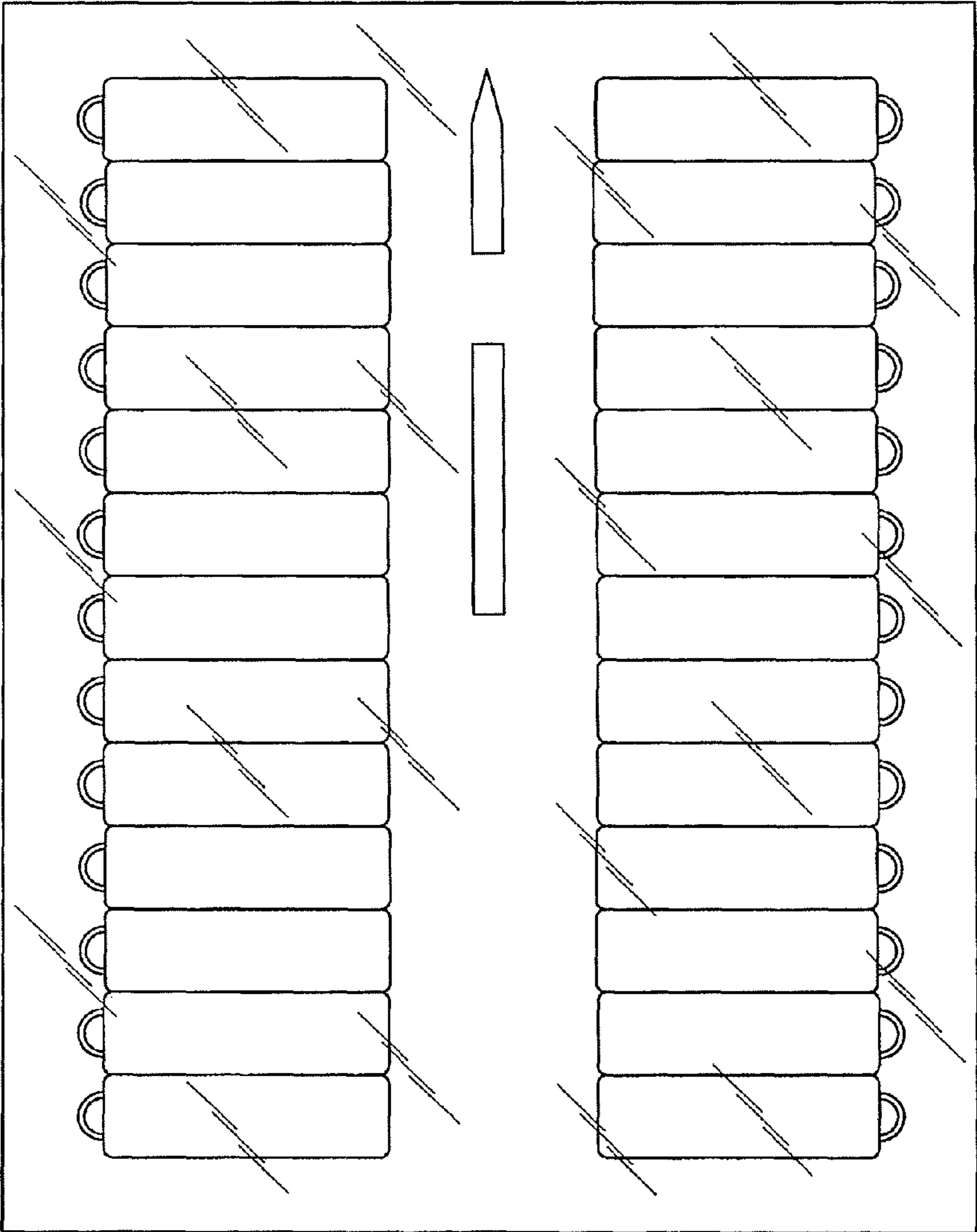


FIG. 6

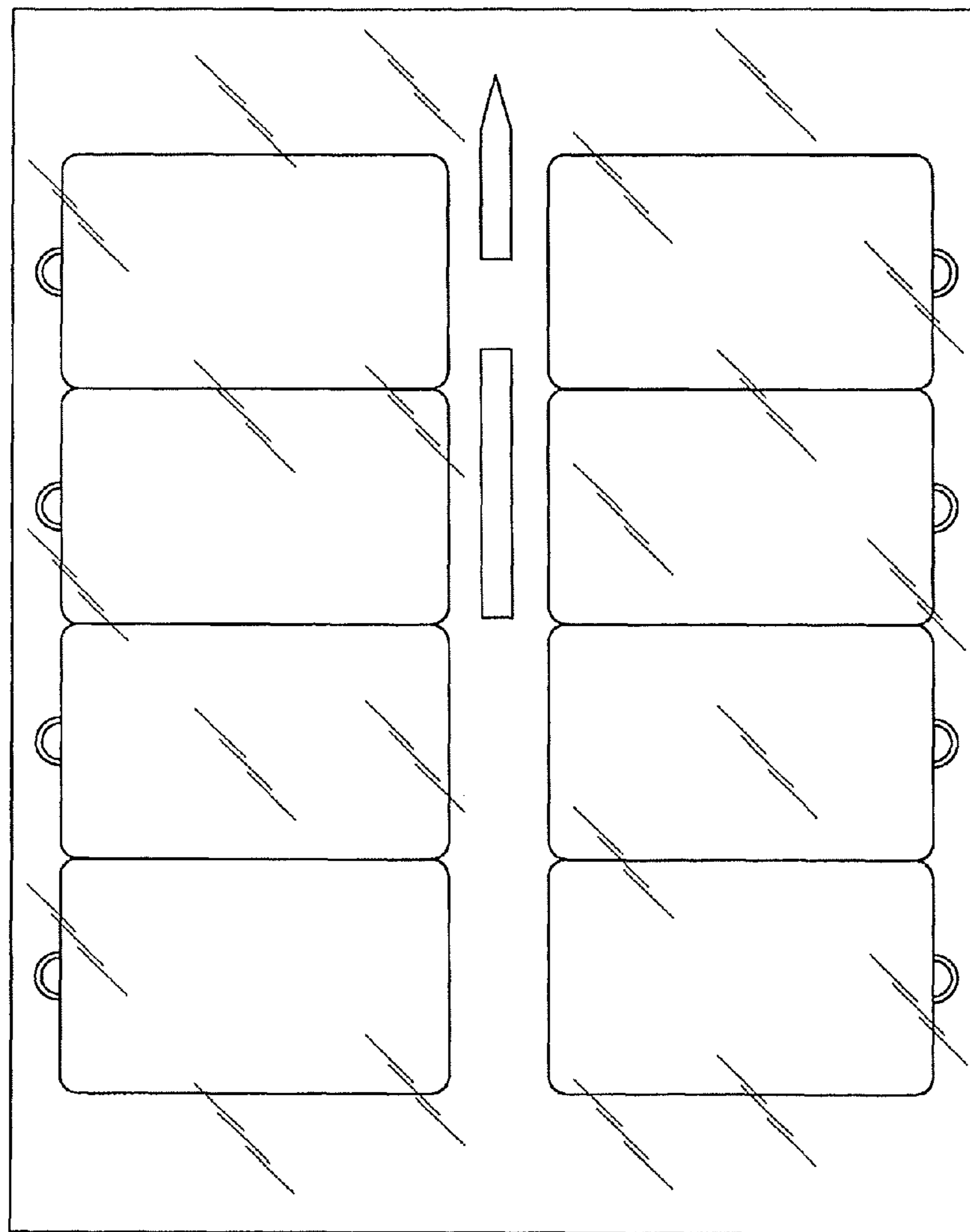


FIG. 7

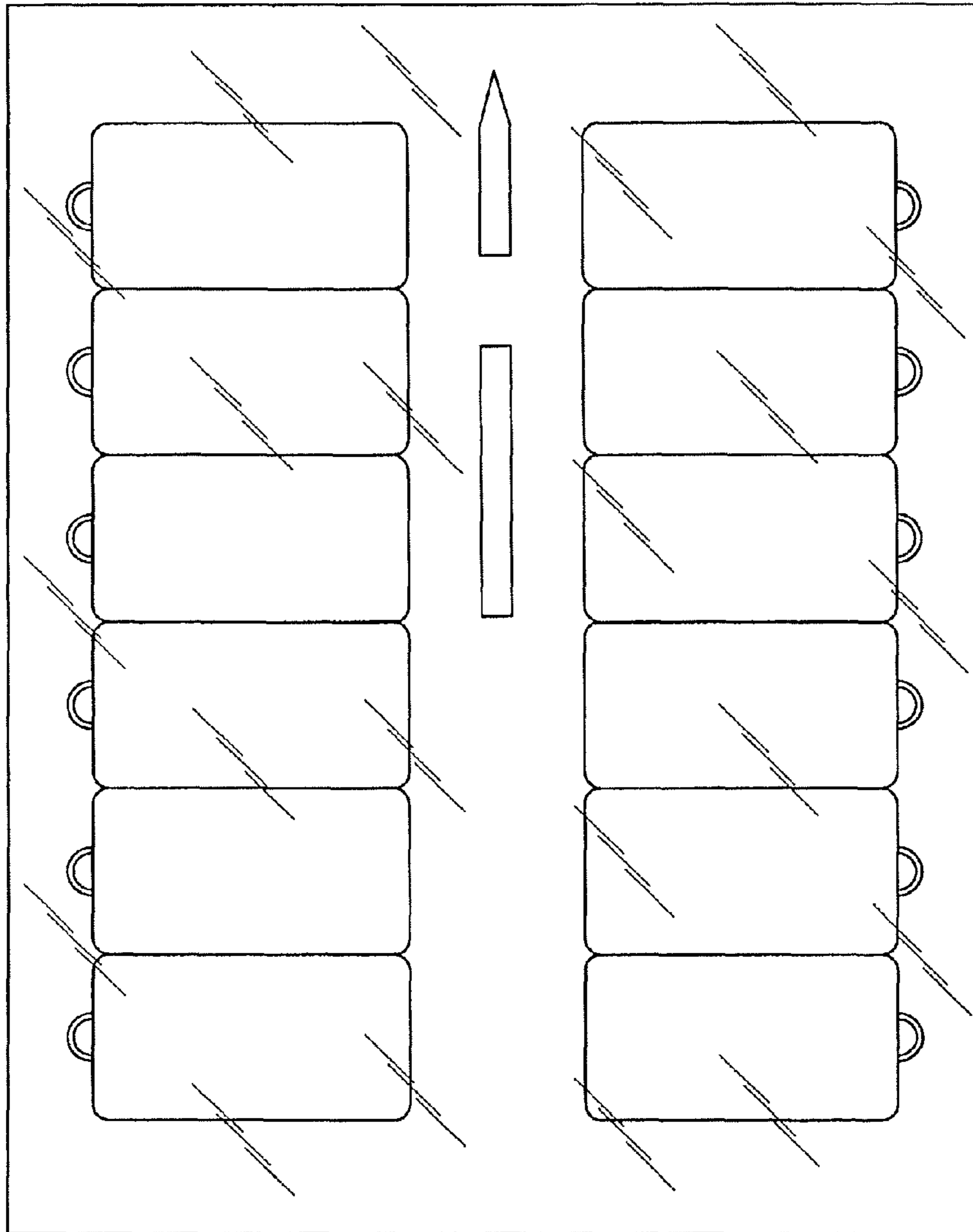


FIG. 8

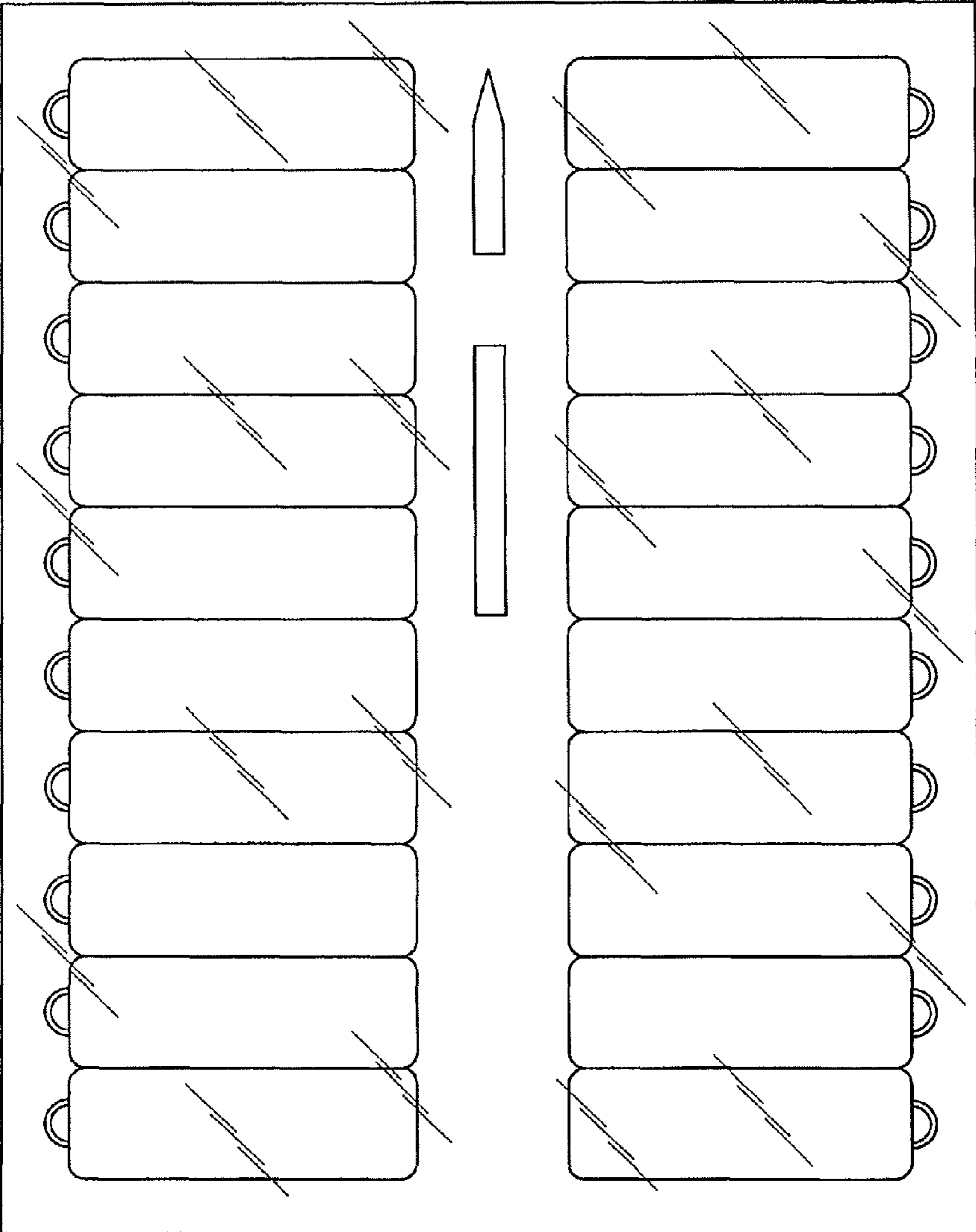


FIG. 9

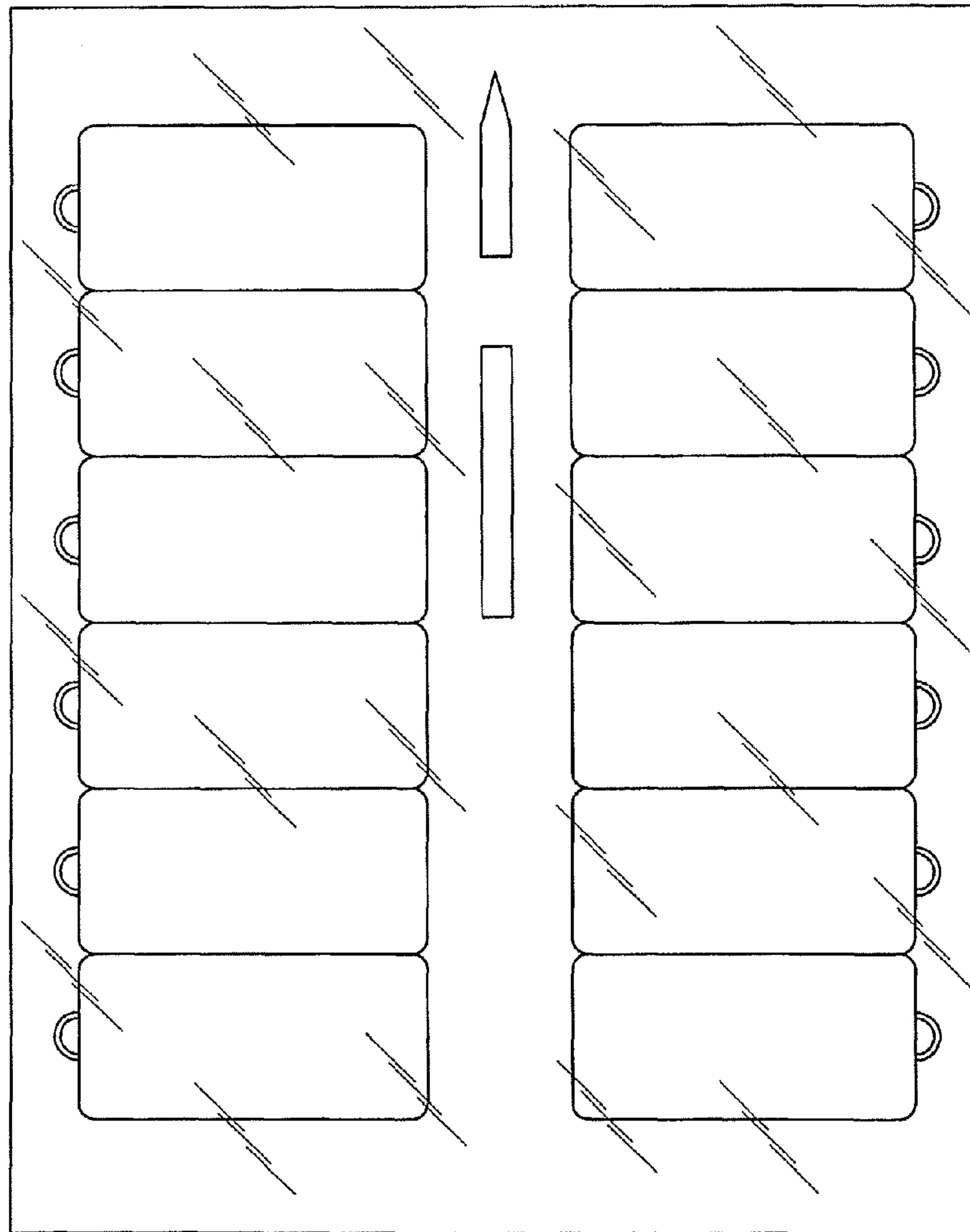


FIG. 10