



US00D671985S

(12) **United States Design Patent**  
**Chida et al.**

(10) **Patent No.:** **US D671,985 S**  
(45) **Date of Patent:** **\*\* \*Dec. 4, 2012**

(54) **PRINTER FOR ORDER ENTRY SYSTEM**

(75) Inventors: **Hiromi Chida**, Chiba (JP); **Masabumi Tsukuda**, Chiba (JP); **Osamu Tanihira**, Chiba (JP)

(73) Assignee: **SII Data Service Corp.**, Chiba (JP)

(\*) Notice: This patent is subject to a terminal disclaimer.

(\*\*) Term: **14 Years**

(21) Appl. No.: **29/393,544**

(22) Filed: **Jun. 6, 2011**

(30) **Foreign Application Priority Data**

Dec. 7, 2010 (JP) ..... D2010-029158

(51) **LOC (9) Cl.** ..... **14-02**

(52) **U.S. Cl.** ..... **D18/50**

(58) **Field of Classification Search** ..... D18/36-37,  
D18/50, 54, 54.1, 55; D14/420-425, 462-470;  
400/613, 613.1-613.4, 690.1-690.4, 691-694

See application file for complete search history.

(56) **References Cited**

U.S. PATENT DOCUMENTS

4,996,539	A	*	2/1991	Haraga et al.	347/192
D325,927	S	*	5/1992	Fushiya	D18/54
D470,884	S	*	2/2003	Gotham et al.	D18/55
D474,805	S	*	5/2003	Gotham et al.	D18/50
D544,530	S	*	6/2007	Omuro et al.	D18/50
D558,819	S	*	1/2008	Kimura et al.	D18/50
D559,900	S	*	1/2008	Kimura et al.	D18/50
D579,487	S	*	10/2008	Yamada	D18/50
D607,507	S	*	1/2010	Kimura et al.	D18/55
D636,018	S	*	4/2011	Kimura et al.	D18/50

\* cited by examiner

*Primary Examiner* — Cathy A MacCormac

(74) *Attorney, Agent, or Firm* — Finnegan, Henderson, Farabow, Garrett & Dunner, L.L.P.

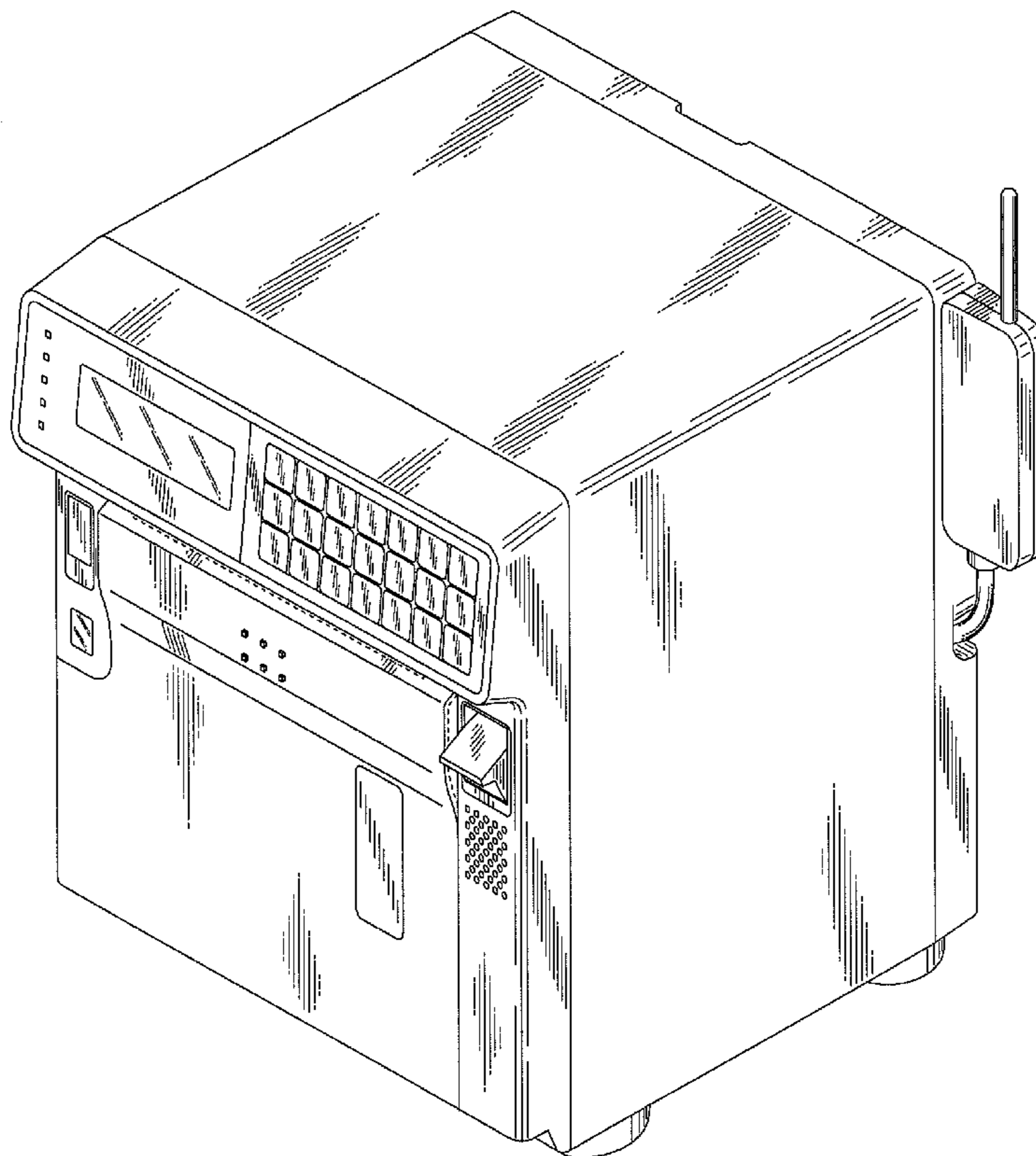
(57) **CLAIM**

The ornamental design for a printer for order entry system, as shown and described.

**DESCRIPTION**

FIG. 1 is a perspective view showing a printer for order entry system showing our new design thereof;  
FIG. 2 is a front view thereof;  
FIG. 3 is a rear view thereof;  
FIG. 4 is a left side view thereof;  
FIG. 5 is a right side view thereof;  
FIG. 6 is a top plan view thereof; and,  
FIG. 7 is a bottom view thereof.

**1 Claim, 7 Drawing Sheets**



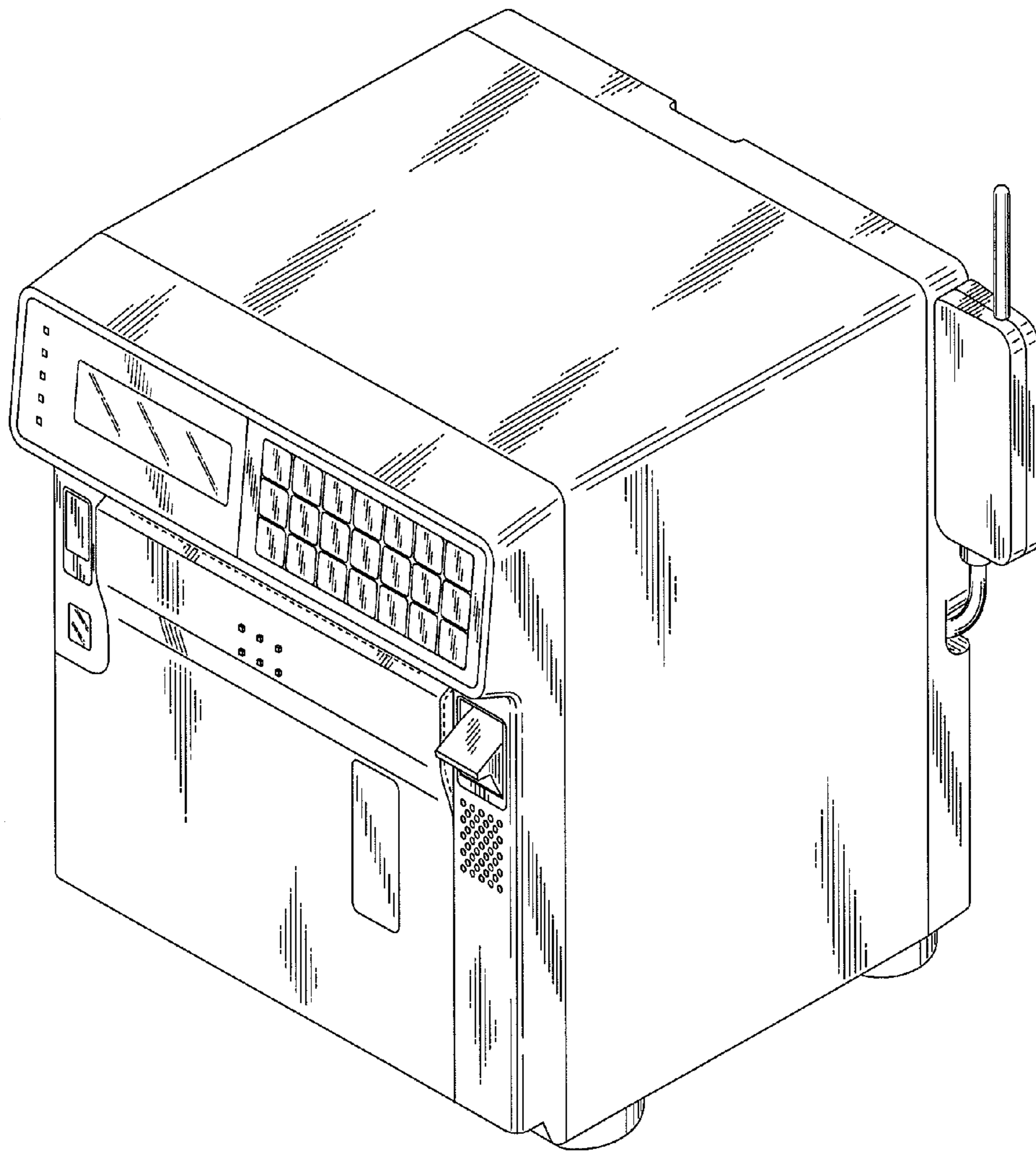


FIG. 1

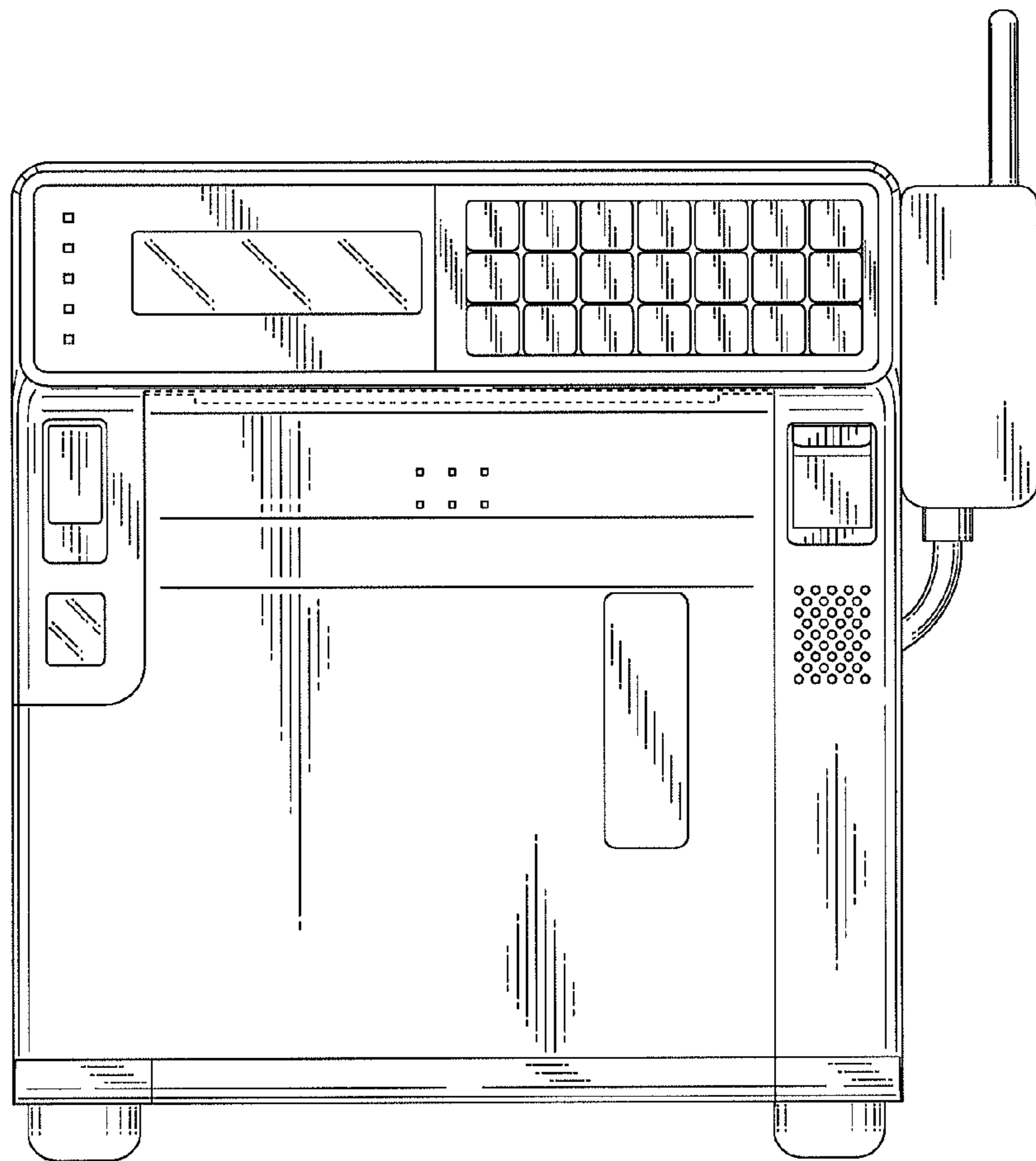


FIG. 2

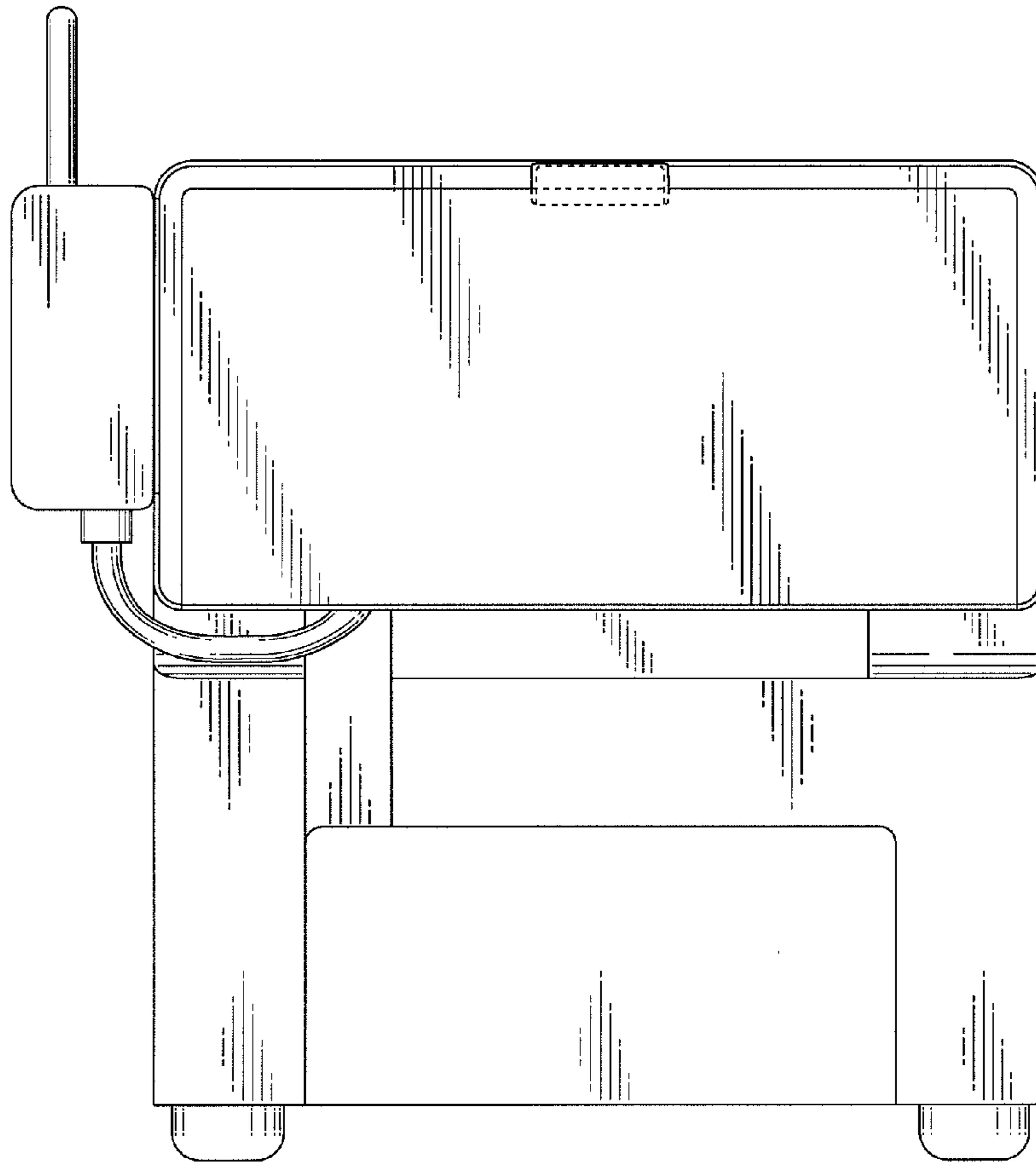


FIG. 3

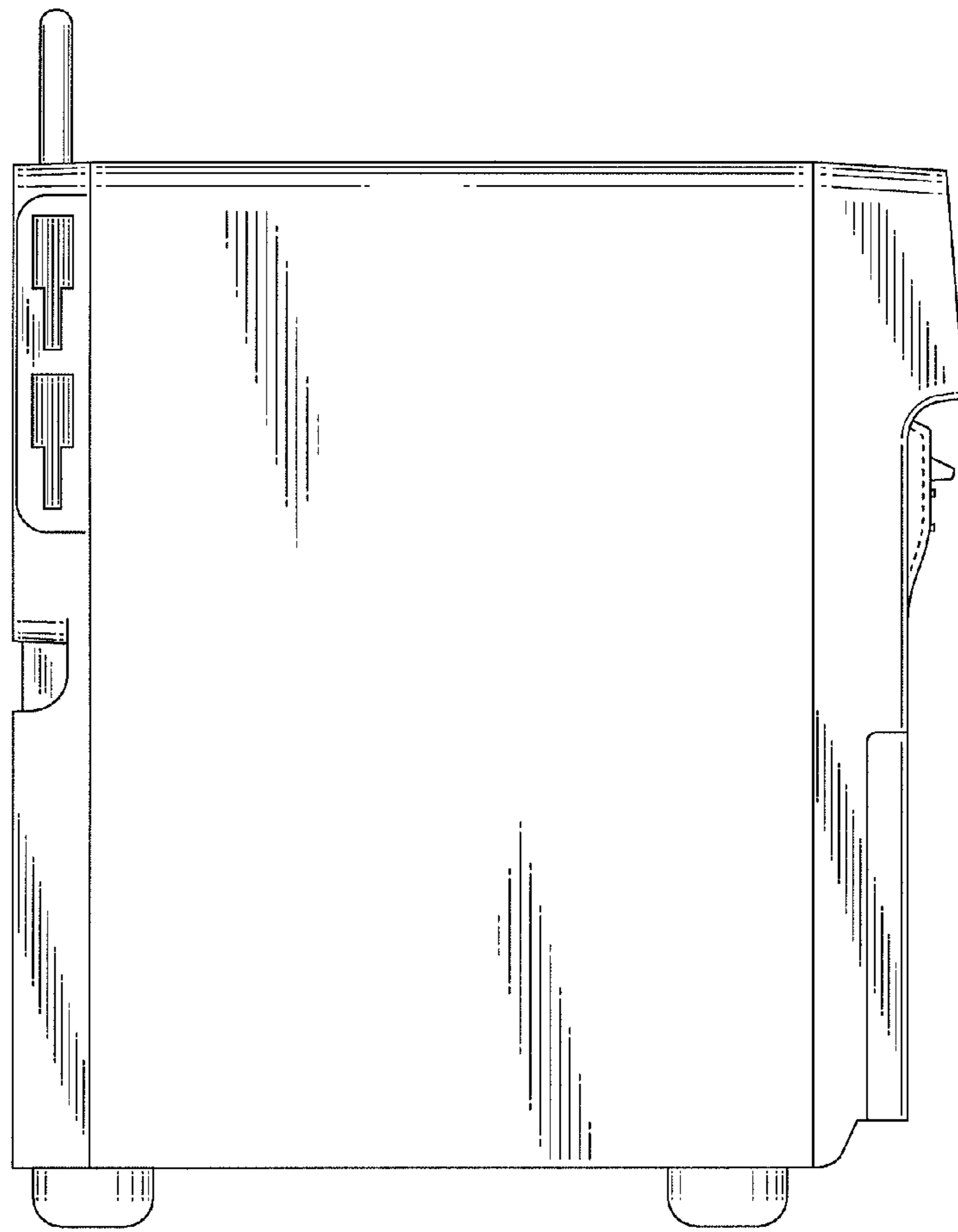


FIG. 4

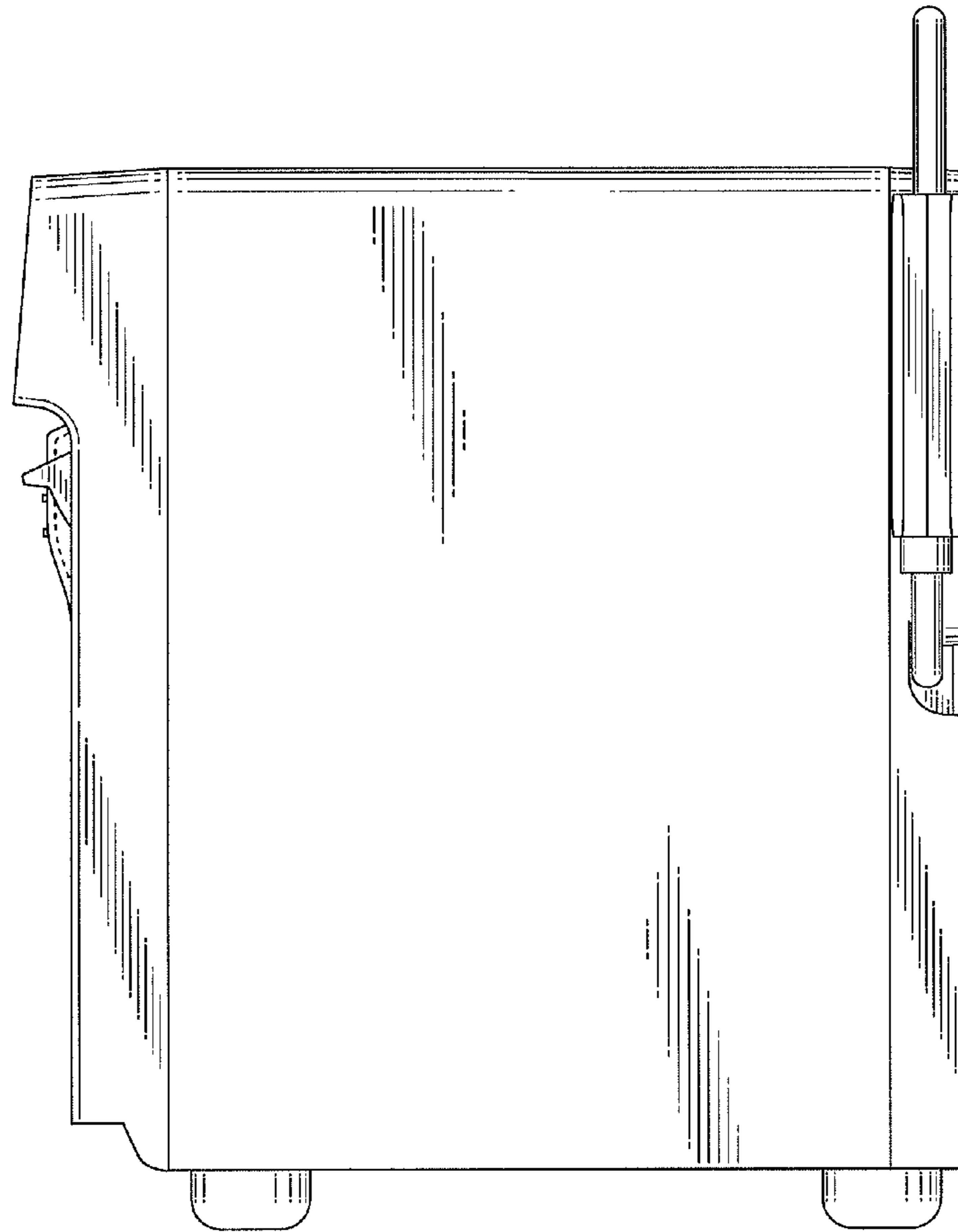


FIG. 5

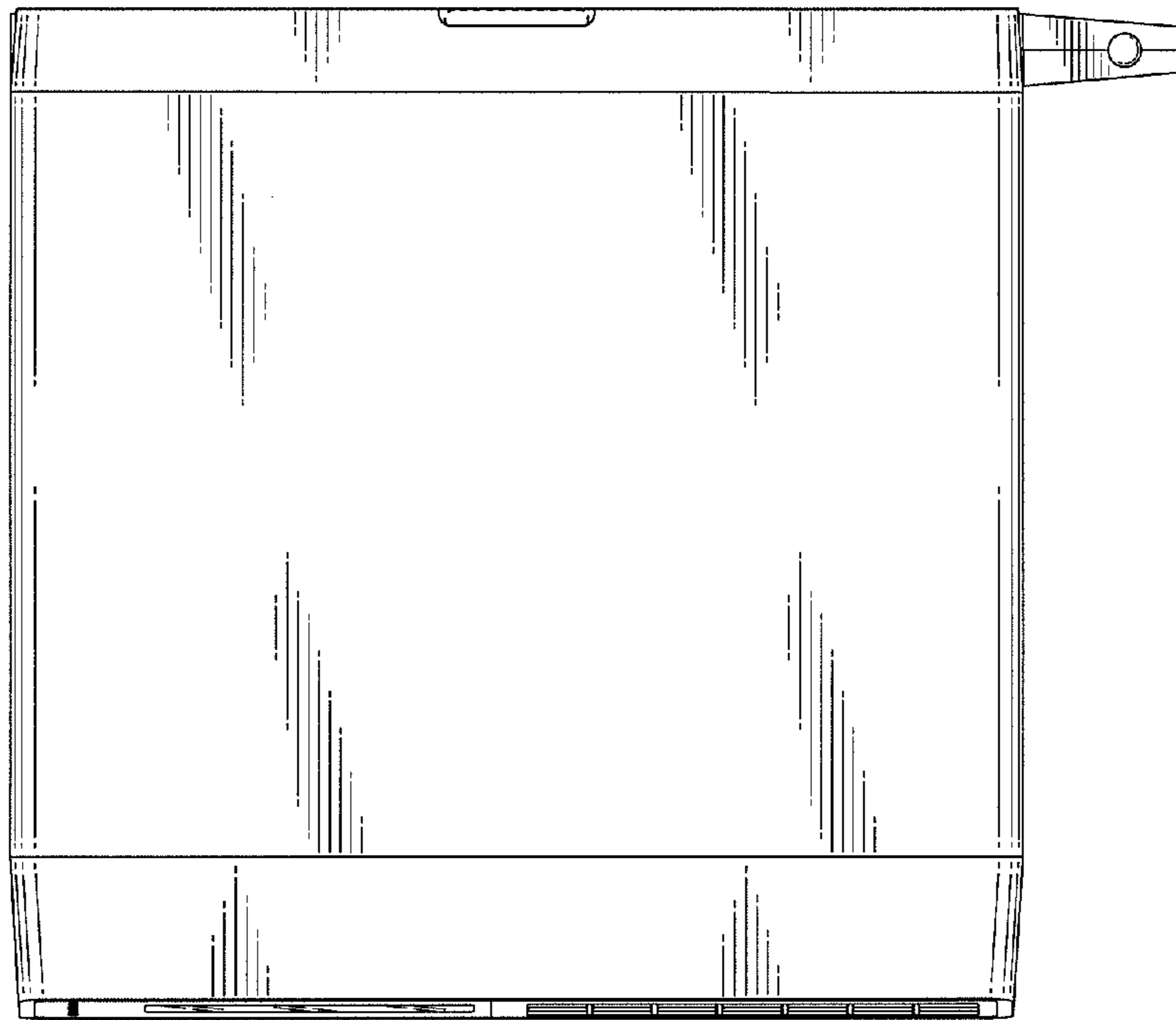


FIG. 6

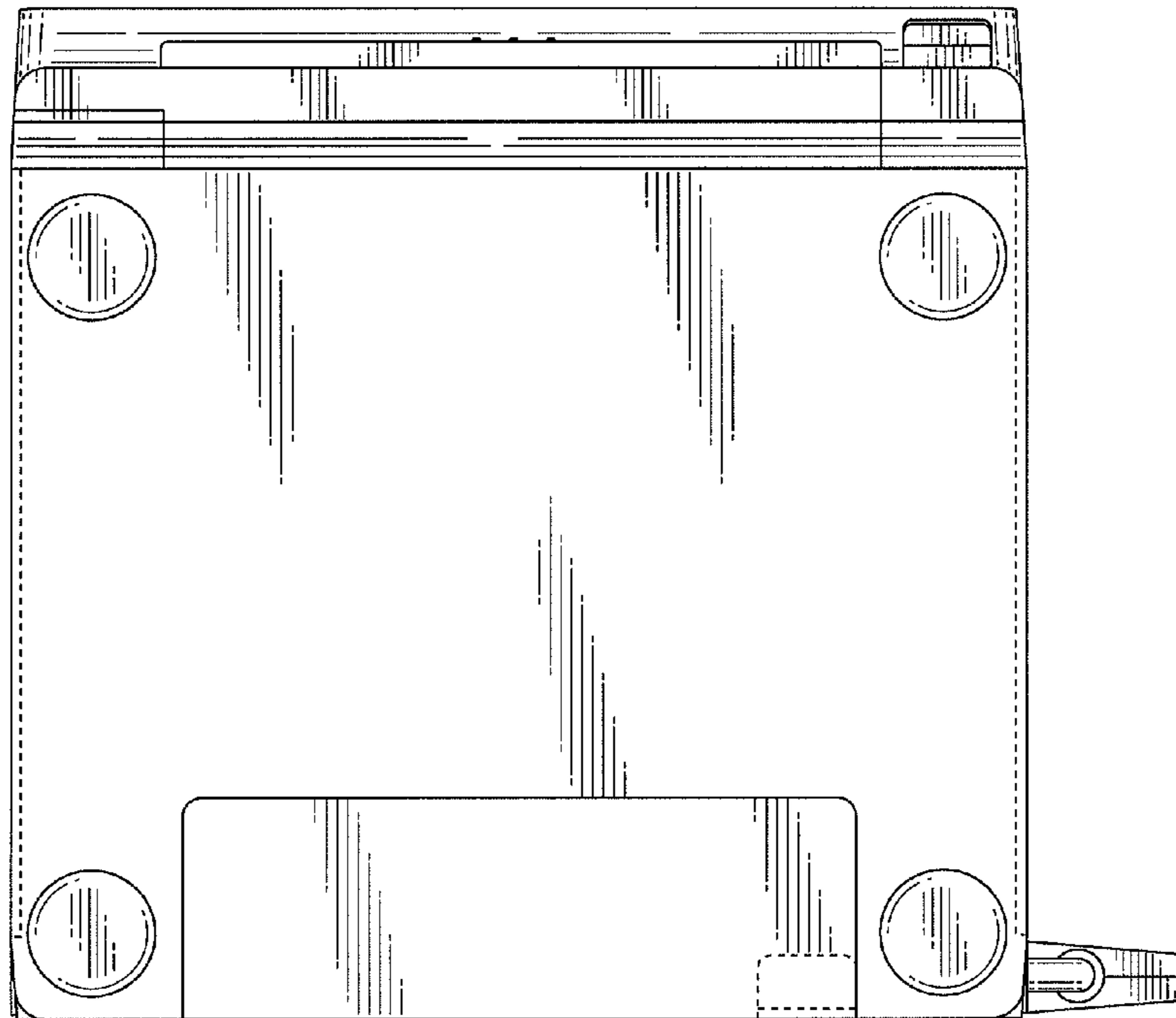


FIG. 7