



US00D671984S

(12) **United States Design Patent**
Fuchs

(10) **Patent No.:** **US D671,984 S**
(45) **Date of Patent:** **** Dec. 4, 2012**

(54) **EYEGLASSES**

(75) Inventor: **Gerhard Fuchs**, Kauns (AT)

(73) Assignee: **Silhouette International Schmied AG**,
Linz (AT)

(**) Term: **14 Years**

(21) Appl. No.: **29/420,453**

(22) Filed: **May 9, 2012**

(30) **Foreign Application Priority Data**

Jan. 19, 2012 (EM) 001977794

(51) **LOC (9) Cl.** **16-06**

(52) **U.S. Cl.** **D16/335; D16/321; D16/314**

(58) **Field of Classification Search** D16/101,
D16/300-342, 900; D29/109-110; D24/110.2;
351/41, 44, 51-52, 62, 158, 92, 103-123,
351/140, 153, 45-46; 2/426-432, 447-449,
2/441, 434-437, 13, 15; D21/483, 659-661;
D14/372

See application file for complete search history.

(56) **References Cited**

U.S. PATENT DOCUMENTS

D169,570 S *	5/1953	Von Seekamm	D16/321
D176,309 S *	12/1955	Clark	D29/109
D385,573 S *	10/1997	Ertz	D16/310
D508,940 S	8/2005	Fuchs		
D527,758 S	9/2006	Fuchs		
D536,022 S	1/2007	Fuchs		
D544,016 S	6/2007	Fuchs		
D550,755 S	9/2007	Fuchs		
D556,240 S	11/2007	Fuchs		
D556,814 S	12/2007	Serlenga		
D563,453 S	3/2008	Serlenga		
D570,897 S	6/2008	Fuchs		

D582,960 S	12/2008	Fuchs		
D582,966 S	12/2008	Serlenga		
D582,967 S *	12/2008	Serlenga	D16/326
D623,684 S *	9/2010	Yee	D16/320
D639,845 S	6/2011	Fuchs		
D646,317 S	10/2011	Serlenga		
D647,125 S	10/2011	Fuchs		

OTHER PUBLICATIONS

U.S. Appl. No. 29/406,293, filed Nov. 11, 2011, In re: Fuchs, entitled *Eyewear*.

U.S. Appl. No. 29/394,500, filed Jun. 17, 2011, In re: Fuchs, entitled *Eyeglasses*.

U.S. Appl. No. 29/394,498, filed Jun. 17, 2011, In re: Fuchs, entitled *Eyeglasses*.

* cited by examiner

Primary Examiner — Raphael Barkai

(74) *Attorney, Agent, or Firm* — Alston & Bird LLP

(57) **CLAIM**

I claim the ornamental design for eyeglasses, as shown and described.

DESCRIPTION

FIG. 1 is a perspective view of eyeglasses showing my new design;

FIG. 2 is a front elevation view thereof;

FIG. 3 is a rear elevation view thereof;

FIG. 4 is a top plan view thereof;

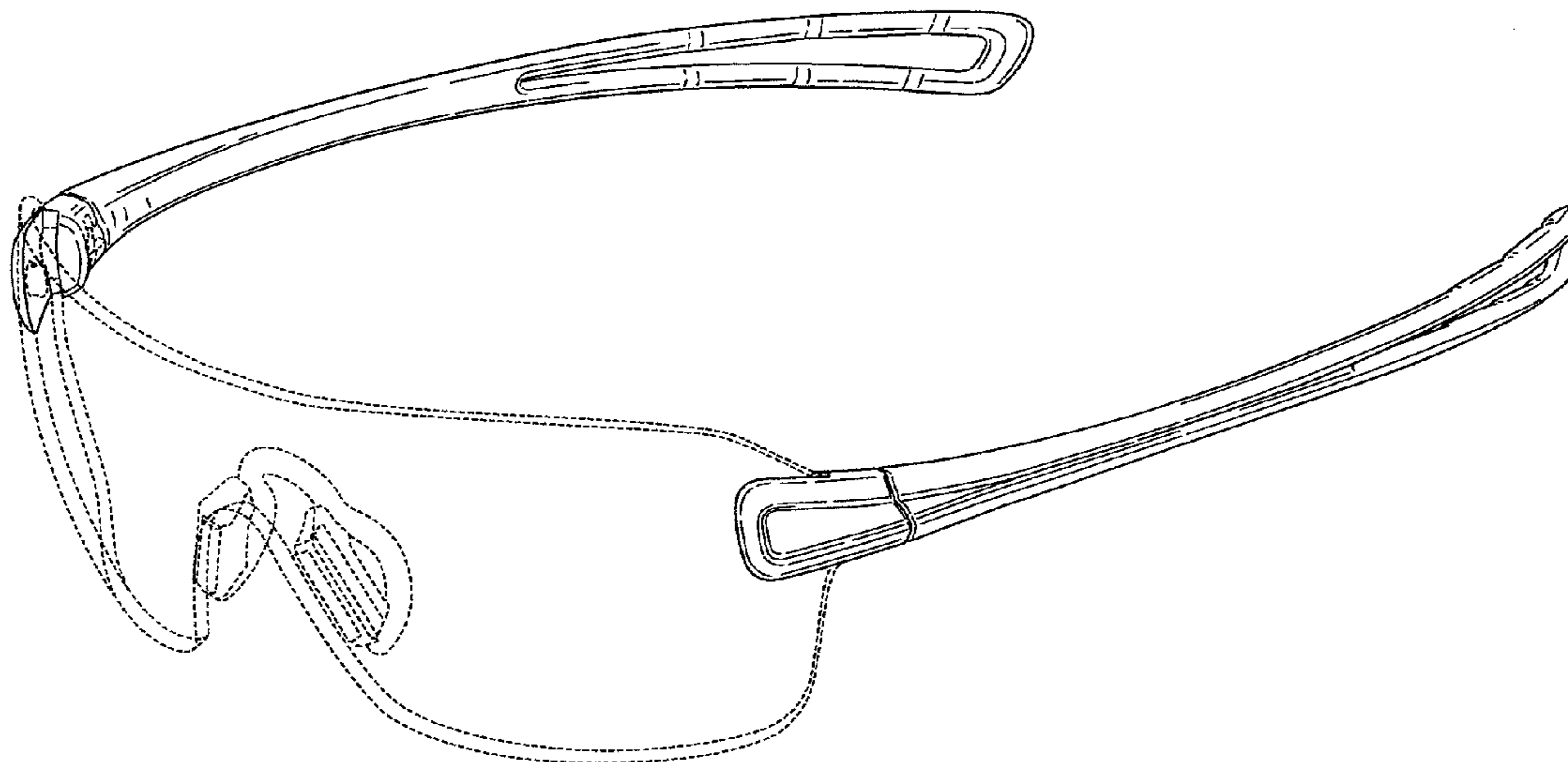
FIG. 5 is a bottom plan view thereof;

FIG. 6 is a left side elevation view thereof; and,

FIG. 7 is side elevation cross-section view thereof taken along line 7-7 in FIG. 4.

The broken lines immediately adjacent shaded areas represent bounds of the claimed design, while all other broken lines are directed to environment or unclaimed features. The broken lines form no part of the claimed design.

1 Claim, 5 Drawing Sheets



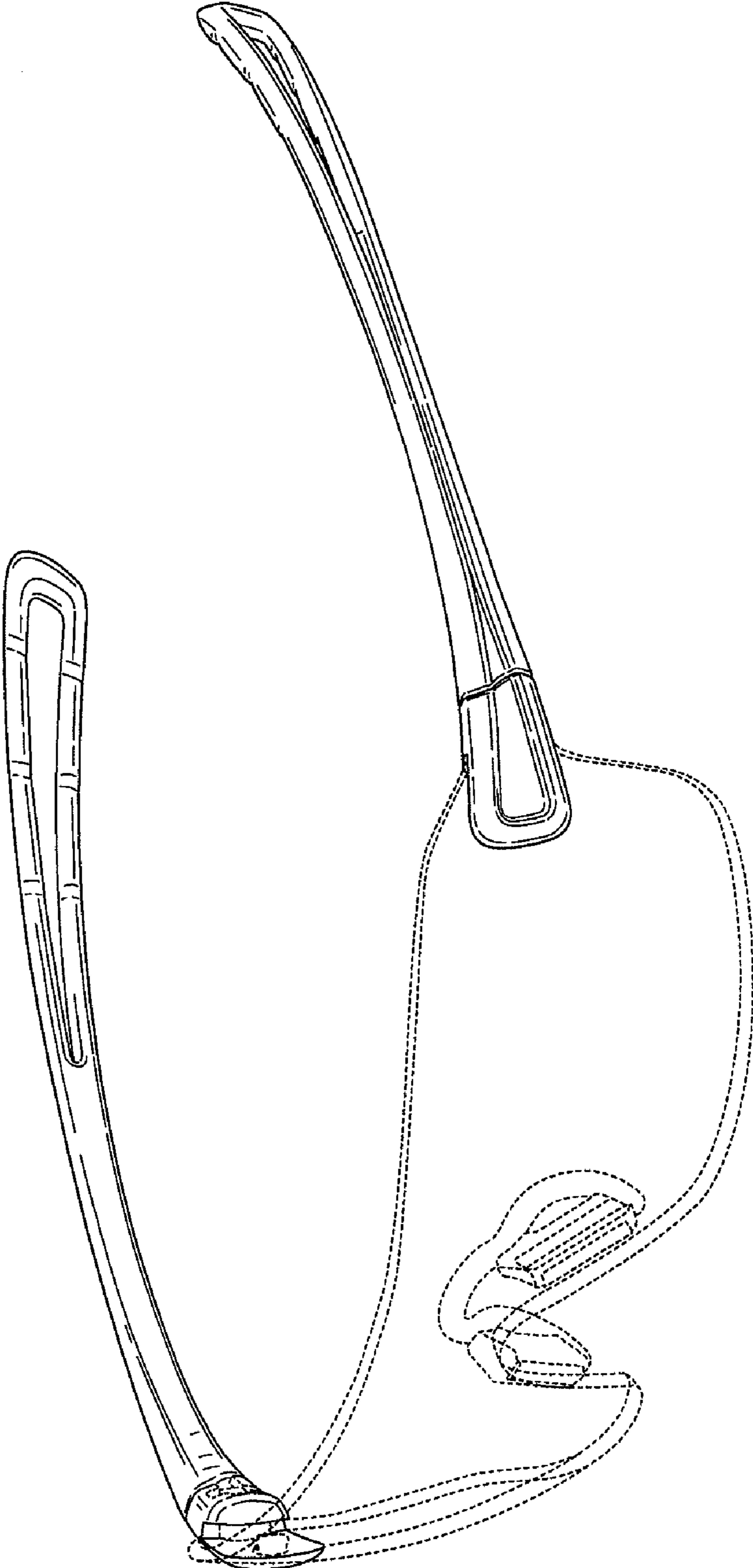


FIG. 1

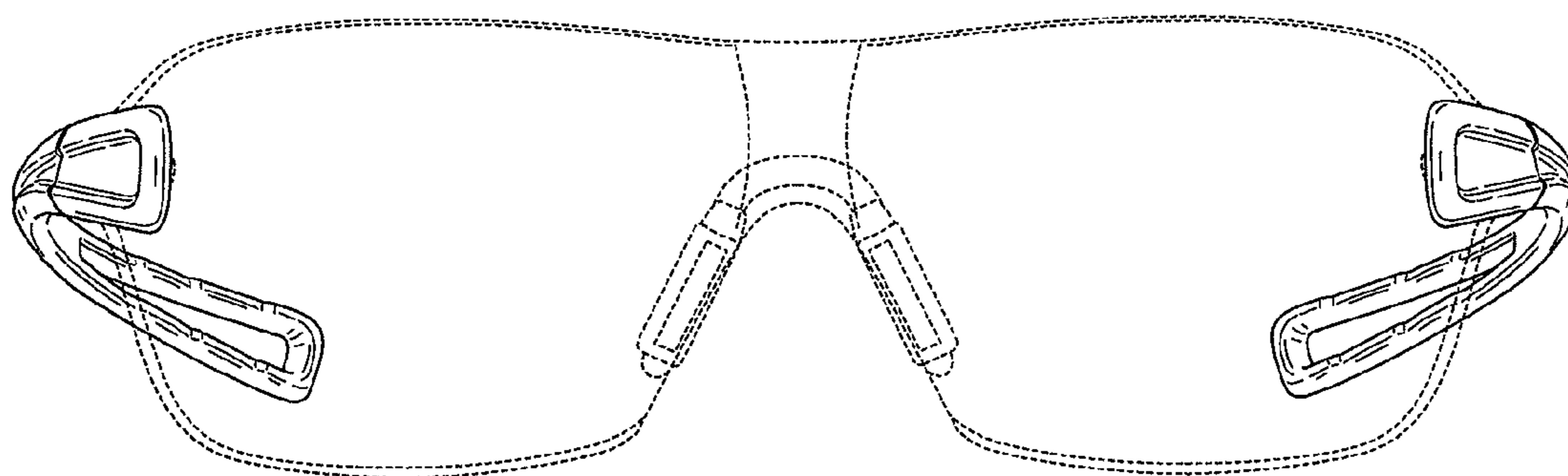


FIG. 2

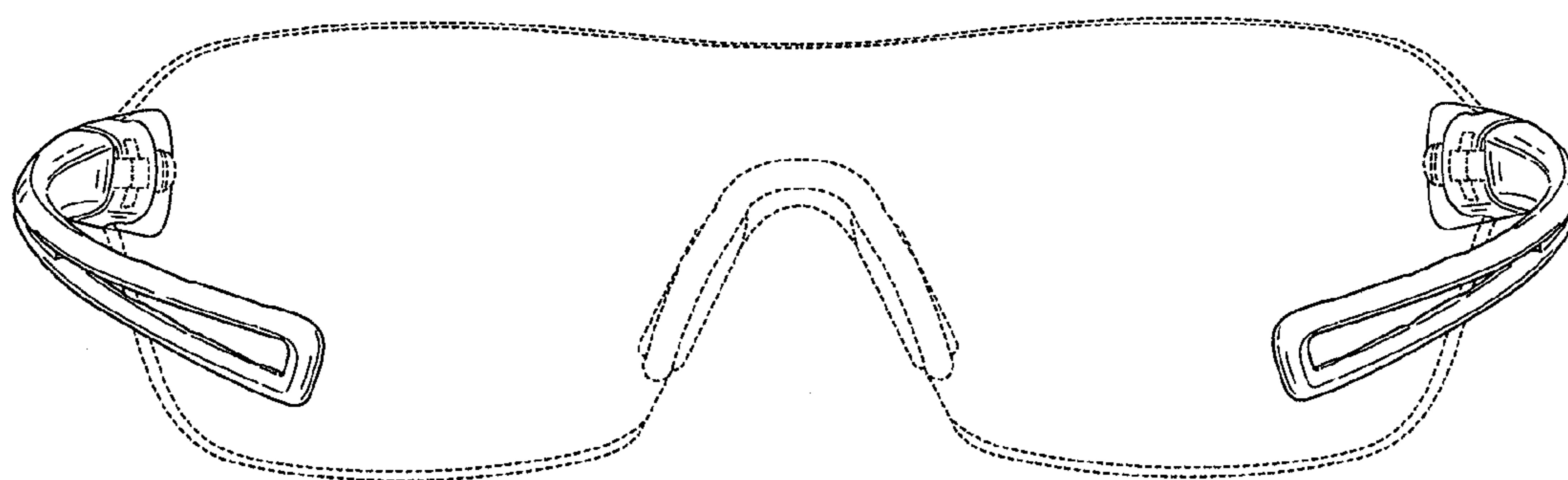


FIG. 3

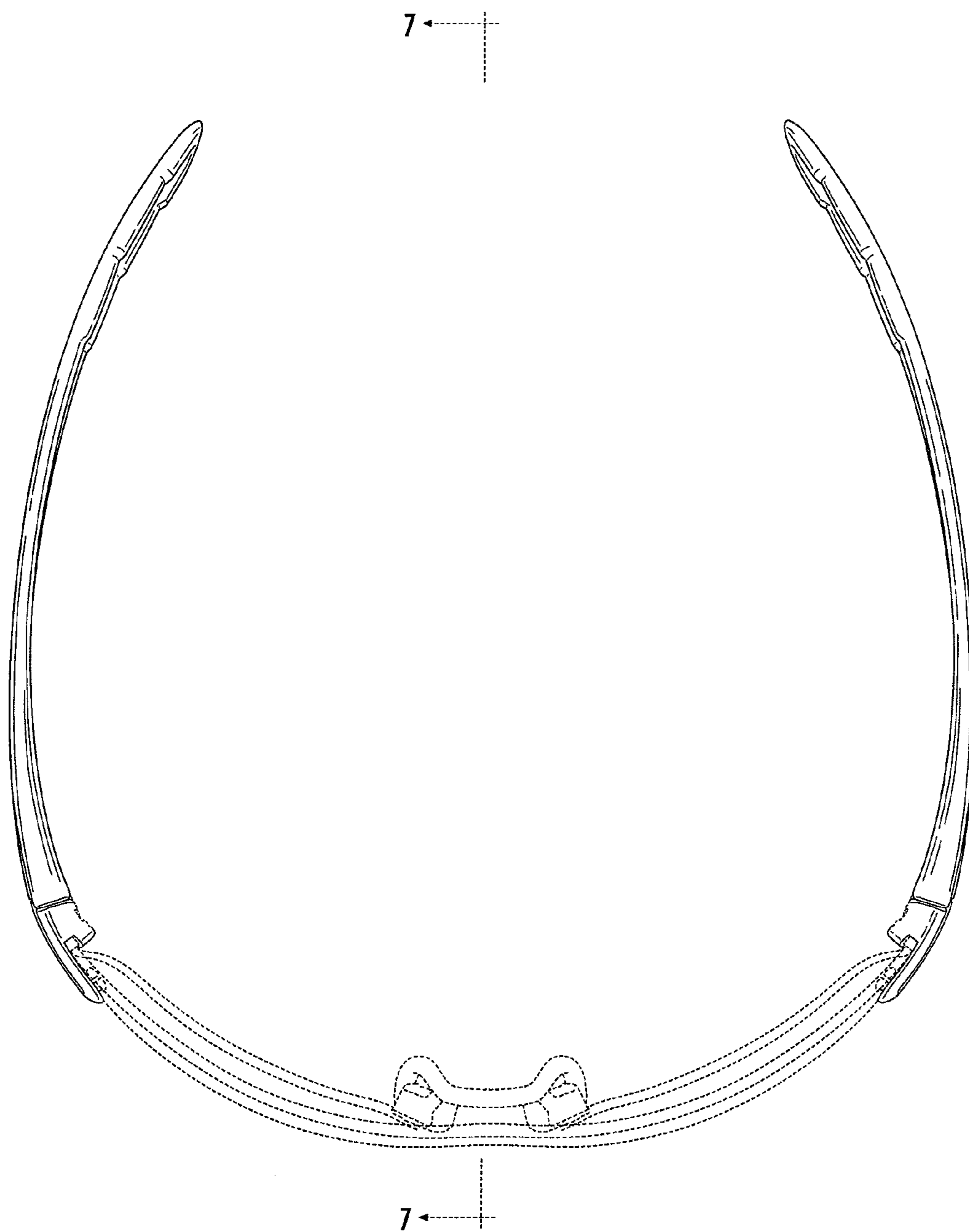


FIG. 4

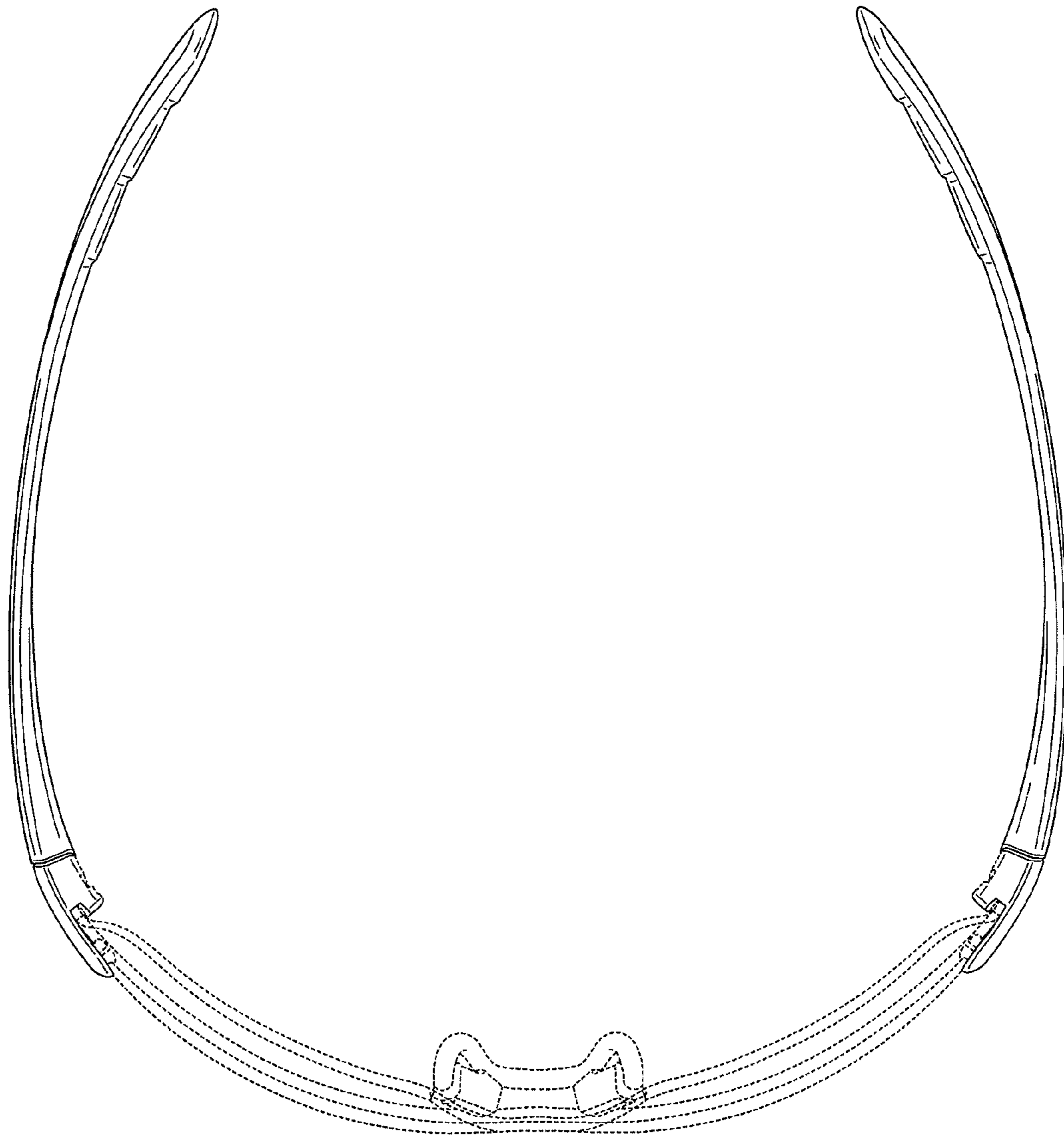


FIG. 5

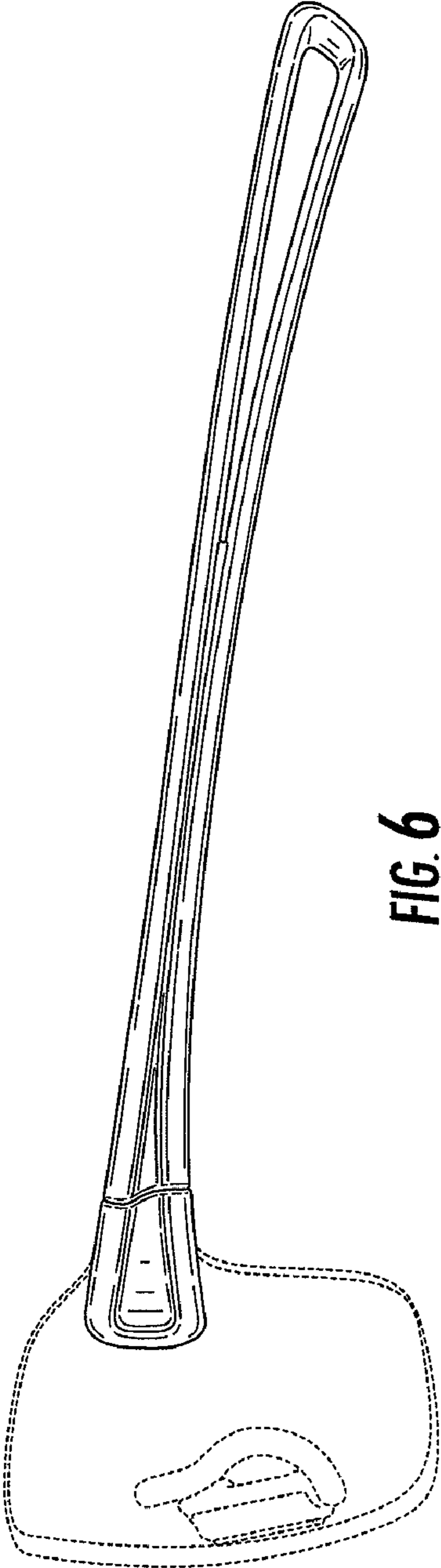


FIG. 6

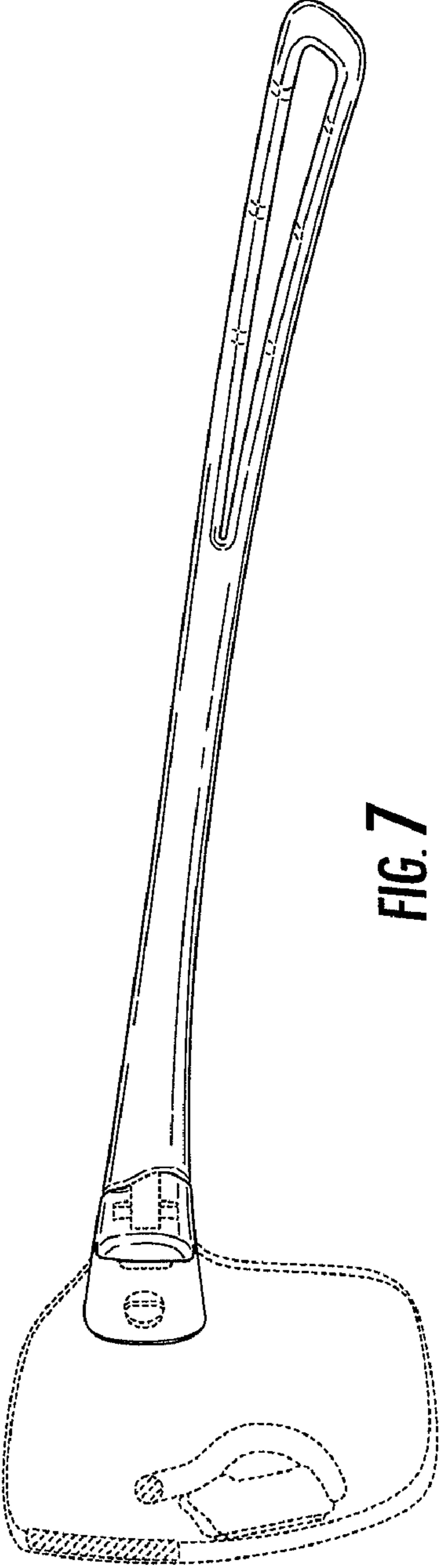


FIG. 7