



US00D671983S

(12) **United States Design Patent**
Fuchs

(10) **Patent No.:** **US D671,983 S**
(45) **Date of Patent:** **** Dec. 4, 2012**

(54) **EYEGLASSES**

(75) Inventor: **Gerhard Fuchs**, Kauns (AT)

(73) Assignee: **Silhouette International Schmied AG**,
Linz (AT)

(**) Term: **14 Years**

(21) Appl. No.: **29/394,500**

(22) Filed: **Jun. 17, 2011**

(30) **Foreign Application Priority Data**

Mar. 22, 2011 (EM) 001839127

(51) **LOC (9) Cl.** **16-06**

(52) **U.S. Cl.** **D16/335; D16/315; D16/321;**
D16/323

(58) **Field of Classification Search** D16/101,
D16/300-342, 900; D29/109-110; D24/110.2;
351/41, 44, 51-52, 62, 158, 92, 103-123,
351/140, 153, 45-46; 2/426-432, 447-449,
2/441, 434-437, 13, 15; D21/483, 659-661;
D14/372

See application file for complete search history.

(56) **References Cited**

U.S. PATENT DOCUMENTS

D305,900 S * 2/1990 Samuel D16/320
6,655,800 B2 * 12/2003 Takeda et al. 351/110
D513,761 S * 1/2006 Yee et al. D16/335
D532,438 S * 11/2006 Yang D16/321
D551,693 S 9/2007 Fuchs

D556,819 S 12/2007 Fuchs
D573,170 S 7/2008 Fuchs
D582,963 S 12/2008 Fuchs
D582,964 S 12/2008 Fuchs
D590,005 S 4/2009 Fuchs
D596,660 S * 7/2009 Gonzalez D16/334
D597,123 S 7/2009 Strecker
D597,584 S 8/2009 Serlenga
D602,975 S 10/2009 Fuchs
D617,367 S * 6/2010 Gonzalez D16/335
D633,940 S 3/2011 Preuer-Lackner
D662,536 S * 6/2012 Shin D16/321

* cited by examiner

Primary Examiner — Raphael Barkai

(74) *Attorney, Agent, or Firm* — Alston & Bird LLP

(57) **CLAIM**

I claim the ornamental design for eyeglasses, as shown and described.

DESCRIPTION

FIG. 1 is a perspective view of eyeglasses showing my new design;

FIG. 2 is a top plan view thereof;

FIG. 3 is a bottom plan view thereof;

FIG. 4 is a front elevation view thereof;

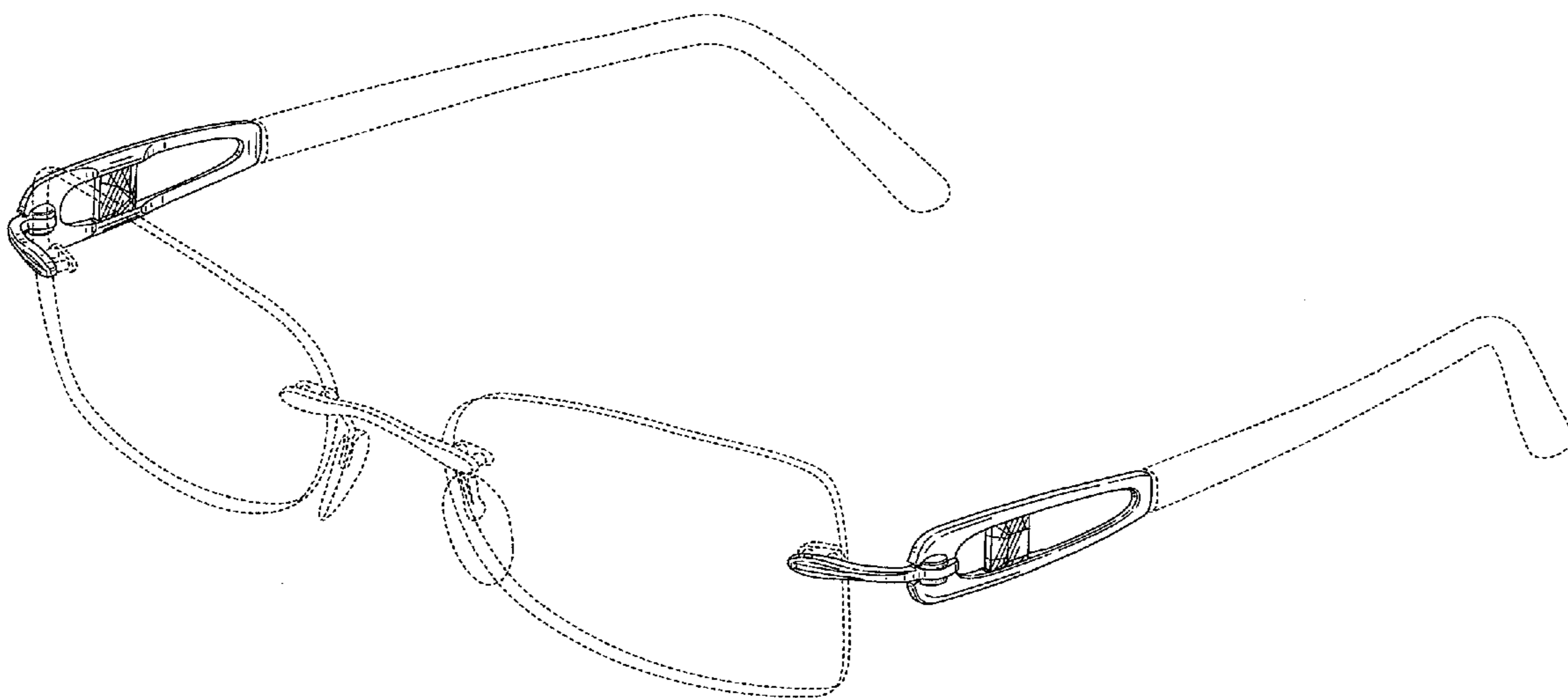
FIG. 5 is a rear elevation view thereof;

FIG. 6 is a left side elevation view thereof; and,

FIG. 7 is side elevation cross-section view thereof taken along line 7-7 in FIG. 2.

The broken lines are directed to environment and are for illustrative purposes only. The broken lines form no part of the claimed design.

1 Claim, 5 Drawing Sheets



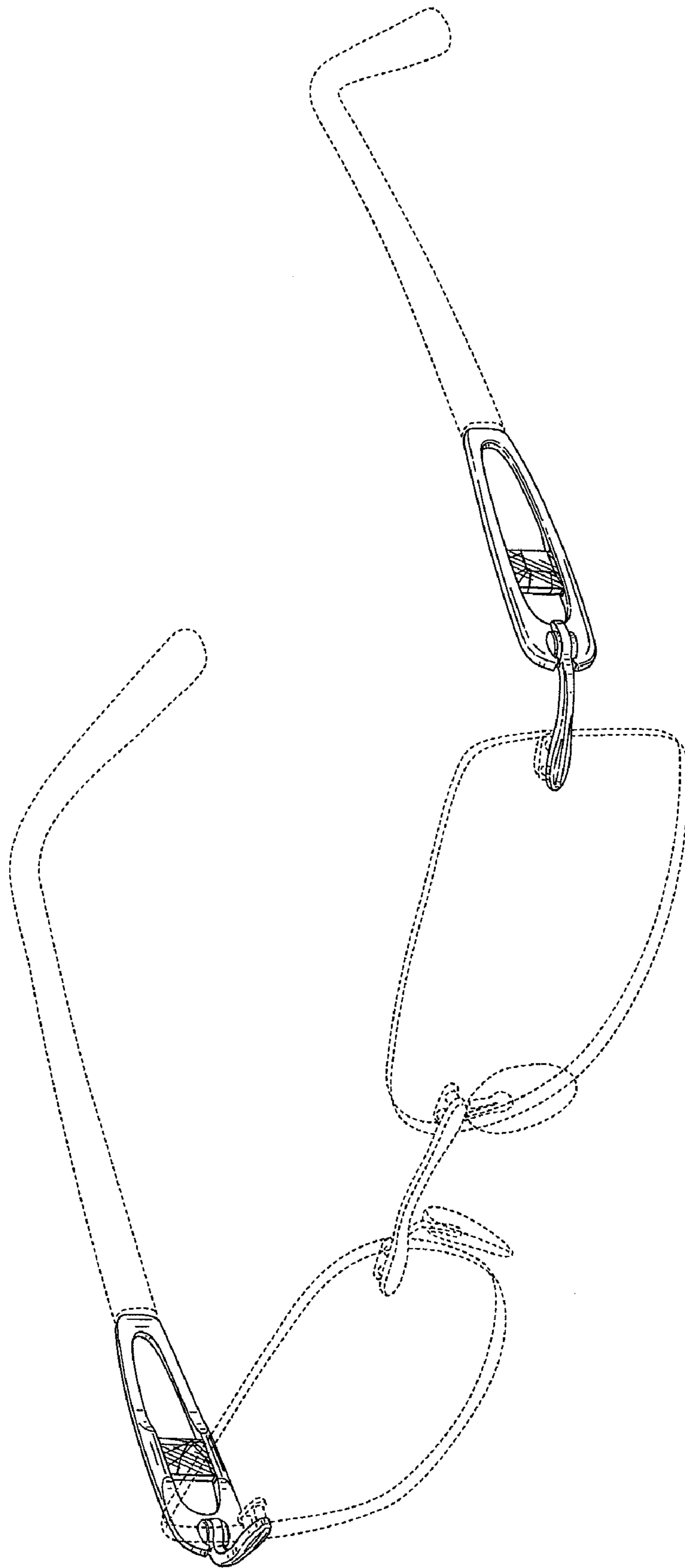


FIG. 1

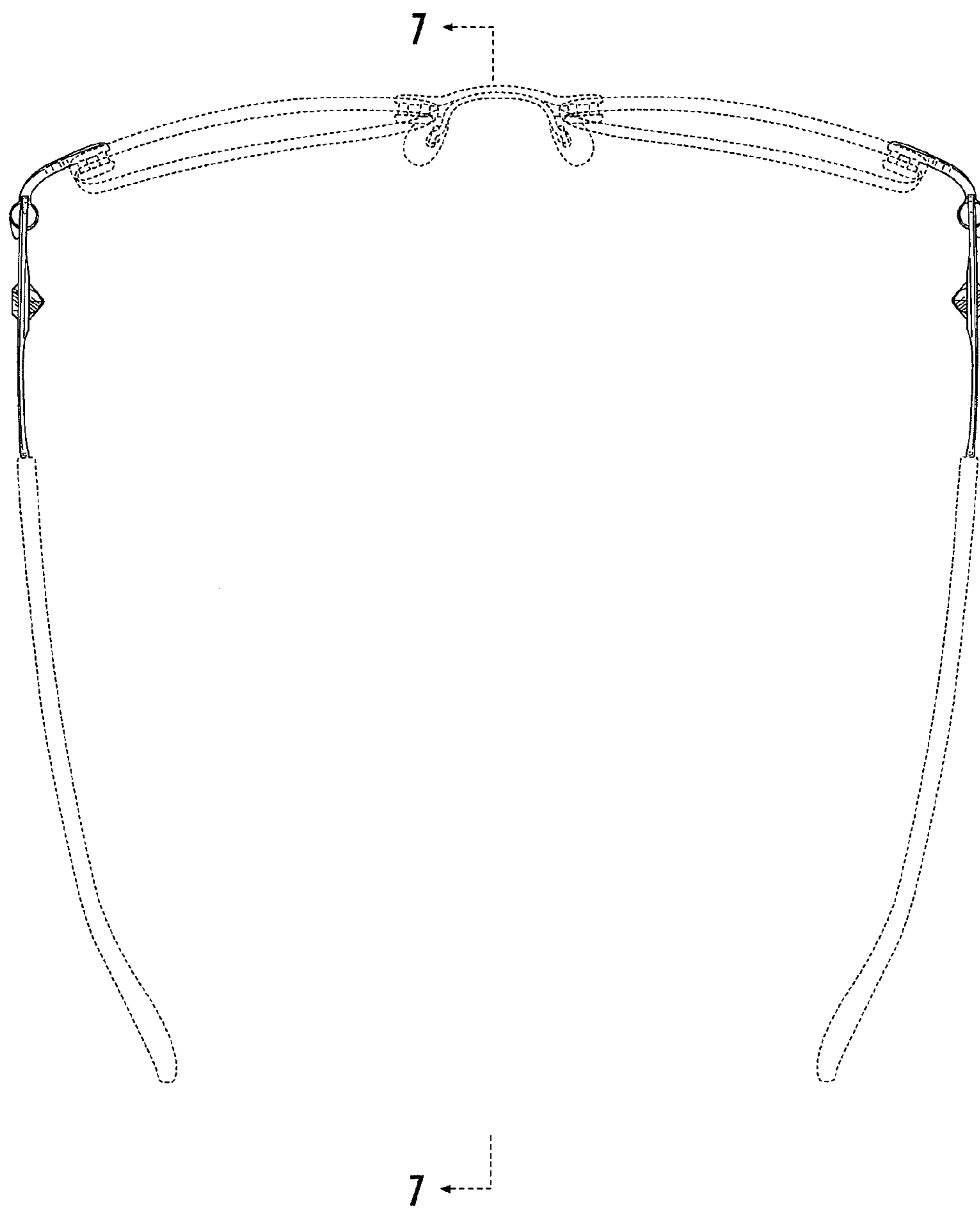


FIG. 2

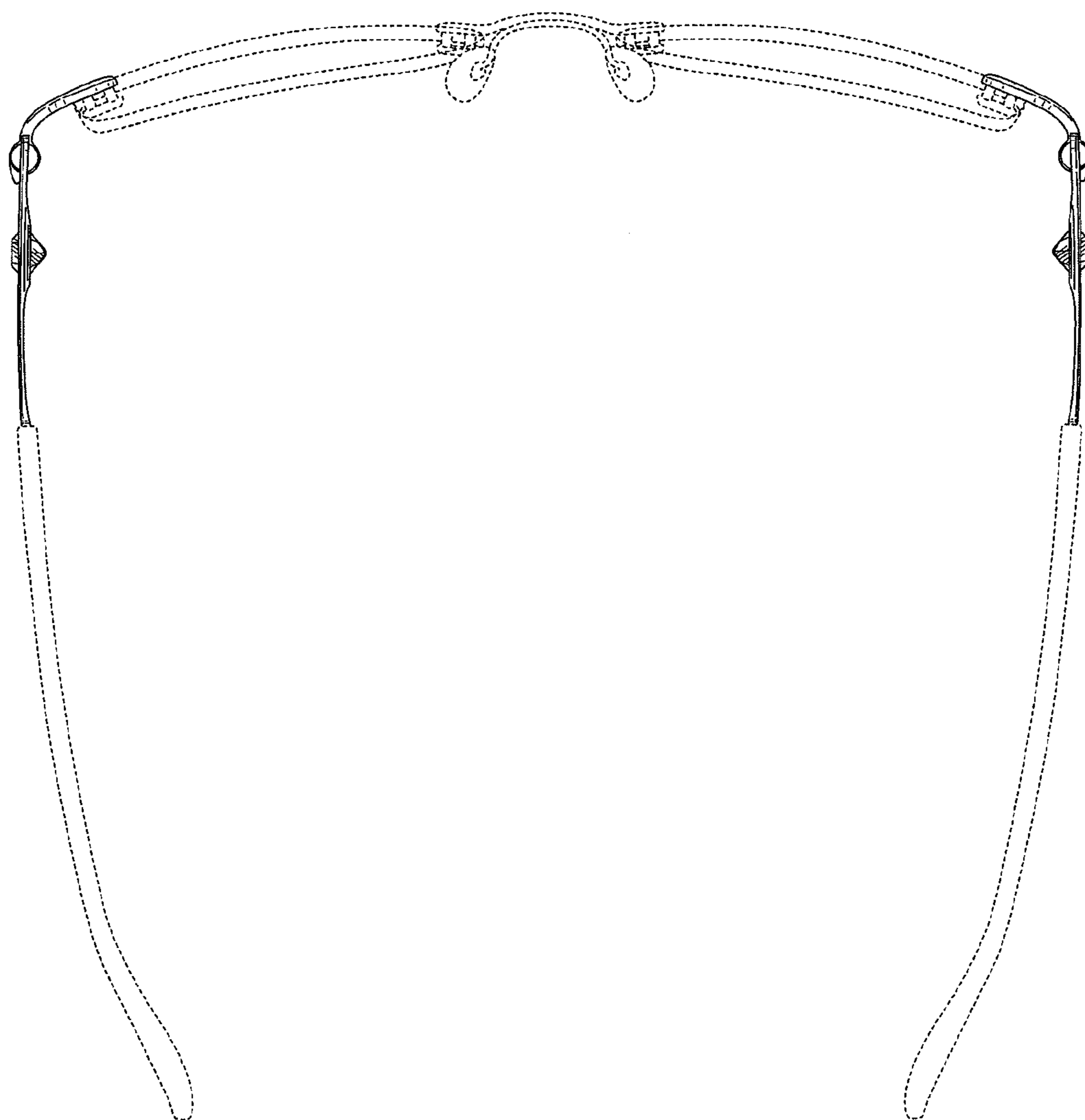


FIG. 3

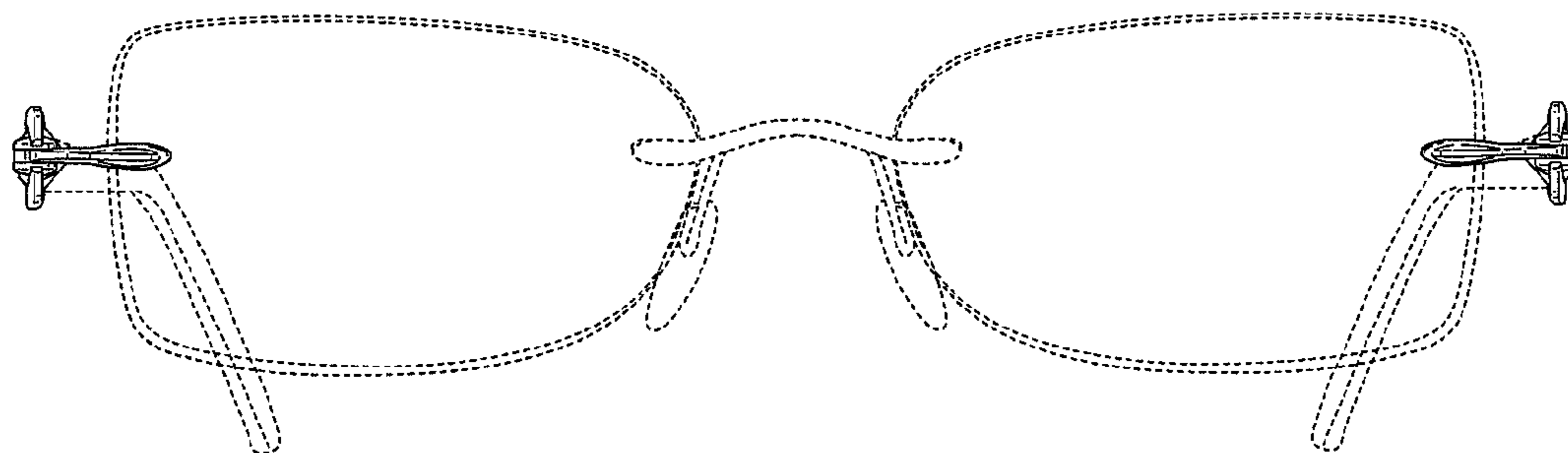


FIG. 4

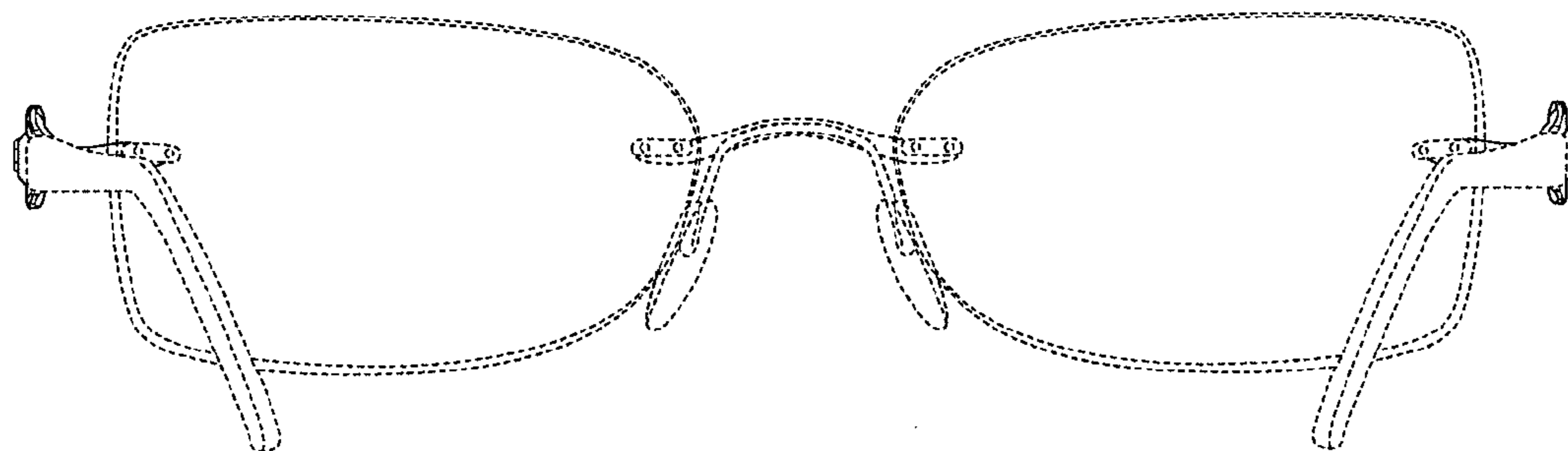


FIG. 5

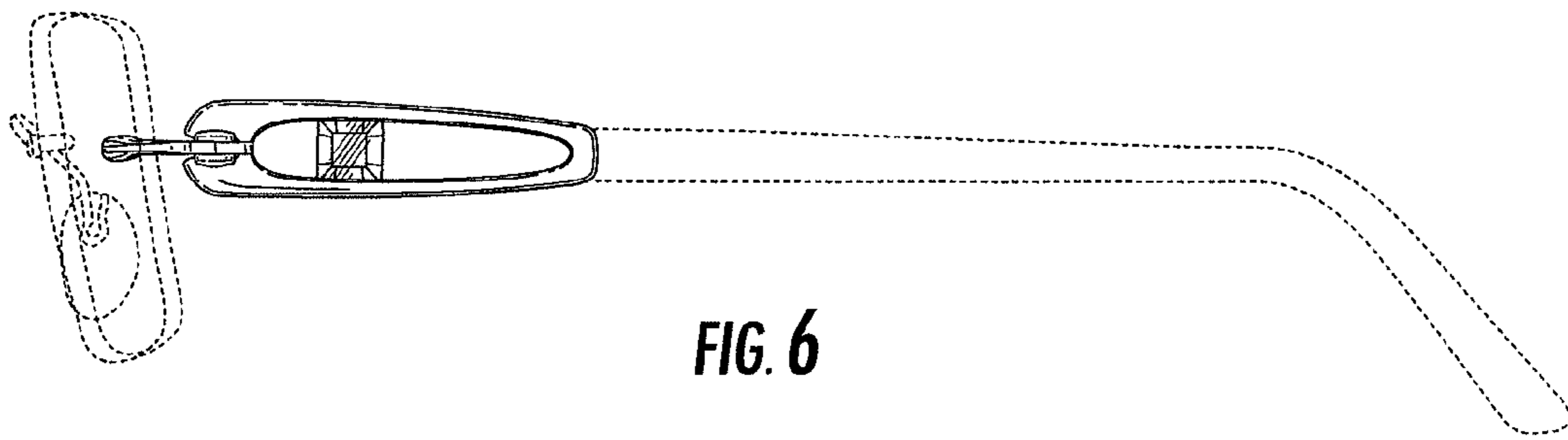


FIG. 6

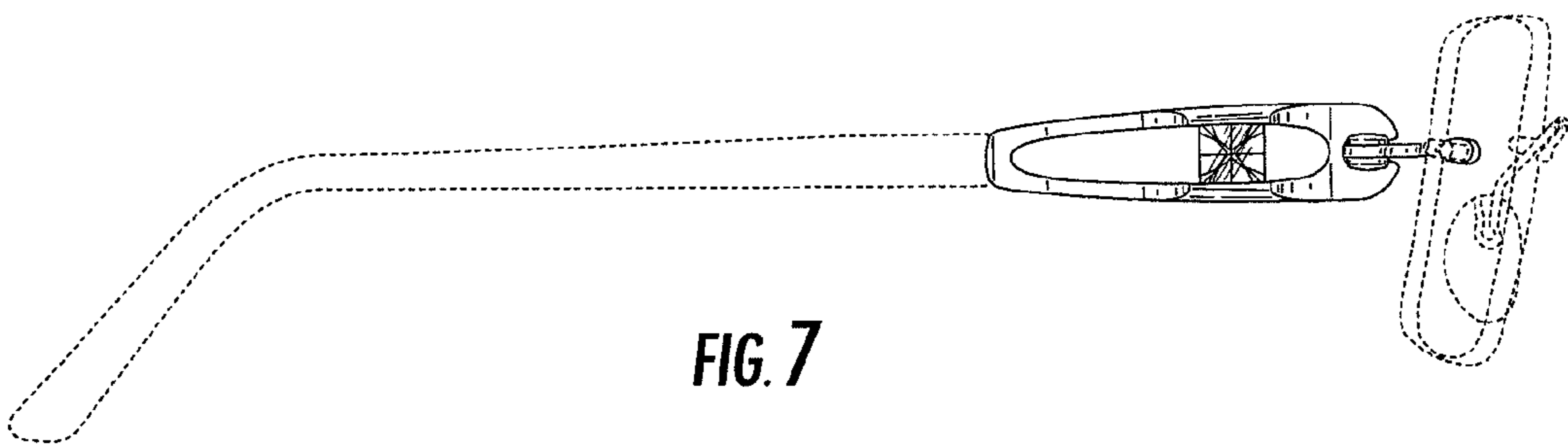


FIG. 7