



US00D671977S

(12) **United States Design Patent**
Seo et al.

(10) **Patent No.:** **US D671,977 S**
(45) **Date of Patent:** **** Dec. 4, 2012**

(54) **STAND FOR GLASSES FOR WATCHING 3D IMAGE**

(75) Inventors: **Young-Jin Seo**, Seoul (KR); **Sung-Jin Ann**, Seoul (KR)

(73) Assignee: **Samsung Electronics Co., Ltd.**, Gyeonggi-do (KR)

(**) Term: **14 Years**

(21) Appl. No.: **29/428,689**

(22) Filed: **Aug. 2, 2012**

(30) **Foreign Application Priority Data**

Feb. 22, 2012 (KR) 30-2012-0008207

(51) **LOC (9) Cl.** **16-06**

(52) **U.S. Cl.** **D16/300; D16/309**

(58) **Field of Classification Search** D16/101,
D16/300-342, 900; D29/109-110; D24/110.2;
351/41, 44, 51-52, 62, 158, 92, 103-123,
351/140, 153, 45-46; 2/426-432, 447-449,
2/441, 434-437, 13, 15; D21/483, 659-661;
D14/372

See application file for complete search history.

(56) **References Cited**

U.S. PATENT DOCUMENTS

D106,758 S * 11/1937 Brewer D16/133
4,478,498 A * 10/1984 Ohno D16/133
4,679,916 A * 7/1987 Roller et al. 2/426
D300,476 S * 3/1989 Sestak D16/309

* cited by examiner

Primary Examiner — Raphael Barkai

(74) *Attorney, Agent, or Firm* — Flynn, Thiel, Boutell & Tanis, P.C.

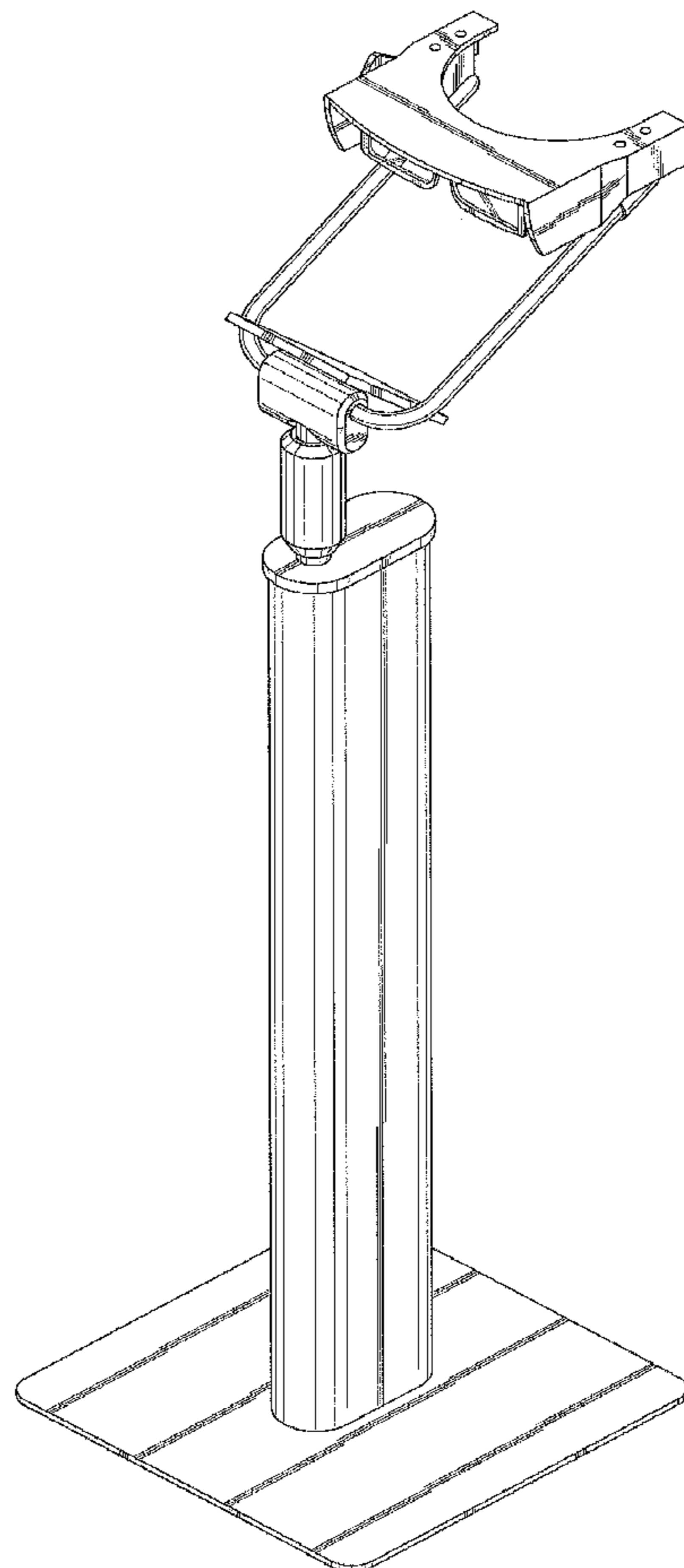
(57) **CLAIM**

The ornamental design for a stand for glasses for watching 3D image, as shown and described.

DESCRIPTION

FIG. 1 is a top front perspective view of a stand for glasses for watching 3D image showing our new design; FIG. 2 is a front elevational view thereof; FIG. 3 is a rear elevational view thereof; FIG. 4 is a left side elevational view thereof; FIG. 5 is a right side elevational view thereof; FIG. 6 is a top plan view thereof; and, FIG. 7 is a bottom plan view thereof.

1 Claim, 4 Drawing Sheets



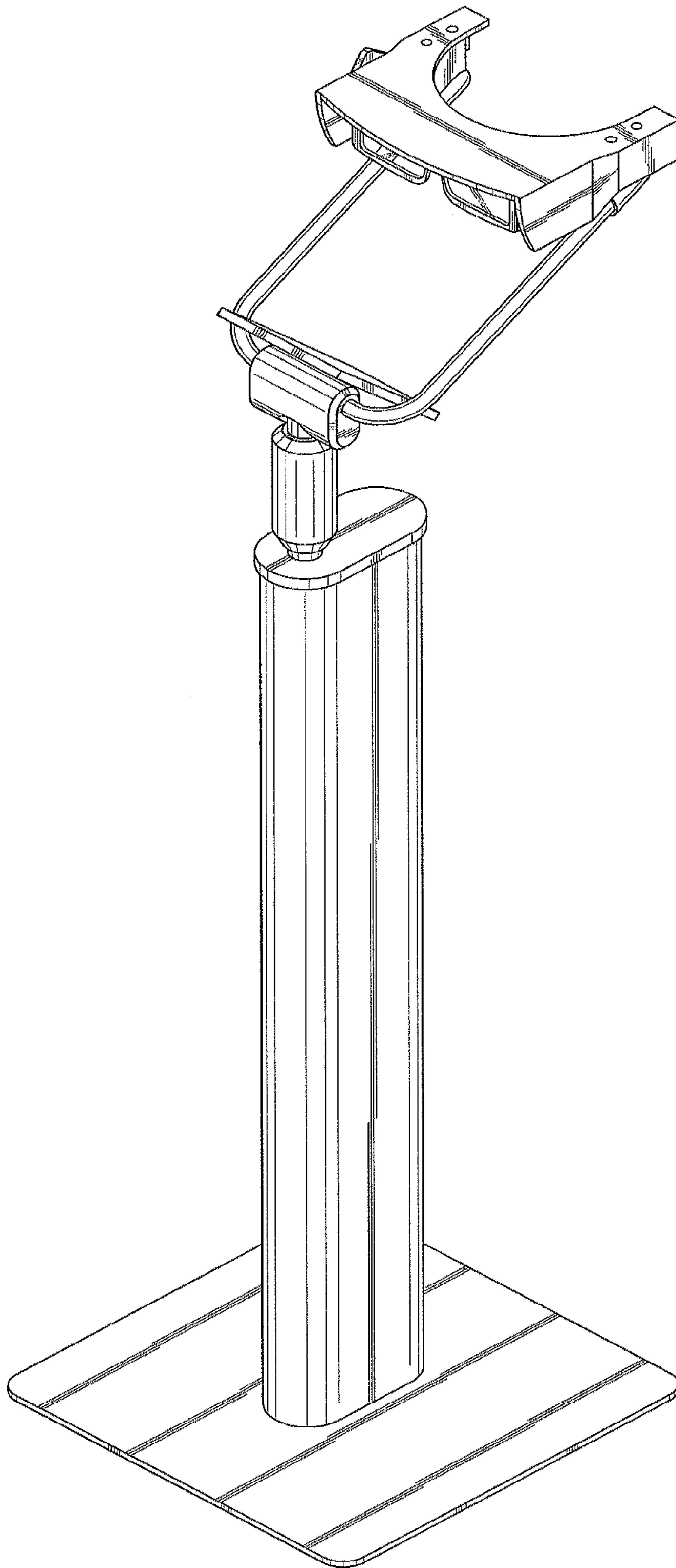


FIG.1

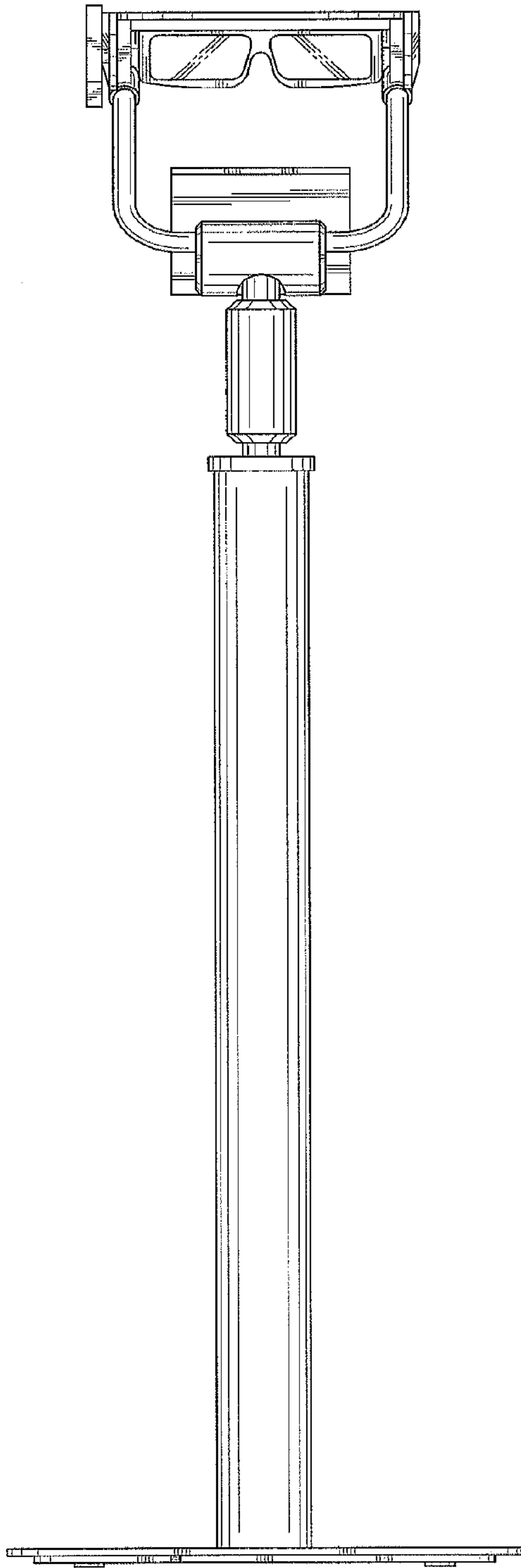


FIG. 2

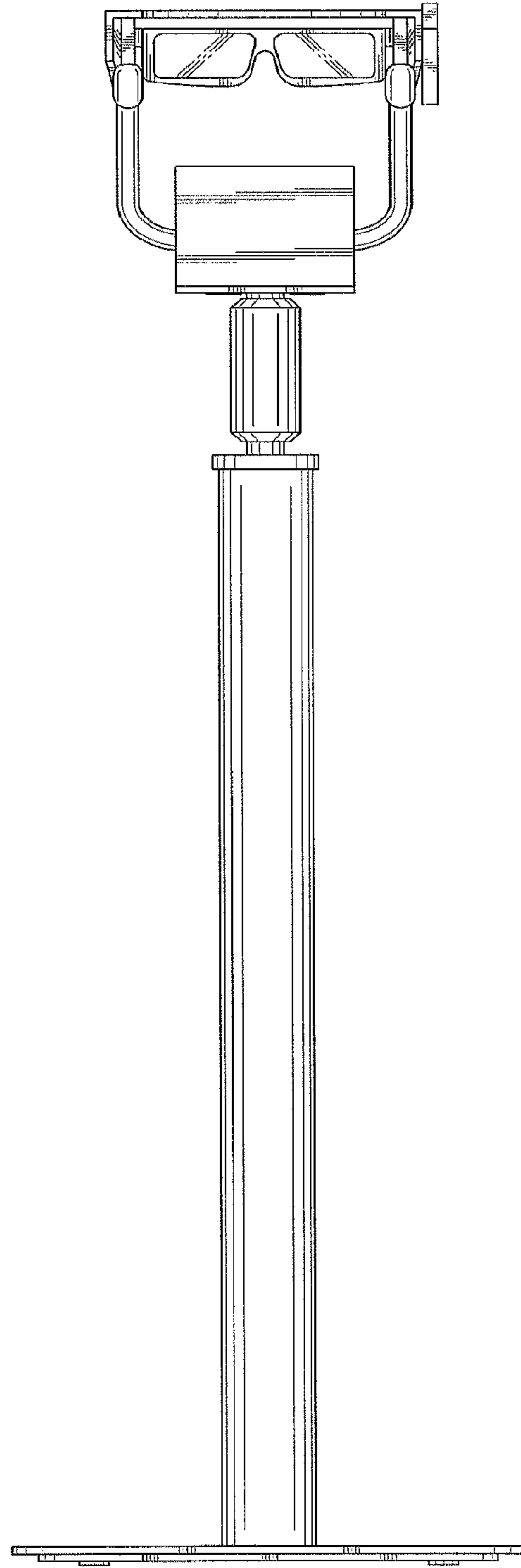


FIG. 3

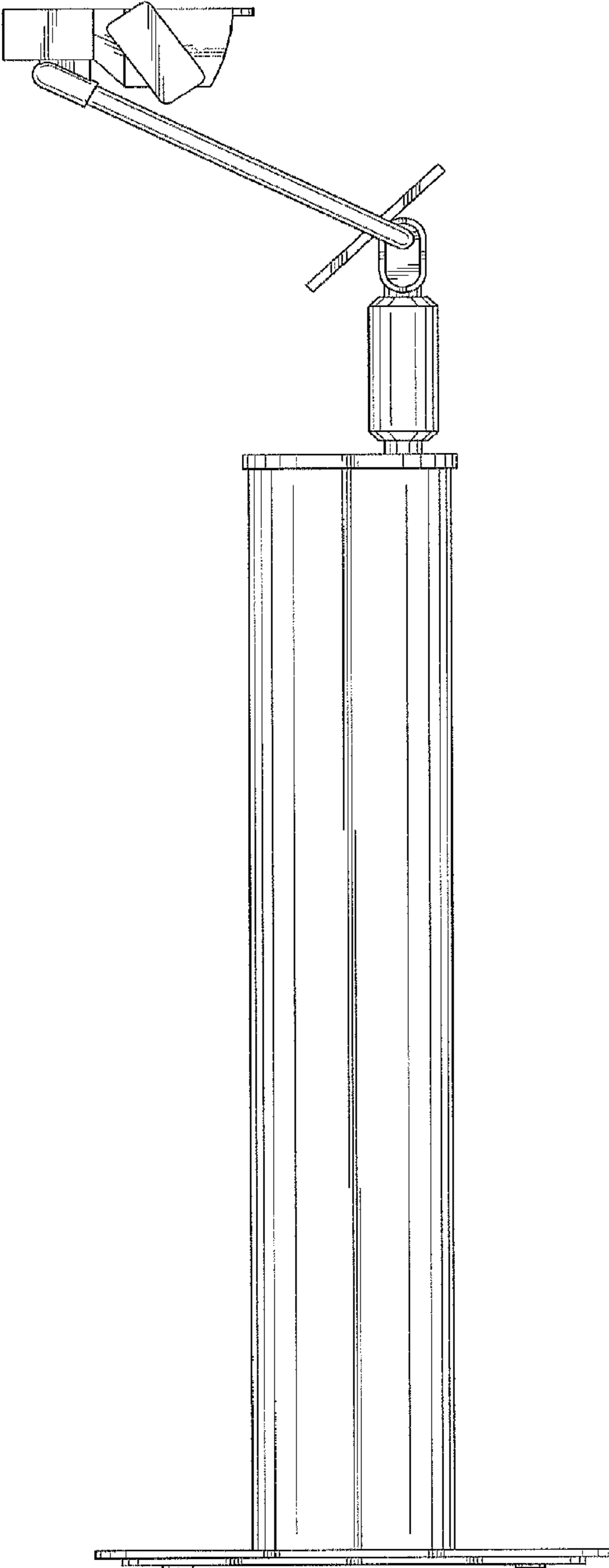


FIG.4

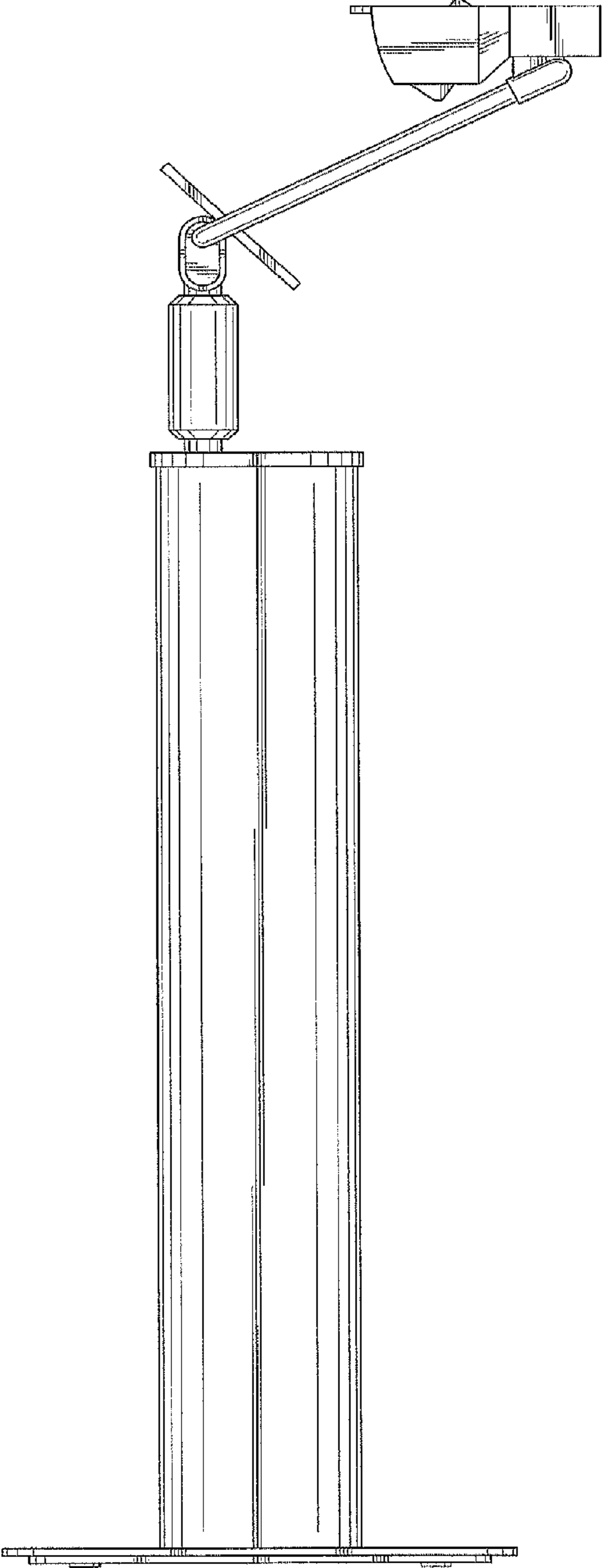


FIG.5

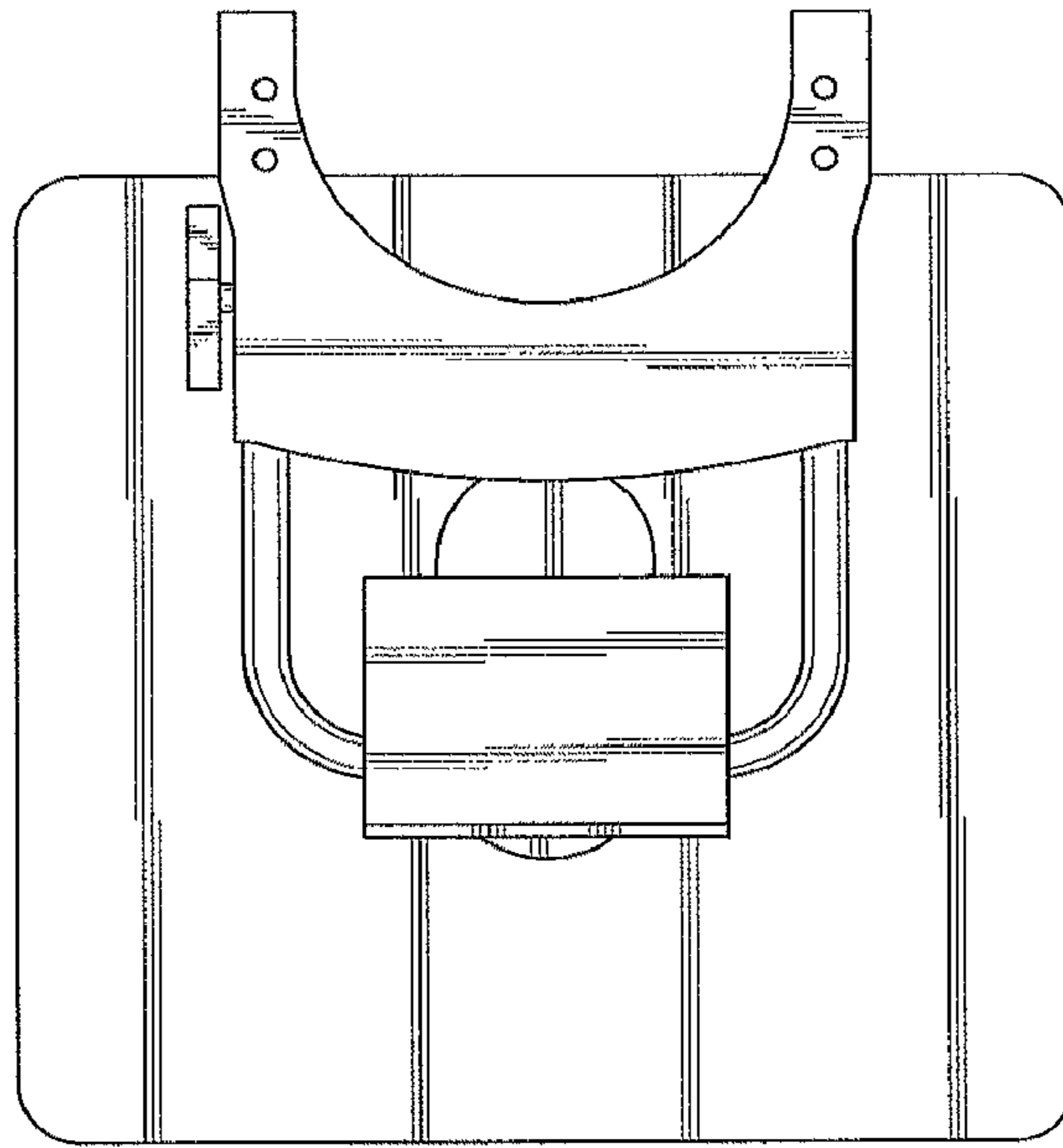


FIG. 6

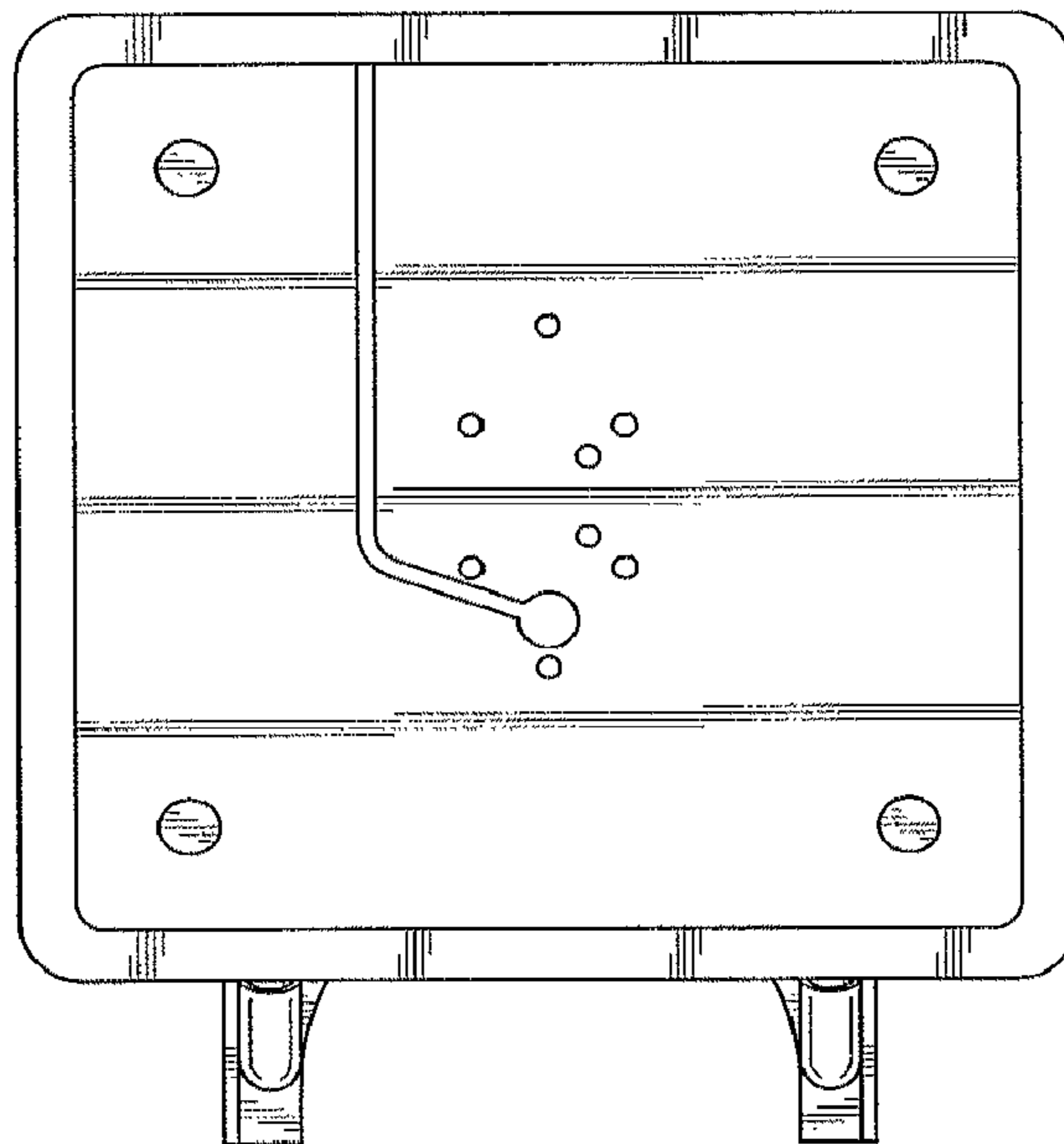


FIG. 7