



US00D671976S

(12) **United States Design Patent**
Akita et al.

(10) **Patent No.:** **US D671,976 S**
(45) **Date of Patent:** **** Dec. 4, 2012**

- (54) **CAMERA**
- (75) Inventors: **Miho Akita**, Tokyo (JP); **Katsuhisa Hakoda**, Tokyo (JP)
- (73) Assignee: **Sony Corporation**, Tokyo (JP)
- (**) Term: **14 Years**
- (21) Appl. No.: **29/371,594**
- (22) Filed: **May 6, 2011**
- (51) **LOC (9) Cl.** **16-05**
- (52) **U.S. Cl.** **D16/219**
- (58) **Field of Classification Search** D16/200,
D16/202, 204, 208, 212, 218, 219; 348/373,
348/374, 375, 376; 358/909.1; 396/349,
396/448, 535, 536, 537, 538, 539, 540, 541
See application file for complete search history.

7,507,041	B2 *	3/2009	Ueda et al.	396/423
D597,579	S	8/2009	Obata	
D608,812	S *	1/2010	Tainaka	D16/212
D652,853	S *	1/2012	Tsukamoto	D16/202
D654,943	S *	2/2012	Ogasawara et al.	D16/219

FOREIGN PATENT DOCUMENTS

JP D1223912 S 10/2004

* cited by examiner

Primary Examiner — Cynthia Underwood

(74) *Attorney, Agent, or Firm* — Rader, Fishman & Grauer PLLC

(57) **CLAIM**

The ornamental design for a camera, as shown and described.

DESCRIPTION

FIG. 1 is a perspective view of a camera showing our new design;

FIG. 2 is a front elevational view thereof;

FIG. 3 is a rear elevational view thereof;

FIG. 4 is a left side elevational view thereof;

FIG. 5 is a right side elevational view thereof; and,

FIG. 6 is a top plan view thereof.

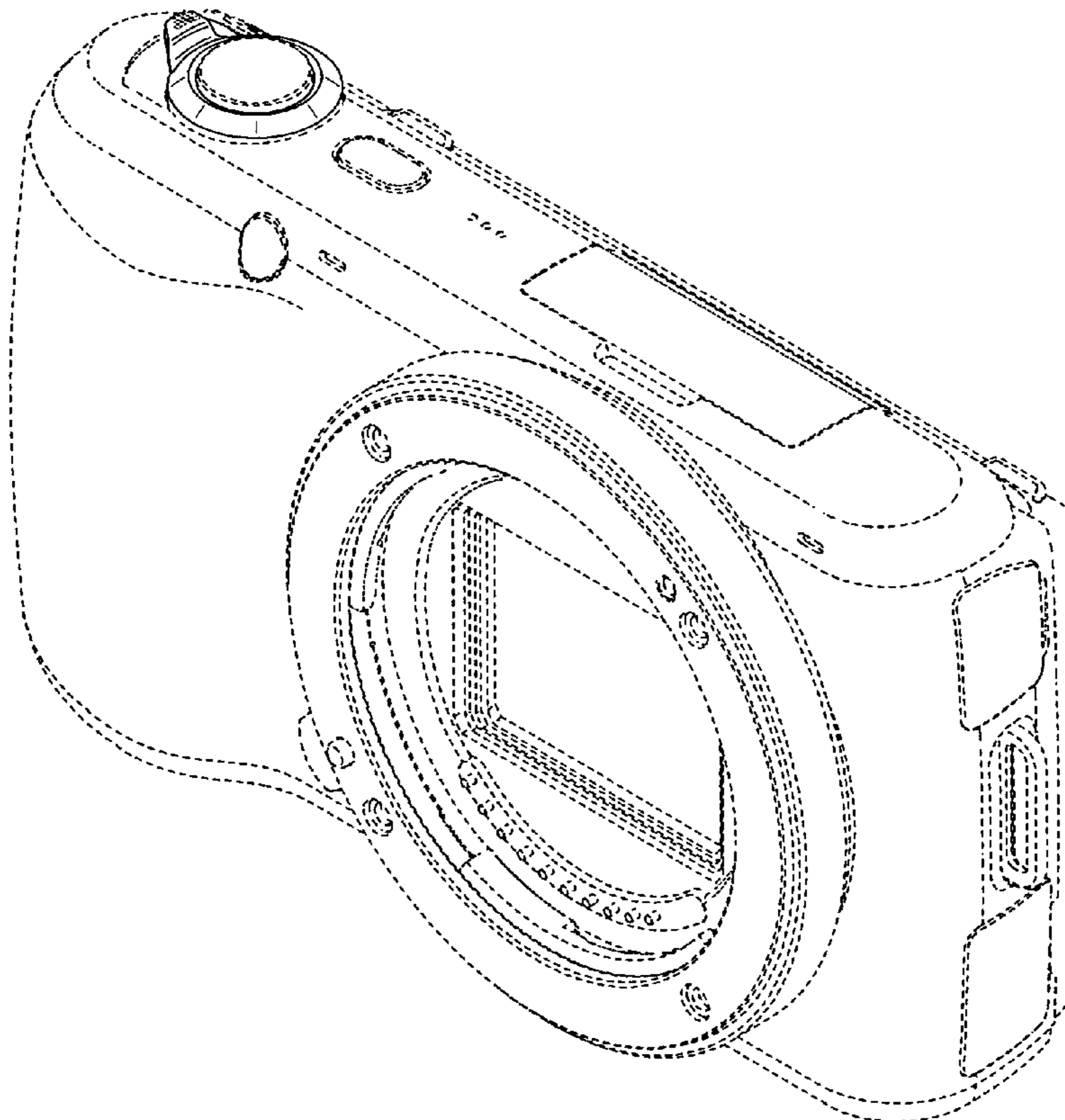
Portions in broken lines are for illustrative purposes only and form no part of claimed design.

1 Claim, 5 Drawing Sheets

(56) **References Cited**

U.S. PATENT DOCUMENTS

D403,687	S	1/1999	Sekita	
D435,572	S	12/2000	Maeyama	
D444,161	S	6/2001	Nakamura	
D445,438	S	7/2001	Kubota	
D528,578	S	9/2006	Yasutomi	
D528,579	S *	9/2006	Yasutomi	D16/202
D539,319	S	3/2007	Masamitsu et al.	
D589,073	S *	3/2009	Hibi	D16/218



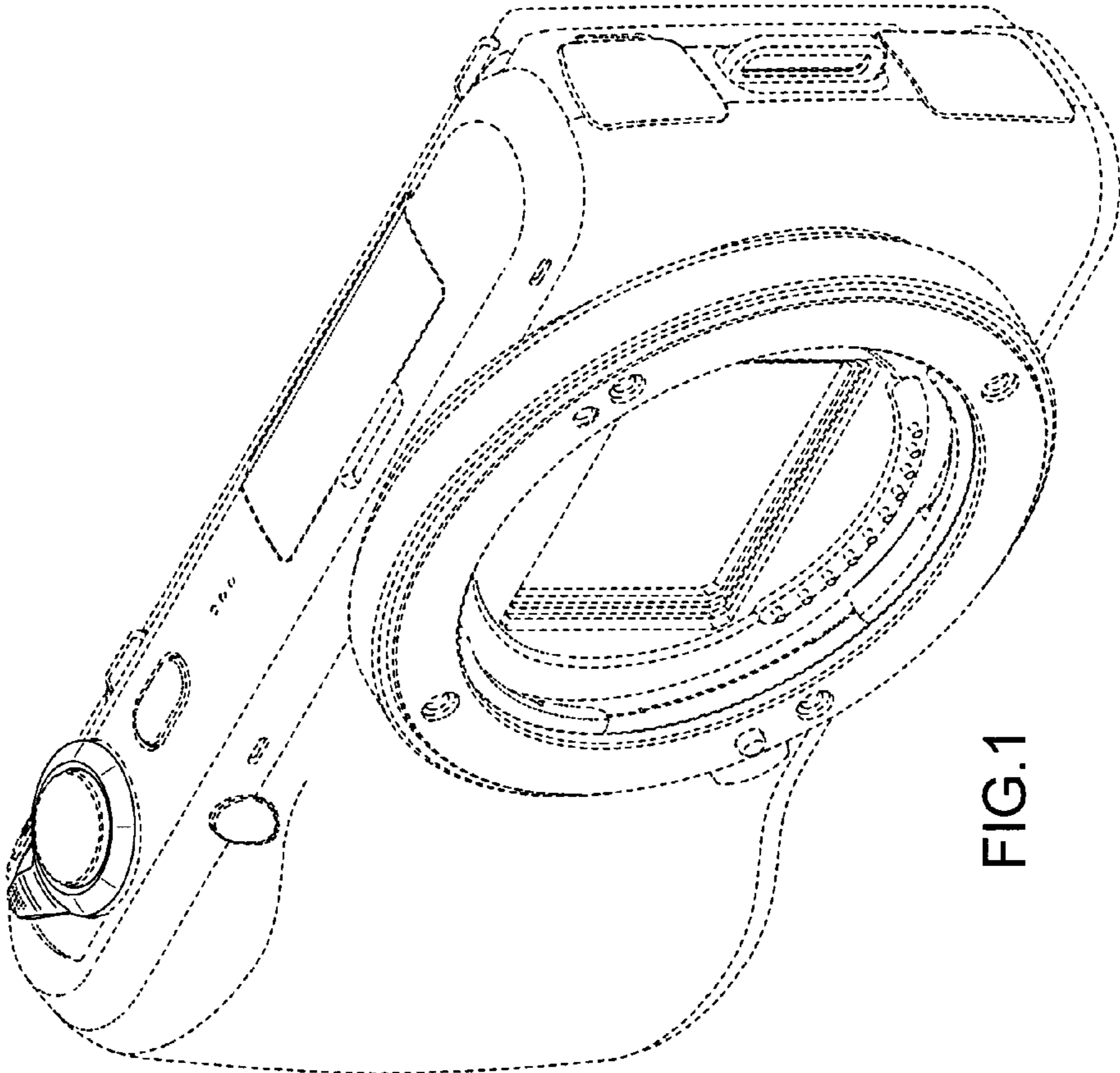


FIG.1

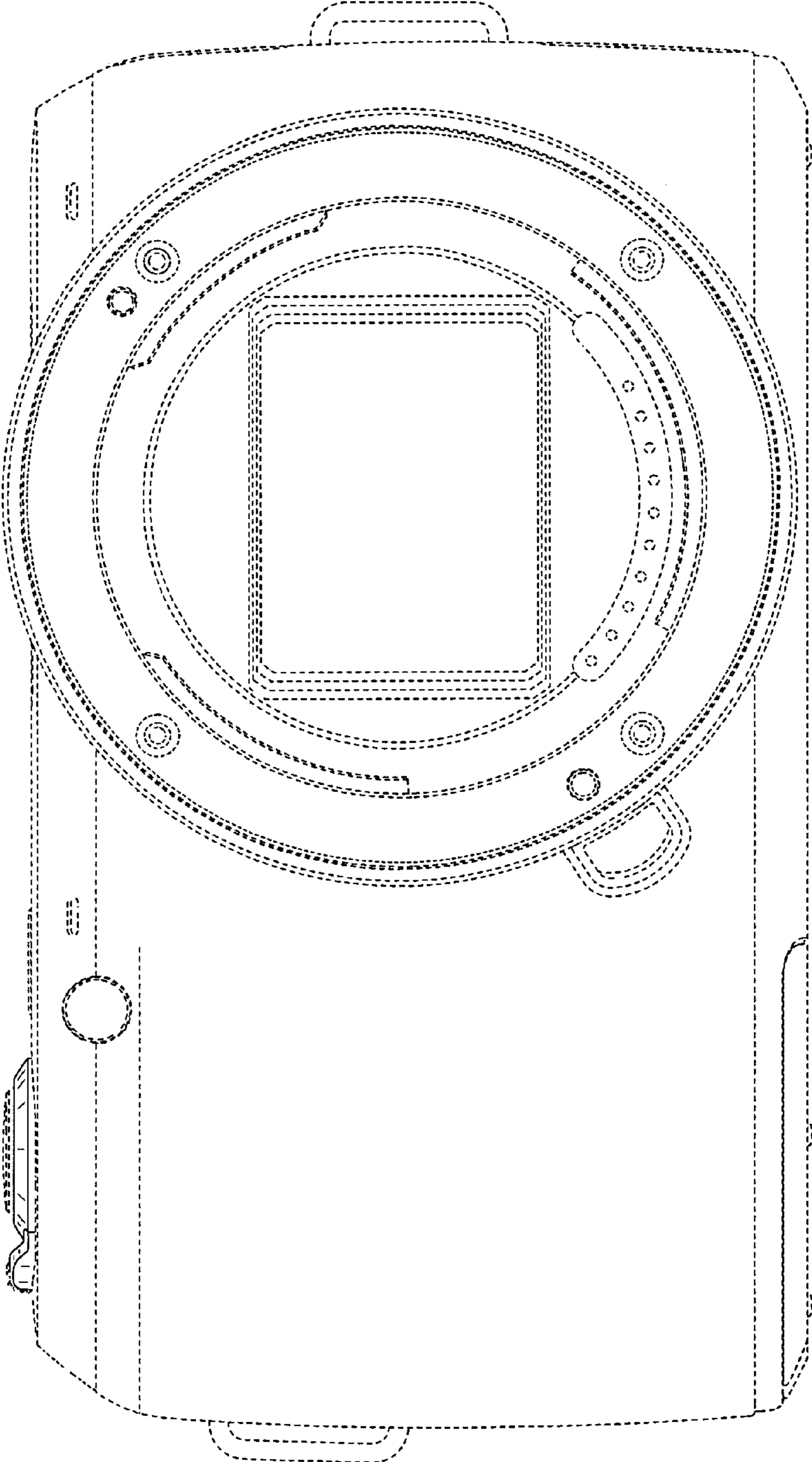


FIG.2

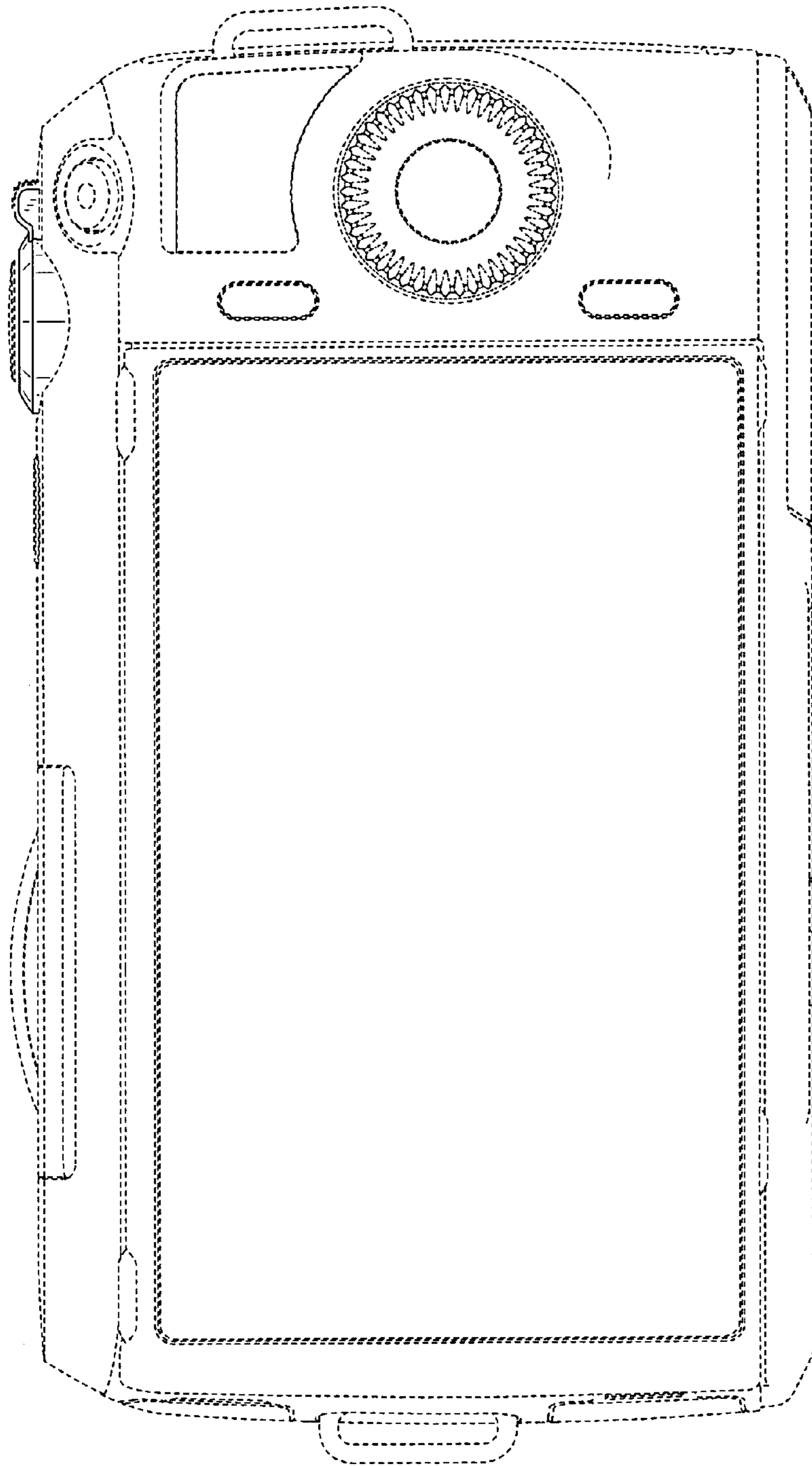


FIG.3

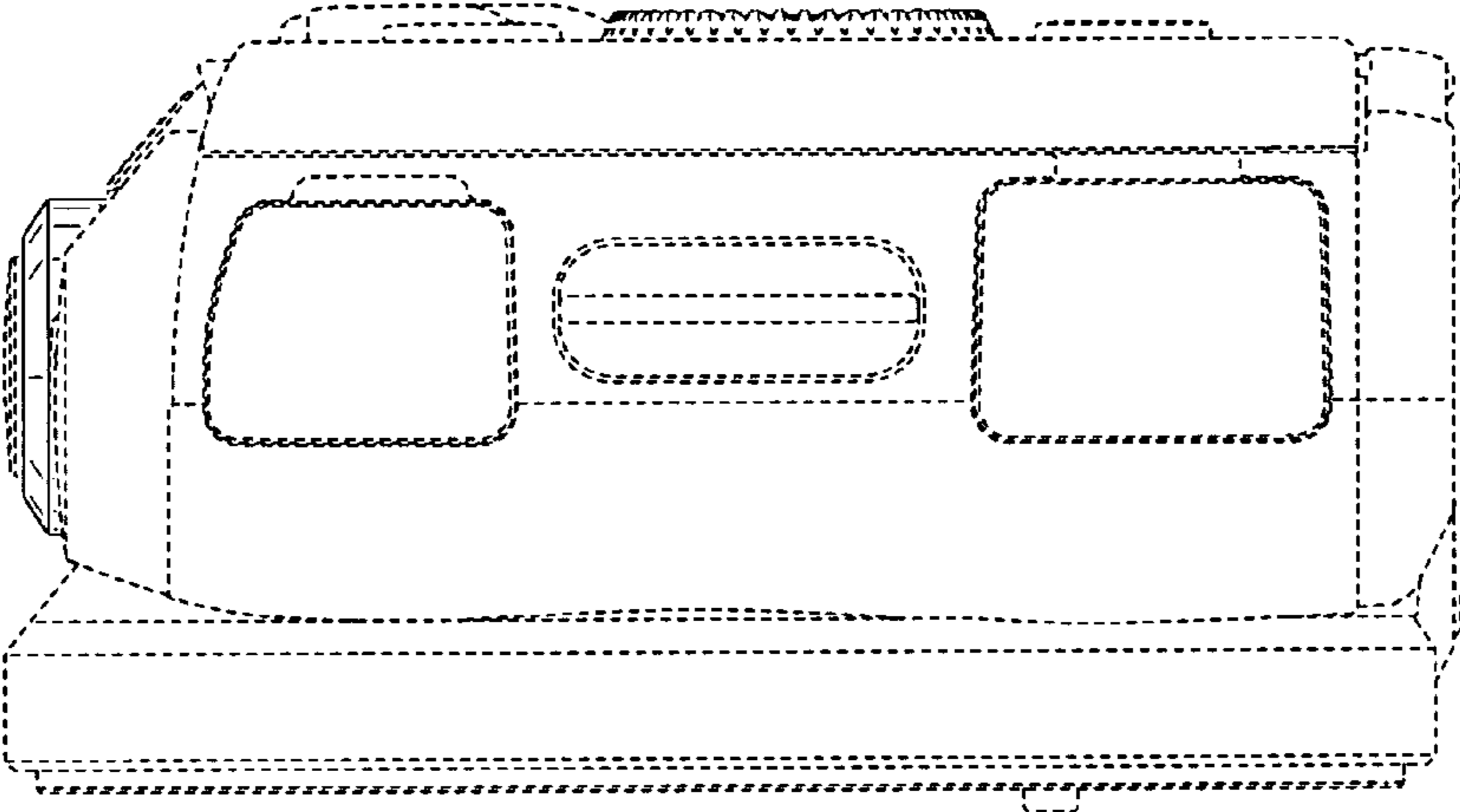


FIG. 5

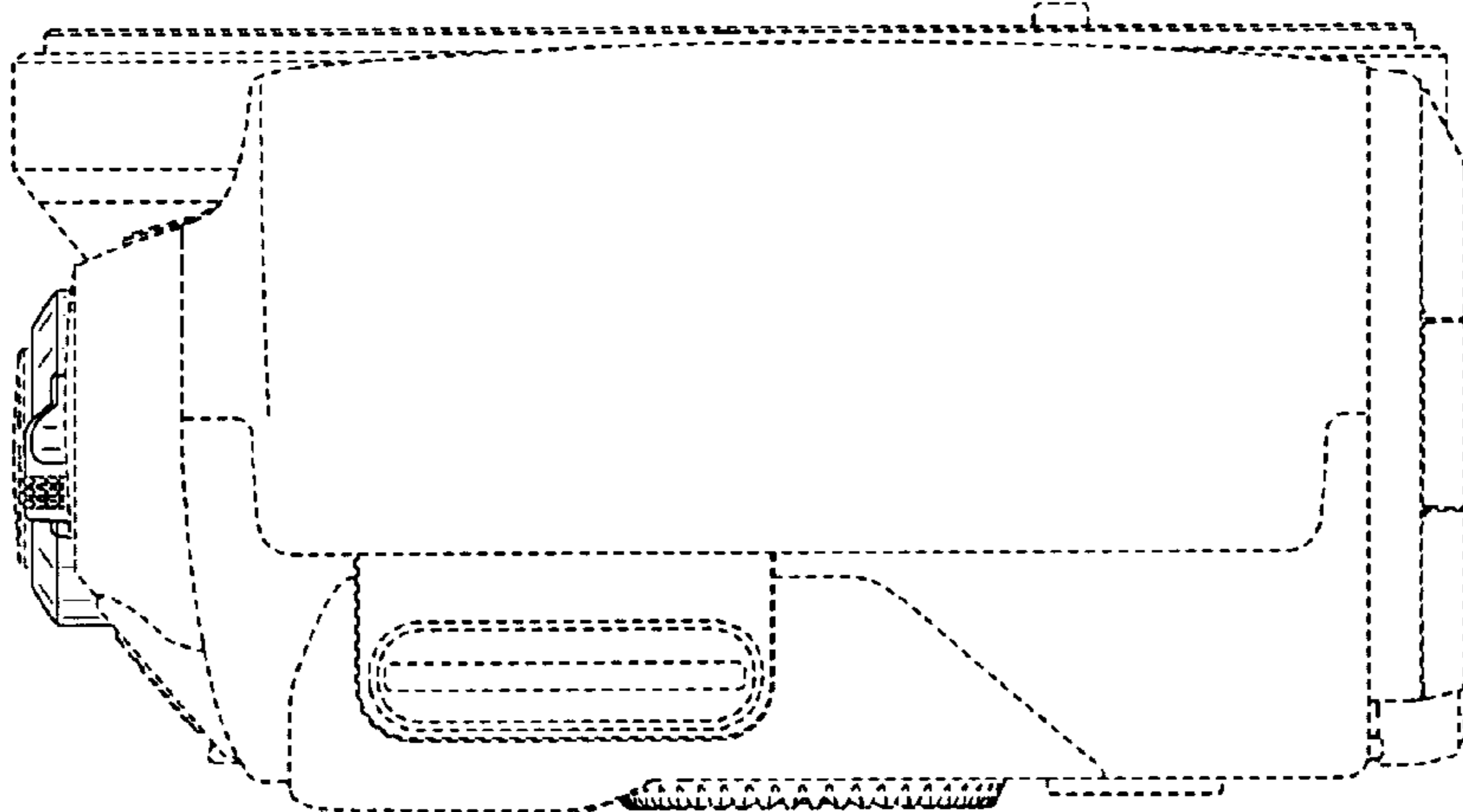


FIG. 4

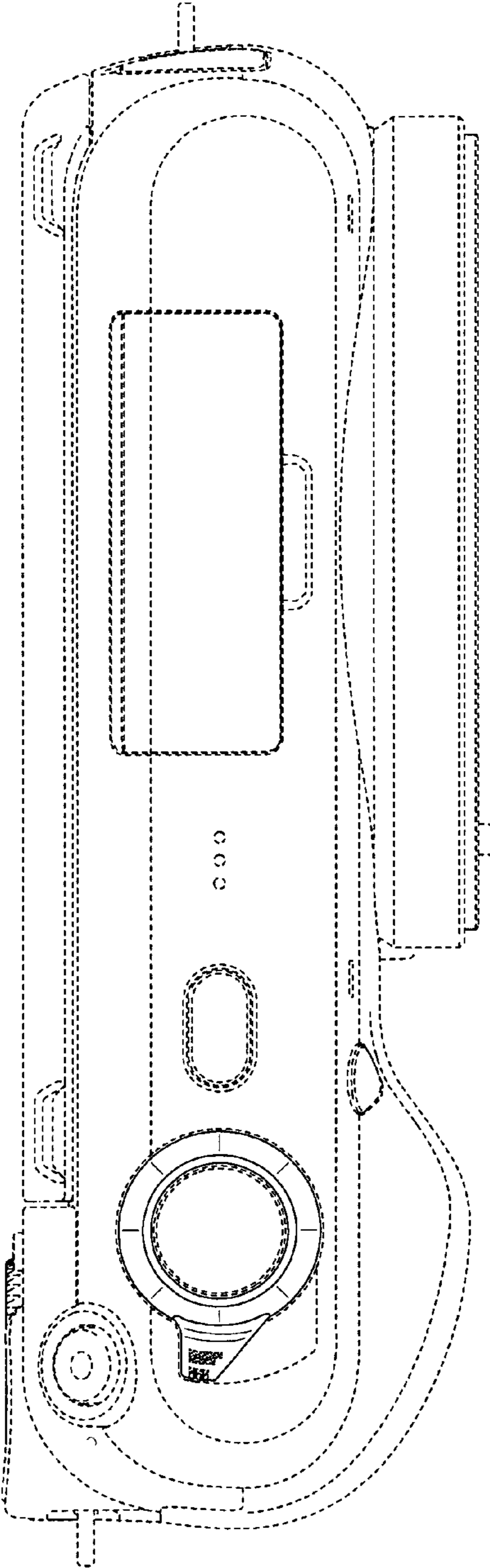


FIG. 6