



US00D671975S

(12) **United States Design Patent**
Siann et al.

(10) **Patent No.:** **US D671,975 S**

(45) **Date of Patent:** **** Dec. 4, 2012**

(54) **WIRELESS CAMERA**

(75) Inventors: **Jon Siann**, Rancho Santa Fe, CA (US);
Christopher Williams, San Diego, CA (US)

(73) Assignee: **MicroPower Technologies, Inc.**, San Diego, CA (US)

(**) Term: **14 Years**

(21) Appl. No.: **29/408,351**

(22) Filed: **Dec. 12, 2011**

(51) **LOC (9) Cl.** **16-01**

(52) **U.S. Cl.** **D16/203**

(58) **Field of Classification Search** D16/200–205,
D16/218; 348/143, 373–376; 358/906; 396/427,
396/535–541

See application file for complete search history.

(56) **References Cited**

U.S. PATENT DOCUMENTS

D481,407	S	*	10/2003	Alessio	D16/203
D514,150	S	*	1/2006	Muto et al.	D16/203
D515,607	S	*	2/2006	Cheng	D16/203
7,066,663	B2	*	6/2006	Cheng	396/427
D528,144	S	*	9/2006	Takemasa	D16/203
D607,033	S	*	12/2009	Arbuckle et al.	D16/203
D634,345	S	*	3/2011	Kim	D16/203
2010/0296805	A1	*	11/2010	Mayer	348/143

OTHER PUBLICATIONS

“03-Wi-Solar—Winn Solar Fake Security Camera”, 2008, Winn Solar. Accessed on Mar. 20, 2012 at www.homesecuritystore.com.

“EH3508 Series Enclosure—Outdoor, Small”, 2011, Pelco, Inc. By Schneider Electric, Clovis, CA. www.pelco.com.

“Wireless, Solar Powered, Security Camera Systems”, Solar Powered Pole Mounts, 2011, Skyway Security.

* cited by examiner

Primary Examiner — Adir Aronovich

(74) *Attorney, Agent, or Firm* — The Mueller Law Office, PC

(57) **CLAIM**

The ornamental design for a wireless camera, as shown and described.

DESCRIPTION

FIG. 1 is a top, front and left side perspective view of a wireless camera showing our new design;

FIG. 2 is a left side elevational view thereof;

FIG. 3 is right side elevational view thereof;

FIG. 4 is a front elevational view thereof;

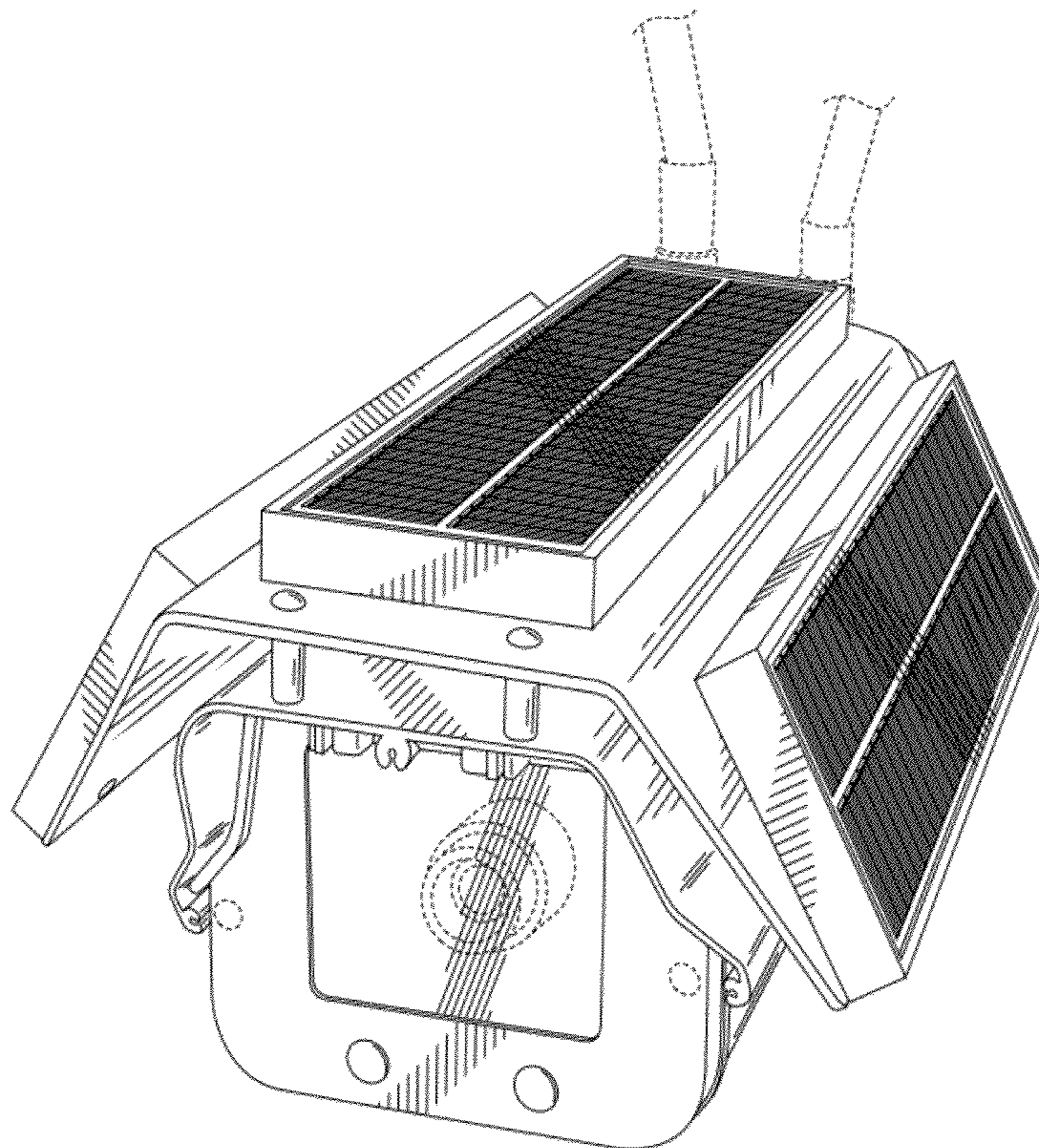
FIG. 5 is a rear elevational view thereof;

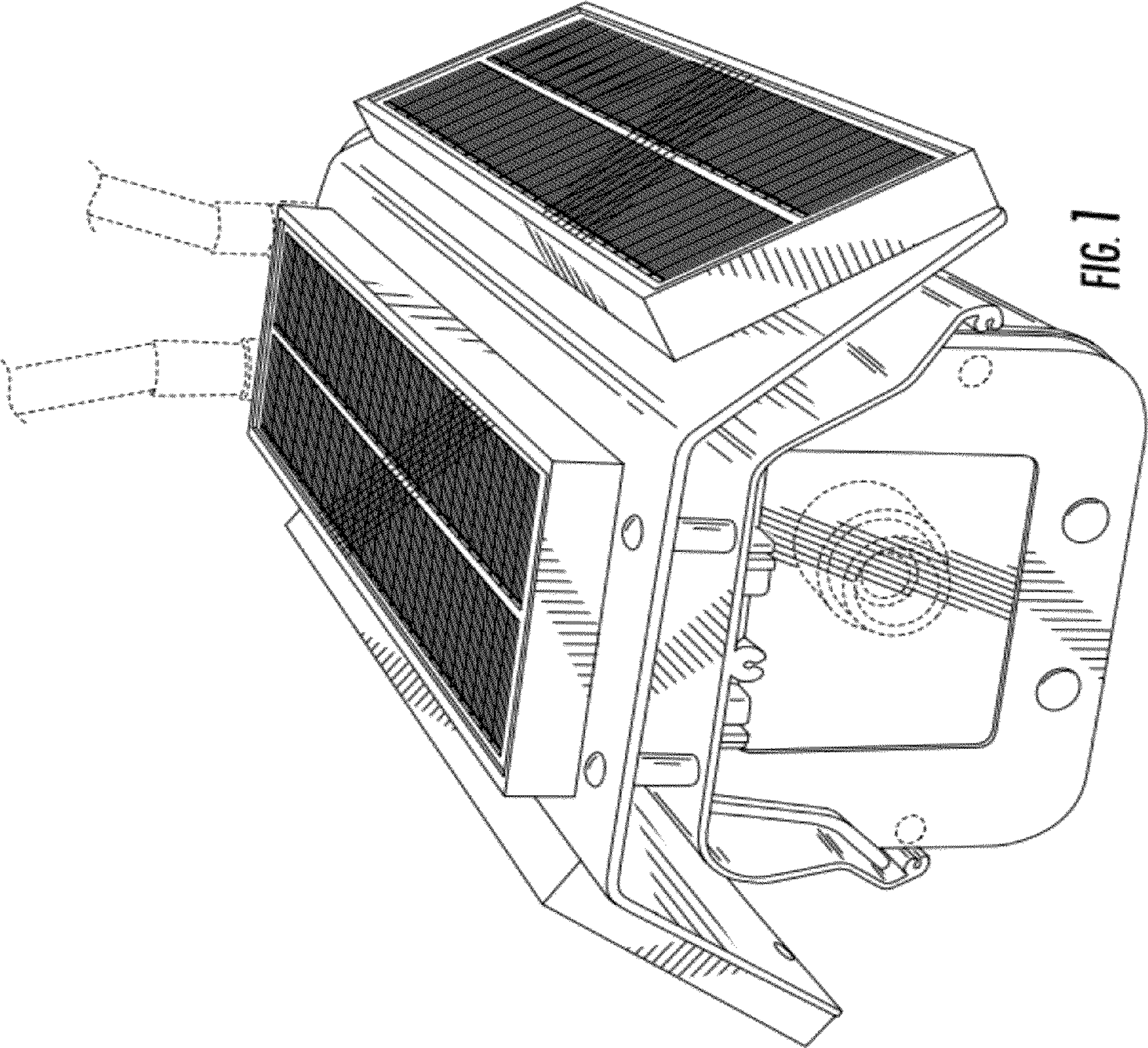
FIG. 6 is a top plan thereof; and,

FIG. 7 is bottom plan view thereof.

The portions of the camera in broken lines are shown for illustrative purposes only and form no part of the claimed design.

1 Claim, 7 Drawing Sheets





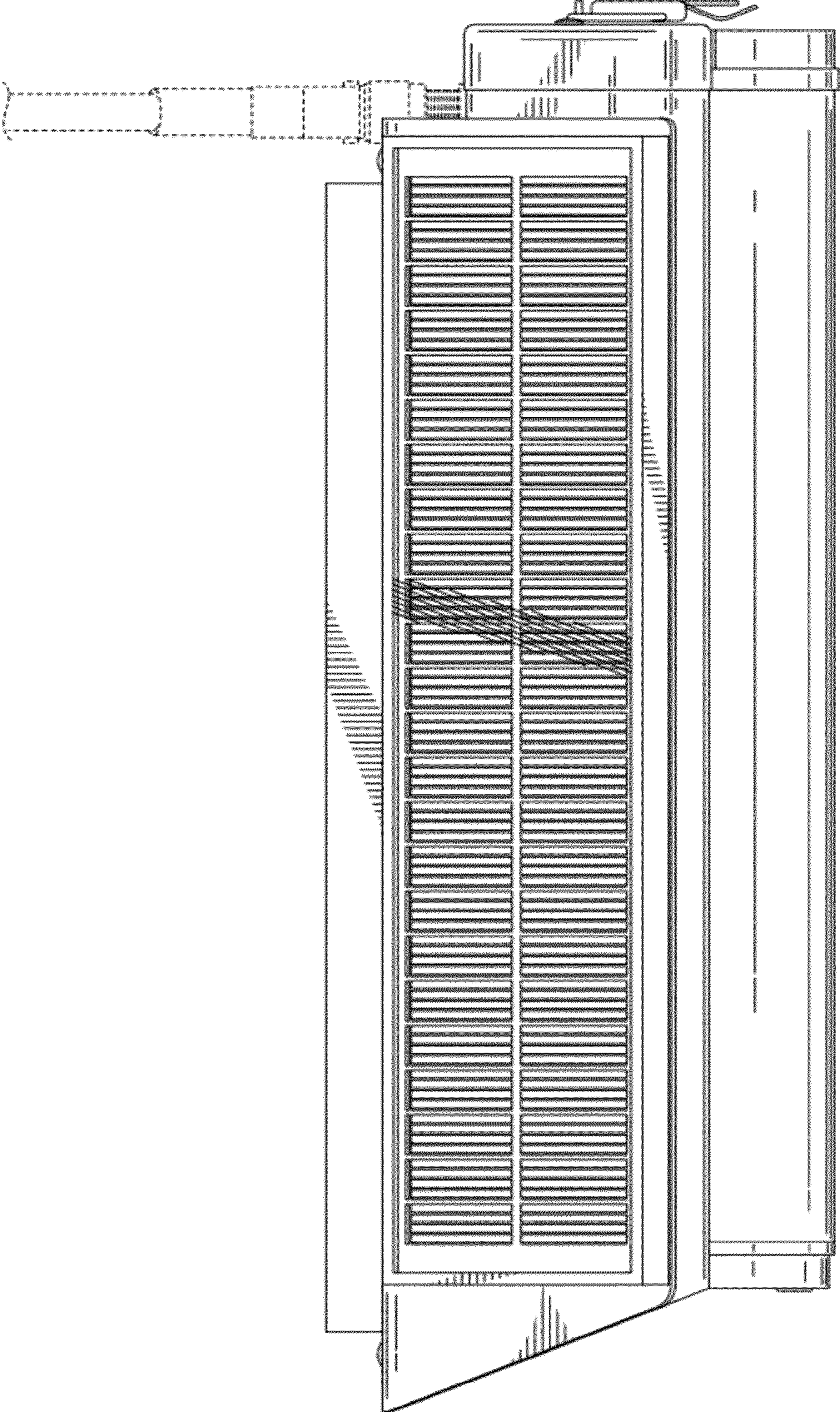


FIG. 2

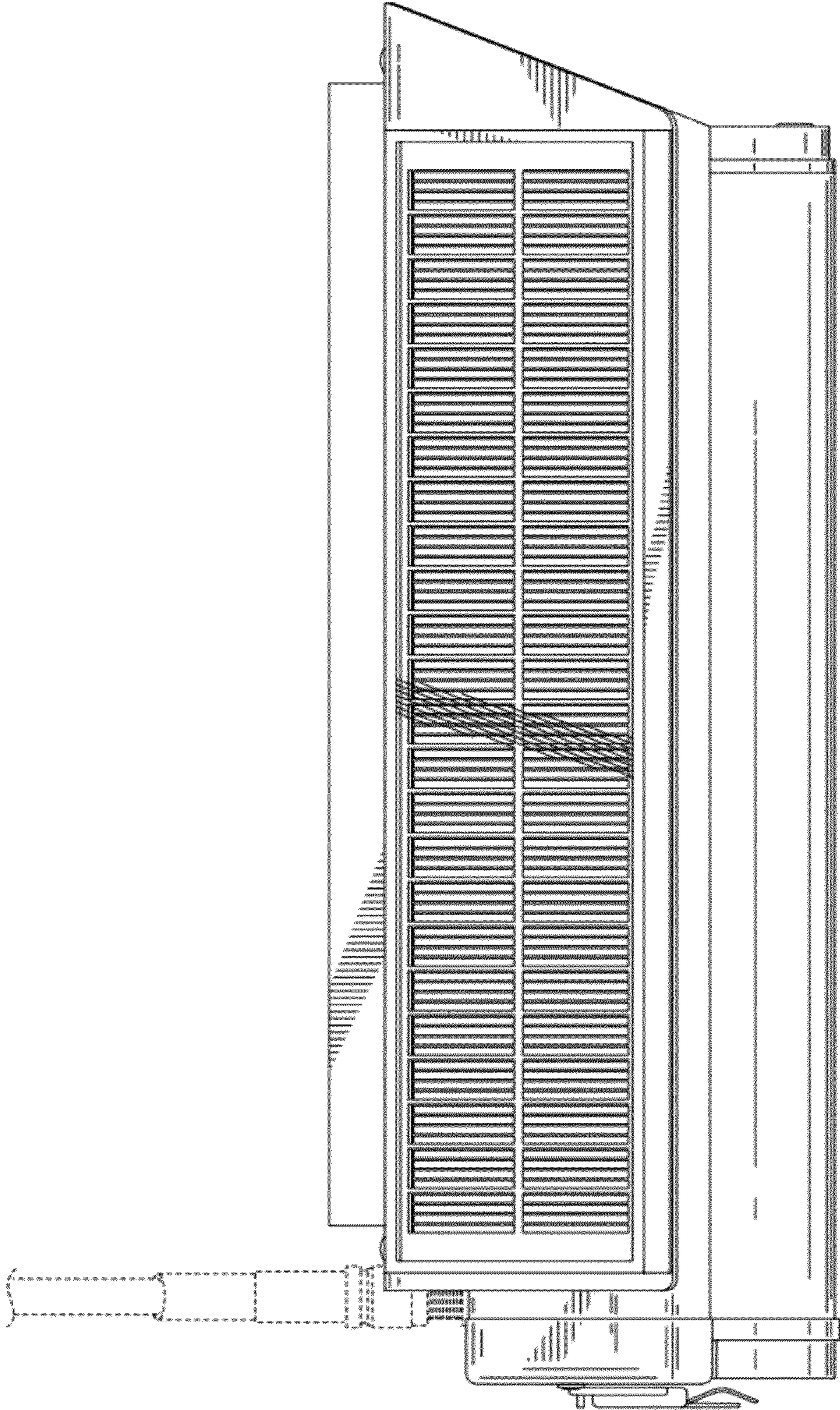


FIG. 3

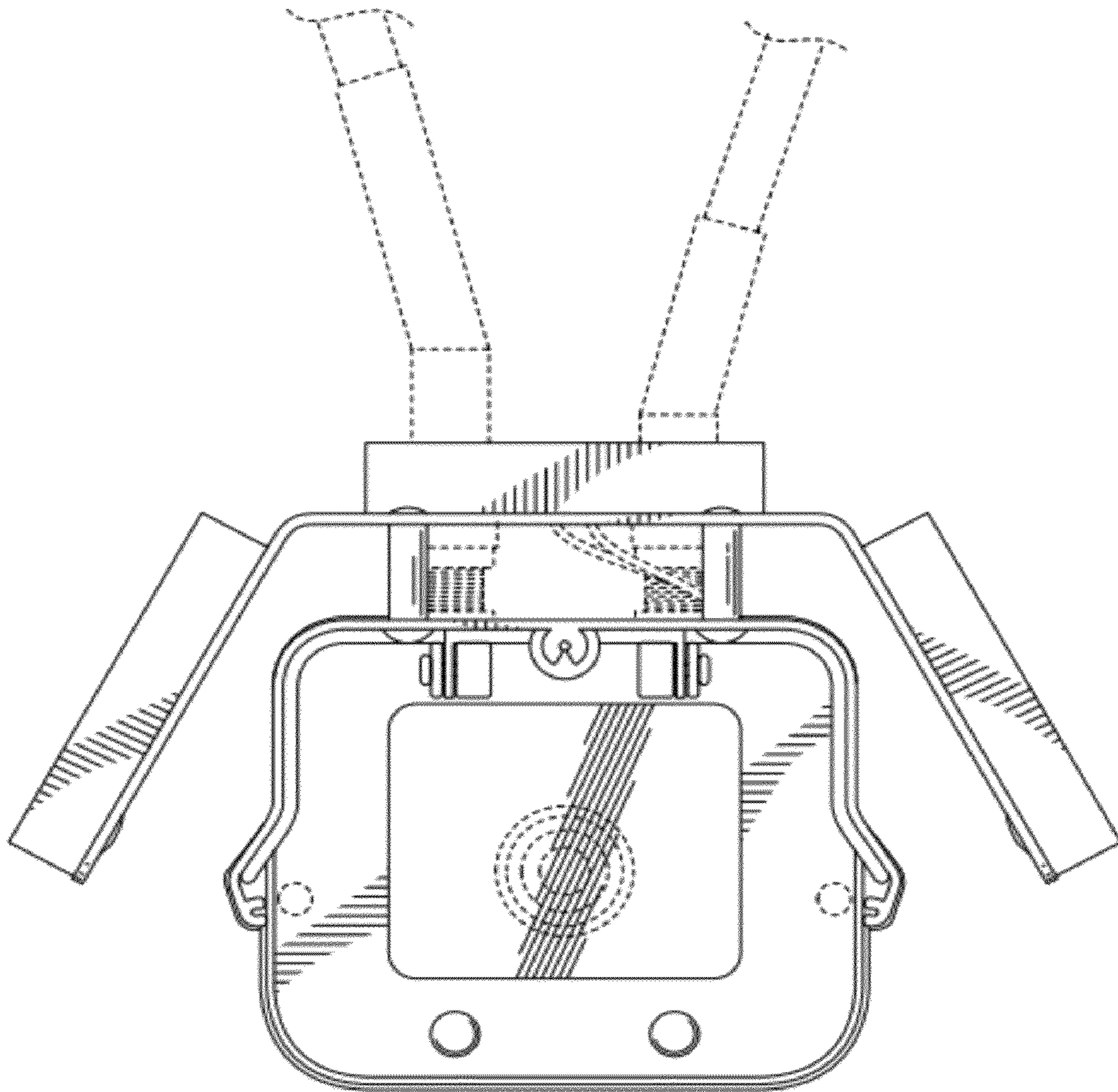


FIG. 4

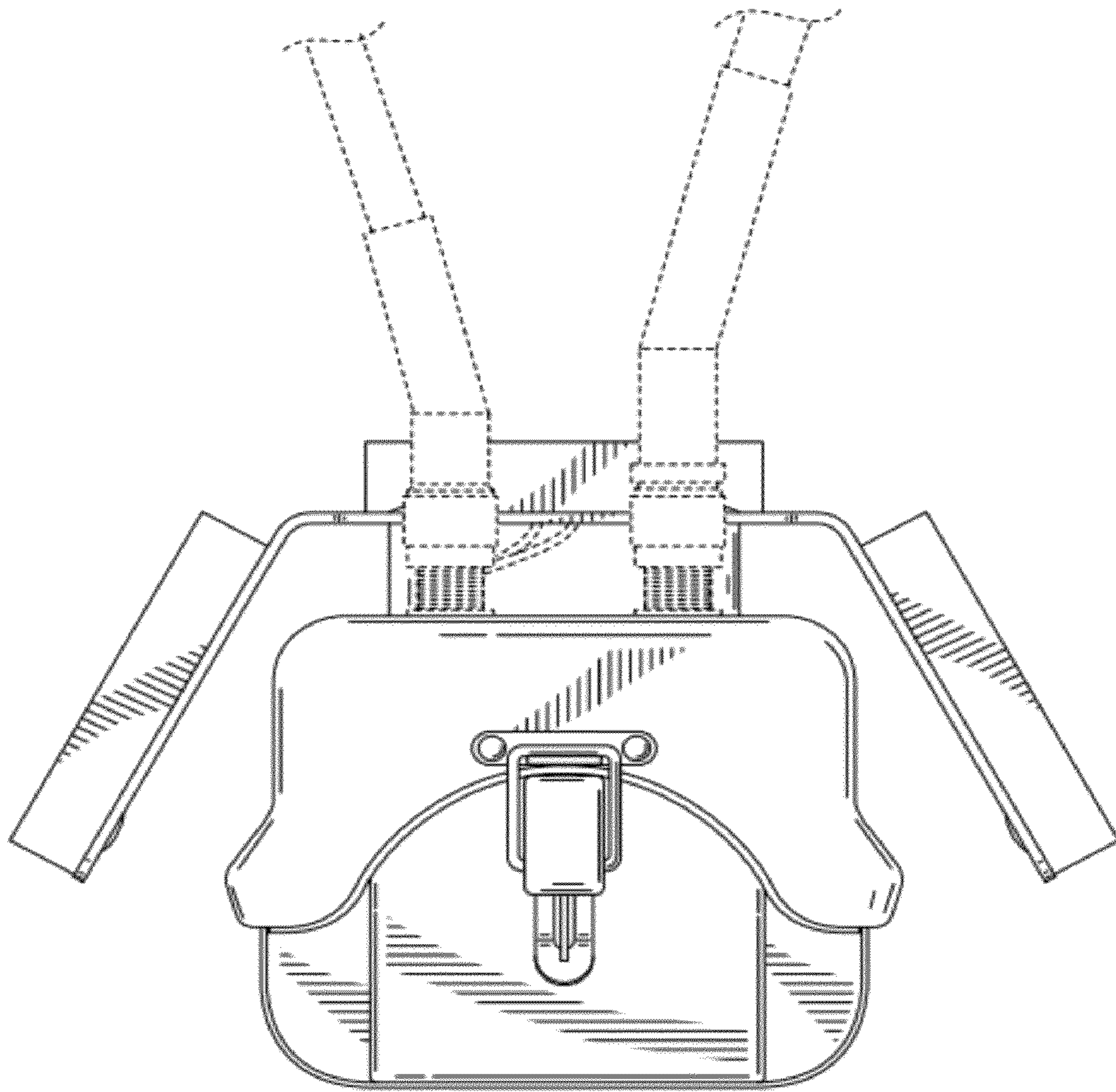


FIG. 5

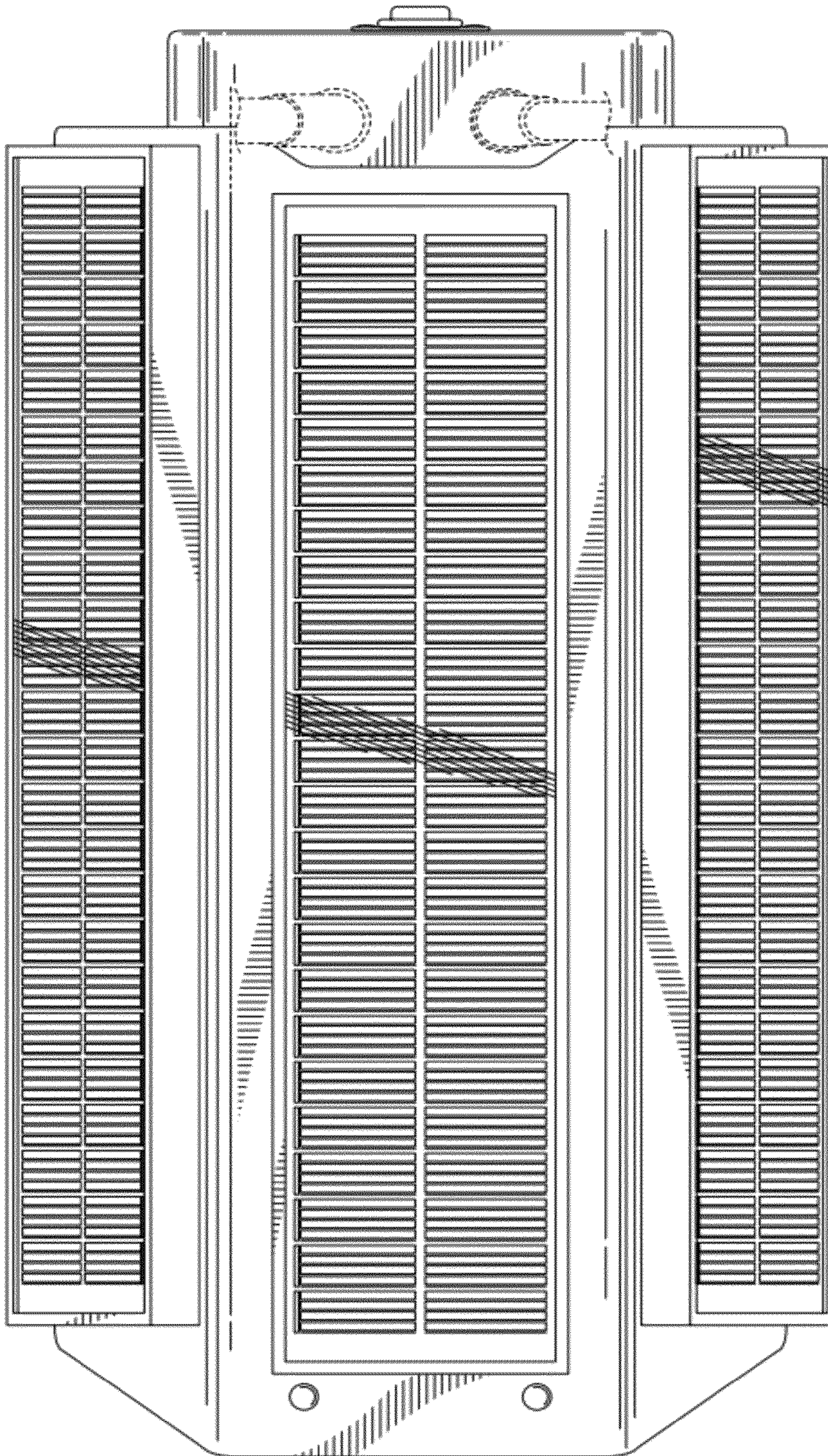


FIG. 6

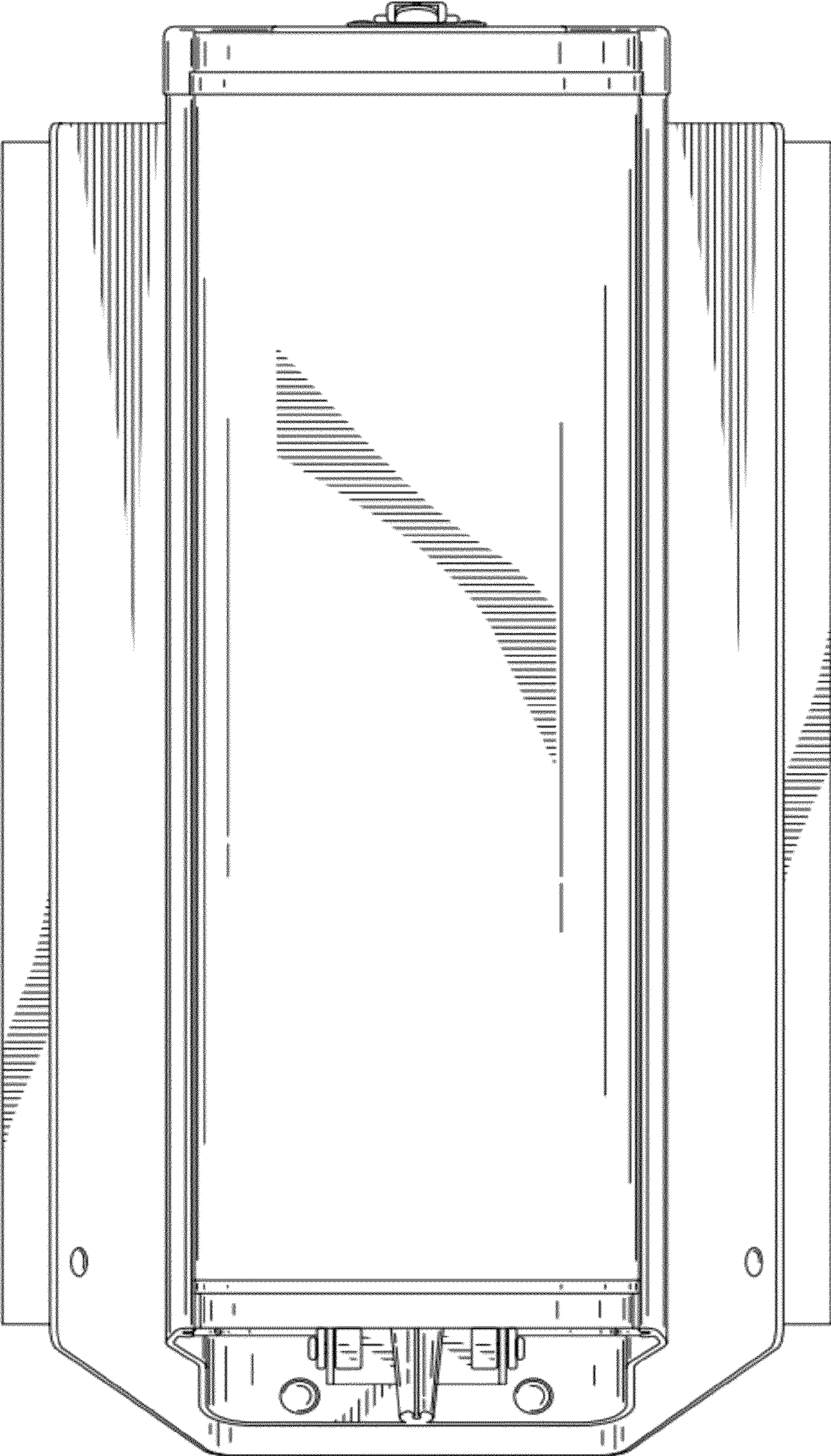


FIG. 7