



US00D671974S

(12) **United States Design Patent**
Wunnicke et al.

(10) **Patent No.:** **US D671,974 S**
(45) **Date of Patent:** **** Dec. 4, 2012**

(54) **BINOCULARS**

(75) Inventors: **Michael Wunnicke**, Sherwood, OR (US); **David D. Lewin**, Portland, OR (US); **Hieu Nguyen**, Vancouver, WA (US)

(73) Assignee: **Leupold & Stevens, Inc.**, Beaverton, OR (US)

(**) Term: **14 Years**

(21) Appl. No.: **29/405,330**

(22) Filed: **Nov. 1, 2011**

(51) **LOC (9) Cl.** **16-06**

(52) **U.S. Cl.** **D16/133**

(58) **Field of Classification Search** D16/133;
359/411-415, 416-420, 804, 809, 816, 835,
359/831; D21/483

See application file for complete search history.

(56) **References Cited**

U.S. PATENT DOCUMENTS

3,312,518	A *	4/1967	Bushnell	359/407
3,484,149	A *	12/1969	Becker et al.	359/414
D223,298	S *	4/1972	Senda et al.	D16/133
D227,705	S *	7/1973	Mizukawa	D16/133
D359,972	S *	7/1995	Takahashi	D16/133
D387,077	S *	12/1997	Lee	D16/133
D395,055	S *	6/1998	Lee	D16/133
D412,177	S *	7/1999	Fujii	D16/133
D468,758	S *	1/2003	Nagaoka	D16/133
D472,257	S *	3/2003	Fujii	D16/133
D473,248	S *	4/2003	Ono	D16/133
D486,507	S *	2/2004	Fujii	D16/133

D492,335	S *	6/2004	Watanabe	D16/133
D492,711	S *	7/2004	Watanabe	D16/133
D503,730	S *	4/2005	Hamamura	D16/133
D523,885	S *	6/2006	Hayashi	D16/133
D532,885	S *	11/2006	Yeargin et al.	D23/344
D551,272	S *	9/2007	Fujii	D16/133
D590,857	S *	4/2009	Fujii	D16/133
D602,059	S *	10/2009	Inaba	D16/133
D623,676	S *	9/2010	Yanagisawa	D16/133
D627,378	S *	11/2010	Watanabe	D16/133
D646,311	S *	10/2011	Hoelbl	D16/133
D652,852	S *	1/2012	Hoelbl	D16/133
D662,119	S *	6/2012	Hoshi et al.	D16/133

* cited by examiner

Primary Examiner — Paula Greene

(74) *Attorney, Agent, or Firm* — Stoel Rives LLP

(57) **CLAIM**

We claim the ornamental design for binoculars, as shown and described.

DESCRIPTION

FIG. 1 is an isometric view of binoculars, according to one embodiment;

FIG. 2 is a top plan view of the binoculars of FIG. 1;

FIG. 3 is a left side view of the binoculars of FIG. 1;

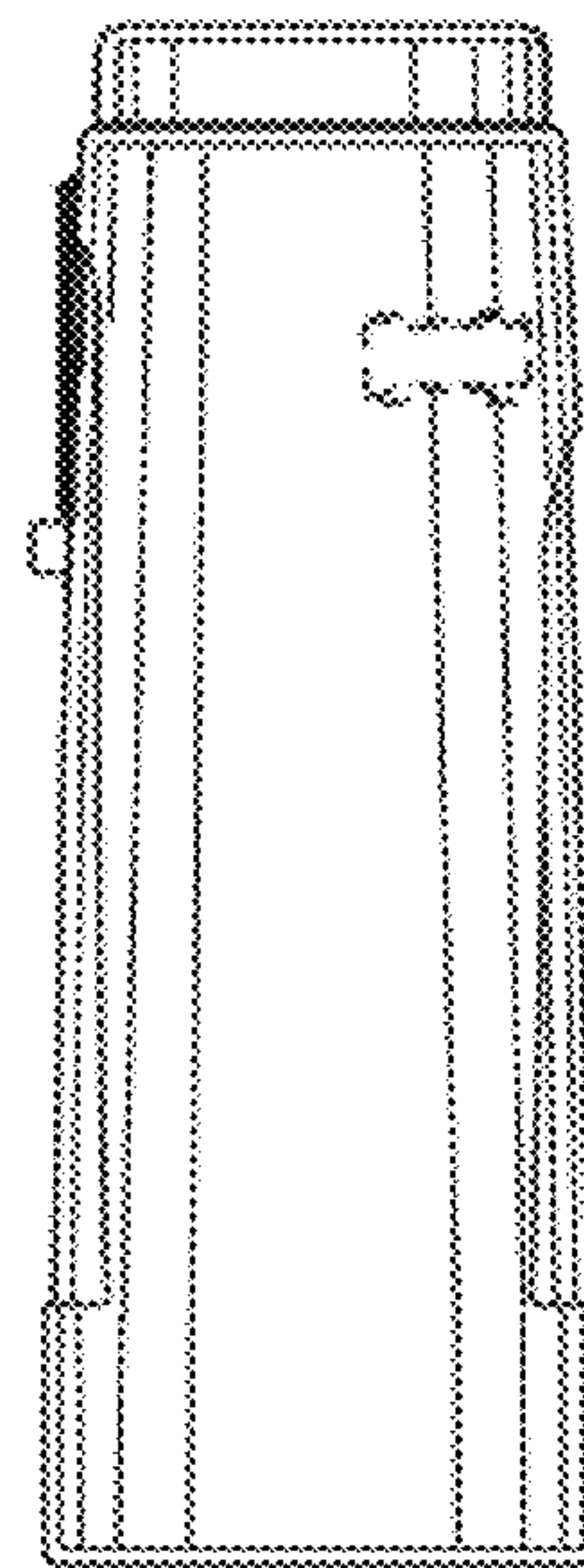
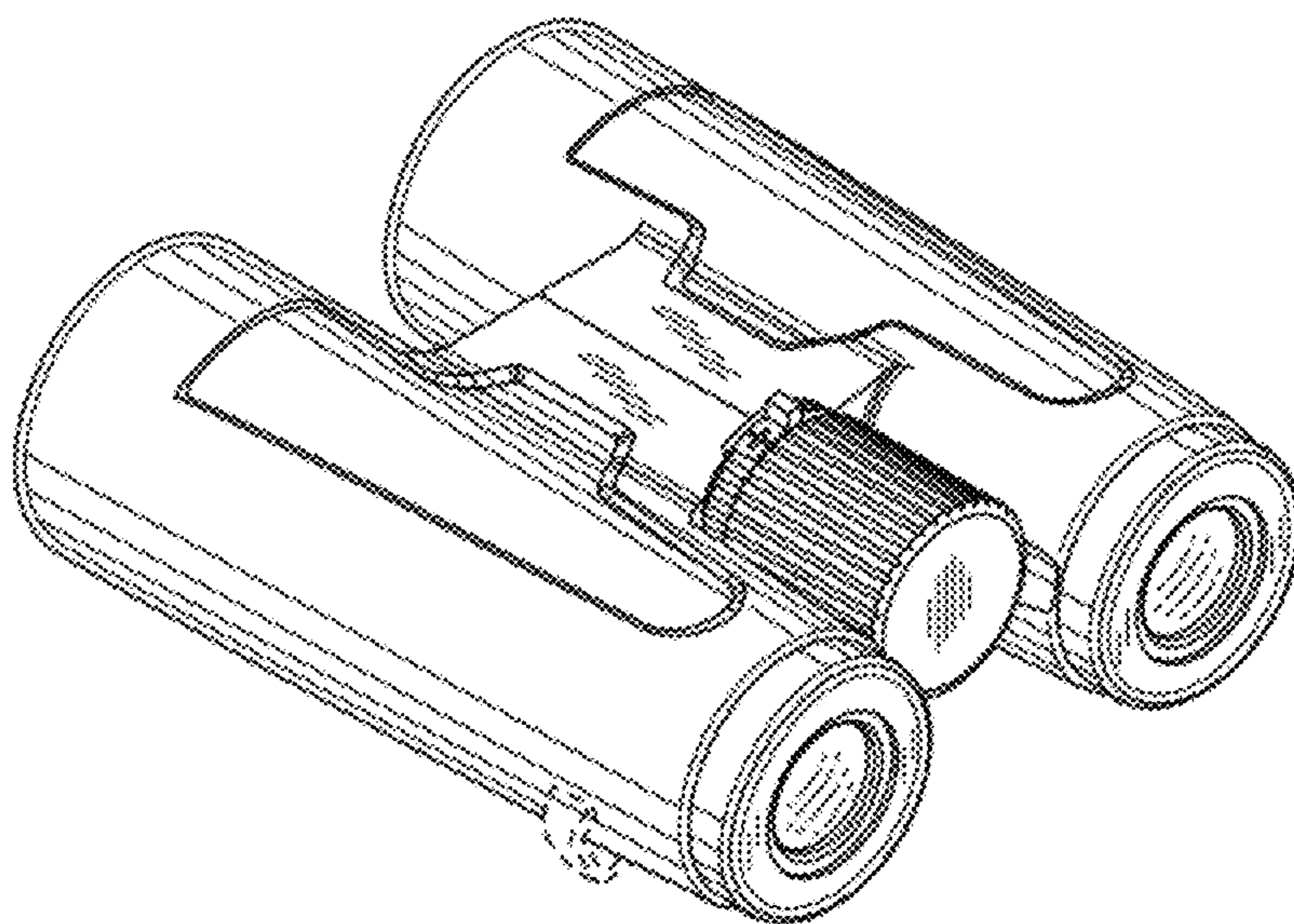
FIG. 4 is an eyepiece-end elevation view of the binoculars of FIG. 1;

FIG. 5 is a bottom plan view of the binoculars of FIG. 1; and,

FIG. 6 is an objective-end elevation view of the binoculars of FIG. 1.

In the figures, the broken lines showing strap-attachment loops are illustrative of environmental structure that forms no part of the claimed design.

1 Claim, 2 Drawing Sheets



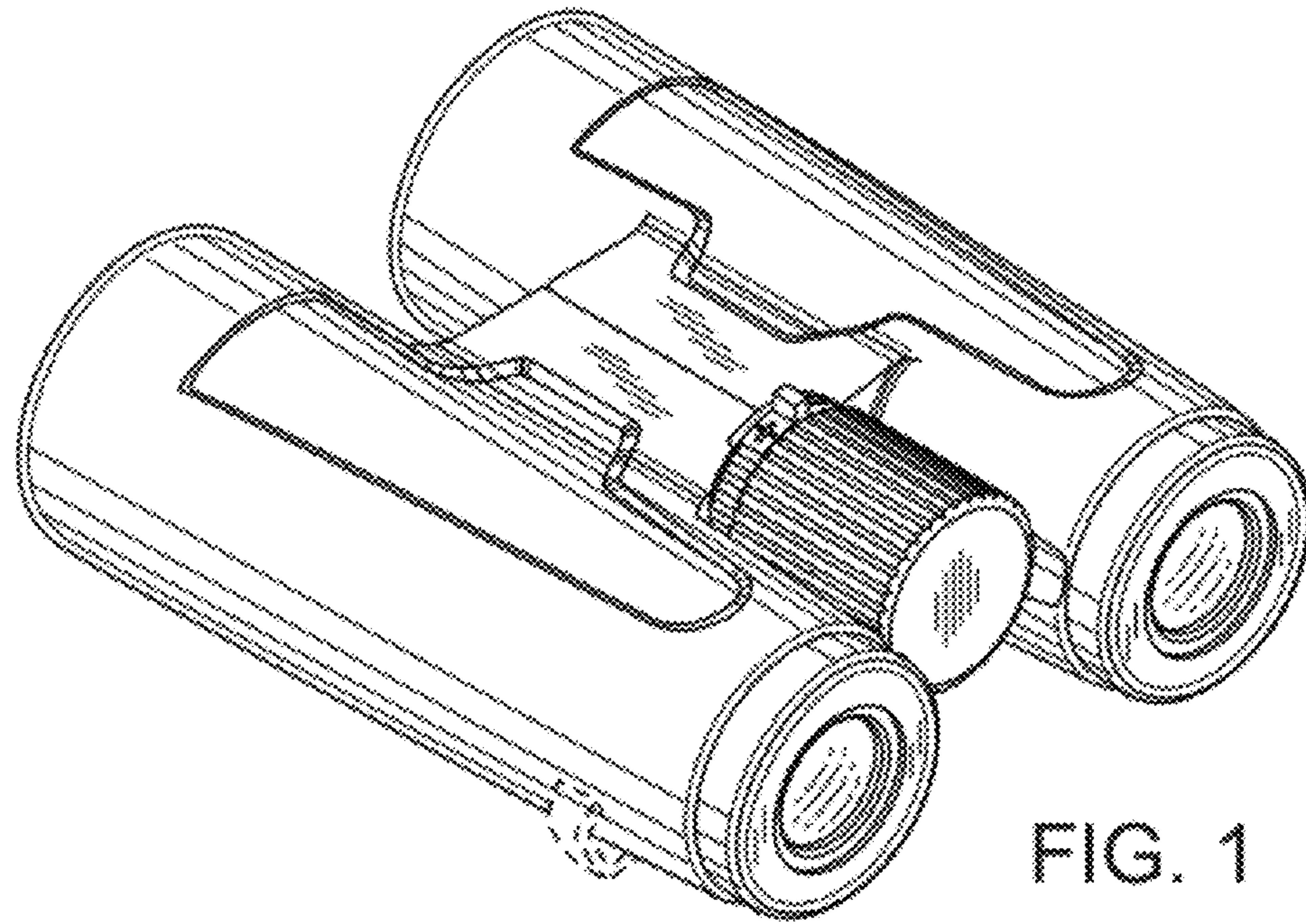


FIG. 1

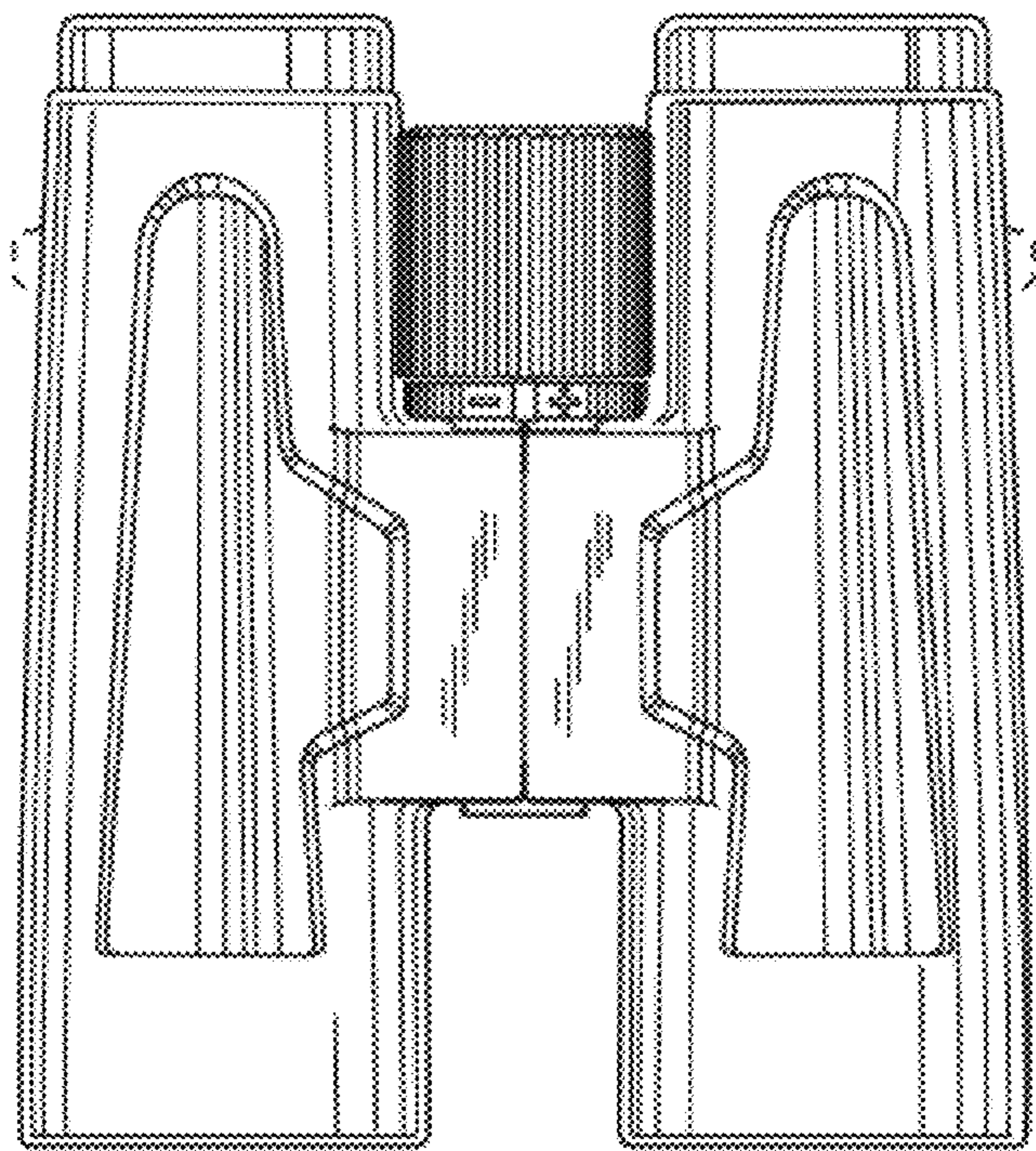


FIG. 2

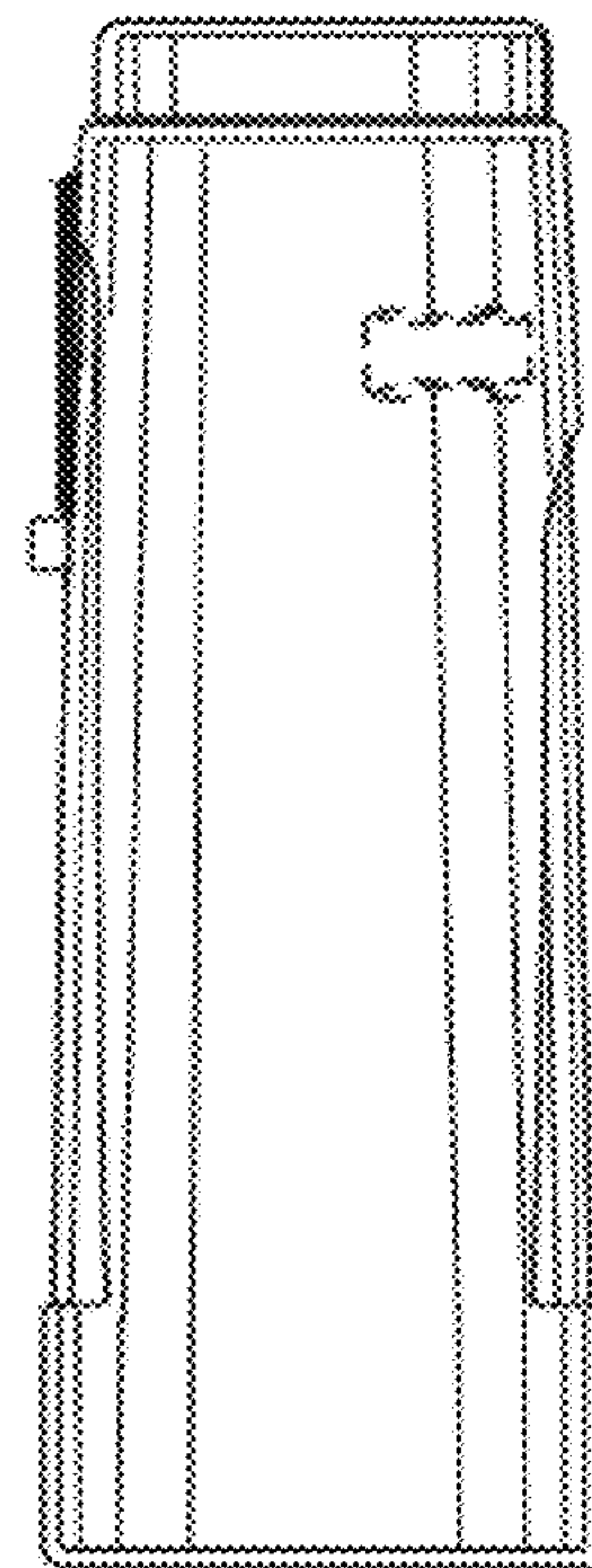


FIG. 3

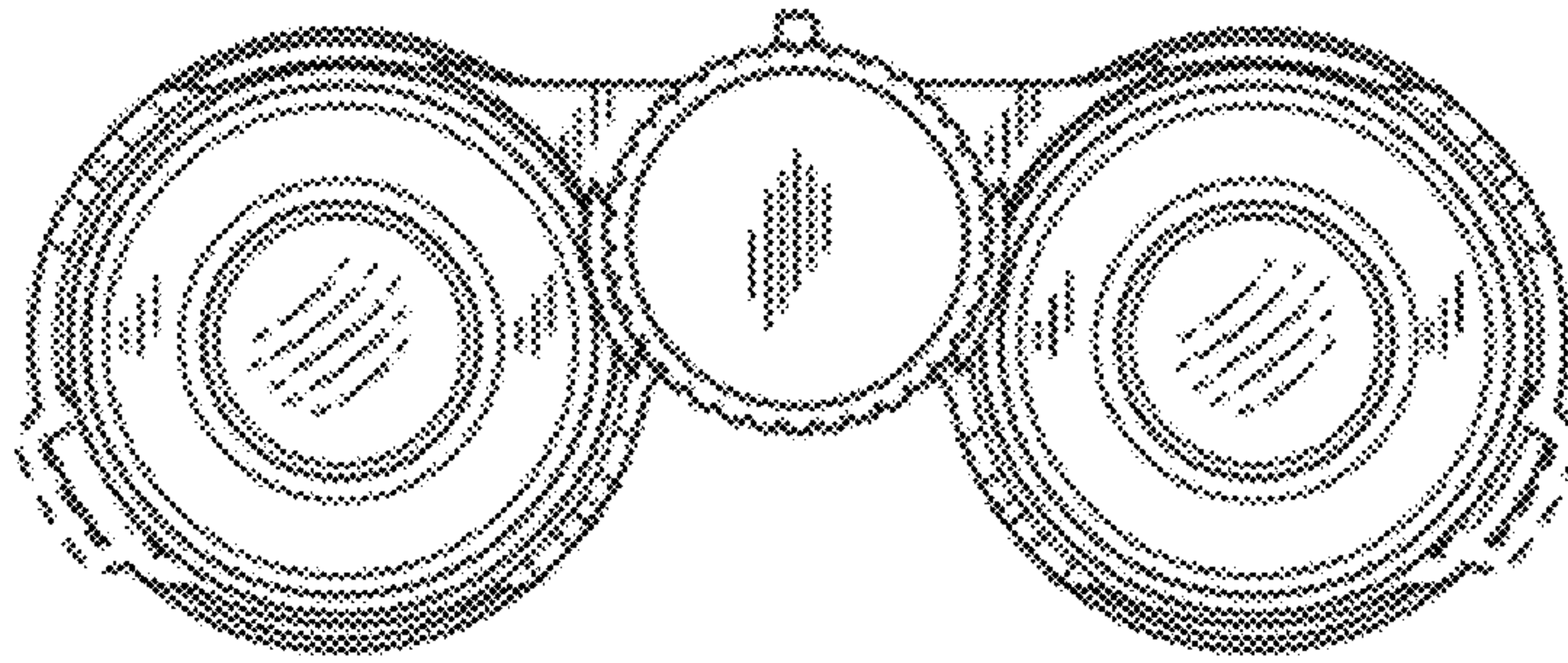


FIG. 4

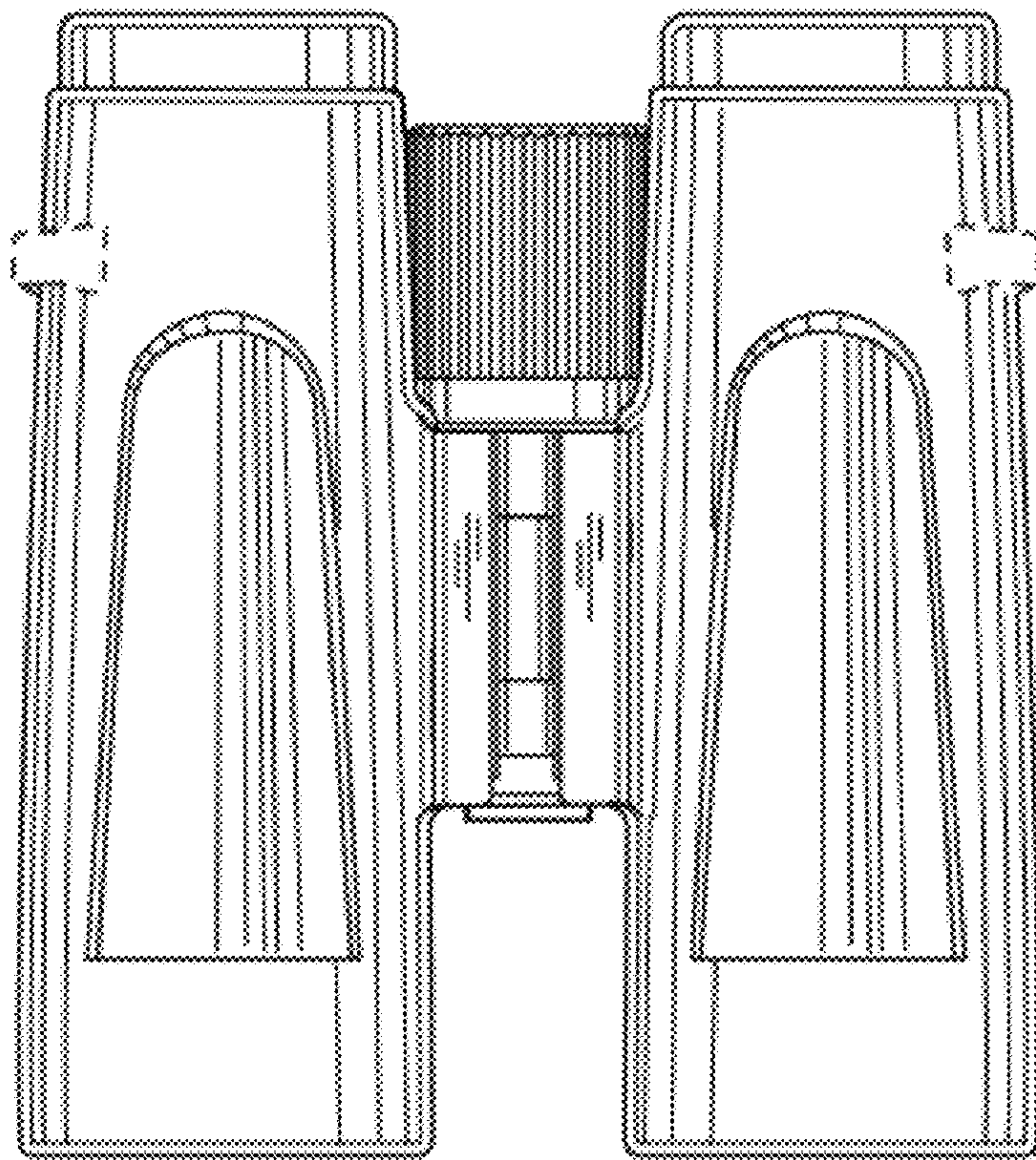


FIG. 5

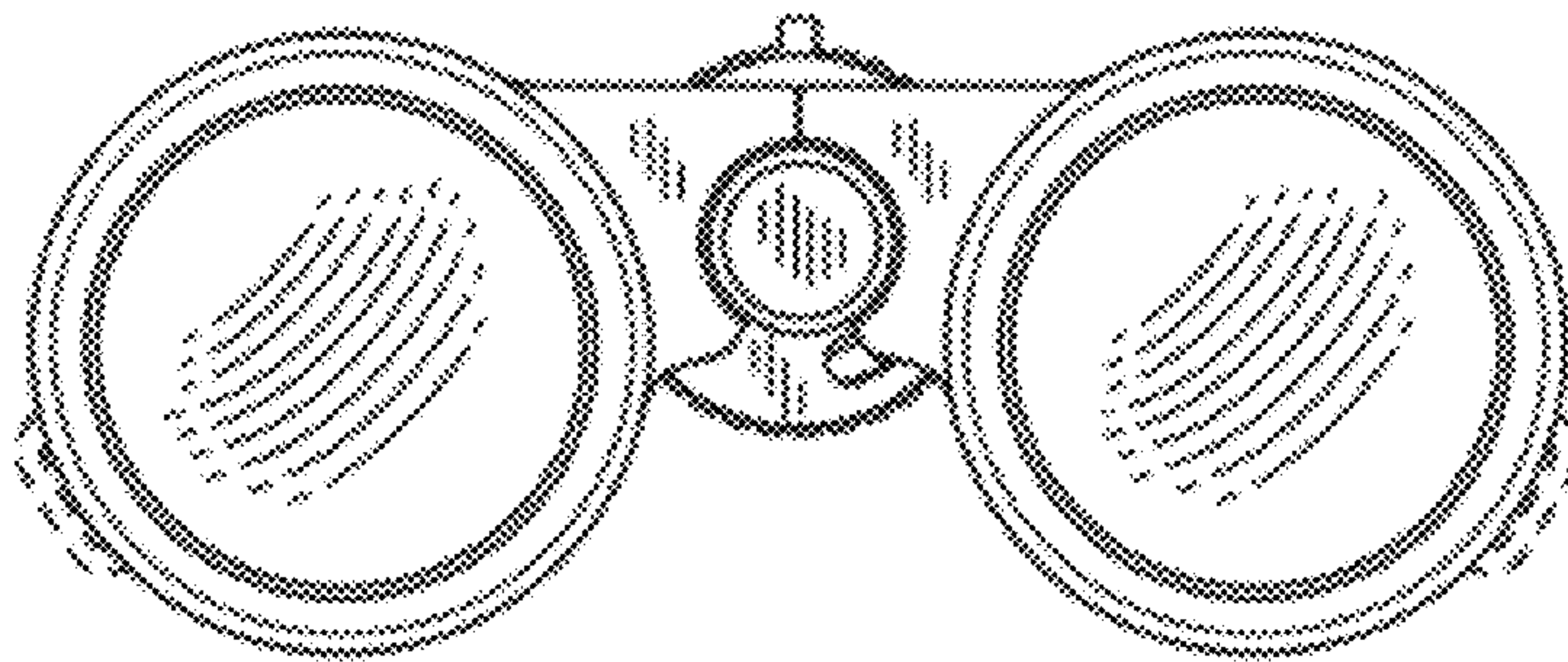


FIG. 6