



US00D671964S

(12) **United States Design Patent**  
**Hong et al.**

(10) **Patent No.:** **US D671,964 S**  
(45) **Date of Patent:** **\*\* Dec. 4, 2012**

(54) **REFRIGERATOR**

(75) Inventors: **Jidam Hong**, Seoul (KR); **Hea Me Lee**,  
Seoul (KR); **Young Shin Shim**, Seoul  
(KR)

(73) Assignee: **Samsung Electronics Co., Ltd.**,  
Gyeonggi-do (KR)

(\*\*) Term: **14 Years**

(21) Appl. No.: **29/405,531**

(22) Filed: **Nov. 3, 2011**

(51) **LOC (9) Cl.** ..... **15-07**

(52) **U.S. Cl.** ..... **D15/86**

(58) **Field of Classification Search** ..... D15/79,  
D15/81, 85-88, 91; 62/3.6-3.64, 293, 331,  
62/371, 440-445, 468; 312/112-119, 236,  
312/400-408

See application file for complete search history.

(56) **References Cited**

**U.S. PATENT DOCUMENTS**

D540,832 S \* 4/2007 Wang et al. .... D15/86  
D578,555 S \* 10/2008 Yeo et al. .... D15/85

D594,886 S \* 6/2009 Wang et al. .... D15/86  
D614,209 S \* 4/2010 Kristiansen et al. .... D15/86  
D615,109 S \* 5/2010 Yang et al. .... D15/86  
D616,000 S \* 5/2010 Yang et al. .... D15/86  
D616,001 S \* 5/2010 Yang et al. .... D15/86  
D625,342 S \* 10/2010 Seo et al. .... D15/85  
D633,114 S \* 2/2011 Seo et al. .... D15/86  
D641,384 S \* 7/2011 Yang et al. .... D15/86  
D660,325 S \* 5/2012 Yang et al. .... D15/86

\* cited by examiner

*Primary Examiner* — Mitchell Siegel

(74) *Attorney, Agent, or Firm* — Harness, Dickey & Pierce

(57) **CLAIM**

We claim the ornamental design for a refrigerator, as shown.

**DESCRIPTION**

FIG. 1 is a front/right-side/top perspective view of a refrigerator showing our new design;  
FIG. 2 is a front-side elevational view thereof;  
FIG. 3 is a rear-side elevational view thereof;  
FIG. 4 is a left-side elevational view thereof;  
FIG. 5 is a right-side elevational view thereof;  
FIG. 6 is a top-side elevational view thereof; and,  
FIG. 7 is a bottom-side elevational view thereof.

**1 Claim, 6 Drawing Sheets**

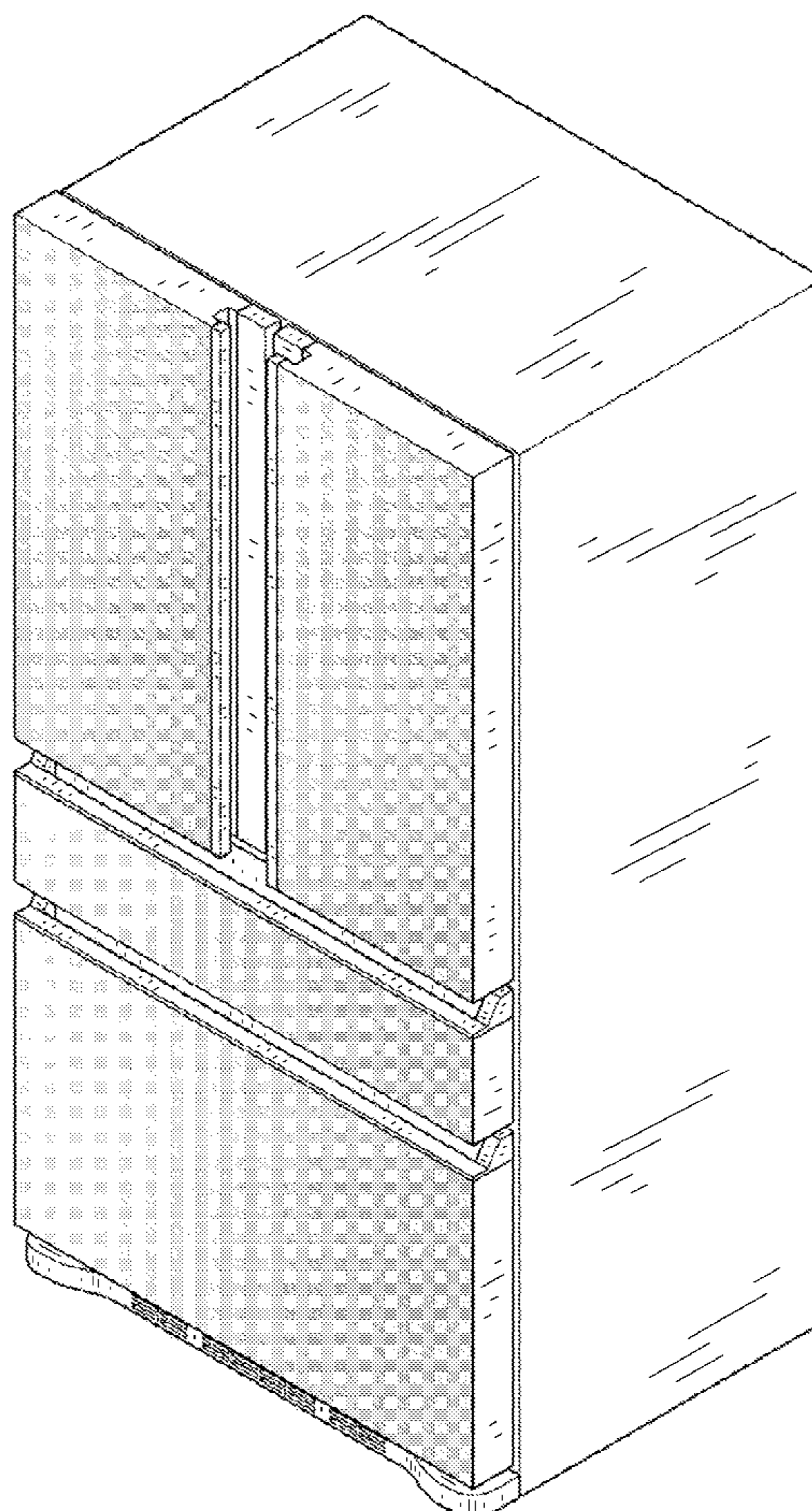


FIG. 1

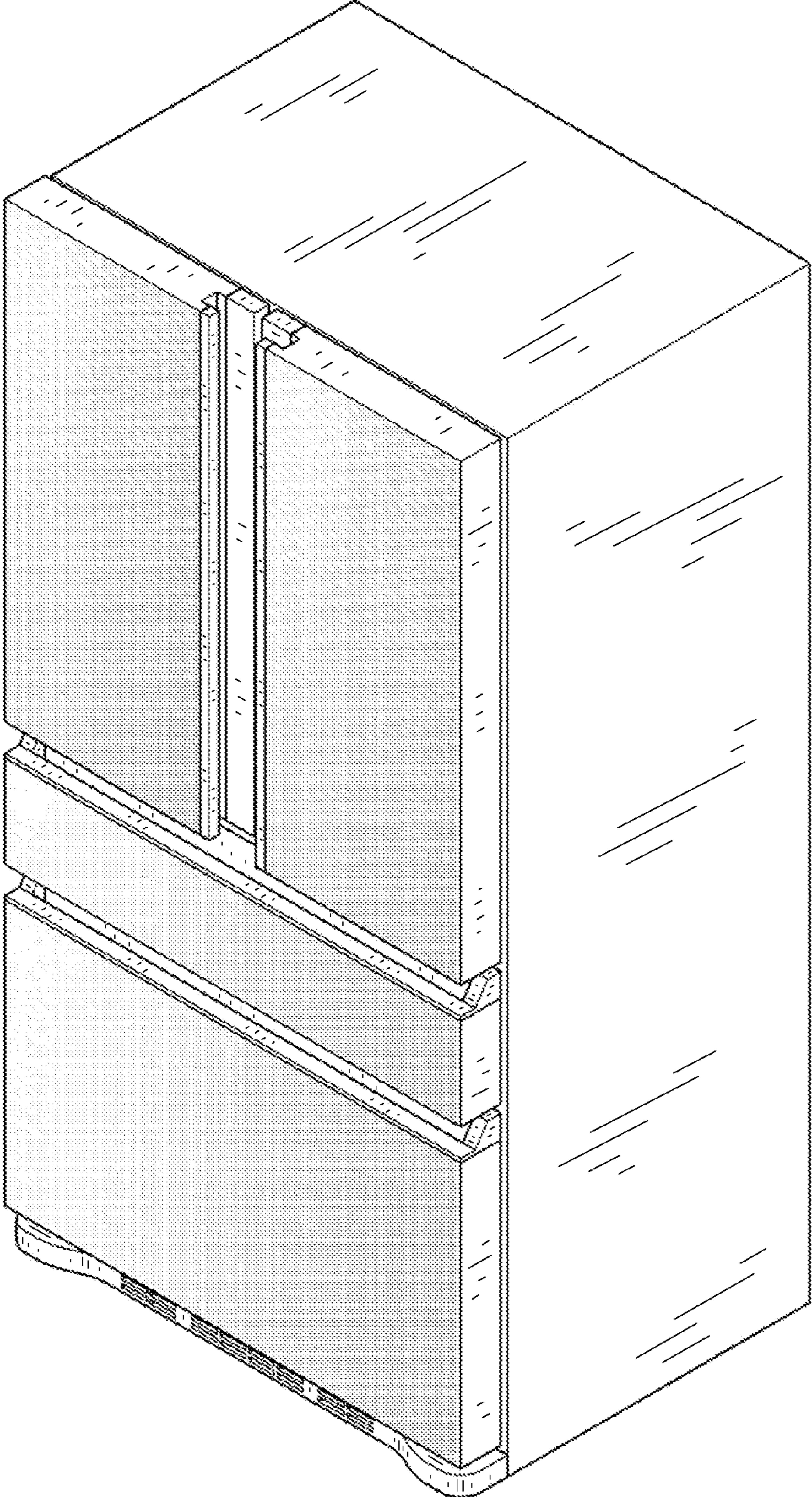


FIG. 2

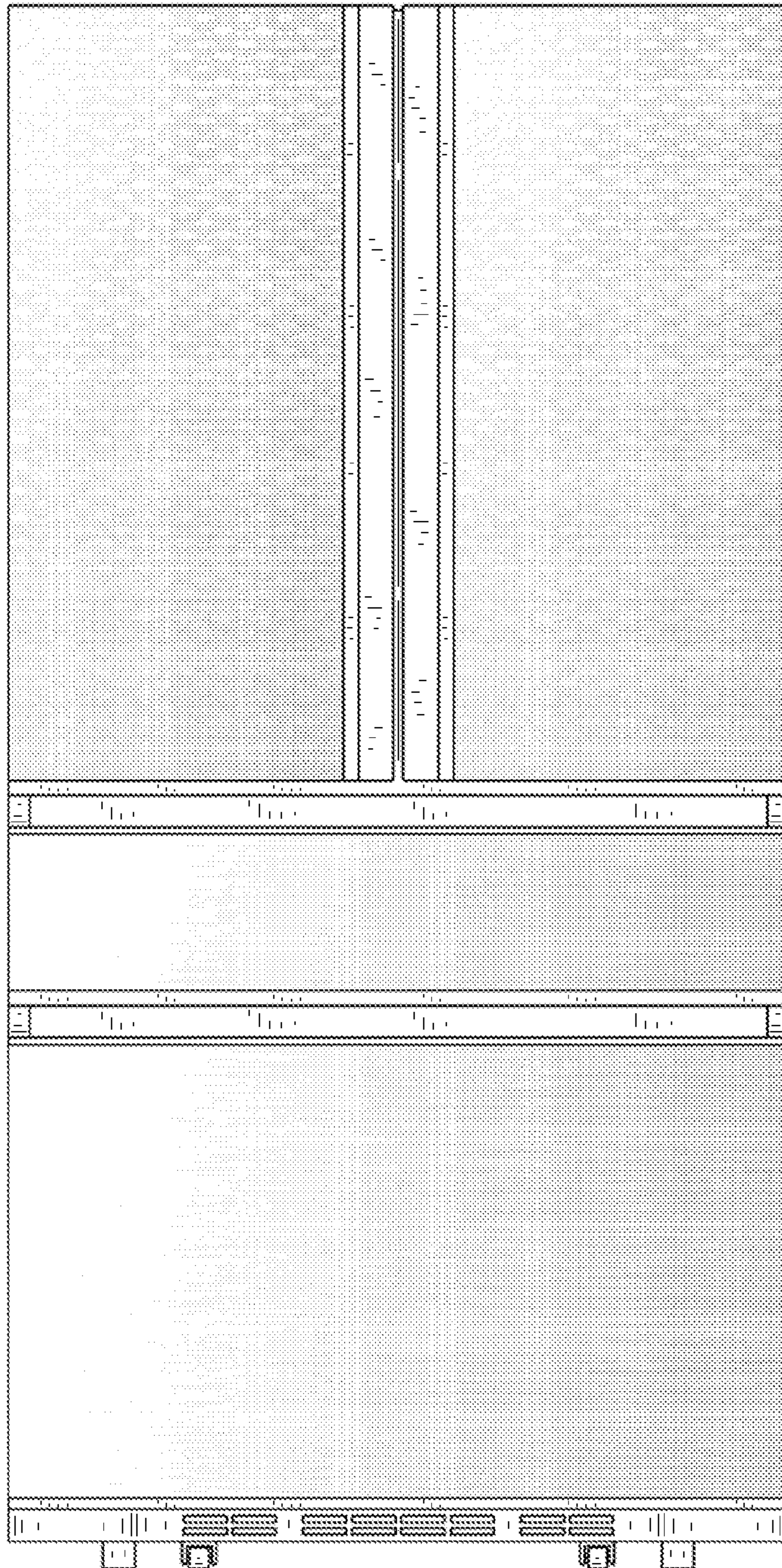


FIG. 3

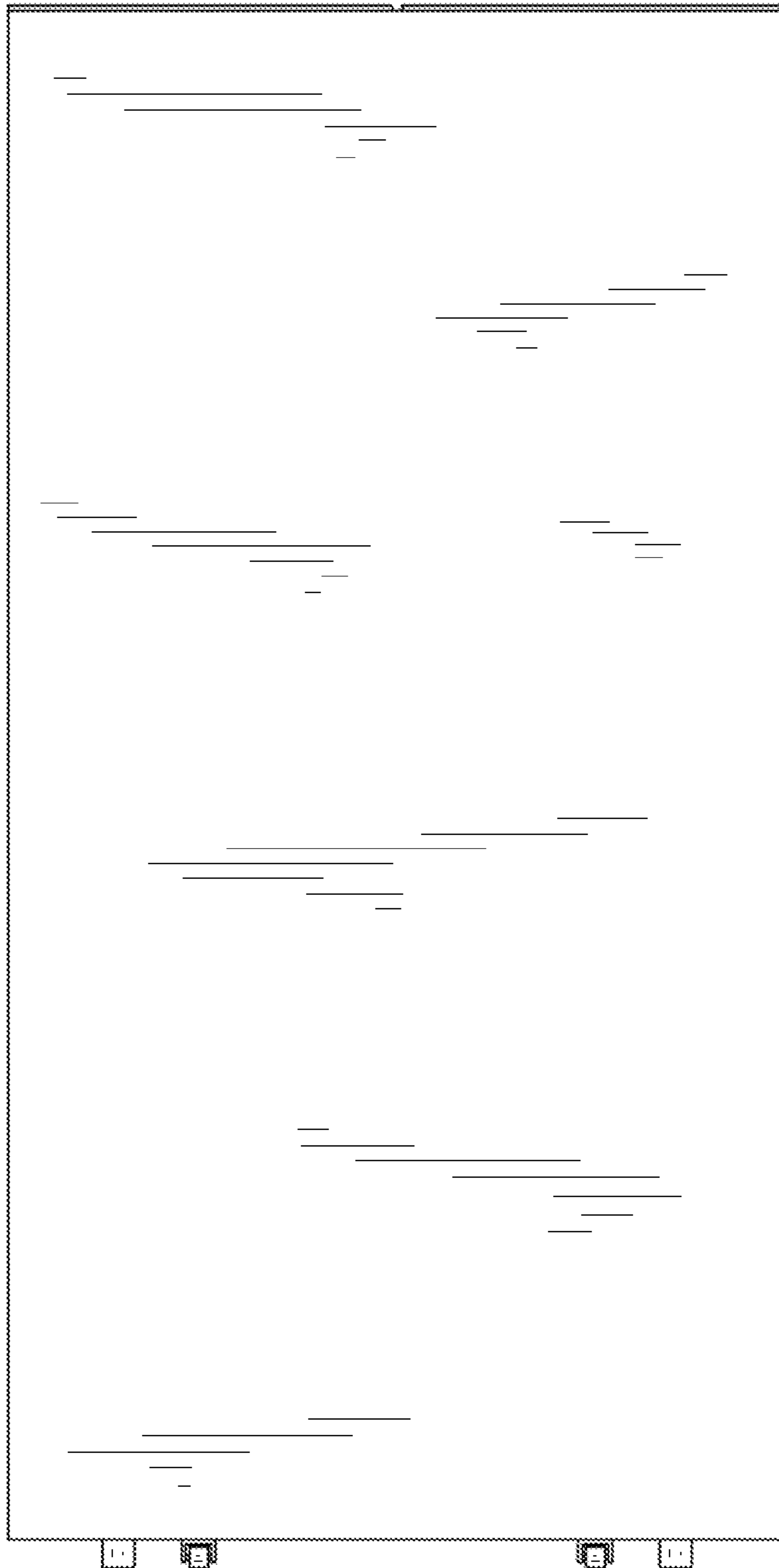


FIG. 4

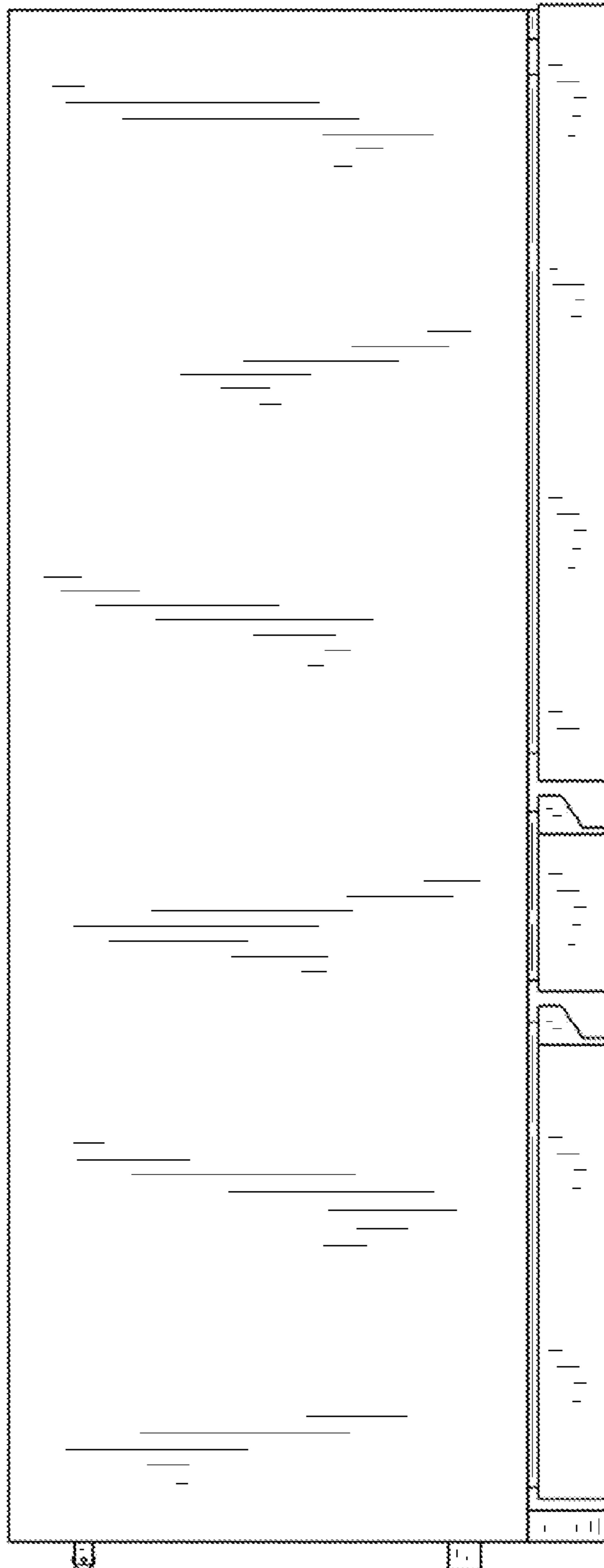


FIG. 5

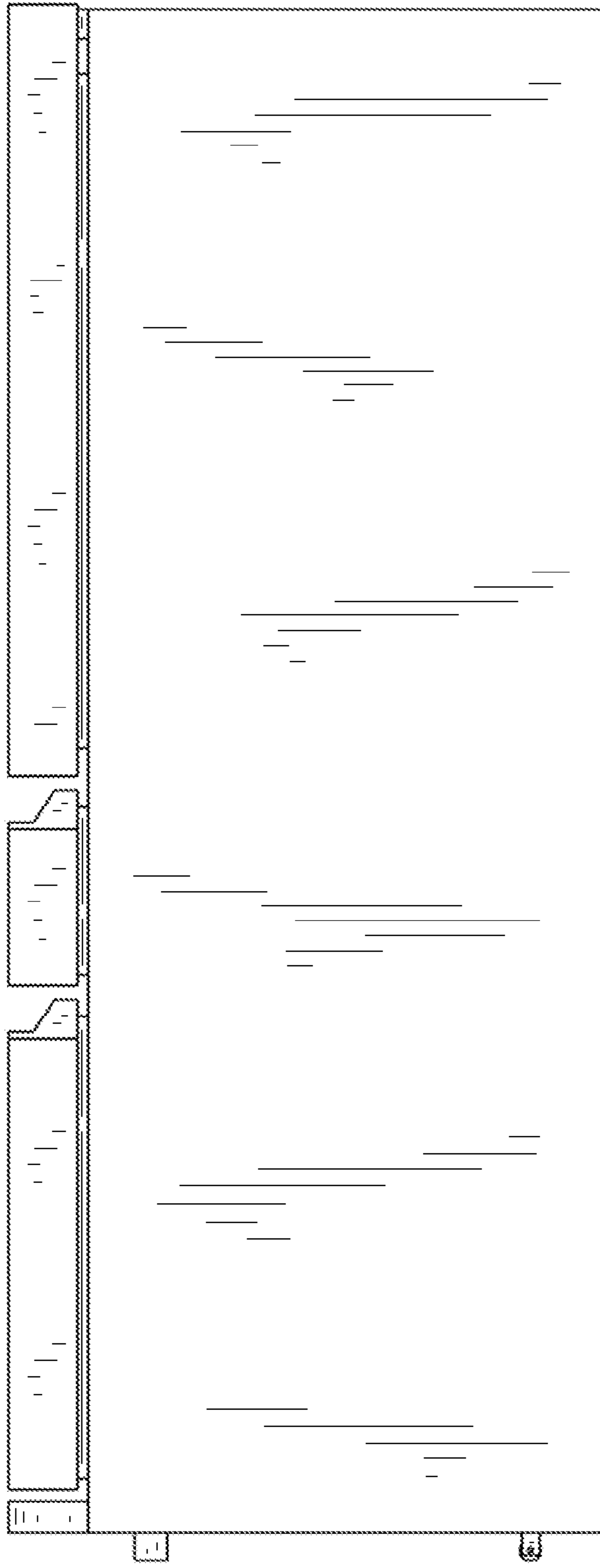


FIG. 6

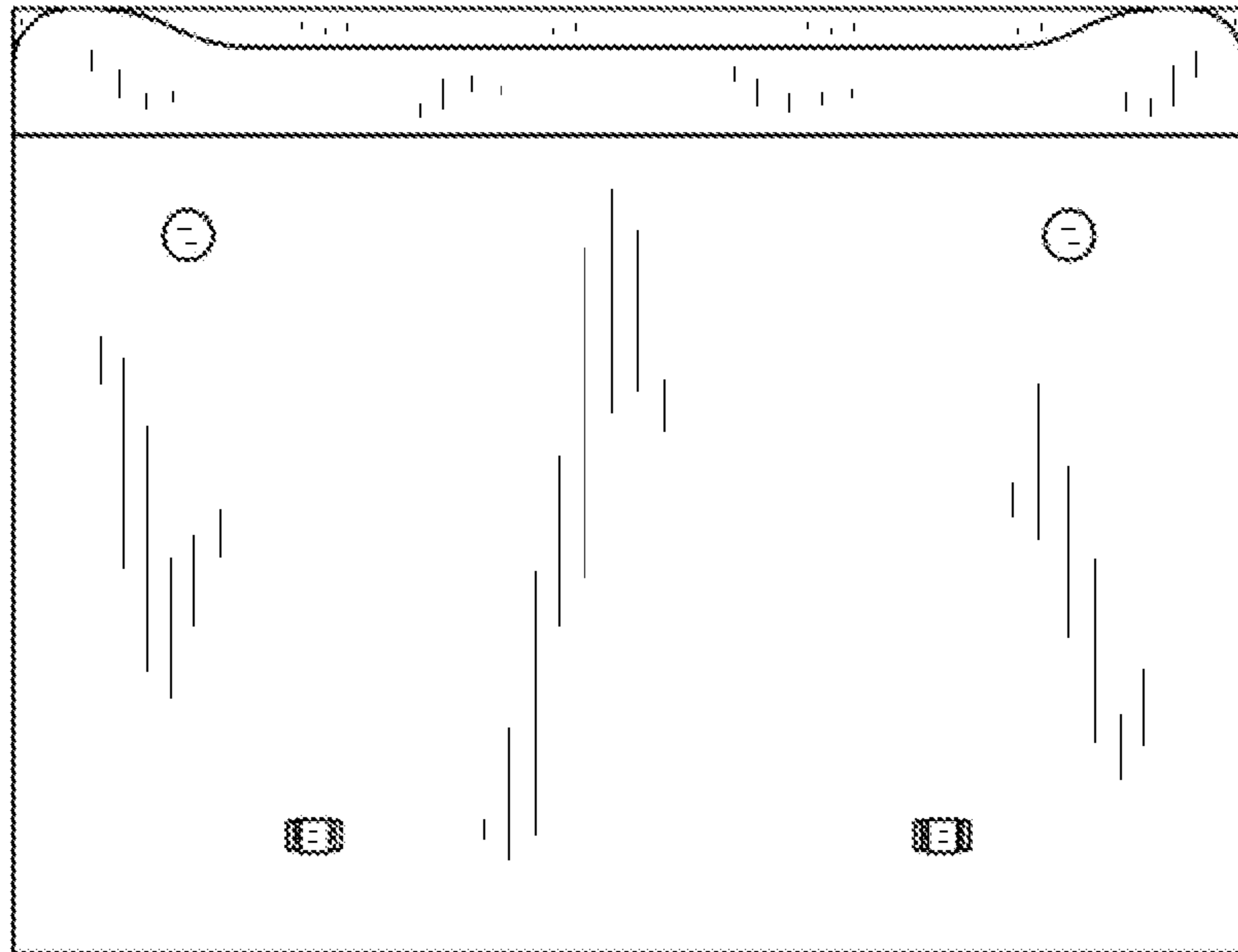


FIG. 7

