



US00D671961S

(12) **United States Design Patent**  
**Elmeke**

(10) **Patent No.:** **US D671,961 S**

(45) **Date of Patent:** **\*\* Dec. 4, 2012**

(54) **SEWING MACHINE**

*Primary Examiner* — Mitchell Siegel

(76) Inventor: **Ari Elmeke**, Huskvarna (SE)

(\*\*) Term: **14 Years**

(57) **CLAIM**

The ornamental design for a sewing machine, as shown.

(21) Appl. No.: **29/404,293**

(22) Filed: **Oct. 18, 2011**

(51) **LOC (9) Cl.** ..... **15-06**

(52) **U.S. Cl.** ..... **D15/69**

(58) **Field of Classification Search** ..... D15/66-78;  
112/258-261, 217.1-217.4

See application file for complete search history.

**DESCRIPTION**

FIG. 1 is a side perspective view of the sewing machine;  
FIG. 2 is a front view thereof;  
FIG. 3 is a back view thereof;  
FIG. 4 is a left side view thereof;  
FIG. 5 is a right side view thereof;  
FIG. 6 is a top view thereof; and  
FIG. 7 is a bottom view thereof.

The broken lines shown in FIGS. 1-7 show environmental structure and form no part of the claimed design.

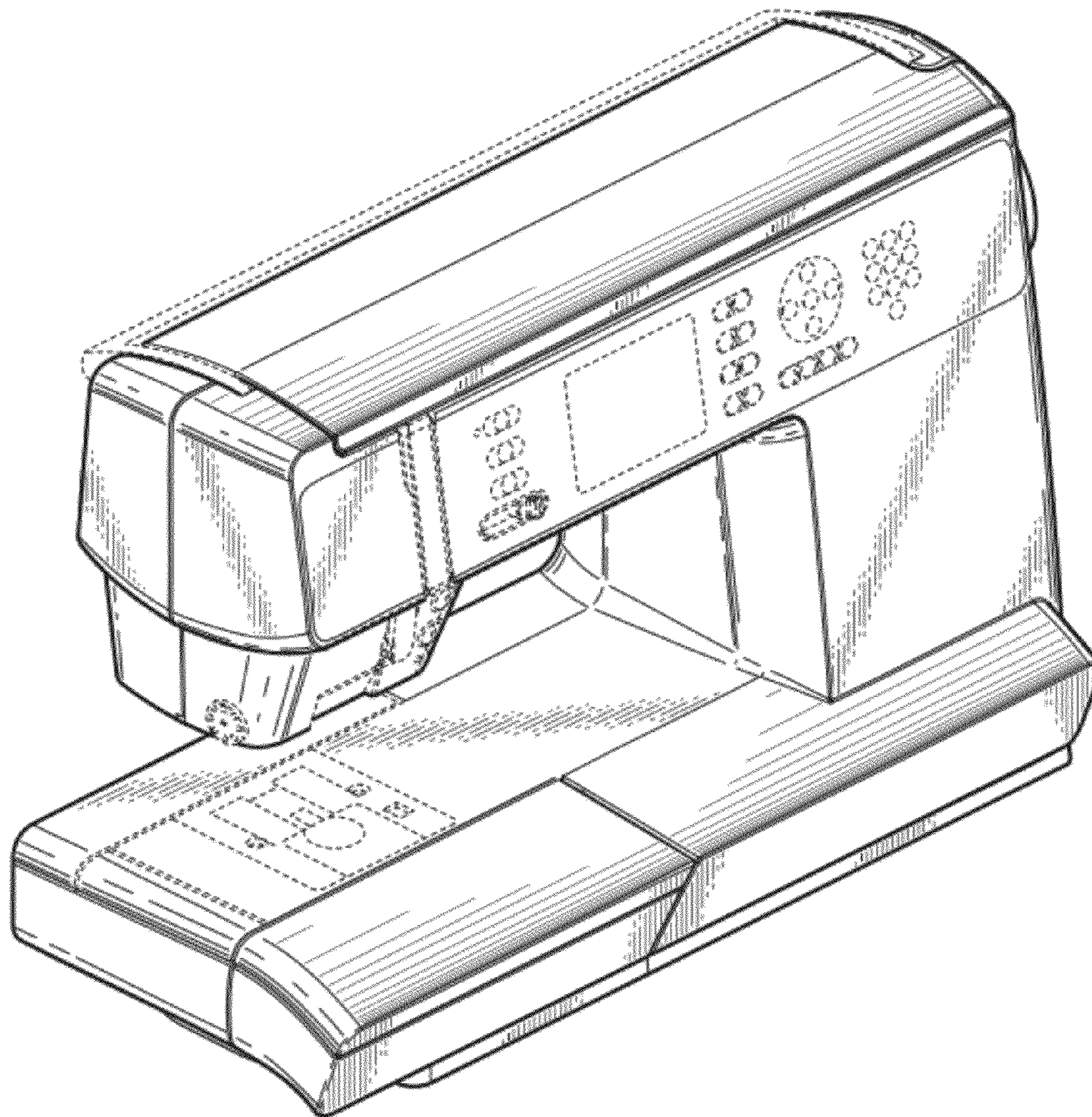
(56) **References Cited**

**U.S. PATENT DOCUMENTS**

D265,737 S *	8/1982	Kuroki	.....	D15/70
D289,877 S *	5/1987	Yoneda	.....	D15/69
D292,588 S *	11/1987	Uchida	.....	D15/69
D524,829 S *	7/2006	Muto	.....	D15/69

\* cited by examiner

**1 Claim, 6 Drawing Sheets**



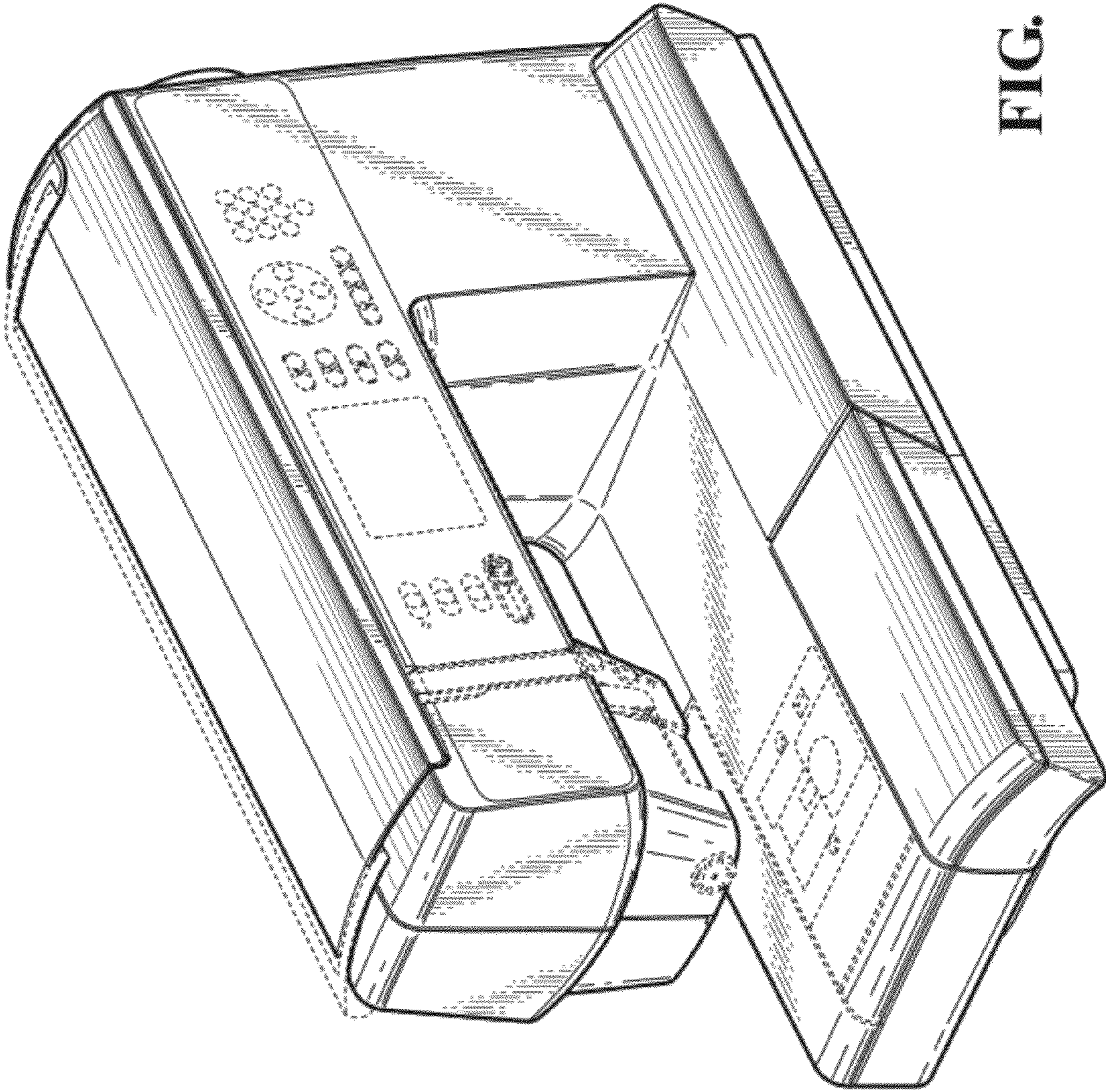


FIG. 1

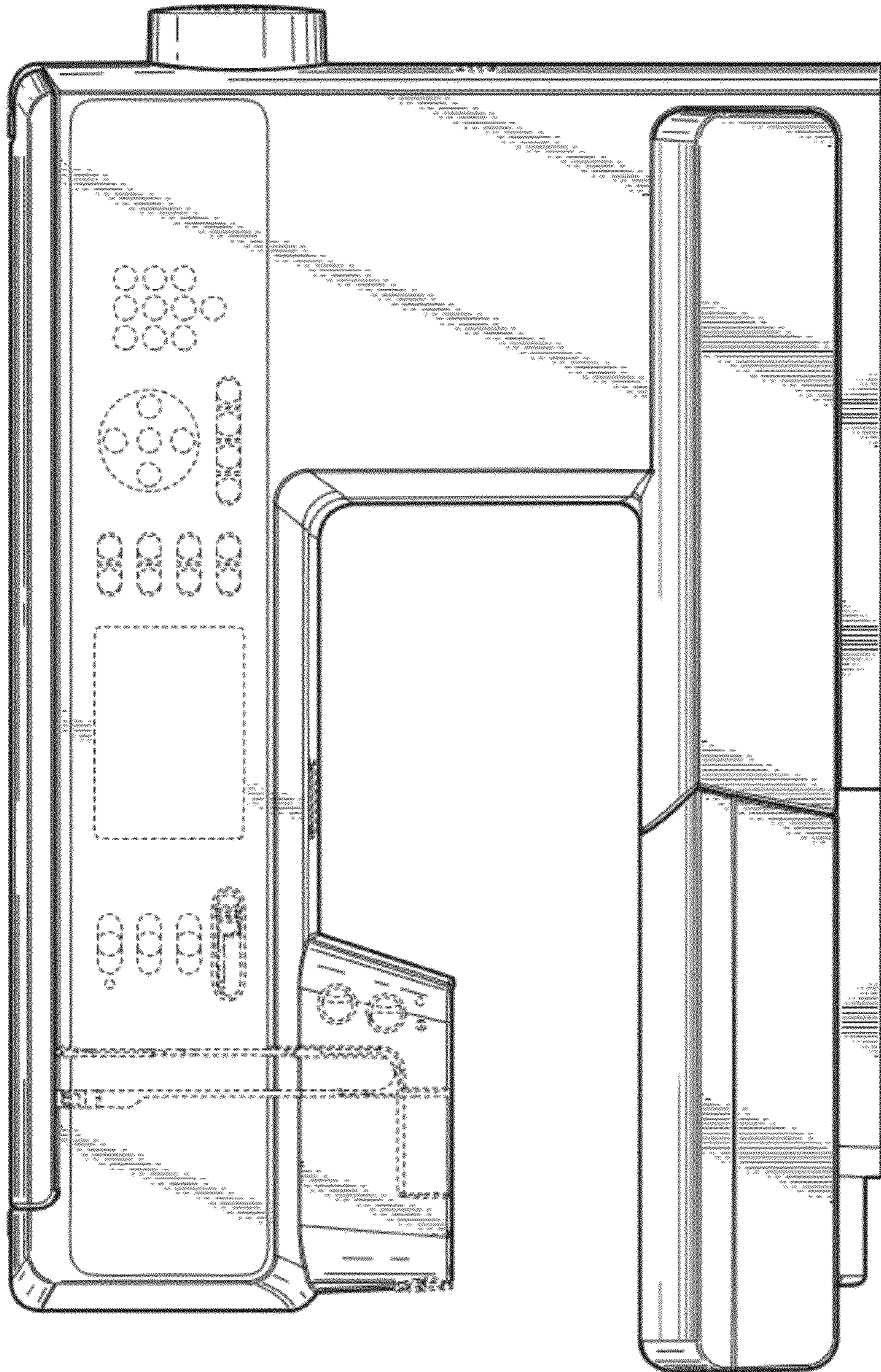


FIG. 2

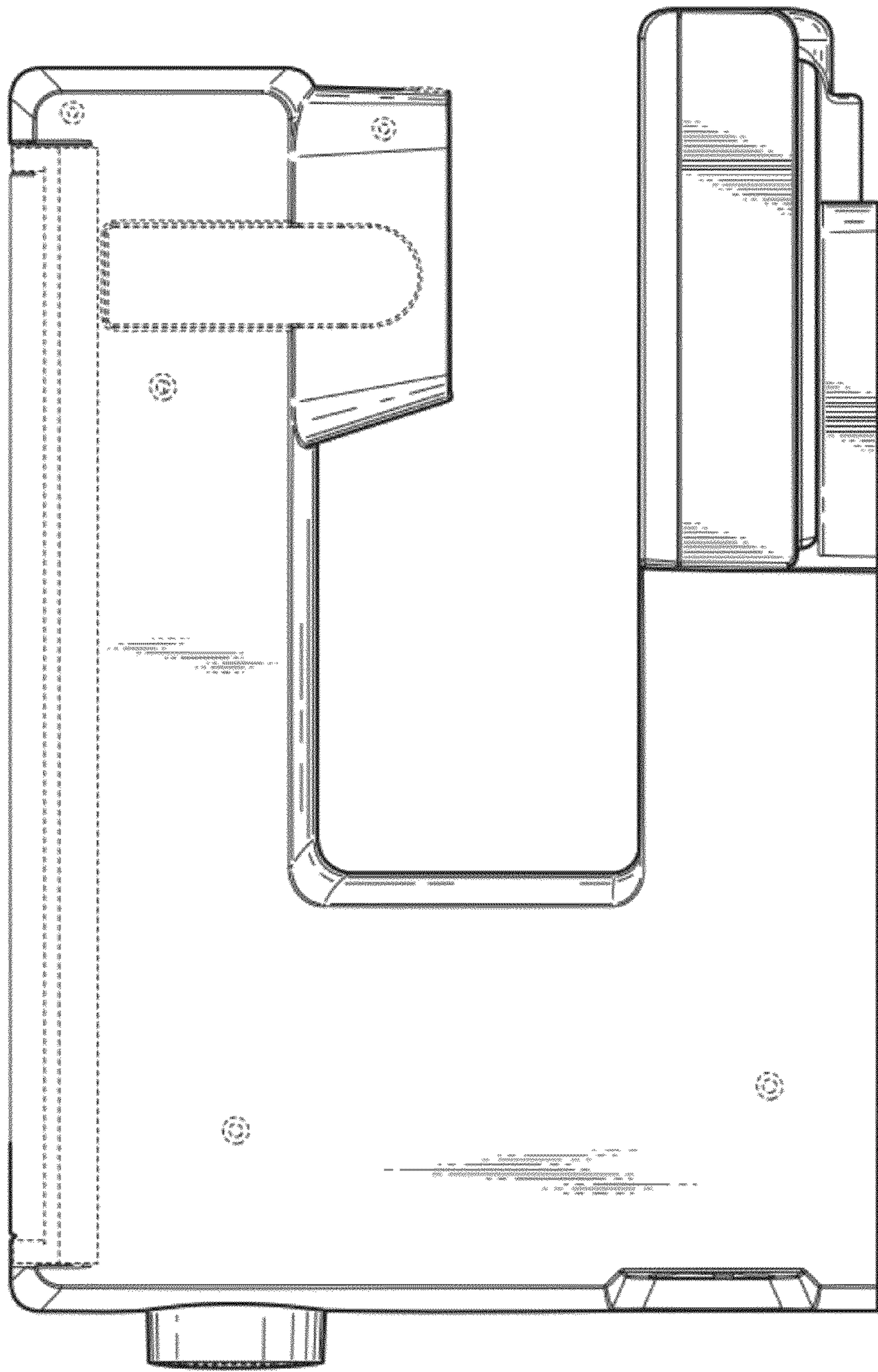


FIG. 3

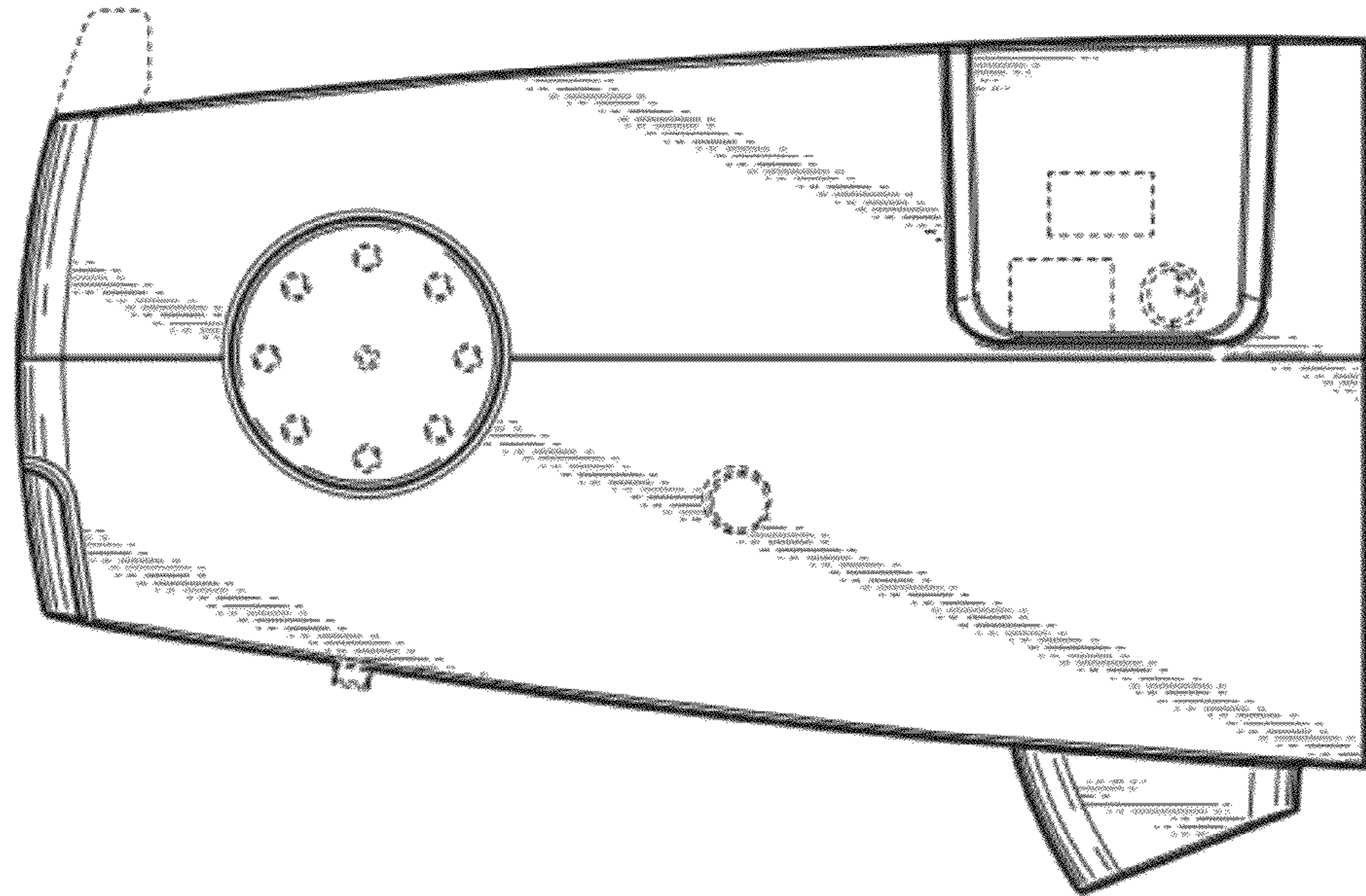


FIG. 5

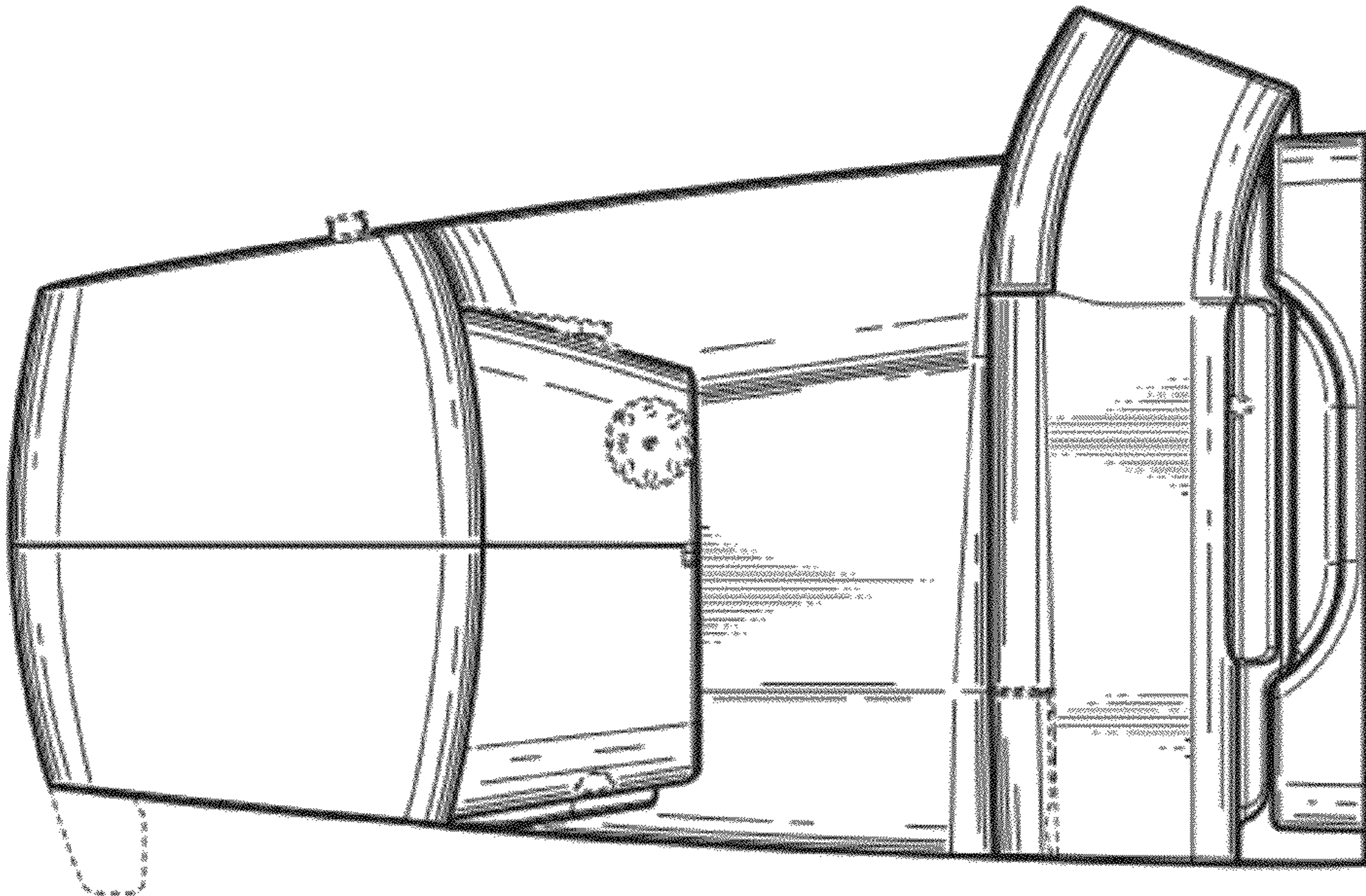


FIG. 4

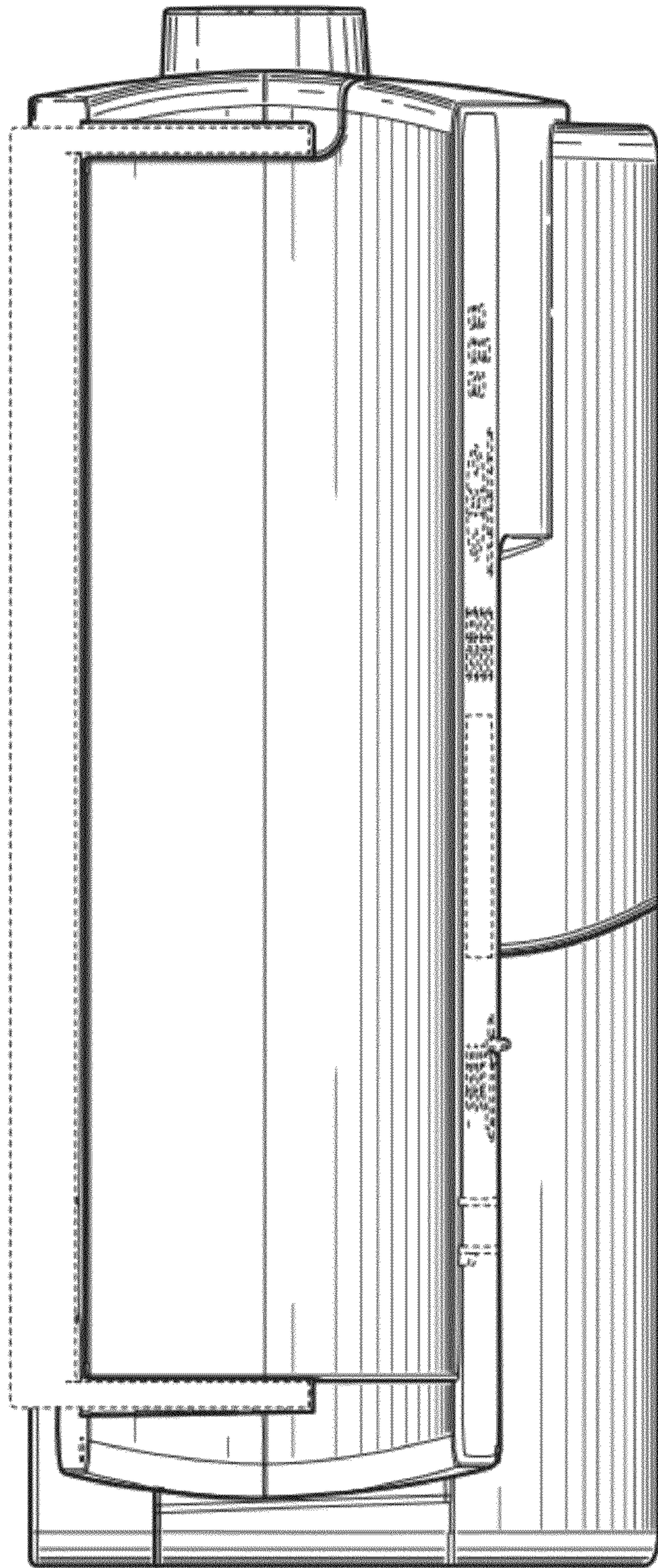


FIG. 6

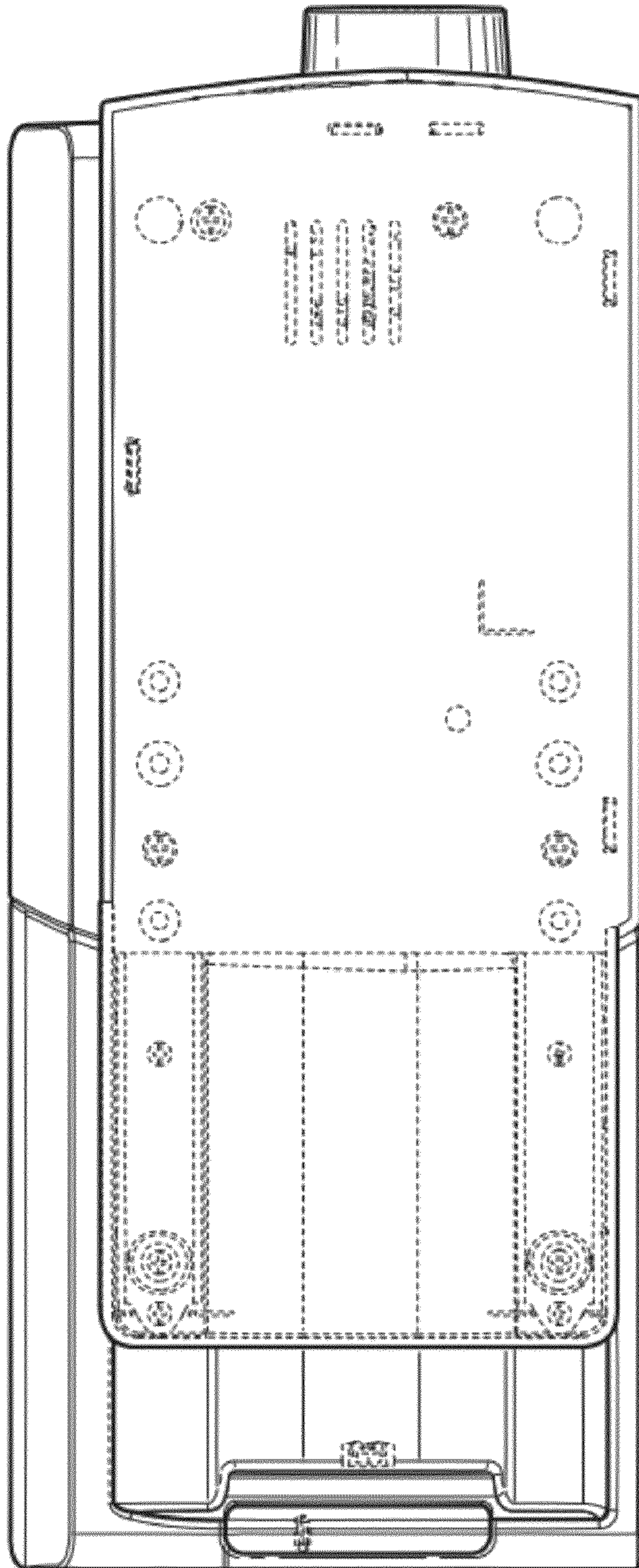


FIG. 7